



9Y0012702ABC

Porsche Mobile Charger Connect

9Y0.012.702.A.B.C



**Porsche Mobile Charger Connect**

9Y0.012.702.A.B.C

06/2022

Porsche, the Porsche Crest, Panamera, Cayenne and Taycan are registered trademarks of Dr. Ing. h.c. F. Porsche AG.

Printed in Germany.

Reprinting – even of excerpts – or duplication of any kind are only permissible with the written authorisation of Dr. Ing. h.c. F. Porsche AG.

© Dr. Ing. h.c. F. Porsche AG

Porscheplatz 1  
70435 Stuttgart  
Germany

## Operating Manual

Always keep this operating manual and hand it over to the new owner if you sell your charger.

Due to different requirements in various countries, the information in the thumb index tabs of this manual will be different. To ensure that you are reading

the thumb index tab that applies to your country, compare the article number of the charger shown in the “Technical Data” section with the article number on the identification plate on the charger.

## Suggestions

Do you have any questions, suggestions or ideas regarding your vehicle or this manual?  
Please write to us:

Dr. Ing. h.c. F. Porsche AG  
Vertrieb Customer Relations  
Porscheplatz 1  
70435 Stuttgart  
Germany

## Equipment

Because our vehicles undergo continuous development, equipment and specifications may not be as illustrated or described by Porsche in this manual. Items of equipment are not always according to the standard scope of delivery or country-specific vehicle equipment

For more information on retrofit equipment, please contact a qualified specialist workshop. Porsche recommends a Porsche partner as they have trained workshop personnel and the necessary parts and tools.

Because of different legal requirements in individual countries, the equipment in your vehicle may vary from what is described in this manual. If your Porsche is fitted with any equipment not described in this manual, your qualified specialist workshop will be glad to provide information on the correct operation and care of the items concerned.

EN	Porsche Mobile Charger Connect Good to Know – Owner’s Manual . . . . .	2
FR	Porsche Mobile Charger Connect Bon à savoir – Manuel du propriétaire . . . . .	45
ES	Porsche Mobile Charger Connect Es bueno saberlo: Manual del propietario . . . . .	91
PT	Porsche Mobile Charger Connect É bom saber – Manual do proprietário . . . . .	137
TR	Porsche Mobile Charger Connect Bilmeniz gerekenler – Sürücü El Kitabı . . . . .	181
RU	Porsche Mobile Charger Connect Полезно знать — руководство . . . . .	224
UK	Мобільний зарядний пристрій Porsche Connect Корисна інформація – посібник . . . . .	271
VI	Thiết bị kết nối bộ sạc di động cao cấp của Porsche Điều cần biết – Hướng dẫn sử dụng dành cho người lái . . . . .	316
HE	Porsche Mobile Charger Connect הוראות הפעלה לנהג – טוב לדעת . . . . .	361
AR	Porsche Mobile Charger Connect أشياء من المفيد معرفتها - دليل السائق . . . . .	404
JA	ポルシェ モバイルチャージャー コネクト Good to know - 取扱説明書 . . . . .	447
KO	Porsche Mobile Charger Connect Good to know - 사용 설명서 . . . . .	488
ZH	保时捷移动充电器连接系统 保时捷 – 车主指南 – 驾驶手册 . . . . .	527
ZH	保时捷移动充电 Connect 装置 Good to know – 车主手册 . . . . .	564
TH	Porsche Mobile Charger Connect รู้ไว้ดีกว่า - คู่มือฉบับนี้ . . . . .	604

## About this Owner's Manual

### Warnings and symbols

Different types of warnings and symbols are used in this manual.



**DANGER**

Serious injury or death

Failure to observe warnings in the "Danger" category will result in serious injury or death.



**WARNING**

Possible serious injury or death

Failure to observe warnings in the "Warning" category can result in serious injury or death.



**CAUTION**

Possible moderate or minor injury

Failure to observe warnings in the "Caution" category can result in moderate or minor injuries.

**NOTE**

Vehicle damage possible

Failure to observe warnings in the "Notice" category can result in damage to the vehicle.



### Information

Additional information is indicated using the word "Information".

- ✓ Prerequisites that must be met in order to use a function.
- ▶ Instructions that must be followed.

1. Instructions are numbered in cases where a sequence of steps must be followed.
  2. Instructions that must be followed on the central display.
- ▶ Indicates where you can find more information on a topic.



## Deutsch

### To the Operating instructions

Pictogram explanation.....	4
Data protection notice.....	4
Further information.....	4

### Safety

Safety instructions.....	5
Intended use.....	7

### Scope of supply

Access data.....	8
------------------	---

### Overview

Connections on the control unit.....	9
Charger control unit.....	10
Displays and controls on the display.....	10

### Selecting the installation location.....

### Tools required.....

### Installing

Installing the wall bracket.....	13
----------------------------------	----

### Setup

Vehicle charging and supply cables.....	14
Commissioning and configuration.....	19
Initializing with the web application.....	21
Logging into the Charger.....	21
Starting Setup on the Charger.....	21
Overview.....	21

### Operation

Operating instructions.....	22
Charging.....	23
Logging into the web application.....	25
Using the web application.....	26
Charging dock.....	32

Malfunctions.....	34
-------------------	----

Transport.....	36
----------------	----

Cleaning and maintenance.....	37
-------------------------------	----

Disposal.....	38
---------------	----

### Technical data

Identification plate.....	41
Production information.....	41
Importers.....	41

Index.....	43
------------	----

### To the Operating instructions Pictogram explanation

Depending on the country, various pictograms may be attached to the charger.



Operate the charger within a temperature range of -22 °F to 122 °F (-30 °C to +50 °C).



Operate the charger at an altitude of max. 16,404 ft (5,000 m) above sea level.



The charger is equipped with a non-switched protective grounding conductor.



The charger is equipped with a switched protective grounding conductor.



Dispose of the charger in compliance with all applicable disposal regulations.



Do not use extension cables or cable reels.



Do not use any (travel) adapters.



Do not use multiple electrical sockets.



Do not use a charger with damage to electronics or wiring.



Incorrect use may cause electric shock.



Observe the relevant Owner's Manual, in particular the warning and safety instructions.



The surface of the charger can become very hot.



Do not operate the charger in non-grounded power networks (e.g. IT networks). Only operate the charger in grounded power systems.



Only operate the charger in single-phase networks.



The charger requires an AC power supply



Designates the type 1 connector with a voltage range ≤ 250 VAC.



Designates the type 2 connector with a voltage range ≤ 480 VAC.

### Data protection notice

To ensure that your Porsche charging equipment can communicate properly and is always up-to-date, the charging equipment will send the following equipment-specific data to Porsche in encrypted form at

regular intervals and process this data there: device ID, brand, generation, device type and software version.

If you would also like to have the option of using other Porsche Connect Services for the charging equipment, you must pair your charging equipment to your Porsche ID account, which is available from the Porsche Connect distributor in selected markets. While using Porsche Connect services, the following personal data and other device-specific data required for the provision of the services is sent to Porsche and processed there: customer ID, statistics, charging history information, status, connection status and time stamp for when communication was last established. You will find more detailed information on the general terms and conditions and the privacy policy at [www.porsche.com/connect-store](http://www.porsche.com/connect-store).

The regular transmission of data for your charging equipment can incur additional costs with your Internet supplier. The data you have saved at Porsche can be irrevocably deleted using My Porsche. Some of the Porsche Connect Services for the Porsche charging equipment are not available in all countries due to technical or legal restrictions.

### Further information

Further information on the charger and the web application is available in the "E-Performance" area at <https://www.porsche.com>.

## Safety

### Safety instructions

#### DANGER

Electric shock, short circuit, fire, explosion

Use of a damaged or incorrect charger and a damaged or incorrect electrical socket, improper use of the charger or failure to observe the safety instructions can cause short circuits, electric shocks, explosions, fires or burns.

- ▶ Only use accessories, e.g. supply and vehicle cables, that have been approved and supplied by Porsche.
- ▶ Do not use a damaged and/or soiled charger. Check the cable and plug connection for damage and soiling before use.
- ▶ Only connect the charger to properly installed and undamaged electrical sockets and fault-free electrical installations.
- ▶ Do not use extension cables, cable reels, multiple sockets or (travel) adapters.
- ▶ Disconnect the charger from the power grid during thunderstorms.
- ▶ Do not modify or repair any of the electrical components.
- ▶ Only get experts to correct faults and carry out repairs on the charger.

#### DANGER

Electric shock, fire

Incorrectly installed electrical sockets can cause electric shock or fire when the high-voltage battery is charged using the vehicle charge port.

- ▶ Power supply testing and installation and initial operation of the electrical socket for the charger may only be carried out by a qualified electrician. The qualified electrician is fully responsible for compliance with the relevant standards and regulations. Porsche recommends that you use a certified Porsche service partner.
  - ▶ Only operate the charger in grounded power grids. Do not operate the charger in non-grounded power grids (e.g. IT networks).
  - ▶ The cross-section of the power cable for the electrical socket is defined in accordance with the wire length and the locally applicable regulations and standards.
  - ▶ To ensure uninterrupted charging, we recommend that you only use electrical sockets that are connected via a separately fused electric circuit for charging.
  - ▶ The charger is designed for use in the private and semi-public sector, e.g. on private property or in company parking lots. In some countries, e.g. in Italy and New Zealand, mode 2 charging is **prohibited** in public areas.
- Further information is available from your authorized Porsche dealer or your local electricity supplier.
- ▶ Unauthorized persons (e.g. playing children) or animals must not have access to the charger or the vehicle during unsupervised charging.
  - ▶

▶ Please read the safety instructions in the installation instructions and the Owner's Manual.

#### DANGER

Electric shock, fire

Incorrect handling of the plug contacts can lead to electric shock or fire.

- ▶ Do not touch the contacts on the vehicle charge port and charger.
- ▶ Do not insert any objects into the vehicle charge port or charger.
- ▶ Protect electrical sockets and plug connections against moisture, water and other liquids.

#### WARNING

Flammable or explosive vapors

Components of the charger can cause sparks and ignite flammable or explosive vapors.

- ▶ To reduce the risk of explosion, –particularly in garages–, make sure that the control unit is located at least 19.7 in. (50 cm) above the floor during charging.
- ▶ Do not install the charger in potentially explosive areas.



NOTE: This equipment has been tested and found to comply with the limits for a Class B digital device, pursuant to Part 15 of the FCC Rules.

These limits are designed to provide reasonable protection against harmful interference in a residential installation. This equipment generates, uses, and can radiate radio frequency energy and, if not installed and used in accordance with the instructions, may

cause harmful interference to radio communications. However, there is no guarantee that interference will not occur in a particular installation. If the Wall Charger Connect does cause harmful interference to radio or television reception, which can be determined by turning the equipment off and on, the user is encouraged to try to correct the interference by one or more of the following measures:

- Reorient or relocate the receiving radio or television antenna.
- Increase the separation between the equipment and receiver.
- Connect the equipment into an outlet on a circuit different from that to which the receiver is connected.
- Consult the dealer or an experienced radio/TV technician for help.

Changes or modifications not expressly approved by the manufacturer could void the user's authority to operate the equipment under FCC rules. To comply with FCC RF exposure compliance requirements, the device must be installed to provide a separation distance of at least 8 inches (20 cm) from all persons.

Observe the following instructions and recommendations in order to ensure uninterrupted charging with the charger:

- When installing the new electrical socket, select an industrial electrical outlet with the highest possible power available (adapted to the domestic electrical installation) and have it commis-

sioned by a qualified electrician. Porsche recommends that you use a certified Porsche service partner.

- Where technically possible and legally permissible, the electrical installation must be dimensioned in such a way that the maximum nominal power of the electrical socket used is available continuously for charging the vehicle.
- Before installation, check that the additional power required to charge a vehicle can be continuously provided by the currently available domestic installation. Protect the domestic installation with an energy management system, if necessary.
- If you are unsure about the electrical domestic installation, have it checked by a qualified electrician. Porsche recommends that you use a certified Porsche service partner.
- If you intend to use the charger with a photovoltaic system, contact an authorized Porsche dealer.
- In order to fully exploit the performance of the charger and to ensure fast vehicle charging, use either NEMA electrical sockets with the highest possible current rating appropriate for the power plug or industrial electrical outlets according to IEC 60309.
- When charging the high-voltage battery via the domestic/industrial electrical outlet, the electrical installation may be loaded to its maximum capacity. Porsche recommends that you have the electrical installations used for charging checked regularly by a qualified electrician. Ask a qualified

electrician which inspection intervals are appropriate for your installation. Porsche recommends that you use a certified Porsche service partner.

- On delivery, the charging current is automatically limited to prevent overheating of the electrical installation. Get a qualified electrician to commission the charger and set the charging current limit as required for the domestic installation.
  - ▶ Refer to chapter "Charging current limitation" on page 24.

### Grounding Instructions

Charger must be grounded.

If it should malfunction or break down, grounding provides a path of least resistance for electric current to reduce the risk of electric shock.

The charger is equipped with a cord having an equipment grounding conductor and a grounding plug. The plug must be plugged into an appropriate outlet that is properly installed and grounded in accordance with all local codes and ordinances.

#### WARNING

Electric shock, short circuit

Improper connection of the equipment-grounding conductor is able to result in a risk of electric shock.

- ▶ Check with a qualified electrician or serviceman if you are in doubt as to whether the product is properly grounded.
- ▶ Do not modify the plug provided with the product - if it will not fit the outlet, have a proper outlet installed by a qualified electrician.

## Intended use

Charger with integrated control and protection system for charging mode 2 for vehicles with high-voltage battery that comply with the generally applicable standards and directives for electric vehicles.

- ▶ Depending on the regional power grid, use the appropriate device version.
  - ▷ Refer to chapter "Technical data" on page 39.

The charger may only be used as a combination of power cable, control unit and vehicle cable.

It is suitable for outdoor use.

## Scope of supply



Fig. 1: Scope of supply

- A** Supply cable (pluggable to control unit)
- B** Power plug for connecting to the power grid
- C** Control unit
- D** Vehicle plug (connector plug for the vehicle)
- E** Vehicle cable (country-specific: either removable or secured to the control unit)
- F** Letter containing access data

### **i** Information

Optional components: Various wall mounts are available for the charger in the different countries, e.g. the basic wall mount or the charging dock.

## Access data

With your device, you will receive an access data letter containing all the Web Application necessary data for the charger.

- ▶ Keep the access data letter.

### **i** Information

The access data valid at the time of delivery, such as the preset PIN and the initial password, can be requested from the Porsche partner in the event of loss.

- To do this, have the serial number of the charger ready.
  - ▶ Refer to chapter "Charger serial number" on page 9.

The access data sheet contains the following data:

Designation	Meaning
Serial Number	Charger serial number
Wi-Fi MAC	MAC address WiFi interface
GRID MAC	MAC address of house PLC interface
Vehicle MAC	MAC address vehicle PLC interface
SSID Wi-Fi	<ul style="list-style-type: none"> <li>- SSID WiFi access point</li> <li>- Host name</li> </ul>
Wi-Fi PSK	Network key

Designation	Meaning
Password Home user	Initial password Web Application home user
Password customer service	Initial password for web application customer service
PIN	Personal identification number
PUK	Personal unlock key

### **i** Information

The **host name** consists of the following components: Charger+serial number (example: MobileChargerConnect-1234567)

### **i** Information

The security field contains the required access codes (PIN and PUK). The field is printed with a special color that covers these codes. Only after wetting this field under running water does the color fade and allow the codes to become visible.

Do not rub or scratch when wet, as this can damage the codes.

## PIN and PUK

PIN and PUK are used to unlock the charger.

- ▶ In case of loss of a user-defined PIN, unlock the charger by entering the PUK and assign a new PIN.
- ▶ If you lose the PUK, please contact your Porsche partner.

## Web application Password

The password is used to log in to the Web Application.

If the initial password is used:

- ▶ If the initial password is lost, please contact your Porsche partner.

If a user-defined password is used:

- ▶ If a user-defined password is lost, reset the charger to factory settings and thus reactivate the initial password (**Settings** ⚙️ ▶ **Factory settings**).

## Charger serial number

The serial number of the charger is specified in the following places:

- in the access data letter behind the designation "Serial NumberSerial Number"
- on the type plate (back of the control unit) behind the abbreviation "SNSN"
- on the charger: **Settings** ⚙️ ▶ **Maintenance** ▶ **device information**
- In the Web Application: **Settings** ▶ **for maintenance** ▶ **information**

## Porsche ID

If the charger is linked to your Porsche ID, information on the charger and charging processes in My Porsche and Porsche Connect App can be accessed.

If the charger will no longer be used, for example, in the event of a sale:

1. Unlink Porsche ID from charger (**Settings** ⚙️ ▶ **User profile**).
2. Reset charger to factory settings (**Settings** ⚙️ ▶ **factory settings**).

## Overview

### Connections on the control unit



Fig. 2: Connections on the control unit

- |          |               |
|----------|---------------|
| <b>A</b> | Supply cable  |
| <b>B</b> | Vehicle cable |

The supply cable **A** is removed and plugged in at the top of the control unit.

The vehicle cable **B** is removed and plugged in at the bottom of the control unit.

### Charger control unit

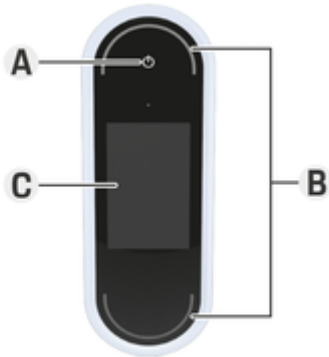




Fig. 3: Control unit

- A** Power button 
- B** Status LEDs 
- C** Display

The charger can be switched on and off using the Power button **A** (Fig. 3).

The status LEDs **B** (Fig. 3) show the status of the charger.

Communication with the charger takes place via the display **C** (Fig. 3). It shows information and error messages.

### Displays and controls on the display

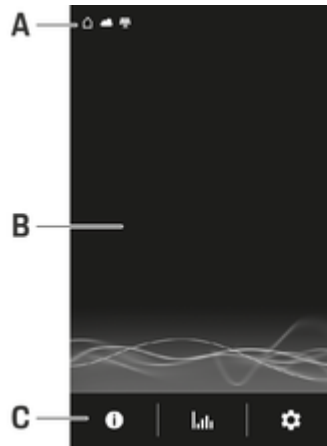









Fig. 4: Charger display

- A** Status bar
- B** Information area
- C** Menu bar

A brightness sensor controls the brightness of the display. The brightness adjusts automatically to the ambient lighting conditions.

#### Status bar










Various symbols can be displayed in the status bar. The following overview shows the meaning of the status bar symbols.

Symbol	Meaning
	WiFi connection available
	Server connection available
	Software update downloading
	Connection to PLC network available
	Hotspot activated
	A charging profile is activated in the vehicle. This profile is loaded in accordance with the settings.
	Photovoltaic system connected

#### Status bar

Various symbols can be displayed in the status bar. The following overview shows the meaning of the status bar symbols.







Symbol	Meaning
	WiFi connection available
	Server connection available
	Software update downloading
	Connection to PLC network available
	Hotspot activated
	Ground monitoring deactivated (Canada, Mexico)
	Charger is connected to an energy manager
	A charging profile is activated in the vehicle. This profile is loaded in accordance with the settings.
	Photovoltaic system connected

**i Information**

Depending on the importance, certain symbols are superimposed on one another and are therefore not visible (symbols with increasing priority include e.g. PLC network < WiFi connection < Energy manager).

**Menu bar**

Various symbols can be displayed in the menu bar. The following overview shows the meaning of the symbols in the menu bar.

Symbol	Meaning
	Display information about the current charging process
	Display charging history
	Making settings
	A software update is available.

- A Back
- B Up/Down
- C Activity
- D Details
- E Skip

**Operating options**

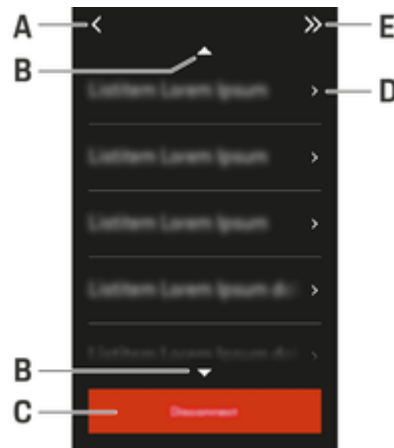


Fig. 5: Operating options

### Selecting the installation location



**DANGER**

Electric shock, fire

Improper use of the charger or non-compliance with the safety instructions can cause short circuits, electric shocks, explosions, fires or burns.

- ▶ Do not install the basic wall mount or the charging dock in potentially explosive areas.
  - ▶ Before installing the basic wall mount or charging dock, make sure that there are no electric wires in the area in which the mounting holes are to be drilled.
  - ▶ To reduce the risk of explosion, particularly in garages, make sure that the control unit is located at least 19.7 in. (50 cm) above the floor during charging.
  - ▶ Observe the locally applicable electrical installation regulations, fire protection measures, accident prevention regulations and escape routes.
- Do not install the basic wall mount or charging dock in stables, livestock buildings or locations where ammonia gases occur.
  - Install the basic wall mount or charging dock on a smooth surface.
  - In order to ensure secure fastening, check the condition of the wall before installation.
  - Install the basic wall mount or charging dock as close as possible to the preferred parking position for the vehicle. Take the orientation of the vehicle into account.
  - Install the basic wall mount or charging dock so that it is not near to pathways and the supply cable does not cross any pathways.
  - Install the basic wall mount or charging dock so that the distance from the power plug to the power socket does not exceed the available supply cable length.

The basic wall mount and the charging dock are designed for installation indoors and outdoors. The following criteria must be considered when selecting a suitable installation location:

- Install the electrical socket/supply cable, basic wall mount or charging dock in a covered area away from direct sunlight and rain (e.g. in a garage) if possible.
- Make sure the distance of the electrical socket from the floor and ceiling conforms to national standards and regulations, to ensure comfortable use.
- Do not install the basic wall mount or charging dock under hanging objects.

## Tools required

- Spirit level
- Power or hammer drill
- Screwdriver

## Installing Installing the wall bracket Installing the Basic Wall Mount

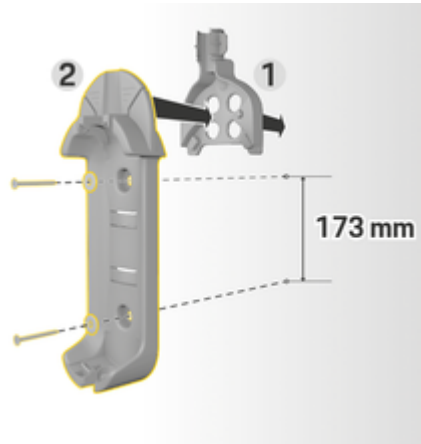


Fig. 6: Drilling dimensions

1. Mark the drill holes on the wall.
2. Drill the mounting holes and insert wall plugs.
3. Press the basic wall mount **2** (Fig. 6) into the cable guide **1** (Fig. 6) from the front.
4. Screw the basic wall mount to the wall.

## Installing the plug holder



Fig. 7: Distance from wall mount to plug holder

When installing the plug holder, ensure a distance of 7.9 in. (200 mm) from the basic wall mount.

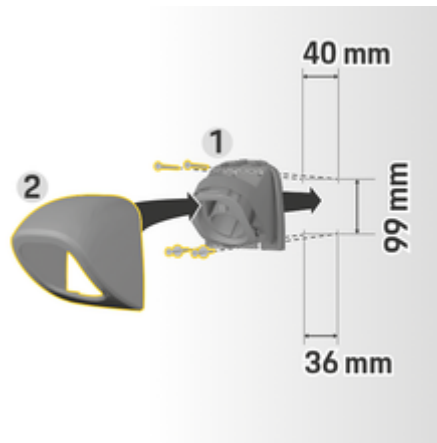


Fig. 8: Drilling dimensions

1. Remove plug holder **1** from the cover (Fig. 8) **2** (Fig. 8).
2. Mark the drill holes on the wall.
3. Drill the mounting holes and insert wall plugs.
4. Screw the plug holder **1** (Fig. 8) to the wall.
5. Fit the cover **2** (Fig. 8) onto the plug holder **1** (Fig. 8) from below and press it upwards.

## Inserting the control unit in the wall mount



Fig. 9: Inserting control unit

1. Guide the vehicle cable through the lower opening in the basic wall mount, fit the bottom of the control unit on the locking lug and engage it by pushing it to the rear.
2. Guide the supply cable through the upper opening in the basic wall mount and lock the snapping by pushing it to the left.
3. Insert the vehicle plug into the plug holder.

## Setup

### Vehicle charging and supply cables

#### Information on vehicle charging cables and connectors

Depending on the country equipment, different vehicle charging connectors **A** and vehicle charging connectors **B** are supplied.



IEC 62196-2/  
SAE-J1772-2009  
Type 1 UL/IEC

#### Power cable selection

For regular charging with optimal charging speed, use only the following power cables. The maximum available charging power is up to 22 kW (depending on the device variant, power grid/house connection and on-board charger). When traveling abroad, always carry the power cable suitable for the respective country.

#### NOTE

In some countries, only approved supply cables may be used. When driving abroad, always carry the appropriate supply cable for the country you are visiting with you.

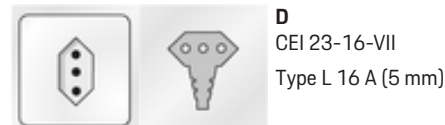
Country	Power cable for industrial sockets	Power cable for house sockets
Argentina	5, 6, 7, 8	C
Bolivia, Paraguay, Uruguay, St. Marteen, St. Martin	5, 6, 7, 8	B
Chile	5, 6, 7, 8	D
Peru	5, 6, 7, 8	A

Country-specific approval of power cables (examples)

The length of the vehicle cable can be 8.2 ft or 24.6 ft (2.5 or 7.5 m), depending on real conditions. Depending on the country, the total length of the power cable, control unit and vehicle cable is limited, e.g. in Switzerland to 16.4 ft (5 m), in Israel and the USA to 24.6 ft (7.5 m<sup>1</sup>).

1. Status of printout. Ask your Porsche partner or your local electricity supplier for more information.

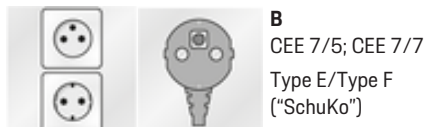
## Power cable for industrial sockets



## Power cable for house sockets

If an industrial socket is not available, the following power cables can also be used to charge the battery with reduced charging power.

- ▶ Depending on the country, for example in Abu Dhabi, Israel, Singapore and India<sup>1</sup>, charging at house sockets is **prohibited**.
- ▶ In Canada, each electrical socket must be rated for charging electric vehicles for at least 20 A.



## NEMA 6-50 / NEMA 14-50 (additional information)

### Information

Area of application

This usage recommendation applies only to regions with NEMA 6-50 / NEMA 14-50 standard.

Charging your vehicle can generate high electrical currents. For safety reasons, the use of only approved components and professional installation of the entire charging device is therefore mandatory.

1. Status of printout. Ask your Porsche partner or your local electricity supplier for more information.

**General safety instructions**

Electric shock and fire!

Improper use of the charging equipment and failure to comply with the installation and safety instructions may cause a short circuit, electric shock, explosion, fire or burns.

- ▶ Please read the installation instructions in the operating instructions for your charging equipment.
- ▶ Pay particular attention to all the safety and warning instructions provided there.
- ▶ Have the installation carried out by someone with the necessary electrical training and expertise.
- ▶ Pay attention also to the regulations on electrical installations in your country.

**Power socket requirements**

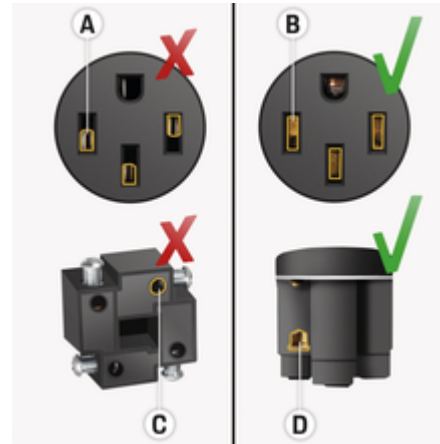
Unsuitable power outlets

An unsuitable power outlet may cause a short circuit, electric shock, explosion, fire or burns.

- ▶ Use only a power socket type suitable for this installation (see **Suitable power outlet/power plug types**).
- ▶ Only use power outlets that meet the requirements for the quality of the contact surfaces and clamping (see **Requirements for the quality of the power outlets**).
- ▶ Avoid direct contact between the clamping screws and the wire. It is best to use wire-end sleeves.
- ▶ Avoid clamping the wire to the insulation.

**Suitable power socket/power plug types**

– NEMA 6-50

**Power socket quality requirements**

- A** Contact surface only half plug-in contact height  
**B** Contact surface over the entire plug-in contact height

**C** Small contact surface between the clamping screw and the wire.

**D** Broad contact surface between clamping plate and wire

**Line installation requirements**

Unsuitable power cable

Using unsuitable power cables or excessively high currents may cause a short circuit, electric shock, explosion, fire or burns.

- ▶ The cable must be protected with a 50A fuse.
- ▶ Use only copper cable with a conductor cross-section of at least 8AWG, better 6AWG.

**Outdoor installation requirements**

Direct contact with rain

Direct contact with rain when using the charging equipment outdoors may cause a short circuit, electric shock, explosion, fire or burns.

- ▶ Avoid direct contact between the charging equipment and rain.
- ▶ Use a rainproof NEMA 3R housing.

## Changing supply cables and vehicle cables

**DANGER**

Electric shock

Risk of serious or fatal injury from electric shock.

- ▶ Before changing the supply cable, always unplug the supply cable from the electrical socket and disconnect the vehicle cable from the vehicle charge port.
- ▶ Only change cables in a dry environment.
- ▶ Use only cables approved by Porsche.

▶ Refer to chapter "Scope of supply" on page 8.

In some countries, e.g. in Norway, Italy, Portugal and Spain<sup>1</sup>, the supply cable must only be changed by a qualified electrician. Porsche recommends that you use a certified Porsche service partner.



Fig. 10: Connections on the control unit

The supply cable **A** is removed and plugged in at the top of the control unit.

The vehicle cable **B** is removed and plugged in at the bottom of the control unit.

## Disconnecting cables

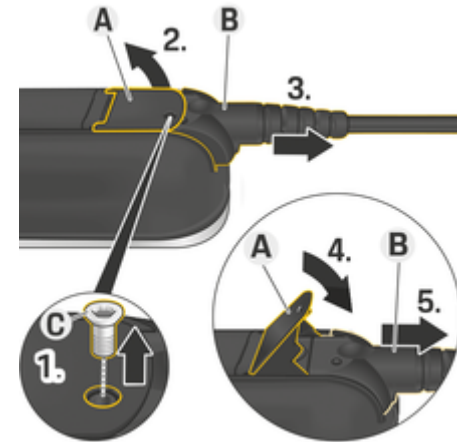


Fig. 11: Disconnecting cables

- ✓ Charging of the high-voltage battery has ended and the vehicle plug has been removed from the vehicle charge port.
  - ✓ The plug has been disconnected from the electrical socket.
1. Remove screw **C** (Fig. 11) using a suitable tool.
  2. Lift the lever **A** (Fig. 11).
  3. Pull out the plug **B** (Fig. 11) until resistance is first felt.
  4. Close the lever **A** (Fig. 11).
  5. Pull out the plug **B** (Fig. 11) fully.

1. Time of printing. Further information is available from your authorized Porsche dealer or your local electricity supplier.



## Securing cables

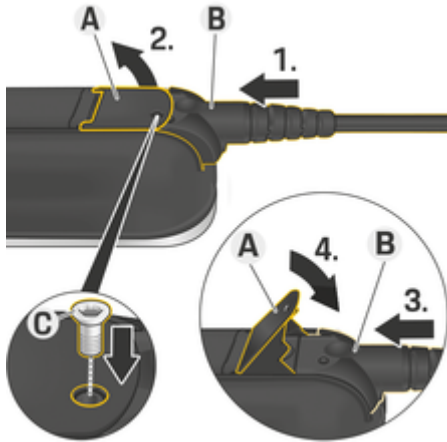


Fig. 12: Securing cables and plugs

✓ The lever **A** (Fig. 12) is closed.


1. Insert the plug **B** (Fig. 12) into the control unit until resistance is first felt.
2. Lift the lever **A** (Fig. 12).
3. Push in the plug **B** (Fig. 12) fully.
4. Close the lever **A** (Fig. 12).
5. Secure the plug **B** (Fig. 12) to the control unit using screw **C** (Fig. 12).

## Commissioning and configuration

### Getting started

Configure the following settings before using the charger for the first time.

#### **i** Information

- Options marked **Skip** can be skipped. A setting is not configured in this case.
- Settings can always be changed on the display .

### Language and country

1. Select a language from the list. Confirm your selection.
2. Select a country from the list.
3. Confirm the selected language and country.

### Data transmission

- ▶ Read and confirm instructions for transmitting data.

### Software updates

In order to guarantee the full functionality and reliable operation of the charger, the latest software must always be installed.

- ▶ Select and confirm option for automatic software update.

**On** The charger checks whether software updates are available and downloads them automatically.

The installation can then be started directly or postponed to a later time.

**Off** The charger checks whether software updates are available and displays a corresponding message. The download can then be started manually.

Once the download is complete, the installation can then be started directly or postponed to a later time.

If an Internet connection with the charger cannot be established, software updates can also be downloaded manually via the web address in the **E-Performance** area at <https://www.porsche.com> and installed via the web application.

### Selecting a Network

Select the option for connecting to a home network. The option can be skipped with **Skip**. Then, no connection is established to a home network. When the charger is connected to an existing home network, advanced functions and information are available. Connection is possible via WiFi or a powerline communication network (PLC network). If no home network is available, a hotspot can be set up on the charger.

#### **i** Information


Public WiFi networks without password protection are not supported and cannot be used.

### Connection via WiFi

1. Select the **WiFi** option.
2. Select the home network from the list of detected WiFi networks.
3. Enter and confirm the password.

### Connection via PLC pairing button


1. Select the **PLC pairing button** option.
2. Start the connection setup process on the PLC modem. Confirm by pressing **OK** on the charger.  
Once the setup is connected, confirm with **Connect**.
  - ➔ The connection to the PLC network is established.

If a connection to the PLC network is established, the  symbol is displayed in the status bar.

### Connection via PLC security code

A device on which the control software for the PLC network is installed must be used for this method.

1. To establish a connection to a PLC network using the security code, select **PLC security code**.
  - ➔ The security code appears on the display.
2. Enter the security code in the relevant menu of the control software for the PLC network in order to integrate the charger into the PLC network.
  - ➔ The connection to the PLC network is established.

If a connection to the PLC network is established, the  symbol is displayed in the status bar.

#### Information

PLC characteristics:

- Separate interfaces to the vehicle and to the infrastructure
- PLC according to IEEE P1901
- Home Plug AV
- Encryption: 128-bit AES
- Frequency band: 2-30 MHz

### User Profiles (Pairing PorscheID)

When the charger is paired to your Porsche ID, information about the charger and the charging processes can be displayed in My Porsche or in the Porsche Connect app.

#### To pair the charger with your Porsche ID:

- ▶ Call up the website specified on the display on the charger in the browser on your device and enter the user code.
  - or -
  - Scan the QR code displayed on the charger. You can scan the QR code in the following ways:
    - Using the Porsche Connect app (**My Account > Charging cables & devices > Scan QR code**).
    - Using the camera on your device (iOS 11 or higher, different for Android).
    - Using an app for scanning QR codes.


When the charger has been paired successfully, the Setup assistant moves on to the next step.

### Connect Energy Manager

If an energy manager is available, it is possible to establish a connection to it. The energy manager then assumes control of the charging process.

- ▶ For instructions for connecting, refer to the operating instructions for the energy manager.


If no energy manager is available, the vehicle will be charged at the charging current entered on the charger:

- ▶ **Settings**  ▶ **Adjust charging current**
- ▶ Refer to chapter "Adjust charging current" on page 20.

### Hotspot

If it is not possible to integrate into a home network, the charger can activate a hotspot, thereby establishing a connection to the web application on the charger.

- ▶ To activate a hotspot, click on **Activate hotspot**.

Once a hotspot has been activated, the symbol  will appear in the status bar.

#### Information

When using Android systems, the connection may have to be confirmed separately in order for a hotspot connection to be established.

### Adjust charging current

The maximum permitted charging current for the charger can be set here if there is no energy manager available in the home network.

The displayed maximum value is determined by the types of cable that are connected.

- ▶ Set the charging current to the maximum value available in the power grid used for the charger. Use **Plus** and **Minus** to do this.
- ▶ Refer to chapter "Charging current limitation" on page 24.

### Device protection

To prevent an unauthorized vehicle from being connected to the charger, a PIN prompt can be configured.

1. To activate the PIN prompt, select **On**.
2. Enter a 4-digit PIN and confirm.

3. Enter the PIN again and confirm it.
  - ➔ Activation of the PIN prompt is confirmed.

## Einrichtung abschließen

- ▶ Anhand der **Summary** die getroffenen Einstellungen prüfen und die Einrichtung abschließen.

## Initializing with the web application

Before the charger and the Web Application can be used daily, the charger must first be set up. The end device (PC, tablet or smartphone) and charger must then be connected.

### Requirements for initialising in the web application

For initial use of the Web Application, the following information should be available:

- Access data letter for the Porsche Mobile Charger Connect to log in to Web Application the charger
- Access data for your home network
- User profile access data (for linking to the Porsche ID)

The following browsers are supported by the web application:

- Google Chrome from version 57 (recommended)
- Mozilla Firefox from version 52 (recommended)
- Microsoft Internet Explorer from version 11
- Microsoft Edge
- Apple Safari from version 10

## Logging into the Charger

### Information

The data for logging into the charger is set out in the enclosed letter containing access data. The security field contains the access codes (PIN and PUK). This field has special ink covering these codes.

The codes are only visible when this field is dampened in running water.

Do not rub or scratch the field while dampening it, as the codes could also be damaged.

- ✓ The charger is switched on.
  - ✓ Letter containing access data is to hand.
1. Find the PIN in the letter. To do so, dampen the security field in order to make the PIN legible.
  2. Enter the PIN.

## Starting Setup on the Charger

The charger setup is performed with the aid of the setup assistant, which guides the user through the installation in several steps. Setup must be completed so that the charger can be used properly.

- ▶ Read the operating instructions for the Porsche Mobile Charger Connect to learn more about the setup of the charger.

## Overview

The Web Application offers more extensive setting options than those on the device.

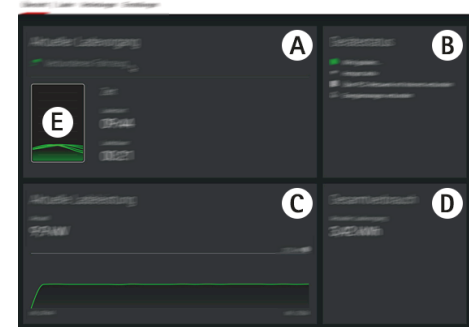


Fig. 13: Overview of the web application

### A Current charging session

Shows information on the current charging session, such as the start time and the duration of the charging session.

### B Device status

Displays information on the device, for example:

- the current charge status
- the network connection used
- the connection status to the energy manager (if present)
- the availability of a software update
- the deactivation of ground monitoring

### C Current charging capacity

The current flow of electrical power [in kilowatt] from the charger to the load.

Curve progression: The curve shown depicts the temporal progress of the charging power from the start of charging as well as the total energy consumption [in kilowatt].

In the curve, select a time in order to view the charging power at this point in time.

### D Consumption

The total energy consumption for the current charging session [in kilowatt hours].

### E Charge status

The color used in the overview indicates the charge status of the device:

- Red: Error message
- Blue: Charging paused
- Green: Vehicle is charging
- White: No vehicle is connected to the charger

## Operation Operating instructions

In some countries, the relevant authorities must be notified when you connect electric vehicle charging equipment.

- ▶ Check obligation to notify the authorities and legal requirements for operation before connecting charging equipment.

### NOTE

Damage to the charger

- ▶ Always place the charger on a solid surface when charging.
- ▶ Porsche recommends that you use the charger in the basic wall mount or in the charging dock.  
In some countries, e.g. Switzerland <sup>1</sup>, the charger may only be used in the basic wall mount or in the charging dock.
- ▶ Do not immerse the charger in water.
- ▶ Protect the charger from snow and ice.
- ▶ Handle the charger with care and protect it from potential damage from being driven over, dropped, pulled, bent or crushed.
- ▶ Do not open the charger housing.

### NOTE

Damage to the charger

The charger must only be operated within a temperature range from -22 °F to +122 °F (-30 °C to +50 °C).

- ▶ To prevent overheating during operation, avoid continuous exposure of the charger to direct sunlight. If the charger overheats, charging will be interrupted automatically until the temperature has returned to the normal range.
- ▶ If the charger is too hot or too cold, let it return slowly to the operating temperature range and do not actively cool it down or heat it, e.g. by cooling it down with cold water or heating it with a hairdryer.

1. Time of printing: Further information is available from your authorized Porsche dealer.

## Charging

### Notes on charging

#### Vehicle charge port

For information on connecting and disconnecting the vehicle cable to and from the vehicle charge port and for the charging and connection status at the vehicle charge port:

▷ See Owner's Manual.



**DANGER**

Electric shock, fire

Risk of serious or fatal injury due to fire or electric shock.

- ▶ Always observe the specified sequence for the charging process.
- ▶ Do not disconnect the vehicle cable from the vehicle charge port during the charging process.
- ▶ End the charging process before disconnecting the vehicle cable from the vehicle charge port.
- ▶ Do not disconnect the charger from the electrical socket during the charging process.

Errors are shown on the display and are indicated by red status LEDs. The error message, the cause and a remedial measure will be displayed.

- ▶ Refer to chapter "Malfunctions" on page 34.

#### Charging times

The charging duration can vary depending on the following factors:

- Electrical socket used (domestic electrical outlet or industrial electrical outlet)
- Country-specific power grid voltage and current

- Settings for limiting the charging current on the charger
- Fluctuations in the grid voltage
- Ambient temperature of vehicle and charger. Charging times can be longer at temperatures at the upper and lower extremes of the permitted ambient temperature.
  - ▷ Refer to chapter "Deactivating and activating ground monitoring" on page 24.
- Temperature of the high-voltage battery and control unit
- Passenger compartment precooling/heating activated
- Current-carrying capacity of the power plug and vehicle plug



#### Information

Due to different national power grid systems, various cable variants are available. This may result in the full charging performance not being available. Further information is available from your authorized Porsche dealer.

### Starting, pausing and stopping charging

#### Starting charging

1. Insert the plug into the electrical socket.
  - ⦿ Power button lights up white.
  - Status LEDs light up white.
  - ➔ The display turns on.
2. Insert the vehicle plug in the vehicle charge port.
  - ⦿ Power button lights up white.
  - Status LEDs pulsate white.

For information on connecting the vehicle cable to the vehicle charge port:

- ▷ See Owner's Manual.
  - ➔ Following a successful self-test and when the connection is established, the status LEDs light up white.
3. Charging starts automatically.
    - ⦿ Power button lights up white.
    - Status LEDs pulsate green.
  4. After a few minutes, the display switches to standby mode.
    - ➔ The vehicle is charging.



#### Information

- Charging is controlled by the vehicle. The charging process can only be stopped at the vehicle.
- The charge status is shown on the display provided the charger is not in standby mode. The display can be switched on again by pressing the Power button ⦿.
- A high-temperature switch-off feature prevents overheating while charging.

#### Pausing charging

Charging is controlled by the vehicle and may occasionally be paused, e.g. in order to optimize power consumption.

When charging is paused, this will be indicated on the control unit:

- ⦿ Power button lights up white.
  - Status LEDs flash blue.
- The display turns on.

The vehicle starts charging again automatically. The charging process can be stopped at the vehicle.

### Stopping charging

- ✓ Charging was completed successfully.

⏻ Power button lights up white.

○ Status LEDs light up green.

The display switches on and shows information about the completed charging process. After a few minutes, the charger switches to standby mode.

- ▶ Disconnect the vehicle plug from the vehicle charge port.

### Charging current limitation

The control unit automatically detects the voltage and the available amperage. The charging current limit can be used to set the power at which charging takes place. To prevent overheating of the electrical installation, the charging current is limited to 50 % at delivery.

If the charger is connected to an energy manager, it limits the charging current in accordance with the specifications set in the energy manager. The maximum available charging current can also be reduced, e. g. by other electrical loads present in the home network, e. g. by electric heating or water heaters. The charging power must never be set higher than the maximum available power of the circuit used. If in doubt, contact a qualified electrician.

When operating on industrial sockets, the charging power is automatically set to 50 % after unplugging the power plug or after a power failure

### Plug & Charge

With Plug & Charge, the vehicle can be charged using a suitable charging infrastructure in private and public areas, without the need to manually initialize

the charging process on the E-charging station or charger. The charging process is billed automatically on the basis of the contract with the charging provider.

- ✓ Intelligent charging functions on the vehicle enabled.
- ✓ Charging infrastructure suitable for Plug & Charge.
- ✓ Contract with charging provider includes Plug & Charge.

### Private Plug & Charge

If Mobile Charger Connect device protection is activated, the charging process can only be started by entering the PIN ▶ Refer to chapter "Device protection" on page 20. This is used to protect against external access.

### Vehicle list (register vehicle)

After entering the PIN, you will be asked whether the vehicle should be included Mobile Charger Connect in the vehicle list. With your consent, a one-time pairing of the vehicle with the vehicle is immediately recognized Mobile Charger Connect after plugging in the charging cable and the charging process is enabled. For all subsequent charging processes with this vehicle, entering a PIN is no longer necessary.

### Access vehicle list

Several vehicles can be registered on the Mobile Charger Connect. Each vehicle is listed separately in the vehicle list.

- ▶ Select **Settings** ⚙️ ▶ **vehicle list**.

Vehicles can be removed again using this list.

### Deactivating and activating ground monitoring

**⚠️ DANGER**

Electric shock, short circuit, fire, explosion

Using the charger without active ground monitoring can cause electric shocks, short circuits, fires, explosions or burns.

- ▶ The charger must preferably be operated in grounded power grids.
- ▶ Only deactivate ground monitoring in non-grounded power grids.
- ▶ Activate ground monitoring in grounded power grids.
  - ▶ Refer to chapter "Activating ground monitoring" on page 25.

### Deactivating ground monitoring

- ✓ The error message about the interrupted or non-existent ground wire is shown on the display.
- ✓ Ground monitoring has stopped the charging process or is preventing it from starting.
  - ⏻ Power button lights up red.
  - Status LEDs light up red.

An error message is shown on the display.

  1. To deactivate the ground monitoring, acknowledge the error message with **Confirm**.
  2. Press and hold power button ⏻ for 3 seconds.
  3. Acknowledge the deactivation of ground monitoring by pressing **Confirm**.
    - ➡ Ground monitoring remains deactivated for subsequent charging sessions as well.

## Activating ground monitoring

If you are operating the charger in a grounded power grid, activate ground monitoring.

1. Open **Ground monitoring** menu (**Settings** ⚙️ ▶ **Ground monitoring**).
2. Activate ground monitoring via **Activate**.

When ground monitoring is active, the menu item **Ground monitoring** does not appear in the **Settings** ⚙️ menu.

## Logging into the web application

For standard operation of the web application, use the Home user profile. The Customer service profile has additional setting options and is intended for use by your authorized Porsche dealer.

✓ Access data is to hand.

1. In the **User** field, select the corresponding user.
2. Enter password (from the letter containing access data).



### Information

After 25 minutes of inactivity, the user is automatically logged off from the web application.

## Opening the web application

Further configuration options and detailed information about the previous charging processes can be displayed using a web application, which is specific to each charger.



### Information

- Depending on which browser you are using, the web application will not open immediately; instead information about the browser's security settings will be displayed first.
- The manner of entering the network key for calling up the web application depends on the end device's operating system.

## Opening the web application via the hotspot

The web application can be called up using an end device (PC, tablet or smartphone) via a hotspot set up by the charger.

To set up a hotspot:

- ▶ Refer to chapter "Hotspot" on page 20.
- ▶ To open the web application while a hotspot is active, enter the following IP address in the browser's address line: 192.168.0.1

## Opening the web application via WiFi

The web application can be called up in the browser on a device (PC, tablet or smartphone) that is logged into the same home network as the charger.

- Enter the current IP address of the charger in the browser's address line. You will find the current IP address under **Settings** ⚙️ ▶ **Network** ▶ **Network information**.  
- or -  
Enter the host name of the charger in the browser's address line. You will find the host name in the letter containing access data.

▶ For information on the web application, refer to the instructions at <https://www.porsche.com/international/aboutporsche/e-performance/help-and-contact/>

## Using the web application

### Opening the web application

#### Establishing a Connection to the Charger

If the charger was integrated in your existing home network (WiFi or Powerline Communication) during setup, it is possible to access the web application using the assigned IP address.

For information on establishing network connections

▶ Refer to chapter "Connections" on page 27..

#### Opening the web application via WiFi

✓ The end device and the charger are in the same WiFi network.

1. Open the browser.
2. In the address bar of the browser: enter the IP address assigned during configuration (under **Settings** ⚙️ ▶ **Networks** ▶ **Network information** on the charger), or the host name of the charger (provided in the letter containing access data).

#### Opening the web application via Powerline Communication

✓ The end device and charger are in the same network via a PLC connection.

1. Open the browser.
2. In the address bar of the browser: enter the IP address assigned during configuration (under **Settings** ⚙️ ▶ **Networks** ▶ **Network information** on the charger).

#### Opening the web application via the hotspot

Alternatively, a connection can be established via the hotspot. The charger offers a wireless access point (hotspot), which is protected by a password and requires a manual login. A WiFi-enabled end device can

connect with the hotspot and access the charger's web application. Integration in the home network can take place at any time in the web application.

- ✓ The charger is switched on. The charger opens its WiFi hotspot automatically.
1. Tap the network icon or WiFi icon in the info bar on the end device.
  2. Select WiFi network from the list. The name of the WiFi network corresponds to the SSID in the letter containing access data and is displayed as **ICCPD-#####**.
  3. Press the Connect button.
  4. Enter the network key in the field **Security key** (designated in the letter containing access data as **WiFi PSK**).
    - ➔ The connection to the WiFi network is established.

Please note: For the Windows 10 operating system, the PIN entry for the router is requested first. Select the link Connect instead using a network security code and then enter the code.

5. Open the browser.
6. Enter the following IP address in the browser's address bar. **192.168.0.1**.

### Information

When the end device is in a home network, it can no longer access the web application via the IP address of the hotspot (192.168.0.1), but instead only via the automatically generated IP address or the host name of the charger.

- Existing IP address entries:
  - Web Application: **Service** ▶ **Device information**
  - Charger: **Settings** ⚙️ ▶ **Networks** ▶ **Network information**
- Existing host name entries:
  - Letter containing access data
  - Web Application: **Service** ▶ **Device information**

### Forwarding to the web application

### Information

Depending on which browser you are using, the web application will not open immediately; instead information about the browser's security settings will be displayed first.

1. In the warning message displayed in the browser, select **Advanced**.
2. In the following dialog window, select **Add exception**.
  - ➔ The SSL certificate is confirmed and the web application is opened.



## Charging history

The charging sessions of the charger are listed here chronologically. The following information is available for every charging session:

- Time
- Charging time
- Consumption
- Costs (if an energy manager is available)
- Account used (if an account was selected during the active charging session)

The web application offers the option of exporting the charging history as an Excel file.

1. Select **Export charging history**.
2. Navigate to the desired memory location and save the file.

### Information

For every active charging session, the accounts **Work** or **Personal** are available for selection for evaluation purposes. The account can be chosen in the information on the current **Charging session** (icon **i** in the menu bar) on the charger. The selection is also adopted for the next charging session and must be reassigned if required.

## Connections


In order to access the charger's web application and its information and settings, the end device and the charger must be connected in the domestic network (via WiFi or PLC connection). The Internet connection of the domestic network enables you to use all the functions of the web application.

If there is no domestic network available at the place of use, your end device (PC, tablet or smartphone) can be used to log in directly to the charger via its

WiFi hotspot. However with this there is no Internet connection and only the locally installed functions are available.

### Information

When the end device is in a home network, it can no longer access the web application via the IP address of the hotspot (192.168.0.1), but instead only via the automatically generated IP address or the host name of the charger.

- Existing IP address entries:
  - Web Application: **Service** ▶ **Device information**
  - Charger: **Settings**  ▶ **Networks** ▶ **Network information**
- Existing host name entries:
  - Letter containing access data
  - Web Application: **Service** ▶ **Device information**

### Information

If during the setup process, the system switches from hotspot mode to a WiFi network connection and back again, a new login is required.

A change to the home network with Powerline Communication is possible without a restart where there is an existing hotspot connection.

### Information

In the web application, the hotspot connection should only be deactivated if a connection to a domestic network is possible.

- ▶ Select the desired network connection (hotspot, WiFi, Powerline Communication).

## Hotspot

Your end device can connect directly to the charger using its integrated WiFi hotspot.

1. Select the function **Set up hotspot**.
2. In the settings, enter the network name and the security code of the hotspot.
  - ▶ For information on establishing a hotspot connection, ▶ Refer to chapter "Opening the web application" on page 26..

## WiFi

### Information

If the charger is already connected to the end device via a hotspot, a connection to the WiFi network cannot be established simultaneously. The hotspot must be deactivated first.

1. Activate WiFi.
2. Select the option **Connect to network**.
3. Select the corresponding network from the list and enter the **Security key**. **Different network**: Select when the network should be invisible.
4. Select that the IP address should be automatically assigned (recommended).
  - ➔ The IP address appears as soon as the connection to the network is established.

In the list, the network status is displayed as **Connected**.

## Managing WiFi networks

Option	Explanation
<b>Different network</b>	▶ Select when your network is an invisible network.
<b>Manage known networks</b>	▶ Select <b>Delete</b> to remove the saved networks. The charger is thereby always in the relevant network.

## Disconnecting the network connection

1. Select the network to which a connection exists.
2. Select **Disconnect** to disconnect the connection to the WiFi network.

## Configuring the network connection

1. Select the network to which a connection exists.
2. Select **Configure** to change the settings for the IPv4 address and the DNS server.

### Information

For the network connection, a 2.4 GHz frequency band is used. In the event of connection problems, deactivate the 5 GHz frequency band on the network router.

## Powerline Communication

As an alternative to WiFi, your charger can be connected to the home network via a PLC connection. The existing power grid is used to establish a local network for data transfer. The charger is registered as a client in the PLC network.

To establish a connection, the charger and the PLC modem can be connected to one another via the pairing button. In this case, the charger is paired automatically with the PLC modem. Another means of establishing a connection is to enter the security code of the charger on the PLC modem.

1. Activate **Powerline Communication (PLC)**.
  2. Adding the charger to the PLC network:
    - **Option 1:** With the pairing button:
      - a. In the web application, select the option **Connect with PLC Push method**. Select **b. Start pairing**.
      - c. Press the pairing button on the PLC modem within 2 minutes to initiate the establishment of a connection.
      - d. Select the **Connect** button to confirm pairing.
    - **Option 2:** By entering the PLC security code:
      - a. Select the option **Establish connection with PLC security key**. The security code is displayed.
      - b. Enter the security code in the settings of your PLC modem.
- ➔ The charger is integrated in the PLC network and a connection is established.

## PLC connection to the vehicle

This function is only visible and configurable for the **Customer service** user. With the deactivation of the PLC connection, no further data is transferred via the cable to the vehicle.

This status is required for example during certain measurements.

With data transfer, charging that is based on the charging protocol is enabled by default (high level communication).

Without data transfer, the charging process is based on electrical key values (pulse width modulation).

## Adding an energy manager

To ensure the energy manager takes over control of charging, the charger (EEBus device) and energy manager must first be connected to one another. The connection is to be established both in the energy manager's web application and the charger's web application (or directly on the charger if desired).

### Establishing a connection to the charger on the energy manager

▶ Connection to the charger is described in the section "Adding an EEBus device" in the web application instructions of the Porsche Home Energy Manager.

### Establishing a connection to the energy manager on the charger

✓ The charger and energy manager are in the same network.

1. Navigate to **Connections** ▶ **Energy manager** in the charger's web application.
  - ➔ The energy manager is displayed in the **Available energy managers** list.
2. Select energy manager and expand.

3. Select **Pair devices**.
  - ➔ The connection is checked.
4. In the **Establish connection** dialog box, check the identity of the energy manager again using the identification number (SKI) and then select the option **Connect**.
  - ➔ The energy manager is successfully connected and the status **Energy manager connected** is displayed.

The energy manager settings (e.g. charging current, overload protection and optimized charging, as well as tariff settings) are applied to the charger.

**Disconnecting the connection to the energy manager:**

1. Navigate to **Connections** ▶ **Energy manager** in the charger's web application.
  - ➔ The connected energy manager is displayed with the status **Energy manager connected**.
2. Select **Disconnect**.
  - ➔ The connection between the energy manager and the charger is disconnected.

**Linking user accounts**

**i Information**

In order to transfer data to your Porsche ID account, the device must be connected to the Internet.

Information on the charging sessions can also be called up in your Porsche ID account. To do this, however, the charger must be linked to a Porsche ID.

1. Select the **Link user account** button.
  - ➔ The dialog **Link user account** is opened.
2. Depending on whether an Internet connection is available, select the following option (see "Internet connection options").
3. On the website for the Porsche ID account, enter the login data (Porsche ID, password).

**Internet connection options**

Option	Explanation
<b>To My Porsche</b>	<ul style="list-style-type: none"> <li>✓ Web application with Internet connection.</li> <li>▶ You are forwarded directly to your Porsche ID account.</li> </ul>
<b>More options</b>	<ul style="list-style-type: none"> <li>✓ Web application without Internet connection.</li> <li>▶ Using a mobile end device that has an Internet connection, either scan in the QR code displayed or enter the displayed URL manually in the browser.</li> </ul>

**Settings System**

**Demo mode**

This setting is only visible for the Customer service user. In demo mode, the functions of the charger can be displayed easily and a charging session simulated. The settings made in demo mode are not applied.

- ✓ **Customer service** user is logged in.
- ▶ Activate function.

With the new login to the web application, demo mode is deactivated again.

**Change password**

Changes the login password for the web application. The initial password from the letter containing access data is overwritten with the newly selected password.

- ▶ Select **Change** and enter new password.

**Set PIN**

A PIN request serves to protect your charger and prevents the unauthorized connection of a vehicle to your charger.

1. Activate function.
2. Enter a 4-digit PIN and confirm.
3. Enter the PIN again and confirm it.
  - ➔ Activation of the PIN prompt is confirmed.

Enter this PIN to unlock the charger.

**Activating guest PIN**

In addition, a guest PIN can be created for another user.

- ▶ The procedure is the same as for assigning a PIN for device protection.

**i Information**

The charger cannot be configured by the guest user.

## Regulating power consumption

Activate sleep mode to save electricity. Sleep mode is started as soon as the charging process is completed.

- ▶ Activate the function **Standby mode**.

The device requires some time to leave sleep mode and restore operational readiness.

### Information

After a prolonged period of non-use, the charger switches automatically to standby mode. In a first step, the brightness of the device display is reduced; then the device display is switched off. Press the Power button to restart.

## Specifying the language and country

Field	Explanation
<b>Language</b>	Selection of the language for the web application.
<b>Country</b>	The country of use. The configuration settings are country-specific. If the specification deviates from the actual place of use, it is possible that some settings will not be available.

## Specifying date and time

Field	Explanation
<b>Date and time</b>	<p>With a network connection, the date and time are automatically applied.</p> <p><b>Time zone:</b> Can be selected manually.</p> <p><b>Set time:</b> Specify a time, if the network time is not available as a reference.</p>

### Units

Select the parameters and units that are to be used for the device.

### Device display

This setting determines the brightness of the charger's display.

## Charging

### Grid status

This setting is only visible for the **Customer service** user. The information on the grid status presented here is automatically detected by the device.

Display	Explanation
<b>Grid phases</b>	Number of supply cable phases.
<b>Cable type</b>	Type of vehicle charging cable. The cable type delivers important information for the maximum charging current setting.
<b>Limited service</b>	<p>The number indicates which sensor's charging power is impaired through overheating:</p> <ul style="list-style-type: none"> <li>– 0: High temperature of microcontroller</li> <li>– 1: High temperature of relay</li> <li>– 2: Internal high temperature</li> <li>– 3: High temperature of infrastructure cable sensor 1</li> <li>– 4: High temperature of infrastructure cable sensor 2</li> </ul>

Ground monitoring



Electric shock, short circuit, fire, explosion

Using the charger without active ground monitoring can cause electric shocks, short circuits, fires, explosions or burns.

- ▶ The charger must preferably be operated in grounded power grids.
- ▶ Only deactivate ground monitoring in non-grounded power grids.
- ▶ Activate ground monitoring in grounded power grids.

For activating and deactivating ground monitoring> Refer to chapter "Deactivating and activating ground monitoring" on page 24.

Adjust charging current

If the charging current to the vehicle is too high, the fuse can be triggered causing the power supply to fail in the supply area of the fuse.

If an energy manager is connected to the charger, the overload protection provides monitoring of the charging current to the charger. If there is no energy manager available in the home network, you must stipulate a maximum current for the charger.

The charging current specified here may not exceed the maximum value of the charging current with which the electrical installation can be loaded.

The following must be observed when specifying the maximum charging current:

- Cable type connected to the charger
- Other loads connected to this wire or fuse

Information about supply cables and their country-specific usage Refer to chapter "Power cable selection" on page 14..

Information

The charging power must never be set higher than the maximum available power of the electrical circuit. If you are unsure about this, contact a qualified electrician.

Information

If there is a connection to the energy manager, the value stipulated here is overwritten with the settings of the energy manager.

- ✓ Vehicle cable is connected to the charger.
- ▶ In the web application, use the controller to set a minimum and a maximum for the charging current.

Service

Displaying device information

This information pertains to the device, e.g. version number, serial number and host name.

In the event of an error message, this data is required by the Porsche service partner.

Displaying total run time information

Display	Explanation
Total energy consumption	Displays the total energy consumption of this charger for all previous charging processes.

Display	Explanation
Total charging time	Displays the total charging time of this charger for all previous charging processes.

Displaying the event log

This setting is only visible for the Customer service user. The event log information displayed refers to error messages that arise during the system test. Active and passive event logs are displayed. In contrast to passive events, active events and faults are currently still ongoing.

- ▶ Select the corresponding protocol to display the error messages and results of the system test.

Installing software updates

By default, the charger checks for software updates and downloads them. This setting stipulates whether the software updates should be installed automatically or manually. Software version: Displays the just installed software version.

Information

In order to search for and download software updates, the device must have an Internet connection.

Performing automatically

With this function activated, the charger installs the software update automatically.

- ▶ Select the function Automatic software updates.

Performing manually

A message appears in the device status of the overview when a new software version is available.

- ✓ Function **Automatic software updates** is deactivated.
- ▶ Select the **Perform software update** button to start the installation.

### Saving settings

Your configuration settings and the data already collected can be saved with the aid of a backup. If needed, e.g. after resetting to factory settings, these settings can be restored from the backup. Backups are created manually in the web application. No passwords or personal data, such as the charging history, are saved in the backup.

### Creating a backup

For the manual backup, the data is saved on your end device.

- ✓ The end device and the charger are in the same network.
1. Select **Export**.
  2. Navigate to the memory location.
  3. Save backup file.

**Assign password:** Enter password.

The password protects your data and must be entered when importing or restoring the backup.

### Restore backup

A saved backup file can be imported from the end device to the charger.

- ✓ The end device and the charger are in the same network.
1. Select the **Import** button.
  2. Navigate to the backup file and select this.
  3. Enter the password that was used to save it.

### Resetting to factory settings

By activating this function, all personal data and configurations, such as the charging history and network settings are deleted. In addition, all passwords will be set to the initial passwords in the letter containing access data.

- ▶ Activate the function **Reset to factory settings**. To create the backup Refer to chapter "Service" on page 31.

### Information

If the settings are reset to the factory status, the setup assistant will provide support with the most important settings for the device the next time it is started.

## Charging dock

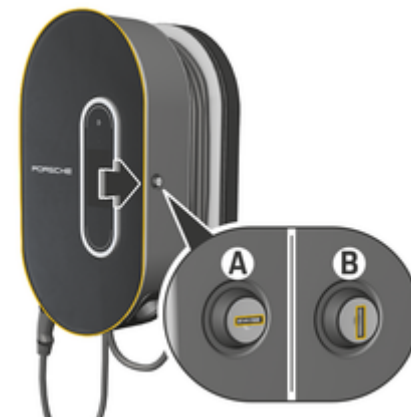


Fig. 14: Charging dock

### Opening the Charging Dock

- ▶ Press the door of the Charging Dock in **direction of arrow**. The door opens automatically.

### Closing the Charging Dock

- ▶ Close the door of the charging dock and press in the **direction of the arrow**.

### Locking the Charging Dock

- ▶ Turn the lock into position **A** (Fig. 14).

### Unlocking the Charging Dock

- ▶ Press the lock into position **B** (Fig. 14).

## Inserting the control unit in the charging dock and removing it from the charging dock

### NOTE

Damage to the charger

- ▶ Always keep the door closed.
- ▶ Do not place objects on the door or on the charging dock.

### Inserting the control unit in the charging dock

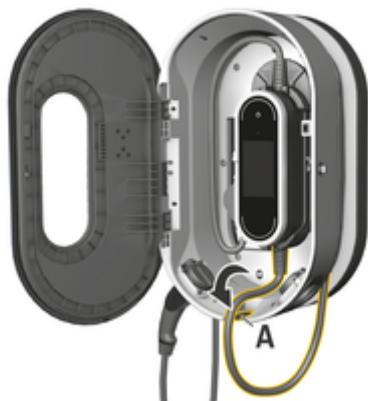


Fig. 15: Inserting control unit

1. Open the door of the charging dock.
2. Position the bottom of the control unit in the locking lugs of the charging dock and engage by pushing it to the rear.

3. Guide the vehicle cable through the opening A (Fig. 15) and wrap any excess cable around the charging dock.
4. Insert the supply cable into the electrical socket.
5. Close the door of the charging dock.

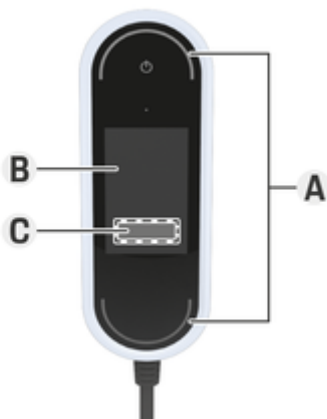
### Removing the control unit from the charging dock



Fig. 16: Inserting control unit

1. Open the door of the charging dock.
2. Disconnect the supply cable from the electrical socket.
3. Unwind the vehicle cable fully from the charging dock.
4. Detach the control unit from the mount by pressing the release switch (arrow) and remove.

## Malfunctions



- A** Status LEDs light up red
- B** Error message and cause
- C** Remedy

In the event of faults or malfunctions, the charger displays a corresponding message on the display. The status LEDs and the Power button light up red. The message contains the error message, information about the cause and a remedial measure.

- ▶ Follow the instructions given in the remedial measure.

**NOTE**

Damage to the charger



- ▶ If a fault persists or recurs, disconnect the charger from the power grid and contact a qualified electrician. Porsche recommends that you use a certified Porsche service partner.

The following overview contains recommendations for dealing with malfunctions that restrict or prevent the vehicle from charging.

Fig. 17: Display of malfunctions

Situation	Recommended action
The display (screen, status LEDs, Power button) has stopped working completely.	<ul style="list-style-type: none"> <li>▶ Disconnect the charger from the power grid and have it replaced.</li> <li>▶ Have the domestic installation checked by a qualified electrician.</li> </ul>
The display is blank, the status LEDs do not change color and the Power button lights up red.	<ul style="list-style-type: none"> <li>▶ The charger is overheated. Disconnect the charger from the power grid and let it cool down slowly by itself.</li> <li>▶ If the error persists, have the charger replaced.</li> </ul>
Restricted operation or charging not possible (message on display).	<ul style="list-style-type: none"> <li>▶ Make sure that the supply and vehicle cables are connected to the control unit on the correct side and are plugged in correctly at the connections.</li> <li>▶ Make sure that the charger is within the permitted temperature range.                             <ul style="list-style-type: none"> <li>▷ Refer to chapter "Technical data" on page 39.</li> </ul> </li> <li>▶ Acknowledge any error message that appears.</li> <li>▶ Start the charger again. Press the Power button for at least 10 seconds to start the charger again.</li> </ul>



Situation	Recommended action
The charging current is too low (message on display).	<ul style="list-style-type: none"> <li>▶ The home network is overloaded. Switch off other high-usage electrical loads.</li> </ul>
The grid voltage is too high (message on display).	<ul style="list-style-type: none"> <li>▶ Have the domestic installation checked by a qualified electrician.</li> </ul>
The charger is not within the permitted temperature range (message on display).	<ul style="list-style-type: none"> <li>▶ Device temperature switch-off: Avoid direct sunlight and let the charger cool down slowly by itself.</li> <li>▶ Low-temperature switch-off: Let the charger heat up in a warm environment before using it.</li> <li>▶ Device temperature sensor faulty: Have the charger replaced.</li> </ul>
The circuit breaker in the domestic installation was triggered (message on display).	<ul style="list-style-type: none"> <li>▶ Reduce the charging current in the settings on the charger.</li> <li>▶ Acknowledge any error message that appears.</li> </ul>
<p>A charging interruption is displayed:</p> <ul style="list-style-type: none"> <li>▶  Power button lights up white.</li> <li>▶  Status LEDs flash blue.</li> <li>▶ The display turns on.</li> </ul>	<ul style="list-style-type: none"> <li>▶ Wait until the vehicle resumes charging again automatically.</li> <li>▶ The charging process can be stopped at the vehicle.</li> </ul>

### Moving and storage instructions

Do not lift, carry or move the charger by the supply cable, vehicle cable, power plug or vehicle plug. Always lift, carry and move the whole device. Do not damage the control unit, cables or plugs when moving, e.g. by dragging over the floor or sharp edges.

Proper storage: Store in a cool dry place away from direct sunlight, not below -22 °F (-30 °C) or above +122 °F (+50 °C).

### Transport

**⚠ WARNING**

**Unsecured load**

An unsecured, incorrectly secured or incorrectly positioned charger can slip out of place and endanger occupants when braking, accelerating, changing direction or in the event of an accident.

- ▶ Never transport the charger unsecured.
- ▶ Always transport the charger in the luggage compartment, never in the passenger compartment (e.g. on or in front of the seats).

#### Securing the charger during transport

The charger is supplied with or without a transport case, depending on vehicle type.

- ▶ If a transport case is supplied: Always stow and transport the charger in the case. Attach the bag at the front and rear lashing points using the hook.

For information on the tie down rings in the luggage compartment:

- ▶ See Owner's Manual.
- ▶ If a transport case is not supplied: Stow the charger in the rear luggage compartment while transporting it.
- ▶ Depending on the vehicle type, stow the charger in such a way that it does not endanger any occupants in dangerous situations.

## Cleaning and maintenance

Check the charger for damage and soiling at regular intervals and clean it if necessary.



**DANGER**

Electric shock, fire

Risk of serious or fatal injury due to fire or electric shock.

- ▶ Never immerse the charger or plugs in water or spray them directly with water (e.g. high-pressure cleaning equipment or garden hoses).
  - ▶ Only clean the charger when the control unit has been fully disconnected from the power grid and from the vehicle. Use a dry cloth for cleaning.
-

### Disposal

Electrical/electronic devices must be handed in at a collection point or waste management facility.

- ▶ Do not throw electrical/electronic devices in with household waste.
- ▶ Dispose of electrical/electronic devices in accordance with the applicable environmental protection regulations.
- ▶ If you have questions about disposal, contact an authorized Porsche dealer.

## Technical data

Electrical data 9Y0.971.675...	BL MCC96U1 A <sup>1)</sup>
Power	9.6 kW
Rated current	40 A
Power supply voltage	120/208-240 V ~, 120 V to ground
Phases	1
Power supply frequency	50 Hz/60 Hz
Over-voltage category (IEC 60664)	II
Integrated residual-current device	Type A (AC: 20 mA) + DC: 56 mA
Protection class	I
Protection type	IP55 (USA: Enclosure 3R)
Transmission frequency bands	2.4 GHz, 5 GHz
Transmission power	20 dBm
<b>Only for Colombia</b>	
Charging rate	≤ 100%
Power factor	1
Harmonic content	0.5 %

## Technical data

<b>Mechanical data 9Y0.971.675...</b>	<b>BL MCC96U1 A<sup>1)</sup></b>
Control unit weight	5.59 lbs. (2.54 kg)
Length of vehicle cable	8.2 ft or 24.6 ft (2.5 m or 7.5 m)
Supply cable length	1 ft (0.3 m)

<sup>1)</sup> A stands for upcoming design changes and may be any letter.

<b>Mechanical data for wall bracket base 9Y0.971.675...</b>	<b>BL MCC96U1 A<sup>1)</sup></b>
Wall bracket base dimensions	15.2 in x 5.3 in x 2.6 in (385 mm x 135 mm x 65 mm) (length x width x height)
Wall bracket base weight	approx. 1 lb (0.45 kg)
Cable routing dimensions	5 in x 4.5 in x 5.5 in / 127 mm x 115 mm x 139 mm) (length x width x height)
Cable routing weight	approx. 1 lb (0.42 kg)
Connector holder dimensions	5.4 in x 2 in x 6.8 in (136 mm x 50 mm x 173 mm) (length x width x height)
Connector holder weight	approx. 0.3 lb (0.14 kg)
Weight of complete wall bracket base	approx. 2.2 lb (1 kg)

<b>Mechanical data for charging dock 9Y0.971.675...</b>	<b>BL MCC96U1 A<sup>1)</sup></b>
Charging dock dimensions	14.7 in x 25.3 in x 9.1 in (373 mm x 642 mm x 232 mm) (length x width x height)
Charging dock weight	approx. 21.4 lb (9.7 kg)

<b>Ambient and storage conditions 9Y0.971.675..</b>	<b>BL</b> <b>MCC96U1 A<sup>1)</sup></b>
Ambient temperature	-22 °F to 122 °F (-30 °C to +50 °C)
Humidity	5% – 95% non-condensing
Altitude	max. 16,404 ft (5,000 m) above sea level

<sup>1)</sup> A stands for upcoming design changes and may be any letter.

**Argentina**



IC-CPD: CNC ID: C-24292

**Identification plate**

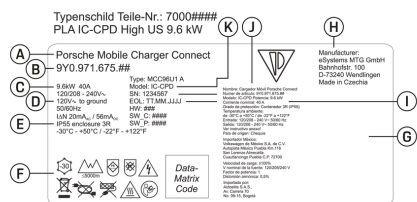


Fig. 18: Identification plate (example)

- A** Product name
- B** Article number
- C** Power and rated current
- D** Rated voltage
- E** Degree of protection
- F** Icons for operation
- G** Certification information
- H** Manufacturer

- I** Date of manufacture
- J** Serial number
- K** Type designation

**Production information**

**Date of manufacture**

The charger's date of manufacture can be found on the type plate behind the abbreviation "EOL OK". The following format is used: Production day.Production month.Production year

**Manufacturer of the charger**

eSystems MTG GmbH  
Bahnhofstraße 100  
73240 Wendlingen  
Germany

**Electrical tests**

If you have questions about the regular electrical inspection of the charging infrastructure (e. g. VDE 0702) please visit <https://www.porsche.com/international/accessoriesandservice/porscheservice/vehicleinformation/documents/> or contact a Porsche partner.

**Declaration of Conformity**

The charger is equipped with a radio system. The manufacturers of this radio equipment declare that it complies with the specifications for its use in accordance with Directive 2014/53/EU. The full text of the EU Declaration of Conformity is available at:  
▷ <http://www.porsche.com/international/accessoriesandservice/porscheservice/vehicleinformation/documents>

**Importers**

**Columbia**

Autoelite S.A.S  
Av. Carrera 70t  
No. 99-15, Bogotá

## Technical data

### México

Volkswagen de México S.A. de C.V. Domicilio en  
AUTOPISTA MÉXICO PUEBLA. KM 116 LOCALI-  
DAD

SAN LORENZO ALMECATLA

CUAUTLANCINGO, PUEBLA, 72700

Telephone: +52 222 230 9971

---



## Index

## A

Access data.....	8
for charger serial number.....	9
Adjust charging current.....	20
Ambient and storage conditions.....	39

## C

## Cables

Releasing.....	18
Securing.....	19
Changing supply cables and vehicle cables.....	18
Charge status.....	21

## Charger

Charge status.....	21
Charging power.....	21
Connecting.....	26
Device status.....	21
Initial password.....	8
pictograms.....	4
Charger article number.....	39
Charger serial number.....	9

## Charging

Ending.....	24
Pausing.....	23
Starting.....	23

## Charging cable

cable and connector types.....	14
--------------------------------	----

Charging current limitation.....	24
----------------------------------	----

Charging dock.....	32
--------------------	----

Locking.....	32
Opening.....	32
Unlocking.....	32

## Charging power

Displaying.....	21
-----------------	----

## Charging process

Power consumption.....	27
Viewing.....	27

Charging process energy consumption.....	21
--	----

Charging times.....	23
---------------------	----

Cleaning.....	37
---------------	----

Configuring the DNS server.....	27
---------------------------------	----

Configuring the IPv4 address.....	27
-----------------------------------	----

## Connections

Energy manager.....	20
Hotspot.....	20
PLC pairing button.....	19
PLC security key.....	19
WiFi.....	19

Control unit.....	10
-------------------	----

Display.....	10
--------------	----

Inserting in wall bracket.....	14
--------------------------------	----

Overview of connections.....	9
------------------------------	---

Current charging session.....	21
-------------------------------	----

## D

Data protection notice.....	4
-----------------------------	---

Data transmission.....	19
------------------------	----

Date of manufacture.....	41
--------------------------	----

Declaration of Conformity.....	41
--------------------------------	----

Device protection.....	20
------------------------	----

## Display

Language and country.....	19
Menu bar.....	11
Navigation.....	11
Status bar.....	10

Disposal.....	38
---------------	----

## E

Energy manager.....	20
---------------------	----

Adding.....	28
-------------	----

Adjust charging current.....	20
------------------------------	----

Pairing.....	28
--------------	----

## Establishing network connections

Hotspot.....	27
--------------	----

Powerline Communication (PLC).....	28
------------------------------------	----

WiFi.....	27
-----------	----

Exporting charging history.....	27
---------------------------------	----

## F

Fixed electrical connection.....	39
----------------------------------	----

Further information.....	4
--------------------------	---

## G

Getting started.....	19
----------------------	----

## Go to the operating instructions

Data protection notice.....	4
-----------------------------	---

Further information.....	4
--------------------------	---

## Ground monitoring

Activating.....	25
-----------------	----

Deactivating.....	24
-------------------	----

Grounding.....	6
----------------	---

## H

Home network.....	19
-------------------	----

Host name.....	27
----------------	----

IP address.....	27
-----------------	----

Host name.....	27
----------------	----

Hotspot.....	20
--------------	----

Setup.....	27
------------	----

## I

Identification plate.....	41
---------------------------	----

Importers.....	41
----------------	----

Inserting the control unit in the charging dock.....	33
--	----

Installing the Basic Wall Mount.....	13
--------------------------------------	----

Installing the plug holder.....	13
---------------------------------	----

Intended use.....	7
-------------------	---

IP address.....	27
-----------------	----

## L

Language and country.....	19
---------------------------	----

Link Porsche ID.....	20
----------------------	----

Linking user accounts.....	20, 29
----------------------------	--------

Logging into the charger.....	21
-------------------------------	----

Loss of access data.....	8
--------------------------	---

## Index

### M

Maintenance.....	37
Malfunctions.....	34
Manufacturer.....	41

### O

Operating instructions.....	22
Operating options.....	11

### P

Pictograms.....	4
PIN and PUK	
Change password.....	8
loss.....	8
Porsche ID.....	9
Power cable.....	14
for house socket.....	16
for industrial socket.....	16
Production information.....	41

### R

Removing the control unit from the charging dock	33
--	----

### S

Safety instructions.....	5
Sale of the charger.....	9
Scope of supply.....	8
Securing during transport.....	36
Selecting a Network.....	19
Selecting the installation location.....	12
Serial number.....	41
Set up PIN prompt.....	20
Set-up assistant.....	21
Software update.....	19
Specifying the account.....	29
Symbols in this manual.....	2

### T

Technical data	
Electrical data.....	39
Mechanical data.....	39
Mechanical data charging dock.....	39
Mechanical data Wall bracket base.....	39
Tool box.....	13
Tools required.....	13
Total energy consumption	
Current charging session.....	21
Transport, securing charger.....	36

### V

Vehicle charge port.....	23
Vehicle charging cable	
cable and connector types.....	14

### W

Warning notices structure.....	2
Web application	
Initializing.....	21
Password loss.....	9
Web Application	
Access data.....	9
Hotspot.....	25
Initial password.....	9
Opening.....	25
Password change.....	9
WiFi.....	25
WiFi network	
Connecting.....	27
Disconnecting.....	27
Invisible network.....	27
Managing.....	27

# À propos de ce manuel du propriétaire

## Avertissements et symboles

Le présent manuel contient différents types d'avertissements et de symboles.



Préjudices corporels graves, voire mortels

Le non-respect des avertissements de la catégorie «Danger» entraînera des préjudices corporels graves, voire mortels.



Éventuels préjudices corporels graves, voire mortels

Le non-respect des avertissements de la catégorie «Avertissement» peut entraîner des préjudices corporels graves, voire mortels.



Éventuels préjudices corporels modérés ou mineurs

Le non-respect des avertissements de la catégorie «Mise en garde» peut entraîner des préjudices corporels modérés ou mineurs.

**AVIS**

Risque de dommages au véhicule

Le non-respect des avertissements de la catégorie «Avis» peut endommager le véhicule.



### Information

Les informations supplémentaires sont indiquées en utilisant le mot «Information».

- ✓ Conditions préalables à remplir pour utiliser une fonction.
  - ▶ Instructions à respecter.
  - 1. Les instructions sont numérotées dans les cas où une séquence d'étapes doit être respectée.
  - 2. Directives à suivre sur l'écran central.
- ▶ Indique où vous pouvez trouver plus d'informations sur un sujet.

## Contenu

### Deutsch

#### Aller aux directives d'utilisation

Légende des pictogrammes.....	47
Avis sur la protection des données.....	47
Pour plus d'information.....	48

#### Sécurité

Consignes de sécurité.....	48
Usage prévu.....	50

#### Étendue de la fourniture

Données d'accès.....	51
----------------------	----

#### Aperçu

Connexions au module de commande.....	52
Module de commande du chargeur.....	53
Affichages et commandes sur l'écran.....	53

#### Choix de l'emplacement de l'installation.....

#### Outils requis.....

#### Montage

Montage de l'installation murale.....	56
---------------------------------------	----

#### Configuration

Recharge du véhicule et câbles d'alimentation....	57
Mise en service et configuration.....	63
Première utilisation de l'application Web.....	64
Ouverture de session pour le chargeur.....	65
Début de la configuration du chargeur.....	65
Aperçu.....	65

#### Fonctionnement

Notice technique d'utilisation.....	66
Recharge.....	66
Ouverture de session dans l'application Web.....	69
Utilisation de l'application Web.....	70
Station de recharge.....	77

#### Dysfonctionnements.....

#### Transport.....

#### Nettoyage et entretien.....

#### Élimination.....

#### Caractéristiques techniques

Plaquette d'identification.....	87
Renseignements sur la fabrication.....	87
Importateurs.....	87

#### Index.....

## Aller aux les directives d'utilisation

### Légende des pictogrammes

Selon les pays, différents pictogrammes peuvent être apposés sur le chargeur.



Faites fonctionner le chargeur dans une plage de température située entre  $-30\text{ }^{\circ}\text{C}$  et  $+50\text{ }^{\circ}\text{C}$  ( $-22\text{ }^{\circ}\text{F}$  et  $+122\text{ }^{\circ}\text{F}$ ).



Le chargeur ne doit pas être utilisé à des altitudes supérieures à  $5\,000\text{ m}$  ( $16\,404\text{ pi}$ ) au-dessus du niveau de la mer.



Le chargeur est équipé d'un fil de terre non commuté.



Le chargeur est équipé d'un fil de terre commuté.



Mettez le chargeur au rebut dans le respect de toutes les dispositions en vigueur concernant l'élimination des déchets.



N'utilisez ni rallonges ni enrouleurs de câble.



N'utilisez pas d'adaptateur (de voyage).



N'utilisez pas de multiprises.



N'utilisez pas de chargeur présentant des câbles de connexion ou électroniques endommagés.



Risque de décharge électrique en raison d'une utilisation inadéquate.



Suivez les directives du manuel du propriétaire correspondant, notamment en ce qui concerne les avertissements et les consignes de sécurité.



La surface du chargeur peut devenir très chaude.



Ne branchez pas le chargeur sur un circuit électrique non mis à la terre (p. ex., réseau informatique). Utilisez le chargeur uniquement sur un circuit électrique mis à la terre.



Utilisez le chargeur uniquement sur un circuit électrique monophasé.



Le chargeur requiert une alimentation électrique en C.A.



Indique la prise de courant de type 1 avec une plage de tension  $\leq 250\text{ V C.A.}$



Indique la prise de courant de type 2 avec une plage de tension  $\leq 480\text{ V C.A.}$

## Avis sur la protection des données

Afin d'assurer la bonne communication et la mise à jour régulière de votre équipement de recharge Porsche, l'équipement de recharge enverra les données suivantes, propres à l'équipement, à Porsche au format chiffré et à intervalle régulier, et traitera les données suivantes: ID du dispositif, marque, génération, type de dispositif et version du logiciel.

Si vous souhaitez également avoir la possibilité d'utiliser d'autres services Porsche Connect pour l'équipement de recharge, vous devez associer votre équipement de recharge à votre compte ID Porsche, qui est disponible chez le distributeur Porsche Connect dans certains marchés. Lors de l'utilisation des services Porsche Connect, les données personnelles suivantes et d'autres données propres aux appareils nécessaires à la fourniture des services sont transmises à Porsche et y sont traitées: ID client, statistiques, informations relatives à l'historique de recharge, état, état de connexion et horodateur pour la dernière communication établie. Vous trouverez des informations plus détaillées sur les conditions générales et la politique de confidentialité à l'adresse [www.porsche.com/connect-store](http://www.porsche.com/connect-store).

La transmission régulière de données pour votre équipement de recharge peut entraîner des coûts supplémentaires auprès de votre fournisseur Internet. Les données que vous avez enregistrées chez Porsche peuvent être irrévocablement supprimées au moyen de My Porsche. En raison de restrictions techniques ou juridiques, certains des services Porsche Connect pour l'équipement de recharge Porsche ne sont pas disponibles dans tous les pays.

## Pour plus d'information

De plus amples informations sur le chargeur et l'application Web sont disponibles dans la zone « E-Performance » à l'adresse <https://www.porsche.com>.

## Sécurité

### Consignes de sécurité



Électrocution, court-circuit, incendie, explosion

L'utilisation d'un chargeur endommagé ou inapproprié, et d'une prise électrique endommagée ou inappropriée, l'utilisation inadéquate du chargeur ou le non-respect des consignes de sécurité peut entraîner des courts-circuits, des décharges électriques, des explosions, des incendies ou des brûlures.

- ▶ Utilisez uniquement les accessoires, à savoir les câbles du véhicule et d'alimentation, qui ont été approuvés et fournis par Porsche.
- ▶ N'utilisez pas un chargeur endommagé ou souillé. Vérifiez l'état et la propreté du branchement entre le câble et la fiche.
- ▶ Branchez le chargeur uniquement sur des prises électriques intactes correctement installées ainsi que sur des installations électriques en bon état.
- ▶ N'utilisez pas un câble de rallonge, un dévidoir, une multiprise ni un adaptateur (de voyage).
- ▶ Débranchez le chargeur du réseau électrique durant un orage.
- ▶ Ne modifiez ni ne réparez aucun des composants électriques.
- ▶ Ne faites appel qu'à des experts pour corriger les anomalies et effectuer des réparations sur le chargeur.



Électrocution, incendie

Une prise électrique incorrectement installée risque de provoquer une électrocution ou un incendie lors de la recharge de la batterie haute tension à l'aide de la borne de recharge du véhicule.

- ▶ L'installation et la vérification de la source d'alimentation ainsi que la mise en service de la prise électrique destinée au chargeur doivent être effectuées par un électricien qualifié. L'électricien qualifié est entièrement responsable du respect des normes et des règlements en vigueur. Porsche recommande de recourir à un partenaire d'entretien Porsche agréé.
- ▶ Utilisez le chargeur uniquement sur un circuit électrique mis à la terre. Ne branchez pas le chargeur sur un circuit électrique non mis à la terre (p. ex., réseau informatique).
- ▶ La section transversale du câble d'alimentation raccordé à la prise électrique dépend de la longueur du câble ainsi que des normes et des règlements locaux.
- ▶ Pour garantir une recharge continue, nous recommandons d'utiliser uniquement des prises électriques branchées sur un circuit électrique protégé par un fusible distinct.
- ▶ Le chargeur est conçu pour être utilisé dans le secteur privé et semi-public, p. ex., sur une propriété privée ou dans le stationnement d'une entreprise. Dans certains pays, p. ex., en Italie et en Nouvelle-Zélande, la recharge en mode 2 est **interdite** dans les lieux publics. Renseignez-vous auprès de votre concessionnaire Porsche agréé ou de votre fournisseur local d'électricité.

- ▶ Les personnes non autorisées (p. ex., enfants en train de jouer) et les animaux ne doivent avoir aucun accès au chargeur ni au véhicule durant une recharge sans surveillance.
- ▶
  - ▷ Veuillez lire les consignes de sécurité énoncées dans les directives d'installation et le Manuel du propriétaire.

**⚠ DANGER**

Électrocution, incendie

Une manipulation inappropriée des contacts de la fiche peut entraîner une électrocution ou un incendie.

- ▶ Ne touchez pas aux contacts de la borne de recharge du véhicule ni du chargeur.
- ▶ N'insérez aucun objet dans la borne de recharge du véhicule ni dans le chargeur.
- ▶ Protégez les fiches électriques et les connexions de l'humidité, de l'eau et d'autres liquides.

**⚠ ALERTE**

Vapeurs inflammables ou explosives

Les composants du chargeur peuvent déclencher des étincelles et ainsi enflammer des vapeurs inflammables ou explosives.

- ▶ Afin de réduire le risque d'explosions, –tout particulièrement dans les garages–, veuillez à ce que le module de commande se trouve à au moins 50 cm (19,7 po) au-dessus du sol lors de la recharge.
- ▶ N'installez pas le support mural de base dans des endroits potentiellement explosifs.



REMARQUE: Ce dispositif a été testé et déclaré conforme aux limites des appareils numériques de la classe B, selon la section 15 des règlements de la Commission fédérale de télécommunications américaine (FCC).

Ces limites sont conçues pour assurer une protection raisonnable contre un brouillage préjudiciable lorsque l'appareil est utilisé dans un milieu résidentiel. Ce dispositif génère, utilise et peut diffuser de l'énergie sur les fréquences radio et, s'il n'est pas installé et utilisé conformément aux directives, il peut brouiller les communications radio. Toutefois, rien ne garantit que des brouillages ne surviendront pas pour des installations particulières. Si le Wall Charger Connect brouille les signaux radio ou de télévision, ce qui peut être déterminé en éteignant et en rallumant le dispositif, l'utilisateur devrait tenter de corriger le brouillage par un ou plusieurs des moyens suivants:

- réorienter ou relocaliser l'antenne de réception;
- éloigner le dispositif du récepteur;
- brancher le dispositif dans une prise dont le circuit diffère de celui qui alimente le récepteur;
- consulter le concessionnaire ou un technicien qualifié dans le domaine de l'audiovisuel pour obtenir de l'aide.

Conformément aux règlements de la Commission fédérale des télécommunications américaine (FCC), toute changement ou modification non expressément approuvée par le fabricant peut annuler l'autorisation accordée à l'utilisateur de faire usage de l'équipement. Le présent appareil est conforme aux CNR d'Industrie Canada applicables aux appareils radio exempts de licence. L'exploitation est autorisée aux deux conditions suivantes : (1) l'appareil ne doit pas produire de brouillage, et (2) l'utilisateur de l'appareil doit accepter tout brouillage radioélectrique subi, même si le brouillage est susceptible d'en compro-

mettre le fonctionnement. Cet appareil numérique de la classe B est conforme à la norme NMB-003 du Canada. Déclaration d'exposition aux radiations: Cet équipement est conforme aux limites d'exposition aux rayonnements IC établies pour un environnement non contrôlé. Cet équipement doit être installé et utilisé avec un minimum de 20 cm de distance entre la source de rayonnement et votre corps.

Pour garantir une recharge continue à l'aide du chargeur, veuillez vous conformer aux directives et aux recommandations suivantes:

- Lors de l'installation de la nouvelle prise électrique, optez pour une prise électrique industrielle affichant la puissance la plus élevée disponible (adaptée à l'installation électrique résidentielle) et faites appel à un électricien qualifié pour la mettre en service. Porsche recommande de recourir à un partenaire d'entretien Porsche agréé.
- Dans la mesure du possible selon les normes techniques et juridiques, l'installation électrique doit être aménagée afin que la puissance nominale maximale de la prise électrique soit toujours disponible pour recharger le véhicule.
- Avant l'installation, vérifiez que l'alimentation supplémentaire nécessaire à la recharge d'un véhicule peut être fournie en continu par l'installation résidentielle actuellement disponible. Protégez l'installation résidentielle à l'aide d'un système de gestion de l'énergie, comme il convient.
- Si vous avez des doutes quant à l'installation électrique résidentielle, faites-la vérifier par un électricien qualifié. Porsche recommande de recourir à un partenaire d'entretien Porsche agréé.
- Si vous avez l'intention d'utiliser le chargeur avec un système photovoltaïque, communiquez avec un concessionnaire Porsche agréé.

- Pour utiliser de façon optimale les capacités du chargeur et pour garantir une recharge rapide, utilisez des prises électriques NEMA de la capacité nominale la plus élevée possible et appropriée pour la fiche électrique ou les prises industrielles conformes à la norme CEI 60309.
- Durant la recharge de la batterie haute tension au moyen d'une prise électrique résidentielle ou industrielle, l'installation électrique peut être sollicitée au maximum de sa capacité. Porsche recommande de faire vérifier régulièrement l'installation électrique utilisée pour la recharge par un électricien qualifié. Demandez à un électricien qualifié quels sont les intervalles d'inspection adaptés à votre installation. Porsche recommande de recourir à un partenaire d'entretien Porsche agréé.
- À la livraison, le courant de recharge est automatiquement limité afin d'éviter une surchauffe de l'installation électrique. Demandez à un électricien qualifié de mettre le chargeur en service et de régler la limite du courant de recharge en fonction de l'installation résidentielle.
  - ▷ Consultez le chapitre «Limitation du courant de recharge» à la page 68.

### Directives de mise à la terre

Le chargeur doit être mis à la terre.

En cas d'anomalie ou de panne, la mise à la terre permet d'évacuer le courant électrique avec une résistance moindre pour réduire le risque d'électrocution.

Le chargeur est équipé d'un cordon muni d'un conducteur et d'une fiche de mise à la terre. La fiche doit être branchée sur une prise appropriée dûment installée et mise à la terre conformément à tous les codes et règlements en vigueur.

### ALERTE

Électrocution, court-circuit

Tout raccordement inapproprié du conducteur de mise à la terre de l'équipement peut entraîner un risque d'électrocution.

- ▶ Adressez-vous à un électricien ou à un technicien qualifié si vous avez des doutes sur la mise à la terre du produit.
- ▶ Ne modifiez pas la fiche fournie avec le produit. Si elle n'est pas adaptée à la prise électrique, faites installer une prise électrique appropriée par un électricien qualifié.

### Usage prévu

Chargeur avec commande intégrée et protection pour la recharge en mode 2 des véhicules à batterie haute tension répondant aux normes et directives généralement applicables aux véhicules électriques.

- ▶ Utilisez toujours la version d'appareil appropriée pour le réseau électrique régional.
  - ▷ Consultez le chapitre «Caractéristiques techniques» à la page 85.

N'utilisez le chargeur qu'en tant qu'ensemble composé du câble d'alimentation, du module de commande et du câble du véhicule.

Convient à une utilisation extérieure.



## Étendue de la fourniture



Fig. 19: Étendue de la fourniture

- A** Câble d'alimentation (à brancher sur le module de commande)
- B** Fiche de raccordement au réseau électrique
- C** Module de commande
- D** Prise de courant du véhicule (prise du véhicule)
- E** Câble du véhicule (propre au pays: peut être amovible ou fixé au module de commande)
- F** Lettre contenant les données d'accès

### **i** Information

Composants en option: Plusieurs installations murales sont disponibles pour le chargeur en fonction des pays, p. ex., installation murale de base ou station de recharge.

## Données d'accès

Une lettre contenant toutes les données d'accès à Web Application dont vous avez besoin pour le chargeur et l'application Web est fournie avec votre appareil.

- Conservez cette lettre dans un endroit sûr.

### **i** Information

Si vous perdez les données d'accès valides à la livraison de votre dispositif, p. ex., le NIP prédéfini et le mot de passe initial, veuillez communiquer avec votre concessionnaire Porsche agréé.

- Disposez du numéro de série du chargeur à proximité.
  - Consultez le chapitre «Numéro de série du chargeur» à la page 52.

La lettre contenant les données d'accès comporte les données suivantes :

Désignation	Signification
Numéro de série	Numéro de série du chargeur
MAC Wi-Fi	Adresse MAC, interface Wi-Fi
GRILLE MAC	Adresse MAC de l'interface CPL résidentielle
Véhicule MAC	Adresse MAC de l'interface CPL du véhicule
SSID Wi-Fi	<ul style="list-style-type: none"> <li>- SSID du point d'accès Wi-Fi</li> <li>- Nom de l'hôte</li> </ul>

Désignation	Signification
PSK Wi-Fi	Code du réseau
Mot de passe pour l'utilisateur domicile	Mot de passe initial de l'application Web de l'utilisateur domicile
Mot de passe pour le service à la clientèle	Mot de passe initial de l'application Web du service à la clientèle
NIP	Numéro d'identification personnel
CDP	Code de déverrouillage personnel

### **i** Information

Le **Nom d'hôte** se compose des éléments suivants :

Chargeur + numéro de série (exemple : MobileChargerConnect-1234567)

### **i** Information

Le champ de sécurité contient les codes d'accès nécessaires (NIP et CDP). Ce champ comporte une encre spéciale qui recouvre ces codes. Les codes ne sont visibles que lorsque ce champ est humidifié avec de l'eau courante.

Ne frottez pas et ne grattez pas le champ en l'humidifiant, car les codes pourraient également être endommagés.

### NIP et CDP

Les NIP et CDP sont utilisés pour déverrouiller le chargeur.

- ▶ Si vous perdez ou oubliez un NIP que vous avez vous-même défini, déverrouillez le chargeur en saisissant le CDP et définissez un nouveau NIP.
- ▶ Si vous perdez ou oubliez le CDP, adressez-vous à votre concessionnaire Porsche agréé.

### Mot de passe de l'application Web

Le mot de passe est utilisé pour se connecter à Web Application.

Lors de l'utilisation du mot de passe initial :

- ▶ Si vous perdez ou oubliez le mot de passe initial, communiquez avec un concessionnaire Porsche agréé.

Lors de l'utilisation d'un mot de passe que vous avez vous-même défini :

- ▶ Si vous perdez ou oubliez un mot de passe que vous avez vous-même défini, réinitialiser aux réglages en usine du chargeur et réactiver le mot de passe initial (**Réglages** ⚙️ ▶ **Réglages en usine**).

### Numéro de série du chargeur

Le numéro de série du chargeur se trouve à différents endroits :

- Dans la lettre contenant les données d'accès après la désignation « Numéro de série »
- Sur la plaquette d'identification (à l'arrière du module de commande) après l'abréviation « SNSN »

- Sur le chargeur : **Réglages** ⚙️ ▶ **Service** ▶ **Information sur le dispositif**
- Dans l'application Web Web Application : **Réglages** ▶ **Entretien** ▶ **Information**

### Porsche ID

Lorsque le chargeur est associé à votre Porsche ID, les informations relatives au chargeur et les processus de recharge peuvent s'afficher dans My Porsche et dans Porsche Connect App.

Si vous n'utilisez plus le chargeur, p. ex., si vous le revendez :

1. Dissocier le chargeur de votre Porsche ID (**Réglages** ⚙️ ▶ **Profils d'utilisateur**).
2. Réinitialiser le chargeur aux réglages usine (**Réglages** ⚙️ ▶ **Réglages usine**).

## Aperçu

### Connexions au module de commande



Fig. 20: Connexions au module de commande

- A** Câble d'alimentation
- B** Câble du véhicule

Le câble d'alimentation **A** se débranche et se branche sur l'extrémité supérieure du module de commande.

Le câble du véhicule **B** se débranche et se branche sur l'extrémité inférieure du module de commande.

## Module de commande du chargeur

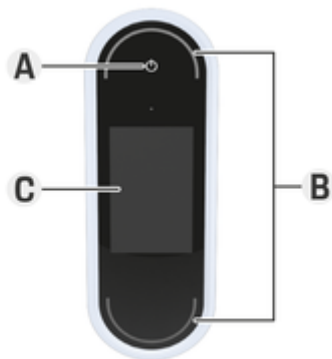


Fig. 21: Module de commande

- A** Bouton d'alimentation ☺
- B** DEL d'état ○
- C** Écran

Vous pouvez mettre le chargeur sous tension et hors tension en appuyant sur le bouton d'alimentation **A** (Fig. 21).

Les DEL d'état **B** (Fig. 21) indiquent l'état du chargeur.

La communication avec le chargeur se fait au moyen de l'affichage **C** (Fig. 21). Il affiche des informations et des messages d'erreur.

## Affichages et commandes sur l'écran

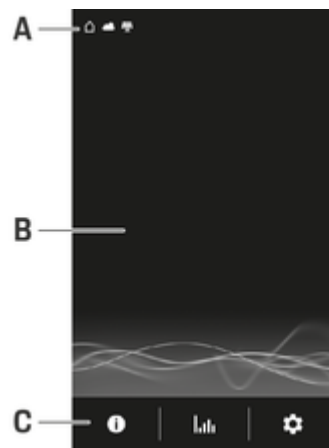


Fig. 22: Affichage du chargeur





- A** Barre d'état
- B** Zone d'information
- C** Barre de menu

Un capteur de luminosité contrôle la luminosité de l'affichage. La luminosité s'adapte automatiquement à l'éclairage ambiant.

### Barre d'état

Différents symboles peuvent s'afficher dans la barre d'état.










L'aperçu suivant montre la signification des symboles de la barre d'état.

Symbole	Signification
	Connexion Wi-Fi disponible
	Connexion au serveur disponible
	Téléchargement des mises à jour logicielles
	Connexion au réseau CPL disponible
	Point d'accès sans fil activé
	Un profil de recharge est activé dans le véhicule. Ce profil est chargé conformément aux réglages.
	Système photovoltaïque connecté

### Barre d'état

Différents symboles peuvent s'afficher dans la barre d'état.

L'aperçu suivant montre la signification des symboles de la barre d'état.

Symbole	Signification
	Connexion Wi-Fi disponible
	Connexion au serveur disponible
	Téléchargement des mises à jour logicielles
	Connexion au réseau CPL disponible
	Point d'accès sans fil activé
	Moniteur de mise à la terre désactivé (Canada, Mexique)
	Le chargeur est connecté à un gestionnaire d'alimentation
	Un profil de recharge est activé dans le véhicule. Ce profil est chargé conformément aux réglages.
	Système photovoltaïque connecté





## Information

Selon l'importance, certains symboles se superposent et ne sont donc pas visibles (les symboles de priorité croissante comprennent par exemple : le réseau CPL < la connexion Wi-Fi < le gestionnaire d'alimentation).

## Barre de menu

Différents symboles peuvent s'afficher dans la barre de menu.

L'aperçu suivant montre la signification des symboles de la barre de menu.

Symbole	Signification
	Affiche des renseignements au sujet du processus de recharge en cours
	Affiche l'historique de recharge
	Réglages
	Une mise à jour logicielle est disponible.

## Options de fonctionnement

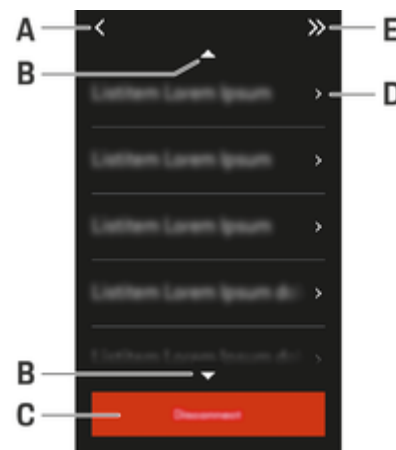


Fig. 23: Options de fonctionnement

- A** Précédent
- B** Haut/Bas
- C** Activité
- D** Détails
- E** Passer

## Choix de l'emplacement de l'installation

**⚠ DANGER**

Électrocution, incendie

L'utilisation non conforme du chargeur ou le non-respect des consignes de sécurité peuvent entraîner des courts-circuits, des chocs électriques, des explosions, des incendies ou des brûlures.

- ▶ Ne montez pas l'installation murale de base ou la station de recharge dans des zones potentiellement explosives.
- ▶ Avant de monter l'installation murale de base ou la station de recharge, assurez-vous qu'il n'y a pas de fils électriques dans la zone où les trous de fixation doivent être percés.
- ▶ Afin de réduire le risque d'explosions, tout particulièrement dans les garages, veillez à ce que le module de commande se trouve à au moins 50 cm (19,7 po) au-dessus du sol lors de la recharge.
- ▶ Respectez les prescriptions en matière d'installation électrique, les mesures de protection contre les incendies et les dispositions relatives à la prévention des accidents en vigueur au niveau local. Respectez également les voies d'évacuation.

L'installation murale de base et la station de recharge sont conçues pour les montages à l'intérieur comme à l'extérieur. Les critères suivants doivent être pris en compte lors de la sélection d'un emplacement d'installation approprié:

- Montez la prise électrique/câble d'alimentation, l'installation murale de base ou la station de recharge dans une zone couverte, à l'abri de la lumière directe du soleil et de la pluie (p. ex., dans un garage), si possible.
- Assurez-vous que la distance entre la prise électrique et le sol et le plafond est conforme aux normes et réglementations nationales, afin de garantir une utilisation confortable.
- Ne montez pas l'installation murale de base ou la station de recharge sous des objets suspendus.
- Ne montez pas l'installation murale de base ou la station de recharge dans des étables, des bâtiments d'élevage ou des endroits produisant des gaz d'ammoniaque.
- Montez l'installation murale de base ou la station de recharge sur une surface plane.
- Afin de garantir la solidité de l'installation, vérifiez l'état du mur avant le montage.
- Montez l'installation murale de base ou la station de recharge aussi près que possible de la place de stationnement souhaitée du véhicule. Tenez compte de l'orientation du véhicule.
- Montez l'installation murale de base ou la station de recharge de sorte que l'une ou l'autre ne soit pas à proximité des allées et que le câble d'alimentation ne traverse pas d'allées.
- Montez l'installation murale de base ou la station de recharge de sorte que la distance entre la fiche et la prise d'alimentation ne dépasse pas la longueur du câble d'alimentation fourni.

### Outils requis

- Niveau à bulle
- Perceuse ou perforateur électrique
- Tournevis

### Montage

#### Montage de l'installation murale

#### Montage de l'installation murale de base

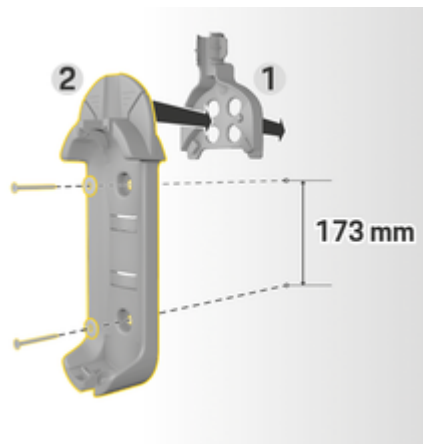


Fig. 24: Cotes de perçage

1. Marquez les trous de perçage sur le mur.
2. Percez les trous de montage et insérez les chevilles.
3. Pressez l'installation murale de base 2 (Fig. 24) dans le guide-câble 1 (Fig. 24) depuis l'avant.
4. Vissez l'installation murale de base au mur.

### Installation du support de prise

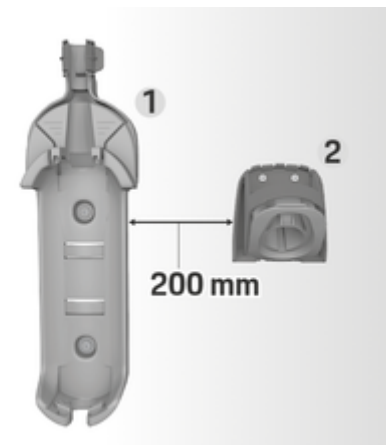


Fig. 25: Distance entre le support mural et le support de prise

Lors de l'installation du support de prise, veuillez à respecter une distance de 200 mm (7,9 po) par rapport à l'installation murale de base.

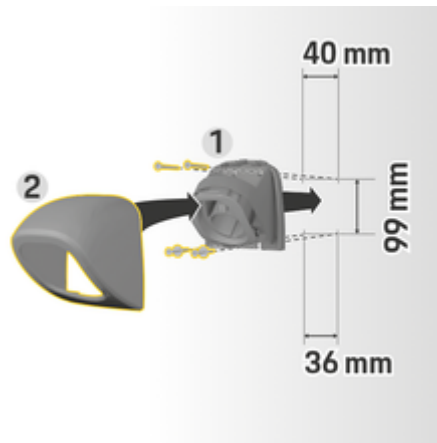


Fig. 26: Cotes de perçage

1. Retirez le support de prise **1** du couvercle (Fig. 26) **2** (Fig. 26).
2. Marquez les trous de perçage sur le mur.
3. Percez les trous de montage et insérez les chevilles.
4. Vissez le support de prise **1** (Fig. 26) dans le mur.
5. Placez le couvercle **2** (Fig. 26) sur le support de prise **1** (Fig. 26) par le bas et pressez vers le haut.

### Fixation du module de commande au support mural



Fig. 27: Fixation du module de commande

1. Acheminez le câble du véhicule par l'ouverture inférieure du support mural, insérez le module de commande sur les languettes de verrouillage et poussez vers l'arrière.
2. Acheminez le câble d'alimentation par l'ouverture supérieure du support mural et verrouillez l'anneau de retenue en poussant vers la gauche.
3. Insérez prudemment la prise de courant dans le support de prise.

## Configuration

### Recharge du véhicule et câbles d'alimentation

#### Informations sur les câbles et prises de recharge des véhicules

En fonction de l'équipement du véhicule propre au pays, différentes bornes de recharge **A** et prises de recharge **B** sont disponibles.



CEI 62196-2/  
SAE-J1772-2009  
Type 1 UL/CEI

#### Choix du câble d'alimentation

Pour une recharge régulière à vitesse de recharge optimale, utilisez exclusivement les câbles d'alimentation décrits ci-après. La puissance de recharge maximale est de 22 kW (en fonction de la version de l'équipement, du réseau électrique, de la connexion résidentielle et du chargeur de bord). Lors de trajets à l'étranger, emportez toujours avec vous le câble d'alimentation adapté au pays de votre destination.

**AVIS**

Dans certains pays, seuls des câbles d'alimentation peuvent être utilisés. Lors de trajets à l'étranger, emportez toujours avec vous le câble d'alimentation adapté au pays de votre destination.

## Configuration

Pays	Câbles d'alimentation pour prises électriques industrielles	Câbles d'alimentation pour prises électriques résidentielles
Argentine	5, 6, 7, 8	C
Bolivie, Paraguay, Uruguay, Saint-Martin	5, 6, 7, 8	B
Chili	5, 6, 7, 8	D
Pérou	5, 6, 7, 8	A

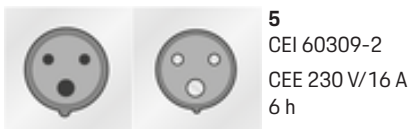
Homologation des câbles d'alimentation propres au pays (exemples)

Le câble du véhicule peut afficher une longueur de 2,5 ou de 7,5 mètres en fonction de la situation. La longueur totale du câble d'alimentation, du module de commande et du câble du véhicule est limitée dans certains pays, p. ex., 5 m en Suisse et 7,5 m en Israël et aux États-Unis.<sup>1)</sup>

1. À la date d'impression. Renseignez-vous auprès de votre concessionnaire Porsche agréé ou de votre fournisseur local d'électricité.



### Câbles d'alimentation pour prises électriques industrielles



### Câbles d'alimentation pour prises électriques résidentielles

Si aucune prise électrique industrielle n'est disponible, les câbles d'alimentation indiqués ci-dessous peuvent également être utilisés pour une recharge avec une puissance de recharge réduite.

- ▶ La recharge au moyen d'une prise électrique résidentielle est **interdite** dans certains pays, notamment à Abou Dhabi, en Israël, à Singapour et en Inde<sup>1</sup>.
- ▶ Au Canada, toute prise de courant destinée à la recharge des véhicules électriques doit avoir une puissance nominale d'au moins 20 A.



1. À la date d'impression. Renseignez-vous auprès de votre concessionnaire Porsche agréé ou de votre fournisseur local d'électricité.



**D**  
CEI 23-16-VII  
Type L 16 A (0,2 po  
(5 mm))

### NEMA 6-50/NEMA 14-50 (Information supplémentaire)

#### Information

Champ d'application

Cette recommandation d'utilisation ne concerne que les régions suivant la norme NEMA 6-50/NEMA 14-50.

La recharge de votre véhicule peut entraîner un courant électrique élevé. Pour des raisons de sécurité, vous ne devez qu'utiliser des composants exclusivement approuvés à cette fin et vous devez faire installer l'équipement par un professionnel.

### Consignes de sécurité générales

**DANGER**

Électrocution et incendie!

L'utilisation inappropriée de l'équipement de recharge et le non-respect des consignes d'installation et de sécurité peuvent provoquer des courts-circuits, des électrocutions, des explosions, des incendies ou des brûlures.

- ▶ Veuillez lire les instructions d'installation du manuel d'utilisation de votre équipement de recharge.
- ▶ Portez particulièrement attention aux instructions de sécurité et aux avertissements qui y sont contenus.
- ▶ Faites installer l'équipement par un électricien professionnel possédant la formation et l'expertise nécessaires.
- ▶ Portez également attention à la réglementation concernant les installations électriques dans votre pays.

### Exigences relatives à la prise de courant

**DANGER**

Prises de courant inappropriées

Une prise de courant inappropriée peut provoquer un court-circuit, une décharge électrique, une explosion, un incendie ou des brûlures.

- ▶ Utilisez uniquement un type de prise de courant adapté à cette installation (voir **Types de prise de courant/fiches d'alimentation convenables**).
- ▶ N'utilisez que des prises de courant répondant aux exigences de qualité des surfaces de contact et de serrage (voir **Exigences de qualité des prises de courant**).
- ▶ Évitez tout contact direct entre les vis de serrage et le fil. Il est préférable d'utiliser des gaines aux extrémités des fils.
- ▶ Évitez de serrer le fil à l'isolant.

Prise de courant convenable/types de fiche d'alimentation

– NEMA 6-50

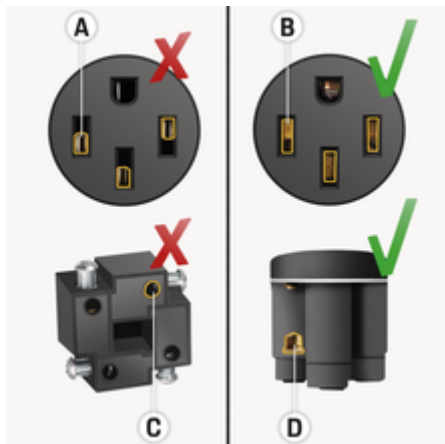


NEMA 6-50  
Douille/prise



NEMA 14-50  
Douille/prise

Exigences relatives à la qualité des prises de courant



- A** La surface de contact ne fait que la moitié de la hauteur de contact de la fiche
- B** La surface de contact fait plus que la hauteur de contact de la fiche
- C** Surface de contact minimale entre la vis de serrage et le fil toronné.
- D** Surface de contact large entre la plaque de serrage et le fil toronné

#### Exigences relatives à l'installation du câble

**⚠ DANGER**

Câble d'alimentation inapproprié

L'utilisation de câbles d'alimentation inappropriés ou de courants excessivement élevés peut provoquer un court-circuit, une décharge électrique, une explosion, un incendie ou des brûlures.

- ▶ Le câble doit être protégé par un fusible de 50A.
- ▶ N'utilisez qu'un câble en cuivre d'un calibre américain minimal de 8, idéalement de 6.

#### Exigences relatives à une installation à l'extérieur

**⚠ DANGER**

Contact direct avec la pluie

Le contact direct de l'équipement de recharge extérieur avec la pluie peut provoquer un court-circuit, une décharge électrique, une explosion, un incendie ou des brûlures.

- ▶ Évitez tout contact direct entre l'équipement de recharge et la pluie.
- ▶ Utilisez un boîtier étanche à la pluie NEMA3R.

#### Remplacement des câbles d'alimentation et des câbles du véhicule

**⚠ DANGER**

Décharge électrique

Risque de blessure grave ou mortelle par électrocution.

- ▶ Débranchez toujours le câble d'alimentation de la prise électrique et débranchez le câble du véhicule de la borne de recharge du véhicule avant de remplacer le câble d'alimentation.
- ▶ Remplacez un câble uniquement dans un environnement sec.
- ▶ Utilisez seulement des câbles homologués par Porsche.

▶ Consultez le chapitre «Étendue de la fourniture» à la page 51.

Dans certains pays, comme la Norvège, l'Italie, le Portugal et l'Espagne<sup>1</sup>, le câble d'alimentation peut uniquement être remplacé par un électricien qualifié. Porsche recommande de recourir à un partenaire d'entretien Porsche agréé.

1. À la date d'impression. Renseignez-vous auprès de votre concessionnaire Porsche agréé ou de votre fournisseur local d'électricité.

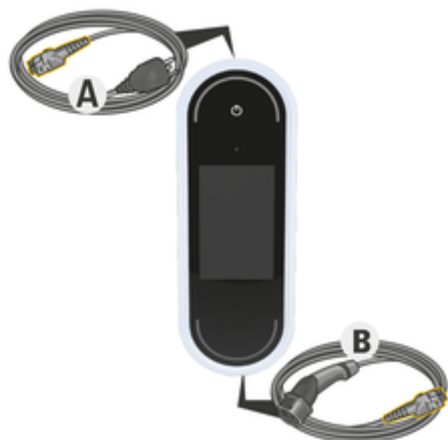


Fig. 28: Connexions au module de commande

Le câble d'alimentation **A** se débranche et se branche sur l'extrémité supérieure du module de commande.

Le câble du véhicule **B** se débranche et se branche sur l'extrémité inférieure du module de commande.

### Débranchement des câbles

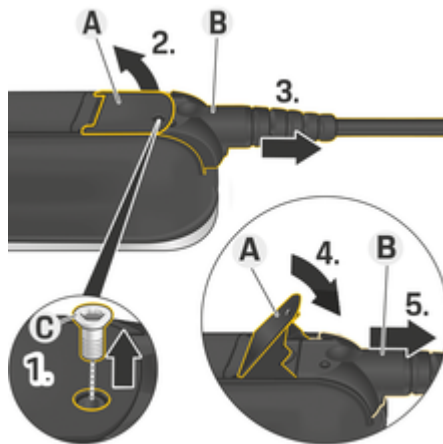


Fig. 29: Débranchement des câbles

- ✓ La recharge de la batterie haute tension est terminée et la prise de courant du véhicule est débranchée de la borne de recharge du véhicule.
  - ✓ La fiche a été débranchée de la prise électrique.
1. Retirez la vis **C** (Fig. 29) à l'aide d'un outil adéquat.
  2. Levez le levier **A** (Fig. 29).
  3. Tirez la fiche **B** (Fig. 29) jusqu'au premier point de résistance.
  4. Abaissez le levier **A** (Fig. 29).
  5. Débranchez entièrement la fiche **B** (Fig. 29).

### Fixation des câbles

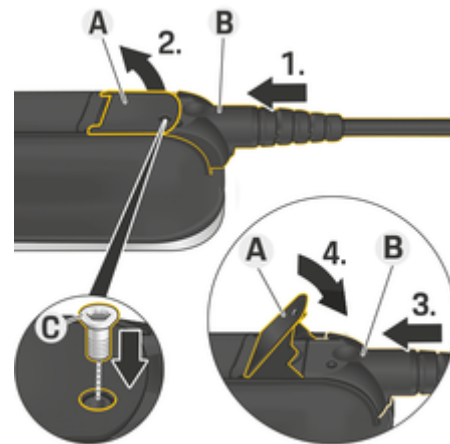


Fig. 30: Fixation des câbles et des fiches


- ✓ Le levier **A** (Fig. 30) est abaissé.
1. Insérez la fiche **B** (Fig. 30) dans le module de commande jusqu'au premier point de résistance.
  2. Levez le levier **A** (Fig. 30).
  3. Insérez entièrement la fiche **B** (Fig. 30).
  4. Abaissez le levier **A** (Fig. 30).
  5. Fixez la fiche **B** (Fig. 30) au module de commande à l'aide de la vis **C** (Fig. 30).

## Mise en service et configuration

### Prise en main

Configurez les réglages suivants avant d'utiliser le chargeur une première fois.

#### Information

- Les options avec la mention **Passer** peuvent être ignorées. Un réglage n'est pas configuré dans ce cas.
- Les réglages peuvent toujours être modifiés sur l'affichage .

### Langue et pays

1. Sélectionnez une langue dans la liste. Confirmez votre sélection.
2. Sélectionnez un pays dans la liste.
3. Confirmez la langue et le pays sélectionnés.

### Transmission de données

- ▶ Lisez et confirmez les directives pour la transmission des données.

### Mises à jour logicielles

Afin de garantir la pleine fonctionnalité et le fonctionnement fiable du chargeur, la version logicielle la plus récente doit toujours être installée.

- ▶ Sélectionnez et confirmez la mise à jour logicielle automatique.

**Activé** Le chargeur vérifie si des mises à jour logicielles sont disponibles et les télécharge automatiquement.

L'installation peut alors être démarrée directement ou reportée à plus tard.

**Arrêt** Le chargeur vérifie si des mises à jour logicielles sont disponibles et affiche un message correspondant. Le téléchargement peut alors être lancé manuellement.

Une fois le téléchargement terminé, l'installation peut alors être démarrée directement ou reportée à plus tard.

Si une connexion Internet avec le chargeur ne peut être établie, les mises à jour logicielles peuvent également être téléchargées manuellement en passant par l'adresse Web dans la zone **E-Performance** (<https://www.porsche.com>) et installées au moyen de l'application Web.

### Sélection d'un réseau

Sélectionnez l'option de connexion à un réseau résidentiel. L'option peut être ignorée avec **Passer**. Ensuite, aucune connexion n'est établie avec un réseau domestique. Lorsque le chargeur est connecté à un réseau domestique existant, des fonctions et informations avancées sont disponibles. La connexion est possible par WiFi ou par un réseau de courants porteurs en ligne (CPL). Si aucun réseau domestique n'est disponible, un point d'accès sans fil peut être configuré sur le chargeur.

#### Information

Les réseaux Wi-Fi publics sans protection par mot de passe ne sont pas pris en charge et ne peuvent pas être utilisés.

### Connexion par Wi-Fi


1. Sélectionnez l'option **Wi-Fi**.
2. Sélectionnez le réseau résidentiel dans la liste des réseaux Wi-Fi détectés.
3. Saisissez, puis confirmez votre mot de passe.

### Connexion par bouton jumelage CPL

1. Sélectionnez l'option **Bouton jumelage CPL**.
2. Lancez le processus de configuration de la connexion sur le modem CPL. Confirmez en appuyant sur **OK** sur le chargeur.

Une fois que la configuration est connectée, confirmez en sélectionnant **Connecter**.


➔ La connexion au réseau CPL est établie.

Si une connexion au réseau CPL est établie, le symbole  s'affiche dans la barre d'état.

### Connexion par code de sécurité CPL

Pour cette méthode, il faut utiliser un appareil sur lequel est installé le logiciel de contrôle du réseau CPL.

1. Pour établir une connexion à un réseau CPL à l'aide du code de sécurité, sélectionnez **Code de sécurité CPL**.
  - ➔ Le code de sécurité s'affiche à l'écran.
2. Saisissez le code de sécurité dans le menu pertinent du logiciel de contrôle pour le réseau CPL afin d'intégrer le chargeur au réseau CPL.
  - ➔ La connexion au réseau CPL est établie.

Si une connexion au réseau CPL est établie, le symbole  s'affiche dans la barre d'état.

#### Information

Caractéristiques CPL :

- Interfaces séparées vers le véhicule et vers l'infrastructure
- CPL selon IEEE P1901
- Prise de maison AV
- Chiffrement : 128-bit AES
- Bande de fréquence : 2-30 MHz

### Profils d'utilisateur (User Profiles (Appariement PorscheID))

Lorsque le chargeur est associé à votre ID Porsche, les informations relatives au chargeur et les processus de recharge peuvent s'afficher dans My Porsche ou dans l'appli Porsche Connect.

#### Pour associer le chargeur à votre ID Porsche:

- ▶ Invoquez le site Web indiqué sur l'affichage du chargeur dans le navigateur de votre dispositif et saisissez le code utilisateur.
  - ou -
- ▶ Balayez le code QR affiché sur le chargeur. Vous pouvez balayer le code QR comme suit:
  - À l'aide de l'appli Porsche Connect (**Mon compte > Câbles de recharge et dispositifs > Balayer le code QR**).
  - À l'aide de la caméra de votre dispositif (iOS 11 ou supérieur, différent pour Android).
  - À l'aide d'une application dédiée pour le balayage des codes QR.

Lorsque le chargeur est correctement associé, l'Assistant d'installation passe à l'étape suivante.

### Connecter le gestionnaire d'alimentation

Si un gestionnaire de l'énergie est disponible, il est possible d'établir une connexion avec ce dernier. Le gestionnaire d'alimentation prend alors le contrôle du processus de recharge.

- ▶ Pour les instructions de connexion, reportez-vous aux directives d'utilisation du gestionnaire d'alimentation.

Si aucun gestionnaire de puissance n'est disponible, le véhicule sera rechargé au courant de recharge saisi sur le chargeur :


#### ▶ Réglages ▶ Régler courant recharge

▶ Consultez le chapitre «Régler le courant de recharge» à la page 64.

### Point d'accès

Si l'intégration dans un réseau résidentiel n'est pas possible, le chargeur peut activer un point d'accès sans fil et établir une connexion à l'application Web.

- ▶ Pour activer un point d'accès sans fil, cliquez sur **Activer point d'accès sans fil**.

Une fois qu'un point d'accès a été activé, le symbole  s'affiche dans la barre d'état.

### Information

Avec les systèmes Android, il se peut que la connexion doit être confirmée séparément pour qu'une connexion au point d'accès sans fil soit établie.

### Régler le courant de recharge

En l'absence de gestionnaire d'alimentation sur le réseau résidentiel, le courant de recharge maximal autorisé pour le chargeur peut être défini ici.

La valeur maximale affichée est déterminée par les types de câbles qui sont connectés.

- ▶ Définissez le courant de recharge sur la valeur maximale disponible dans le réseau électrique utilisé pour le chargeur. Utilisez les boutons **Plus** et **Moins** pour ce faire.
- ▶ Consultez le chapitre «Limitation du courant de recharge» à la page 68.

### Protection de l'appareil

Pour éviter qu'un véhicule non autorisé ne soit connecté au chargeur, une invite exigeant le NIP peut être configurée.

1. Pour activer l'invite du NIP, sélectionnez **Activé**.
2. Entrez un NIP à 4 chiffres et confirmez.
3. Entrez le NIP de nouveau et confirmez-le.
  - ➔ L'activation de l'invite du NIP est confirmée.

### Finalisation du processus de configuration

- ▶ Vérifiez les réglages que vous avez saisis à l'aide de l'option **Sommaire** et terminez l'installation.

### Première utilisation de l'application Web

Avant de pouvoir utiliser le chargeur et le Web Application pour une utilisation quotidienne, il faut d'abord configurer le chargeur. Ensuite, vous devez établir une connexion entre votre appareil (PC, tablette ou téléphone intelligent) et le chargeur.

### Exigences pour la première utilisation de l'application Web

Ayez en main les informations suivantes lors de la première utilisation de Web Application :

- La lettre contenant les données d'accès du Porsche Mobile Charger Connect pour ouvrir une session dans Web Application du chargeur
- Les données d'accès de votre réseau domestique
- Les données d'accès du profil d'utilisateur (pour l'associer à votre ID Porsche)

Les navigateurs suivants sont pris en charge par l'application Web :

- Google Chrome, version 57 ou une version ultérieure (recommandée)
- Mozilla Firefox, version 52 ou une version ultérieure (recommandée)
- Microsoft Internet Explorer, version 11 ou une version ultérieure
- Microsoft Edge
- Apple Safari, version 10 ou une version ultérieure

## Ouverture de session pour le chargeur

### **i** Information

Les données de connexion au chargeur trouvent dans la lettre ci-jointe contenant les données d'accès. Le champ de sécurité contient les codes d'accès (NIP et CDP). Ce champ comporte une encre spéciale qui recouvre ces codes.

Les codes ne sont visibles que lorsque ce champ est humidifié avec de l'eau courante.

Ne frottez pas et ne grattez pas le champ en l'humidifiant, car les codes pourraient également être endommagés.

- ✓ Le chargeur est activé.
  - ✓ La lettre contenant les données d'accès est en main.
1. Repérez le NIP dans la lettre. Pour ce faire, humidifiez le champ de sécurité pour que le NIP devienne visible.
  2. Entrez le NIP.

## Début de la configuration du chargeur

La configuration du chargeur s'effectue à l'aide de l'assistant de configuration, qui accompagne l'utilisateur tout au long des étapes d'installation. Vous devez terminer la configuration pour utiliser le chargeur convenablement.

► Veuillez lire les instructions d'utilisation du Porsche Mobile Charger Connect pour en savoir plus sur la configuration du chargeur.

## Aperçu

L'application Web offre davantage d'options de réglages que celles du dispositif.



Fig. 31: Aperçu de l'application Web

### A Session de recharge courante

Affiche l'information de la session de recharge courante, comme l'heure de début et la durée de la session de recharge.

### B État du dispositif

Affiche l'information sur le dispositif, par exemple:

- l'état de recharge actuel;
- la connexion réseau utilisée;
- l'état de connexion au gestionnaire d'alimentation (le cas échéant);
- la disponibilité d'une mise à jour logicielle;
- la désactivation du moniteur de mise à la terre.

### C Capacité de recharge actuelle

Le flux de courant de l'alimentation électrique (en kilowatts) du chargeur à la charge. Progression de la courbe : La courbe montrée indique la progression temporelle de la puissance de recharge à partir du début de la recharge ainsi que la consommation d'énergie totale (en kilowatts). Dans la courbe, sélectionnez une heure pour consulter la puissance de recharge instantanée.

### D Consommation

La consommation d'énergie totale de la session de recharge actuelle (en kilowattheures).

### E État de charge

La couleur utilisée dans l'aperçu indique l'état de recharge du dispositif:

- Rouge: message d'erreur;
- Bleu: recharge en pause;
- Vert: le véhicule est en cours de recharge;
- Blanc : aucun véhicule n'est branché au chargeur.

### Fonctionnement Notice technique d'utilisation

Dans certains pays, les autorités compétentes doivent être informées lorsque vous branchez un équipement de recharge pour véhicule électrique.

- ▶ Vérifiez l'obligation d'informer les autorités et les exigences légales de fonctionnement avant de connecter l'équipement de charge.

#### AVIS

Domage du chargeur

- ▶ Placez toujours le chargeur sur une surface stable pendant la recharge.
- ▶ Porsche recommande d'utiliser le chargeur dans la prise murale de base ou la station de recharge. Dans certains pays, p. ex., en Suisse <sup>1</sup>, le chargeur ne peut être utilisé que dans l'installation murale de base ou dans la borne de recharge.
- ▶ N'immergez pas le chargeur dans l'eau.
- ▶ Protégez le chargeur de la neige et du givre.
- ▶ Manipulez le chargeur avec soin et protégez-le de tout dommage potentiel (écrasement, chute, traction, pliage et coincement).
- ▶ N'ouvrez pas le boîtier du chargeur.

#### AVIS

Domage du chargeur

Le chargeur peut fonctionner uniquement dans une plage de température située entre  $-30\text{ °C}$  et  $+50\text{ °C}$  ( $-22\text{ °F}$  et  $+122\text{ °F}$ ).

- ▶ Afin d'éviter une surchauffe pendant le fonctionnement, n'exposez pas le chargeur de façon continue aux rayons directs du soleil. En cas de surchauffe du chargeur, la recharge est automatiquement interrompue jusqu'à ce que la température diminue et revienne dans la plage normale.
- ▶ Si le chargeur est trop chaud ou trop froid, laissez-le revenir lentement à la plage de température de fonctionnement; ne tentez pas de le refroidir ou de le réchauffer, par exemple en le refroidissant avec de l'eau froide ou en le réchauffant avec un sèche-cheveux.

### Recharge

#### Remarques sur la recharge

##### Borne de recharge du véhicule

Pour obtenir des renseignements sur le branchement et le débranchement du câble du véhicule sur la borne de recharge du véhicule et concernant l'état de recharge et de connexion au niveau de la borne de recharge du véhicule:

- ▶ reportez-vous au Manuel du propriétaire.



Électrocution, incendie

Risque de blessure grave ou mortelle par incendie ou électrocution.

- ▶ Suivez toujours la séquence spécifiée pour le processus de recharge.
- ▶ Ne débranchez pas le câble du véhicule dans la borne de recharge du véhicule durant le processus de recharge.
- ▶ Terminez le processus de recharge avant de débrancher le câble du véhicule de la borne de recharge du véhicule.
- ▶ Ne débranchez pas le chargeur de la prise électrique durant le processus de recharge.

Les erreurs apparaissent sur l'affichage et sont indiquées par des DEL rouges. Le message d'erreur, la cause et une mesure de correction seront affichés.

- ▶ Consultez le chapitre «Dysfonctionnements» à la page 79.

1. À la date d'impression : Pour obtenir de plus amples renseignements, adressez-vous à votre concessionnaire Porsche agréé.



## Temps de recharge

La durée de recharge peut varier en fonction des facteurs suivants:

- la prise électrique utilisée (prise résidentielle ou prise industrielle);
- la tension secteur et courant électrique du réseau propres au pays;
- les réglages de la limite de courant de recharge sur le chargeur;
- les fluctuations de la tension sur le réseau électrique;
- la température ambiante du véhicule et du chargeur. Les temps de recharge peuvent être plus longs à des températures supérieures et inférieures extrêmes de la température ambiante autorisée;
  - ▷ Consultez le chapitre «Activation et désactivation du moniteur de mise à la terre» à la page 68.
- la température de la batterie haute tension et du module de commande;
- l'activation de la préclimatisation ou du chauffage dans l'habitacle;
- la capacité de transmission de courant admissible de la prise électrique et de la prise de courant du véhicule.

### **i** Information

Plusieurs versions de câbles sont proposées en raison des différences de réseau électrique d'un pays à un autre. C'est pourquoi il n'est pas toujours possible de tirer parti de la pleine puissance de recharge. Pour obtenir de plus amples renseignements, adressez-vous à votre concessionnaire Porsche agréé.

## Démarrage, pause et arrêt de la recharge

### Démarrage du processus de charge

1. Branchez la fiche dans la prise électrique.
  - ☉ Le voyant blanc du bouton d'alimentation s'allume.
  - DEL d'état s'allumant en blanc.
    - ➔ L'écran s'allume.
2. Branchez la prise de courant du véhicule dans la borne de recharge du véhicule.
  - ☉ Le voyant blanc du bouton d'alimentation s'allume.
  - Les DEL d'état blanches clignotent.

Pour obtenir des renseignements sur le branchement du câble du véhicule dans la borne de recharge du véhicule:

  - ▷ reportez-vous au Manuel du propriétaire.
  - ➔ Après un autotest réussi et lorsque la connexion est établie, les DEL d'état blanches s'allument.
3. Le processus de recharge démarre automatique.
  - ☉ Le voyant blanc du bouton d'alimentation s'allume.
  - Les DEL d'état vertes clignotent.
4. Après quelques minutes, l'affichage passe en mode veille.
  - ➔ Le véhicule est en cours de recharge.

### **i** Information

- La recharge est gérée par le véhicule. Le processus de recharge ne peut être arrêté qu'à partir du véhicule.
- L'état de recharge est indiqué sur l'affichage, à condition que le chargeur ne soit pas en mode veille. L'affichage peut être de nouveau allumé en appuyant sur le bouton d'alimentation ☉.
- Un dispositif d'arrêt à haute température empêche la surchauffe pendant la recharge.

### Mise en pause de la recharge

La recharge est contrôlé par le véhicule et peut être mise en pause, p. ex., afin d'optimiser la consommation énergétique.

Lorsque la recharge est mise en pause, cet état sera indiqué sur le module de commande:

- ☉ Le voyant blanc du bouton d'alimentation s'allume.
  - Les LED d'état bleues clignotent.
- L'écran s'allume.

La recharge du véhicule recommence automatiquement. Le processus de recharge peut être arrêté à partir du véhicule.

### Arrêt de la recharge

- ✓ La recharge a bien été effectuée.
  - ☉ Le voyant blanc du bouton d'alimentation s'allume.
  - Les DEL d'état vertes s'allument.

L'affichage s'allume et affiche des informations sur le processus de recharge terminé. Après quelques minutes, le chargeur passe en mode veille.

- ▶ Débranchez la prise de courant du véhicule de la borne de recharge du véhicule.

### Limitation du courant de recharge

Le module de commande détecte automatiquement la tension et l'intensité du courant disponible. La puissance à utiliser pour la recharge peut être réglée à l'aide de la limitation du courant de recharge. À la livraison, le courant de recharge est automatiquement limité à 50 % afin d'éviter une surchauffe de l'installation électrique.

Si le chargeur est connecté à un gestionnaire d'énergie, celui-ci limite le courant de recharge conformément aux valeurs fixées dans le gestionnaire d'énergie. Le courant de recharge maximum disponible peut également être diminué par d'autres appareils du réseau résidentiel, p. ex., un chauffage électrique ou un chauffe-eau. La puissance de recharge ne doit jamais afficher une valeur supérieure à la puissance maximale disponible sur le circuit électrique utilisé. En cas de doutes à ce sujet, communiquer avec un électricien qualifié.

Lorsque l'appareil est branché sur une prise de courant industrielle, la puissance de recharge est automatiquement réglée à 50 % après le débranchement de la fiche secteur ou après une panne de courant

### Brancher et charger

Avec la fonction Plug & Charge, le véhicule peut être rechargé à l'aide d'une infrastructure de recharge appropriée dans des zones privées et publiques, sans qu'il soit nécessaire de réinitialiser manuellement le processus de recharge sur la station de recharge ou le chargeur. Le processus de recharge est facturé automatiquement sur la base du contrat avec le fournisseur de recharge.

- ✓ Fonctions de recharge intelligentes activées sur le véhicule.
- ✓ Infrastructure de recharge adaptée à la fonction Plug & Charge.
- ✓ Le contrat avec le fournisseur de recharge comprend la fonction Plug & Charge.

### Private Plug & Charge

Si la protection de l'appareil est activée pour le Mobile Charger Connect, la recharge ne peut être lancée qu'en entrant le code PIN ▶ Consultez le chapitre «Protection de l'appareil» à la page 64. Cela permet de protéger les données contre l'accès par des tiers.

### Liste des véhicules (enregistrer le véhicule)

Après avoir saisi le code PIN, vous devez indiquer si vous voulez ajouter le véhicule à la liste de véhicules du Mobile Charger Connect. Avec l'autorisation, un appairage unique du véhicule avec le Mobile Charger Connect permet de reconnaître immédiatement le véhicule après avoir branché le câble de recharge et d'autoriser le processus de recharge. Il n'est donc plus nécessaire d'entrer un code PIN pour tout autre processus de recharge avec ce véhicule.

### Accès à la liste des véhicules

Plusieurs véhicules peuvent être enregistrés dans le Mobile Charger Connect. Chaque véhicule est indiqué séparément dans la liste des véhicules.

- ▶ Sélectionner **Réglages**  ▶ **une liste de véhicules**.

Cette liste permet de supprimer des véhicules.

## Activation et désactivation du moniteur de mise à la terre


 **DANGER**

Électrocution, court-circuit, incendie, explosion

L'utilisation du chargeur sans moniteur de mise à la terre actif peut provoquer des décharges électriques, des courts-circuits, des incendies, des explosions ou des brûlures.

- ▶ De préférence, le chargeur doit être utilisé sur un réseau électrique mis à la terre.
- ▶ Désactivez le moniteur de mise à la terre seulement sur un réseau électrique non mis à la terre.
- ▶ Activez le moniteur de mise à la terre sur un réseau électrique mis à la terre.
  - ▶ Consultez le chapitre «Activation du moniteur de mise à la terre» à la page 69.

### Désactivation du moniteur de mise à la terre

- ✓ Le message d'erreur concernant le fil de terre manquant ou interrompu s'affiche à l'écran.
  - ✓ Le moniteur de mise à la terre a interrompu le processus de recharge ou l'empêche de commencer.
    - ⊙ Le bouton de marche s'allume en rouge.
    - DEL d'état rouges qui s'allument.Un message d'erreur s'affiche à l'écran.
1. Pour désactiver le moniteur de mise à la terre, accusez réception du message d'erreur en appuyant sur **Confirmer**.
  2. Maintenez le bouton de marche  enfoncé pendant 3 secondes.

3. Accusez réception de la désactivation du moniteur de mise à la terre en appuyant sur **Confirmer**.
  - ➔ Le moniteur de mise à la terre reste aussi désactivé pendant les sessions de recharge ultérieures.

### Activation du moniteur de mise à la terre

Si vous utilisez le chargeur sur un réseau électrique mis à la terre, activez le moniteur de mise à la terre.

1. Ouvrez le menu **Moniteur de mise à la terre (Réglages ⚙️ ▶ Moniteur de mise à la terre)**.
2. Activez le moniteur de mise à la terre en appuyant sur **Activer**.

Lorsque le Moniteur de mise à la terre est activé, l'élément de menu **Moniteur de mise à la terre** n'apparaît pas dans le menu **Réglages ⚙️**.

### Ouverture de session dans l'application Web

Pour utiliser l'application Web normalement, sélectionnez le profil Utilisateur domicile. Le profil Service clients propose davantage d'options de réglages et il est conçu pour être utilisé par votre concessionnaire Porsche agréé.

- ✓ Données d'accès en main.
1. Dans le champ **Utilisateur**, sélectionnez l'utilisateur correspondant.
  2. Entrez le mot de passe (dans la lettre contenant les données d'accès).

#### Information

Après 25 minutes d'inactivité, l'utilisateur est automatiquement déconnecté de l'application Web.

### Ouverture de l'application Web

D'autres options de configuration et des informations détaillées sur les processus de recharge précédents peuvent être affichées à l'aide d'une application Web, qui est propre à chaque chargeur.

#### Information

- En fonction du navigateur utilisé, l'application Web ne s'ouvre pas immédiatement. Au lieu de cela, les renseignements relatifs aux réglages de sécurité du navigateur s'affichent dans un premier temps.
- L'entrée du code réseau pour l'affichage de l'application Web dépend du système d'exploitation de l'appareil.

### Ouverture de l'application Web par le point d'accès sans fil

L'application Web peut être invoquée à l'aide d'un appareil final (PC, tablette ou téléphone intelligent) par un point d'accès configuré par le chargeur.

Pour configurer un point d'accès:

- ▶ Consultez le chapitre «Point d'accès» à la page 64.
- ▶ Pour ouvrir l'application Web lorsqu'un point d'accès sans fil est actif, entrez l'adresse IP suivante dans la ligne d'adresse du navigateur: 192.168.0.1

### Ouverture de l'application Web par Wi-Fi

L'application Web peut être invoquée dans le navigateur sur un dispositif (ordinateur, tablette ou téléphone intelligent) qui est connecté au même réseau résidentiel que le chargeur.

- Saisissez l'adresse IP actuelle du chargeur dans la ligne d'adresse du navigateur. Vous trouverez l'adresse IP actuelle sous **Réglages ⚙️ ▶ Réseau ▶ Information réseau**.  
- ou -  
Saisissez le nom de l'hôte du chargeur dans la ligne d'adresse du navigateur. Vous trouverez le nom de l'hôte dans la lettre contenant les données d'accès.

▶ Pour obtenir de plus amples renseignements sur l'application Web, reportez-vous aux directives à l'adresse <https://www.porsche.com/international/aboutporsche/e-performance/help-and-contact/>

### Utilisation de l'application Web

#### Ouverture de l'application Web

##### Établissement d'une connexion au chargeur

Si le chargeur a été intégré à votre réseau résidentiel existant (Wi-Fi ou Powerline Communication) durant la configuration, vous pouvez accéder à l'application Web au moyen de l'adresse IP attribuée.

Pour en savoir plus sur l'établissement de connexions réseaux ▶ Consultez le chapitre «Connexions» à la page 71..

##### Ouverture de l'application Web par Wi-Fi

✓ L'appareil et le chargeur se trouvent sur le même réseau Wi-Fi.

1. Ouvrez le navigateur.
2. Dans la barre d'adresse du navigateur : entrez l'adresse IP attribuée durant la configuration (sous **Réglages** ⚙ ▶ **Réseaux** ▶ **Information réseau** sur le chargeur) ou le nom de l'hôte du chargeur (fourni dans la lettre contenant les données d'accès).

##### Ouverture de l'application Web par communication Powerline

✓ L'appareil et le chargeur se trouvent sur le même réseau au moyen d'une connexion CPL.

1. Ouvrez le navigateur.
2. Dans la barre d'adresse du navigateur : entrez l'adresse IP attribuée durant la configuration (sous **Réglages** ⚙ ▶ **Réseaux** ▶ **Information réseau** sur le chargeur).

##### Ouverture de l'application Web par le point d'accès sans fil

Vous pouvez également établir une connexion au moyen du point d'accès sans fil. Le chargeur fournit un point d'accès sans fil protégé par un mot de passe. Une connexion manuelle est requise. Un appareil compatible Wi-Fi peut se connecter au point d'accès sans fil et accéder à l'application Web du chargeur. L'intégration au réseau domestique peut être effectuée en tout temps depuis l'application Web.

- ✓ Le chargeur est activé. Le chargeur active son point d'accès Wi-Fi automatiquement.
1. Appuyez sur l'icône de réseau ou de Wi-Fi dans la barre d'information de votre appareil.
  2. Sélectionnez un réseau Wi-Fi dans la liste. Le nom du réseau Wi-Fi correspond au SSID de la lettre contenant les données d'accès et il s'affiche comme **ICCPD-#####**.
  3. Appuyez sur le bouton Connecter.
  4. Entrez le code réseau dans le champ **Clé de sécurité** (indiqué dans la lettre contenant les données d'accès comme **Wi-Fi PSK**).
    - ➔ La connexion au réseau Wi-Fi est établie.

Remarque: Pour les systèmes d'exploitation Windows 10, vous devez premièrement entrer le NIP du routeur. Sélectionnez le lien Connecter en utilisant un code de sécurité réseau, puis entrez le code.
  5. Ouvrez le navigateur.
  6. Entrez l'adresse IP suivante dans la barre d'adresse du navigateur. **192.168.0.1**.

#### **i** Information

Lorsque l'appareil fait partie d'un réseau domestique, il n'a plus accès à l'application Web au moyen de l'adresse IP du point d'accès sans fil (192.168.0.1). Vous devez alors utiliser l'adresse IP générée automatiquement ou le nom de l'hôte du chargeur.

- Entrées d'adresse IP existantes:
  - Web Application: **Service** ▶ **Information sur le dispositif**
  - Chargeur: **Réglages** ⚙ ▶ **Réseaux** ▶ **Information réseau**
- Entrées de noms d'hôte existants:
  - Lettre contenant les données d'accès
  - Web Application: **Service** ▶ **Information sur le dispositif**

#### Transfert vers l'application Web

#### **i** Information

En fonction du navigateur utilisé, l'application Web ne s'ouvre pas immédiatement. Au lieu de cela, les renseignements relatifs aux réglages de sécurité du navigateur s'affichent dans un premier temps.

1. Sélectionnez l'option **Avancé** du message d'avertissement affiché dans le navigateur.
2. Dans la boîte de dialogue suivante, sélectionnez **Ajouter une exception**.
  - ➔ Le certificat SSL est confirmé et l'application Web s'ouvre.

## Historique de recharge


Les sessions de recharge du chargeur sont indiquées chronologiquement ici. L'information suivante est disponible pour chaque session de recharge:

- Heure
- Délai de recharge
- Consommation
- Coûts (en présence d'un gestionnaire d'alimentation)
- Compte utilisé (si un compte est sélectionné durant la session de recharge active)

L'application Web permet l'exportation de l'historique de recharge en tant que fichier Excel.

1. Sélectionnez **Exporter l'historique de recharge**.
2. Naviguez jusqu'à l'emplacement de mémoire voulu, puis enregistrez le fichier.

### Information

Pour chaque session de recharge active, les comptes **Travail** ou **Privé** peuvent être sélectionnés aux fins d'évaluation. Vous pouvez choisir le compte dans l'information de la **session de recharge** courante (icône  dans la barre de menu) du chargeur. La sélection est également adoptée pour la prochaine session de recharge et elle doit être réattribuée au besoin.


## Connexions

Pour accéder à l'application Web du chargeur ainsi qu'à ses renseignements et réglages, l'appareil et le chargeur doivent être connectés au réseau domestique (par une connexion Wi-Fi ou CPL). La connexion Internet du réseau domestique permet d'utiliser toutes les fonctions de l'application Web.

Si il n'y a pas de réseau domestique disponible sur le lieu d'utilisation, vous pouvez utiliser votre appareil (ordinateur, tablette ou téléphone intelligent) pour vous connecter directement au chargeur par l'intermédiaire de son point d'accès Wi-Fi. Toutefois, ce type de connexion n'offre aucune connexion Internet. Donc, seules les fonctions installées localement sont disponibles.

### Information

Lorsque l'appareil fait partie d'un réseau domestique, il n'a plus accès à l'application Web au moyen de l'adresse IP du point d'accès sans fil (192.168.0.1). Vous devez alors utiliser l'adresse IP générée automatiquement ou le nom de l'hôte du chargeur.

- Entrées d'adresse IP existantes:
  - Web Application: **Service** ▶ **Information sur le dispositif**
  - Chargeur: **Réglages**  ▶ **Réseaux** ▶ **Information réseau**
- Entrées de noms d'hôte existantes:
  - Lettre contenant les données d'accès
  - Web Application: **Service** ▶ **Information sur le dispositif**

### Information

Vous devrez vous reconnecter si durant le processus de configuration le système passe du mode de point d'accès sans fil à une connexion de réseau Wi-Fi avant de revenir au mode de point d'accès sans fil.

Le passage au réseau domestique est possible sans redémarrage avec Powerline Communication lorsqu'il existe une connexion avec un point d'accès sans fil.

### Information

Dans l'application Web, la connexion au point d'accès sans fil ne doit être désactivée que si la connexion à un réseau domestique est possible.

- ▶ Sélectionnez la connexion réseau souhaitée (point d'accès sans fil, Wi-Fi, communication Powerline).

## Point d'accès

Votre appareil peut se connecter directement au chargeur au moyen de son point d'accès Wi-Fi intégré.

1. Sélectionnez la fonction **Configurer un point d'accès sans fil**.
2. Dans les réglages, entrez le nom du réseau et le code de sécurité du point d'accès sans fil.
  - ▶ Pour en savoir plus sur l'établissement d'une connexion à un point d'accès sans fil, ▶ Consultez le chapitre «Ouverture de l'application Web» à la page 70.

## Point accès sans fil

### Information

Si le chargeur est déjà connecté à l'appareil au moyen d'un point d'accès sans fil, il n'est pas possible d'établir simultanément une connexion au réseau Wi-Fi. Vous devez premièrement désactiver le point d'accès sans fil.

1. Activez le Wi-Fi.
2. Sélectionnez l'option **Connexion au réseau**.

- Sélectionnez le réseau correspondant dans la liste, puis entrez le **Clé de sécurité. Réseau différent** : Sélectionnez cette option lorsque le réseau doit être masqué.
- Indiquez que l'adresse IP doit être attribuée automatiquement (recommandé).
  - ➔ L'adresse IP s'affiche dès l'établissement de la connexion réseau.

Dans la liste, l'état du réseau apparaît comme **Connecté**.

### Gestion des réseaux Wi-Fi

Option	Explication
<b>Réseau différent</b>	▶ Sélectionnez cette option lorsqu'il s'agit d'un réseau masqué.
<b>Gérer les réseaux connus</b>	▶ Sélectionnez l'option <b>Supprimer</b> pour supprimer les réseaux enregistrés. Le chargeur sélectionne alors toujours le réseau pertinent.

### Déconnexion de la connexion réseau

- Sélectionnez le réseau avec lequel une connexion est établie.
- Sélectionnez l'option **Déconnecter** pour déconnecter la connexion au réseau Wi-Fi.

### Configuration de la connexion réseau

- Sélectionnez le réseau avec lequel une connexion est établie.
- Sélectionnez l'option **Configurer** pour modifier les réglages de l'adresse IPv4 et du serveur DNS.

#### Information

Une bande de fréquence de 2,4 GHz est utilisée pour la connexion réseau. En cas de problèmes de connexion, désactivez la bande de fréquence 5 GHz sur le routeur du réseau.

### Communication Powerline

Outre le Wi-Fi, vous pouvez également connecter votre chargeur au réseau domestique par l'intermédiaire d'une connexion CPL. Le réseau électrique existant est utilisé pour établir un réseau local en vue du transfert de données. Le chargeur est enregistré en tant que client dans le réseau CPL.

Pour établir une connexion, utilisez le bouton de jumelage pour connecter le modem CPL au chargeur. Dans ce cas, le chargeur est automatiquement jumelé au modem CPL. Vous pouvez également établir une connexion en entrant le code de sécurité du chargeur sur le modem CPL.

- Activez **Communication Powerline (CPL)**.
- Ajout du chargeur au réseau CPL:
  - **Option 1:** Avec le bouton de jumelage:
    - Sélectionnez l'option **Se connecter avec la méthode CPL Push** dans l'application Web. Sélectionnez **b. Démarrer l'appariement**.
    - Appuyez sur le bouton de jumelage du modem CPL dans les deux minutes pour amorcer l'établissement d'une connexion.

**d.** Sélectionnez le bouton **Connecter** pour confirmer le jumelage.

- **Option 2:** En entrant le code de sécurité CPL:
  - Sélectionnez l'option **Établir la connexion au moyen d'une clé de sécurité CPL**. Le code de sécurité s'affiche.
  - Entrez le code de sécurité dans les réglages de votre modem CPL.
- ➔ Le chargeur est intégré au réseau CPL et une connexion est établie.

### Connexion CPL au véhicule

Cette fonction est seulement visible et configurable pour l'utilisateur **Service à la clientèle**. Avec la désactivation de la connexion CPL, aucune autre donnée n'est transférée par câble au véhicule.

Cet état est nécessaire dans le cadre de certaines mesures.

Avec le transfert de données, la recharge fondée sur le protocole de recharge est activée par défaut (communication de haut niveau).

Sans le transfert de données, le processus de recharge est fondé sur les valeurs électriques essentielles (modulation d'impulsions en durée).

## Ajout d'un gestionnaire d'alimentation

Pour s'assurer que le gestionnaire d'alimentation prend le contrôle de la recharge, le chargeur (dispositif EEBus) et le gestionnaire d'alimentation doivent premièrement être connectés ensemble. La connexion doit être établie dans l'application Web du gestionnaire d'alimentation et dans celle du chargeur (ou directement au chargeur, le cas échéant).

### Établissement d'une connexion au chargeur depuis le gestionnaire d'alimentation

▷ La connexion au chargeur est décrite dans la section «Ajout d'un dispositif EEBus» dans le mode d'emploi de l'application Web du Porsche Home Energy Manager.

### Établissement d'une connexion au gestionnaire d'alimentation depuis le chargeur

- ✓ Le chargeur et le gestionnaire d'alimentation se trouvent sur le même réseau.
- 1. Naviguez jusqu'au **Connexions** ▶ **Gestionnaire d'alimentation** dans l'application Web du chargeur.
  - ➔ Le gestionnaire d'alimentation est affiché dans la liste **Gestionnaires d'alimentation accessibles**.
- 2. Sélectionnez le gestionnaire d'alimentation et agrandissez la sélection.
- 3. Sélectionnez **Jumeler des appareils**.
  - ➔ La connexion est vérifiée.

4. Dans la boîte de dialogue **Établir connexion**, vérifiez de nouveau l'identité du gestionnaire d'alimentation à l'aide du numéro d'identification (SKI), puis sélectionnez l'option **Connecter**.
  - ➔ Le gestionnaire d'alimentation correctement connecté est affiché avec l'état **Gestionnaire d'alimentation connecté**.

Les réglages du gestionnaire d'alimentation, p. ex., le courant de recharge, la protection contre les surcharges et la recharge optimisée, ainsi que les réglages des tarifs) sont appliqués au chargeur.

### Déconnexion de la connexion au gestionnaire d'alimentation:

1. Naviguez jusqu'au **Connexions** ▶ **Gestionnaire d'alimentation** dans l'application Web du chargeur.
  - ➔ Le gestionnaire d'alimentation connecté est affiché avec l'état **Gestionnaire d'alimentation connecté**.
2. Sélectionnez **Déconnecter**.
  - ➔ La connexion entre le gestionnaire d'alimentation et le chargeur est déconnectée.

### Association des comptes d'utilisateur

#### Information

Pour transférer les données à votre compte ID Porsche, le dispositif doit être connecté à Internet.

Les renseignements sur les sessions de recharge peuvent également être consultés depuis votre compte ID Porsche. Toutefois, pour ce faire, le chargeur doit être associé à un ID Porsche.

1. Appuyez sur le bouton **Lier un compte utilisateur**.
  - ➔ La boîte de dialogue **Lier un compte utilisateur** est ouverte.
2. En fonction de la disponibilité d'une connexion Internet, sélectionnez l'option suivante (voir « Options de connexion Internet »).
3. Sur le site Web du compte ID Porsche, entrez les données de connexion (ID Porsche, mot de passe).

### Options de connexion Internet

Option	Explication
<b>Vers My Porsche</b>	<ul style="list-style-type: none"> <li>✓ Application Web avec connexion Internet.</li> <li>▶ Vous êtes dirigé directement vers votre compte ID Porsche.</li> </ul>
<b>Plus d'options</b>	<ul style="list-style-type: none"> <li>✓ Application Web sans connexion Internet.</li> <li>▶ Utilisez un appareil mobile disposant d'une connexion Internet pour balayer le code QR affiché ou entrer manuellement l'URL affichée dans le navigateur.</li> </ul>

## Réglages

### Système

#### Mode de démonstration

Ce réglage est seulement visible pour l'utilisateur Service à la clientèle. En mode de démonstration, il est facile d'afficher les fonctions du chargeur et de simuler une session de recharge. Les réglages apportés en mode de démonstration ne sont pas appliqués.

- ✓ L'utilisateur **Service à la clientèle** est connecté.
- ▶ Activez la fonction.

La nouvelle connexion à l'application Web désactive le mode de démonstration.

#### Changer le mot de passe

Modifie le mot de passe de connexion à l'application Web. Le mot de passe initial inscrit dans la lettre des données d'accès est écrasé par le nouveau mot de passe sélectionné.

- ▶ Sélectionnez l'option **Modifier** et entrez le nouveau mot de passe.

#### Définir NIP

Le NIP protège votre chargeur et empêche toute connexion non autorisée d'un autre véhicule.

1. Activez la fonction.
2. Entrez un NIP à 4 chiffres et confirmez.
3. Entrez le NIP de nouveau et confirmez-le.
  - ➔ L'activation de l'invite du NIP est confirmée.
 Entrez ce NIP pour déverrouiller le chargeur.

#### Activation d'un NIP d'invité

De plus, vous pouvez créer un NIP d'invité pour un autre utilisateur.

- ▶ Cette procédure est identique à celle de l'attribution d'un NIP assurant la protection du dispositif.

#### Information

L'utilisateur invité ne peut pas configurer le chargeur.

#### Régulation de la consommation d'énergie

Activez le mode veille prolongée pour économiser de l'électricité. Le mode veille prolongée commence dès la fin du processus de recharge.

- ▶ Activez la fonction **Mode veille**.

Le dispositif a besoin d'un certain temps pour quitter le mode veille prolongée et être prêt à utiliser.

#### Information

Après une période d'inactivité prolongée, le chargeur passe automatiquement en mode veille. Premièrement, la luminosité de l'affichage du dispositif est réduite; ensuite, l'affichage du dispositif est désactivé. Appuyez sur le bouton d'alimentation pour redémarrer.

#### Définir la langue et le pays

Champ	Explication
Langue	Sélection de la langue de l'application Web.
Pays	Le pays d'utilisation. Les réglages de configuration sont propres au pays. Si la spécification ne correspond pas au lieu d'utilisation réel, certains réglages pourraient ne pas être disponibles.

#### Définir la date et l'heure

Champ	Explication
Date et heure	Avec une connexion réseau, la date et l'heure sont automatiquement réglées. <b>Fuseau horaire:</b> Peut être sélectionné manuellement. <b>Régler l'heure:</b> Définissez une heure si l'heure réseau n'est pas disponible en référence.



## Unités

Sélectionnez les paramètres et les unités à utiliser par le dispositif.

### Affichage du dispositif

Ce réglage détermine la luminosité d'affichage du chargeur.

## Recharge

### État de la grille

Ce réglage est seulement visible pour l'utilisateur **Service à la clientèle**. L'information sur l'état de la grille présentée ici est automatiquement détectée par le dispositif.

Écran	Explication
<b>Phases de la grille</b>	Nombre de phases du câble d'alimentation.
<b>Type de câble</b>	Type de câble de recharge du véhicule. Le type de câble procure d'importants renseignements sur le réglage du courant de recharge maximal.
<b>Service limité</b>	Le chiffre indique le capteur touché par une réduction de puissance en raison d'une surchauffe: <ul style="list-style-type: none"> <li>- 0: Température élevée du micro-contrôleur</li> <li>- 1: Température élevée du relais</li> </ul>

Écran	Explication
	- 2: Température interne trop élevée
	- 3: Température élevée du capteur 1 du câble d'infrastructure
	- 4: Température élevée du capteur 2 du câble d'infrastructure

### Moniteur de mise à la terre

 **DANGER** Électrocution, court-circuit, incendie, explosion

L'utilisation du chargeur sans moniteur de mise à la terre actif peut provoquer des décharges électriques, des courts-circuits, des incendies, des explosions ou des brûlures.

- ▶ De préférence, le chargeur doit être utilisé sur un réseau électrique mis à la terre.
- ▶ Désactivez le moniteur de mise à la terre seulement sur un réseau électrique non mis à la terre.
- ▶ Activez le moniteur de mise à la terre sur un réseau électrique mis à la terre.

Pour activer et désactiver le moniteur de mise à la terre> Consultez le chapitre «Activation et désactivation du moniteur de mise à la terre» à la page 68.

### Régler le courant de recharge

Si le courant de recharge vers le véhicule est trop élevé, le fusible peut griller, entraînant la défaillance du bloc d'alimentation à proximité du fusible.

Si un gestionnaire d'alimentation est connecté au chargeur, la protection contre les surcharges surveille le courant de recharge transmis au chargeur. En l'absence d'un gestionnaire d'alimentation sur le réseau résidentiel, vous devez définir le courant maximal du chargeur.

Le courant de recharge défini ici ne peut pas dépasser la valeur maximale du courant de recharge que peut accepter l'installation électrique.

Les points suivants doivent être observés lors de la définition du courant de recharge maximal:

- Type de câble branché au chargeur
- Autres charges connectées à ce fil ou fusible

Informations sur les câbles d'alimentation et leur utilisation spécifique à chaque pays Consultez le chapitre «Choix du câble d'alimentation» à la page 57..

### Information

La puissance de recharge ne doit jamais être réglée à une valeur supérieure à la puissance maximale disponible sur le circuit électrique.

Si vous avez des doutes à ce sujet, communiquez avec un électricien qualifié.

### Information

Dans le cas d'une connexion au gestionnaire d'alimentation, la valeur définie ici est écrasée par les réglages du gestionnaire d'alimentation.

- ✓ Le câble du véhicule est branché au chargeur.
- ▶ Dans l'application Web, utilisez le contrôleur pour définir des valeurs de courant de recharge minimale et maximale.

### Service

#### Affichage de l'information sur le dispositif

Cette information porte sur le dispositif, p. ex., numéro de version, numéro de série et nom de l'hôte.

En cas de message d'erreur, le partenaire d'entretien Porsche aura besoin de ces données.

#### Affichage de l'information sur la durée d'exécution totale

Écran	Explication
Consommation d'énergie totale	Affiche la consommation d'énergie totale de ce chargeur pour toutes les précédentes durées de charge.
Durée totale de la charge	Affiche la durée totale de la charge de ce chargeur pour toutes les précédentes durées de charge.

#### Affichage du registre d'événements

Ce réglage est seulement visible pour l'utilisateur **Service à la clientèle**. L'information sur le registre d'événements affichée se rapporte aux messages d'erreur produits durant le test du système. Les registres d'événements actifs et passifs sont affichés. Contrairement aux événements passifs, les anomalies et les événements actifs ont toujours cours.

- ▶ Sélectionnez le protocole correspondant pour afficher les messages d'erreur et les résultats du test de système.

### Installation des mises à jour logicielles

Par défaut, le chargeur vérifie si des mises à jour logicielles sont disponibles et les télécharge. Ce réglage définit si les mises à jour logicielles doivent être installées automatiquement ou manuellement. **Version du logiciel:** Affiche la version du logiciel nouvellement installé.

#### Information

Pour rechercher et télécharger des mises à jour logicielles, le dispositif doit être connecté à Internet.

#### Exécution automatique

Lorsque cette fonction est activée, le chargeur installe automatiquement les mises à jour logicielles.

- ▶ Sélectionnez la fonction **Mises à jour automatiques de logiciel**.

#### Exécution manuelle

Lorsqu'une nouvelle version de logiciel est disponible, un message s'affiche dans la section d'état de l'appareil de l'aperçu.

- ✓ La fonction **Mises à jour automatiques de logiciel** est désactivée.
- ▶ Sélectionnez le bouton **Effectuer la mise à jour de logiciel** pour lancer l'installation.

#### Mémorisation des réglages

Vos réglages de configuration et les données déjà recueillies peuvent être enregistrés au moyen d'une sauvegarde. Au besoin (p. ex., après une réinitialisation aux réglages par défaut), vous pouvez restaurer ces réglages depuis la sauvegarde. Vous créez les sauvegardes manuellement depuis l'application Web. Aucun mot de passe ni aucune information personnelle, comme l'historique de recharge, ne sont enregistrés dans la sauvegarde.

### Création d'une sauvegarde

Les données d'une sauvegarde manuelle sont enregistrées sur votre appareil.

- ✓ L'appareil et le chargeur se trouvent sur le même réseau.

1. Sélectionnez **Exporter**.
2. Naviguez jusqu'à l'emplacement de mémoire.
3. Enregistrez le fichier de sauvegarde.

**Attribuer un mot de passe:** Entrez le mot de passe.

Le mot de passe protège vos données et doit être entré lorsque vous importez ou restaurez la sauvegarde.

#### Restaurer la sauvegarde

Vous pouvez importer un fichier de sauvegarde enregistré depuis votre appareil jusqu'au chargeur.

- ✓ L'appareil et le chargeur se trouvent sur le même réseau.

1. Appuyez sur le bouton **Importer**.
2. Naviguez jusqu'au fichier de sauvegarde, puis sélectionnez-le.
3. Entrez le mot de passe utilisé lors de son enregistrement.

### Retour aux réglages en usine

En activant cette fonction, toutes les configurations et données personnelles, comme l'historique de recharge et les paramètres réseau, sont supprimées. De plus, tous les mots de passe seront définis sur les mots de passe initiaux qui figurent dans la lettre contenant les données d'accès.

- ▶ Activez la fonction **Rétablir les réglages d'usine**.

Pour créer la sauvegarde Consultez le chapitre «Service» à la page 76.

### **i** Information

Si les réglages sont réinitialisés aux valeurs par défaut, l'assistant de configuration vous aidera à régler les réglages les plus importants au prochain démarrage du dispositif.

## Station de recharge

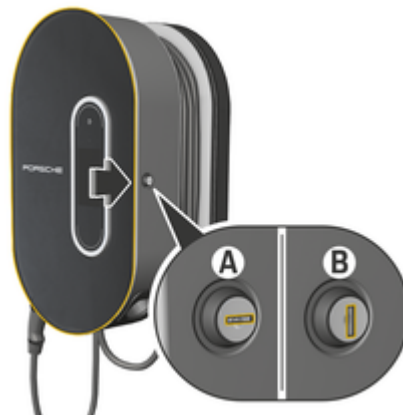


Fig. 32: Station de recharge

### Ouverture de la station de recharge

- ▶ Appuyez sur la porte de la borne de recharge dans le **sens de la flèche**. La porte s'ouvre automatiquement.

### Fermeture de la station de recharge

- ▶ Fermez la porte de la station de recharge et appuyez dans la **direction de la flèche**.

### Verrouillage de la station de recharge

- ▶ Tournez le verrou à la position **A** (Fig. 32).

### Déverrouillage de la station de recharge

- ▶ Enfoncez le verrou en position **B** (Fig. 32).

## Insertion du module de commande dans la borne de recharge et retrait de la borne de recharge

### AVIS

Domage du chargeur

- ▶ Gardez toujours la porte fermée.
- ▶ Ne placez aucun objet sur la porte ou sur la station de recharge.

## Insertion du module de commande dans la borne de recharge

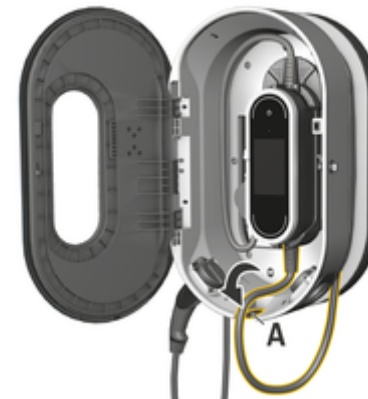


Fig. 33: Insertion du module de commande

1. Ouvrez la porte de la station de recharge.
2. Placez le bas du module de commande dans les ergots de verrouillage de la station de recharge et poussez-le vers l'arrière.

## Fonctionnement

3. Acheminez le câble du véhicule jusqu'à l'ouverture **A** (Fig. 33) et enroulez tout excès de câble autour de la borne de recharge.
4. Branchez le câble d'alimentation dans la prise électrique.
5. Fermez la porte de la station de recharge.

### Retrait du module de commande de la station de recharge

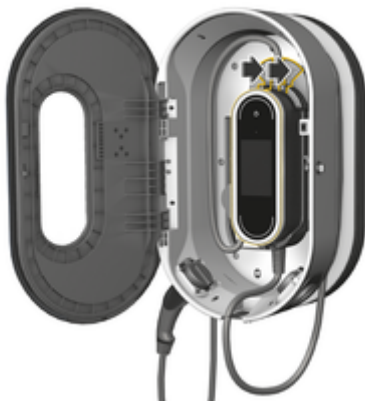
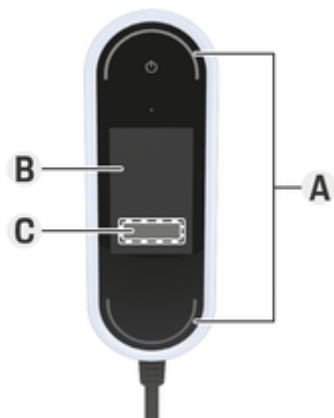


Fig. 34: Insertion du module de commande

1. Ouvrez la porte de la station de recharge.
2. Débranchez le câble d'alimentation de la prise électrique.
3. Déroulez entièrement le câble du véhicule de la station de recharge.
4. Détachez le module de commande du support en appuyant sur le commutateur de déverrouillage (flèche) et retirez-le.

## Dysfonctionnements



- A** DEL d'état rouges qui s'allument
- B** Message d'erreur et cause
- C** Solution/Correctif

En cas de défaillances ou d'anomalies, le chargeur affiche un message correspondant sur l'afficheur. Les DEL d'état rouge et le bouton d'alimentation s'allument. Le message présente le message d'erreur et l'information au sujet de la cause et du correctif à apporter.

- ▶ Suivez les directives figurant dans la mesure corrective.

**AVIS**



Domage du chargeur

- ▶ Si une panne persiste ou se reproduit, débranchez le chargeur du réseau électrique et communiquez avec un électricien qualifié. Porsche recommande de recourir à un partenaire d'entretien Porsche agréé.

L'aperçu suivant contient des recommandations pour régler les anomalies qui limitent ou empêchent la recharge du véhicule.

Fig. 35: Affichage des dysfonctionnements

Situation	Action recommandée
L'affichage (écran, DEL d'état, bouton d'alimentation) a complètement cessé de fonctionner.	<ul style="list-style-type: none"> <li>▶ Débranchez le chargeur du réseau électrique et faites-le remplacer.</li> <li>▶ Faites vérifier l'installation électrique résidentielle par un électricien.</li> </ul>
L'écran est vide, les DEL d'état ne changent pas de couleur et le bouton d'alimentation s'allume en rouge.	<ul style="list-style-type: none"> <li>▶ Le chargeur est en surchauffe. Débranchez le chargeur du réseau électrique et laissez-le refroidir lentement.</li> <li>▶ Si l'erreur persiste, faites remplacer le chargeur.</li> </ul>

Situation	Action recommandée
Fonctionnement restreint ou recharge impossible (message sur l'affichage).	<ul style="list-style-type: none"> <li>▶ Veillez à ce que les câbles du véhicule et d'alimentation soient branchés sur le bon côté du module de commande et correctement enfoncés dans les connexions.</li> <li>▶ Assurez-vous que le chargeur se trouve dans la plage de température autorisée.               <ul style="list-style-type: none"> <li>▷ Consultez le chapitre «Caractéristiques techniques» à la page 85.</li> </ul> </li> <li>▶ Accusez réception de tout message d'erreur qui s'affiche.</li> <li>▶ Faites un autre essai du chargeur. Appuyez sur le bouton d'alimentation pendant 10 secondes pour amorcer le chargeur.</li> </ul>
Le courant de charge est trop faible (message sur l'afficheur).	<ul style="list-style-type: none"> <li>▶ Le réseau résidentiel est surchargé. Mettez hors tension d'autres charges électriques énergivores.</li> </ul>
La tension du réseau est trop élevée (message sur l'afficheur).	<ul style="list-style-type: none"> <li>▶ Faites vérifier l'installation électrique résidentielle par un électricien.</li> </ul>
Le chargeur n'est pas dans la plage de température autorisée (message sur l'afficheur).	<ul style="list-style-type: none"> <li>▶ Désactivation pour température du dispositif: évitez les rayons directs du soleil et laissez simplement le chargeur refroidir lentement.</li> <li>▶ Désactivation pour basse température: laissez le chargeur réchauffer à la température ambiante avant de l'utiliser.</li> <li>▶ Capteur de température du dispositif défectueux: Faites remplacer le chargeur.</li> </ul>
Le disjoncteur de l'installation résidentielle a été déclenché (message sur l'afficheur).	<ul style="list-style-type: none"> <li>▶ Réduisez le courant de recharge dans les réglages sur le chargeur.</li> <li>▶ Accusez réception de tout message d'erreur qui s'affiche.</li> </ul>
Une interruption de recharge s'affiche : <ul style="list-style-type: none"> <li>▶  Le voyant blanc du bouton d'alimentation s'allume.</li> <li>▶  Les LED d'état bleues clignotent.</li> <li>▶ L'écran s'allume.</li> </ul>	<ul style="list-style-type: none"> <li>▶ Attendez que le véhicule recommence à se recharger automatiquement.</li> <li>▶ Le processus de recharge peut être arrêté à partir du véhicule.</li> </ul>

### Consignes de transport et de rangement

Ne soulevez pas, ne transportez pas et ne déplacez pas le chargeur par le câble d'alimentation, le câble du véhicule, la fiche d'alimentation ou la prise de courant du véhicule.

Soulevez et transportez toujours le dispositif dans son ensemble. N'endommagez pas le module de commande, les câbles ou les fiches lors du déplacement, p. ex., en les faisant glisser sur le sol ou sur des bords tranchants.

Conditions d'entreposage: Conserver dans un endroit frais et sec à l'abri de la lumière directe du soleil, à une température inférieure à  $-30\text{ °C}$  ( $-22\text{ °F}$ ) et supérieure à  $+50\text{ °C}$  ( $+122\text{ °F}$ ).

### Transport

#### ALERTE

Charge non arrimée

Un équipement de charge non arrimé, incorrectement sécurisé ou incorrectement placé peut glisser et présenter un danger pour les occupants du véhicule en cas de freinage, d'accélération, de virage brusque ou d'accident.

- ▶ Ne transportez jamais le chargeur s'il n'est pas arrimé.
- ▶ Transportez toujours le chargeur dans l'espace à bagages (p. ex., sur les sièges ou devant les sièges), jamais dans l'habitacle.

#### Sécurisation du chargeur pendant le transport

Le chargeur est fourni avec ou sans mallette de transport, selon le type de véhicule.

- ▶ Si la mallette de transport est fournie: Rangez toujours le chargeur dans la mallette de transport pour le transporter. Attachez le sac aux points d'arrimage avant et arrière à l'aide du crochet.  
Pour obtenir de plus amples renseignements sur les anneaux de fixation à verrou dans le coffre :
  - ▷ reportez-vous au Manuel du propriétaire.
- ▶ Si la mallette de transport n'est pas fournie: Rangez le chargeur dans l'espace à bagages durant le transport.
- ▶ Selon le type de véhicule, rangez le chargeur de manière à ce qu'il ne mette en danger aucun de ses occupants dans des situations dangereuses.



## Nettoyage et entretien

Vérifiez régulièrement si le chargeur présente des dommages et des saletés, et nettoyez-le si nécessaire.

 **DANGER**

Électrocution, incendie

Risque de blessure grave ou mortelle par incendie ou électrocution.

- ▶ N'immergez jamais le chargeur ou les prises dans l'eau et n'exposez pas le support mural à un jet d'eau direct (p. ex., nettoyeur haute pression, tuyau d'arrosage).
  - ▶ Nettoyez le chargeur uniquement lorsque le module de commande est complètement débranché du réseau électrique et du véhicule. Utilisez un chiffon sec pour le nettoyage.
-

### Élimination

Les dispositifs électriques et électroniques doivent être apportés dans un point de collecte ou un centre de gestion des déchets.

- ▶ Ne jetez pas les dispositifs électriques et électroniques dans les déchets ménagers.
- ▶ Éliminez les dispositifs électriques et électroniques conformément aux réglementations de protection de l'environnement en vigueur.
- ▶ Si vous avez des questions concernant l'élimination, communiquez avec un concessionnaire Porsche agréé.

## Caractéristiques techniques

Caractéristiques électriques 9Y0.971.675...	BL MCC96U1 A <sup>1)</sup>
Puissance	9,6 kW
Courant nominal	40 A
Tension nominale	120/208-240 V ~, 120 V à la masse
Phases	1
Fréquence de source d'alimentation	50 Hz/60 Hz
Catégorie de surtension (CEI60664)	II
Protection intégrée contre les courants de fuite	Type A (C.A. : 20 mA) + C.C. : 56 mA
Classe de protection	I
Degré de protection	IP55 (É.-U. : enceinte 3R)
Bandes de la fréquence de transmission	2,4 GHz, 5 GHz
Puissance de transmission	20 dBm
<b>Pour la Colombie seulement</b>	
Vitesse de recharge	≤ 100 %
Coefficient de puissance	1
Contenu harmonique	0,5 %

## Caractéristiques techniques

Caractéristiques mécaniques 9Y0.971.675...	BL MCC96U1 A <sup>1)</sup>
Poids du module de commande	2,54 kg (5,6 lb)
Longueur du câble du véhicule	2,5 m ou 7,5 m
Longueur du câble d'alimentation	0,3 m (1 pi)

<sup>1)</sup> A représente les changements de conception à venir et peut être n'importe quelle lettre.

Données mécaniques pour l'installation murale de base 9Y0.971.675...	BL MCC96U1 A <sup>1)</sup>
Dimensions de l'installation murale de base	385 x 135 x 65 mm (15,2 x 5,3 x 2,5 po) (longueur x largeur x hauteur)
Poids de l'installation murale de base	environ 0,45 kg (1 lb)
Dimensions du guide-câble	127 x 115 x 139 mm (5 x 4,5 x 5,5 po) (longueur x largeur x hauteur)
Poids du guide-câble	environ 0,42 kg (0.9 lb)
Dimensions du support de prise	136 x 50 x 173 mm (5,4 x 2 x 6,8 po) (longueur x largeur x hauteur)
Poids du support de prise	environ 0.14 kg (0.3 lb)
Poids de l'installation murale de base, complète	environ 1 kg (2,2 lb)

Données mécaniques de la station de recharge 9Y0.971.675...	BL MCC96U1 A <sup>1)</sup>
Dimensions de la station de recharge	373 x 642 x 232 mm (14,7 x 25,3 x 9,1 po) (largeur x hauteur x profondeur)
Poids de la station de recharge	environ 9,7 kg (21,4 lb)

Conditions environnementales et de stockage 9Y0.971.675...

BL  
MCC96U1 A<sup>1)</sup>

Température ambiante

-30 °C à +50 °C (-22 °F à +122 °F)

Humidité

5 % – 95 % sans condensation

Altitude

Maximum 5 000 m (16 404 pi) au-dessus du niveau de la mer

<sup>1)</sup> A représente les changements de conception à venir et peut être n'importe quelle lettre.

- I Date de fabrication
- J No de série
- K Désignation de type

**Déclaration de conformité**

Le chargeur comporte un système radio. Le fabricant de ce système radio déclare qu'il est conforme aux spécifications pour son utilisation conformément à la directive 2014/53/UE.

Le texte intégral de la déclaration de conformité CE est disponible à l'adresse Internet suivante :

► <http://www.porsche.com/international/accessoriesandservice/porscheservice/vehiculeinformation/documents>

Argentine



IC-CPD : CNC ID : C-24292

Plaquette d'identification

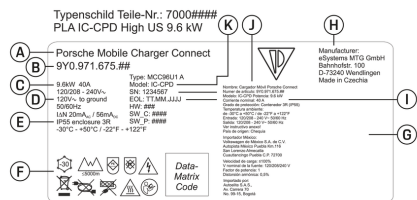


Fig. 36: Plaquette d'identification (exemple)

- A Nom du produit
- B Numéro d'article
- C Alimentation et courant nominal
- D Tension nominale
- E Degré de protection
- F Icônes pour le fonctionnement
- G Information sur la certification
- H Fabricant

Renseignements sur la fabrication

Date de fabrication

Vous trouverez la date de fabrication du chargeur sur la plaquette d'identification après l'abréviation « EOL i.O. ».

Elle se présente comme suit : Date de fabrication. Mois de fabrication. Année de fabrication

Fabricant du chargeur

eSystems MTG GmbH  
Bahnhofstrasse 100  
73240 Wendlingen  
Allemagne

Essais électriques

Si vous avez des questions sur les essais électriques réguliers de l'infrastructure de recharge (p. ex. VDE 0702), veuillez vous référer à <https://www.porsche.com/international/accessoriesandservice/porscheservice/vehiculeinformation/documents/> ou communiquez avec un concessionnaire Porsche agréé.

Importateurs

Colombie

Autoelite S.A.S  
Av. Carrera 70t  
No. 99-15, Bogotá

## Caractéristiques techniques

### Mexique

Volkswagen de México SA de CV Domicilio en  
AUTOPISTA MÉXICO PUEBLA. KM 116 LOCALI-  
DAD

SAN LORENZO ALMECATLA

CUAUTLANCINGO, PUEBLA, 72700

Téléphone: +52 222 230 9971

---

## Index

## A

Adresse IP.....	71
Aller aux les directives d'utilisation	
Avis sur la protection des données.....	47
Pour plus d'information.....	48
Application Web	
Modifier le mot de passe.....	52
Mot de passe initial.....	52
Ouverture.....	69
Perte du mot de passe.....	52
Point accès sans fil.....	69
Point d'accès.....	69
Première utilisation.....	64
Assistant de configuration.....	65
Association des comptes d'utilisateur.....	64, 73
Avis sur la protection des données.....	47

## B

Boîte à outils.....	56
Borne de recharge du véhicule.....	66

## C

Câble d'alimentation	
Prise électrique industrielle.....	59
Câble d'alimentation.....	57
Prise électrique résidentielle.....	59
Câbles	
Débranchement.....	62
Fixation.....	62
Câbles de recharge	
Types de câbles et de prises.....	57
Câbles de recharge des véhicules	
Types de câbles et de prises.....	57
Caractéristiques techniques	
Caractéristiques électriques.....	85
Caractéristiques mécaniques.....	85

Caractéristiques mécaniques de l'installation murale de base.....	85
Caractéristiques mécaniques de la station de recharge.....	85
Chargeur	
Connexion.....	70
État de charge.....	65
État du dispositif.....	65
Mot de passe initial.....	51
Pictogrammes.....	47
Puissance de recharge.....	65
Choix de l'emplacement de l'installation.....	55
Conditions environnementales et de stockage.....	85
Configuration de l'adresse IPv4.....	71
Configuration du serveur DNS.....	71
Configurer l'invite du code PIN.....	64
Connexion électrique permanente.....	85
Connexions	
Bouton jumelage CPL.....	63
Clé de sécurité CPL.....	63
Gestionnaire d'alimentation.....	64
Point accès sans fil.....	63
Point d'accès.....	64
Consignes de sécurité.....	48
Consommation d'énergie du processus de recharge.....	65
Consommation d'énergie totale	
Session de recharge courante.....	65
D	
Date de fabrication.....	87
Déclaration de conformité.....	87
Définition du compte.....	73
Données d'accès.....	51
Application Web.....	52
Numéro de série du chargeur.....	52
Dysfonctionnements.....	79

## E

Écran	
Barre d'état.....	53
Barre de menu.....	54
Langue et pays.....	63
Navigation.....	54
Élimination.....	84
Entretien.....	83
Établissement des connexions réseau	
Communication Powerline (CPL).....	72
Point accès sans fil.....	71
Point d'accès.....	71
État de charge.....	65
Étendue de la fourniture.....	51
Exportation de l'historique de recharge.....	71

## F

Fabricant.....	87
----------------	----

## G

Gestionnaire d'alimentation.....	64
Ajout.....	73
Jumelage.....	73
Régler le courant de recharge.....	64

## I

Importateurs.....	87
Insertion du module de commande dans la borne de recharge.....	77
Installation du support de prise.....	56

## L

Langue et pays.....	63
Lier l'ID Porsche.....	64
Limitation du courant de recharge.....	68

## Index

### M

Mise à jour du logiciel.....	63
Mise à la terre.....	50
Module de commande.....	53
Aperçu des connexions.....	52
Écran.....	53
Insertion dans le support mural.....	57
Moniteur de mise à la terre	
Activation.....	69
Désactivation.....	68
Montage de l'installation murale de base.....	56

### N

Nettoyage.....	83
NIP et CDP	
Modifier le mot de passe.....	52
Perte.....	52
No de série.....	87
Nom de l'hôte.....	71
Notice technique d'utilisation.....	66
Numéro d'article du chargeur.....	85
Numéro de série du chargeur.....	52

### O

Options de fonctionnement.....	54
Outils requis.....	56
Ouverture de session pour le chargeur.....	65

### P

Perte des données d'accès.....	51
Pictogrammes.....	47
Plaquette d'identification.....	87
Point d'accès.....	64
Configuration.....	71
Porsche ID.....	52
Pour plus d'information.....	48
Prise en main.....	63

Processus de recharge	
Affichage.....	71
Consommation d'énergie.....	71
Protection de l'appareil.....	64
Puissance de recharge	
Affichage.....	65

### R

Recharge	
Démarrage du chronométrage.....	67
Fin.....	67
Mise en pause.....	67
Régler le courant de recharge.....	64
Remplacement des câbles d'alimentation et des câbles du véhicule.....	61
Renseignements sur la fabrication.....	87
Réseau domestique.....	63
Adresse IP.....	71
Nom de l'hôte.....	71
Réseau Wi-Fi	
Connexion.....	71
Débranchement.....	71
Gestion.....	71
Réseau masqué.....	71
Retrait du module de commande de la station de recharge.....	77

### S

Sécurisation pendant le transport.....	82
Sélection d'un réseau.....	63
Session de recharge courante.....	65
Station de recharge.....	77
Déverrouillage.....	77
Ouverture.....	77
Verrouillage.....	77
Structure des avertissements.....	45
Symboles dans ce manuel.....	45

### T

Temps de recharge.....	67
Transmission de données.....	63
Transport, sécurisation du chargeur.....	82

### U

Usage prévu.....	50
------------------	----

### V

Vente du chargeur.....	52
------------------------	----



# Sobre este manual del propietario

## Advertencias y símbolos

En este manual se utilizan diferentes tipos de advertencias y símbolos.



### PELIGRO

Lesiones graves o muerte

El incumplimiento de las advertencias de la categoría "Peligro" puede provocar lesiones graves o la muerte.



### ADVERTENCIA

Posibles lesiones graves o muerte

El incumplimiento de las advertencias de la categoría "Aviso" puede provocar lesiones graves o la muerte.



### ATENCIÓN

Posibles lesiones leves o moderadas

El incumplimiento de las advertencias de la categoría "Atención" puede provocar lesiones leves o moderadas.

### AVISO

Posibles daños al vehículo

El incumplimiento de las advertencias de la categoría "Aviso" puede provocar daños en el vehículo.



### Información

La información adicional se indica con la palabra "Información".

- ✓ Requisitos que se deben cumplir para usar una función.
- ▶ Instrucciones que se deben seguir.

1. Las instrucciones se enumeran en casos en los que se debe seguir una secuencia de pasos.
2. Instrucciones que se deben seguir en la pantalla central.

▶ Indica dónde puede encontrar más información sobre un tema.

## Contenido

### Deutsch

#### Diríjase a las instrucciones operativas

Clave de los pictogramas.....	93
Aviso de protección de datos.....	93
Más información.....	94

#### Seguridad

Instrucciones de seguridad.....	94
Uso previsto.....	96

#### Alcance del suministro

Datos de acceso.....	97
----------------------	----

#### Descripción general

Conexiones en la unidad de control.....	98
Unidad de control del cargador.....	99
Visualizaciones y controles en la pantalla.....	99

#### Selección de la ubicación de la instalación.....

#### Herramientas necesarias.....

#### Instalar

Instalación del soporte de pared.....	102
---------------------------------------	-----

#### Configuración

Fahrzeuglade- und Netzkabel.....	103
Puesta en servicio y configuración.....	109
Primer uso de la aplicación web.....	111
Iniciando sesión en el cargador.....	111
Inicie la configuración en el cargador.....	111
Descripción general.....	111

#### Funcionamiento

Instrucciones de operación.....	112
Carga.....	113
Inicio de sesión en la aplicación web.....	115
WebApplication bedienen.....	116
Muelle de carga.....	123

#### Mal funcionamiento.....

#### Transporte.....

#### Limpieza y mantenimiento.....

#### Eliminación.....

#### Datos técnicos

Placa de identificación.....	133
Información de fabricación.....	133
Importadores.....	133

#### Índice alfabético.....

## Diríjase a las instrucciones operativas

### Clave de los pictogramas

Según el país, el cargador puede llevar varios pictogramas.



Utilice el cargador dentro de un rango de temperatura de -30 °C a 50 °C.



El cargador no debe utilizarse a una altitud superior a los 5000 m sobre el nivel del mar.



El cargador está equipado con un cable a tierra no conmutado.



El cargador está equipado con un cable a tierra conmutado.



Deshágase del cargador de acuerdo con todos los reglamentos aplicables sobre desechos.



No utilice cables alargadores ni carretes.



No utilice adaptadores (de viaje).



No utilice zapatas de varios enchufes.



No utilice cargadores si el sistema eléctrico o los cables de conexión están dañados.



Riesgo de descarga eléctrica por uso inadecuado.



Respete las instrucciones de uso suministradas, especialmente las advertencias y las instrucciones de seguridad.



La superficie del cargador puede calentarse mucho.



No utilice el cargador en redes eléctricas sin conexión a tierra (por ejemplo, redes informáticas). Utilice el cargador solo en redes eléctricas con conexión a tierra.



Utilice el cargador solo en redes monofásicas.



El cargador requiere un suministro de energía AC.



Indica el enchufe de tipo 1 con un rango de tensión  $\leq 250$  V CA.



Indica el enchufe de tipo 2 con un rango de tensión  $\leq 480$  V CA.

## Aviso de protección de datos

Para asegurar que el equipo de carga de su Porsche se puede comunicar correctamente y que siempre esté actualizado, el equipo de carga enviará los siguientes datos específicos del equipo a Porsche en formato encriptado a intervalos regulares y procesará estos datos allí: ID de dispositivo, marca, generación, tipo de dispositivo y versión del software.

Si también desea tener la opción de usar otros servicios de Porsche Connect para el equipo de carga, debe vincular su equipo de carga con su cuenta de ID de Porsche, que se encuentra disponible en el distribuidor de Porsche Connect en los mercados seleccionados. Mientras usa los servicios de Porsche Connect, los siguientes datos personales y otros datos específicos del dispositivo requeridos para la prestación de los servicios se envían a Porsche y se procesan allí: Identificación del cliente, información de la historia de carga, estado, estado de conexión y la marca de tiempo para cuando se estableció la última comunicación. Podrá encontrar más información en detalle sobre los términos y condiciones generales y sobre la política de privacidad en [www.porsche.com/connect-store](http://www.porsche.com/connect-store).

La transmisión regular de datos para su equipo de carga puede suponer costos adicionales con su proveedor de internet. Los datos que ha guardado en Porsche se pueden eliminar irrevocablemente con My Porsche. Algunos de los servicios de Porsche Connect para el equipo de carga de Porsche no están disponibles en todos los países debido a restricciones técnicas o legales.

### Más información

Más información sobre el cargador y la aplicación web está disponible en el área "E-Performance" en <https://www.porsche.com>.

## Seguridad

### Instrucciones de seguridad

#### PELIGRO

Descarga eléctrica, cortocircuito, incendio, explosión

El uso de un cargador dañado o incorrecto y un toma corriente dañado o incorrecto, el uso indebido del cargador o el incumplimiento de las instrucciones de seguridad pueden provocar cortocircuitos, descargas eléctricas, explosiones, incendios o quemaduras.

- ▶ Solo use accesorios, p. ej. cables de alimentación y del vehículo, que han sido aprobados y suministrados por Porsche.
- ▶ No use cargadores dañados o sucios. Antes de usarlos, revise si el cable o el enchufe están dañados o sucios.
- ▶ Conecte el cargador solamente a tomacorrientes correctamente instalados que no estén dañados y a instalaciones eléctricas sin fallas.
- ▶ No utilice cables de extensión, carretes de cable, tomacorrientes múltiples ni adaptadores (de viaje).
- ▶ Durante las tormentas, desconecte el cargador de la red eléctrica.
- ▶ No modifique ni repare ningún componente eléctrico.
- ▶ Solo busque expertos para corregir fallas y realizar reparaciones en el cargador.

#### PELIGRO

Descarga eléctrica, incendio

Los toma corrientes instalados incorrectamente pueden provocar descargas eléctricas o incendios cuando la batería de alto voltaje se carga mediante el puerto de carga del vehículo.

- ▶ Solo un electricista calificado puede realizar la prueba del suministro de energía y la instalación y el funcionamiento inicial de la toma de corriente del cargador. El electricista calificado es totalmente responsable del cumplimiento de las normas y regulaciones pertinentes. Porsche le recomienda que contacte a un socio de servicio Porsche certificado.
- ▶ El cargador debe operarse solo en redes eléctricas con conexión a tierra. No utilice el cargador en redes eléctricas sin conexión a tierra (p. ej., redes de TI).
- ▶ La sección transversal del cable de alimentación para la toma de corriente se define de acuerdo con la longitud del cable y las regulaciones y las normas locales vigentes.
- ▶ Para garantizar la carga ininterrumpida, recomendamos que solo use las tomas de corriente que estén conectadas a través de un circuito eléctrico con fusibles por separado para cargar.
- ▶ El cargador está diseñado para utilizarse en los sectores privado y semipúblico, p. ej., en propiedades privadas o en el estacionamiento de una empresa. En algunos países, p. ej., en Italia y Nueva Zelanda, la carga en modo 2 está **prohibida** en zonas públicas.  
Puede obtener más información en un concesionario Porsche autorizado o a través de su proveedor de electricidad local.

- ▶ Las personas no autorizadas (p. ej., niños jugando) o los animales no deben tener acceso al cargador o al vehículo durante la carga sin supervisión.
- ▶
  - ▷ Lea las instrucciones de seguridad en las instrucciones de instalación y el Manual del propietario.

**⚠ PELIGRO**

Descarga eléctrica, incendio

El manejo incorrecto de los contactos de enchufe puede provocar una descarga eléctrica o fuego.

- ▶ No toque los contactos en el puerto de carga del vehículo y el cargador.
- ▶ No inserte ningún objeto en el puerto o cargador de carga del vehículo.
- ▶ Proteja los enchufes eléctricos y las conexiones del enchufe contra la humedad, el agua y otros líquidos.

**⚠ ADVERTENCIA**

Vapores inflamables o explosivos

Los componentes del cargador pueden causar chispas y encender vapores inflamables o explosivos.

- ▶ Para reducir el riesgo de explosión, –particularmente en garajes–, asegúrese de que la unidad de control se ubique al menos 19.7 in (50 cm) por encima del suelo durante la carga.
- ▶ No instale el cargador en áreas potencialmente explosivas.



NOTA: Este equipo se ha probado y se determinó que cumple con los límites vigentes para un dispositivo digital de Clase B, de conformidad con la Parte 15 de las normas de la Comisión Federal de Comunicaciones (Federal Communications Commission, FCC).

Estos límites se diseñaron para proporcionar protección razonable contra interferencias perjudiciales en una instalación residencial. Este equipo genera, usa y puede emitir energía de radiofrecuencia; si no se instala y se usa de acuerdo con las instrucciones, puede provocar interferencia a las comunicaciones radiales. Sin embargo, no hay garantías de que no se produzcan interferencias en una instalación particular. Si el Wall Charger Connect provoca interferencias perjudiciales a la recepción de señales de radio y televisión, lo cual se puede determinar al apagar y encender el equipo, se recomienda que el usuario intente corregir la interferencia empleando una o más de las siguientes medidas:

- Reorientar o reubicar la antena de recepción de señales de radio o televisión.
- Aumentar la separación entre el equipo y el receptor.
- Conectar el equipo a una salida de corriente en un circuito diferente de donde está conectado el receptor.
- Consultar con el concesionario o con un técnico con experiencia en radio y televisión.

Los cambios o las modificaciones que no estén expresamente aprobados por el fabricante podrían anular la autoridad del usuario de operar el equipo de conformidad con las normas de la FCC. Para cumplir con los requisitos de cumplimiento de exposición a la radiofrecuencia de la FCC, el dispositivo se debe instalar de manera que exista una distancia de al menos 8 pulgadas (20 cm) de todas las personas.

Siga las instrucciones y las recomendaciones que se encuentran a continuación para garantizar una carga ininterrumpida con el cargador:

- A la hora de instalar el nuevo tomacorriente, seleccione un salida de corriente industrial con la mayor potencia disponible (adaptada a la instalación eléctrica doméstica) y contrate a un electricista calificado para que realice el trabajo. Porsche le recomienda que contacte a un socio de servicio Porsche certificado.
- Cuando sea posible en términos técnicos y esté permitido legalmente, la instalación eléctrica deberá dimensionarse de tal manera que la potencia nominal máxima del tomacorriente utilizado esté disponible de forma continua para la carga del vehículo.
- Antes de la instalación, verifique que se pueda proporcionar la energía adicional necesaria para cargar un vehículo continuamente mediante la instalación doméstica disponible. Se debe proteger la instalación doméstica con un sistema de gestión de energía, si es necesario.
- Si no está seguro acerca de la instalación eléctrica doméstica, pida a un electricista calificado que la revise. Porsche le recomienda que contacte a un socio de servicio Porsche certificado.
- Si quiere utilizar el cargador con un sistema fotovoltaico, póngase en contacto con un concesionario Porsche autorizado.
- Para aprovechar al máximo el rendimiento del cargador y garantizar una carga rápida del vehículo, utilice tomacorrientes aprobados por NEMA con la corriente nominal más alta posible adecuada para el enchufe o tomacorrientes industriales de conformidad con la norma IEC 60309.

- Cuando se carga la batería de alto voltaje a través del tomacorriente doméstico/industrial, la instalación eléctrica puede cargarse hasta su capacidad máxima. Porsche recomienda que un electricista cualificado revise periódicamente las instalaciones eléctricas utilizadas para la carga. Pregunte a un electricista calificado qué intervalos de inspección son apropiados para su instalación. Porsche le recomienda que contacte a un socio de servicio Porsche certificado.
- En el momento de la entrega, la corriente de carga se limita de manera automática para evitar el sobrecalentamiento de la instalación eléctrica. Solicite a un electricista calificado que ponga en servicio el cargador y establezca el límite de corriente de carga según se requiera para la instalación doméstica.
  - ▷ Consulte el capítulo "Límite de corriente de carga" en la página 114.

### Instrucciones de puesta a tierra

El cargador debe ser conectado a tierra. Si funcionara mal o rompiera, la conexión a tierra proporciona una ruta de menor resistencia para la corriente eléctrica, para reducir el riesgo de descarga eléctrica.

El cargador está equipado con un cable que tiene un conductor de conexión a tierra del equipo y un enchufe de conexión a tierra. El enchufe debe conectarse a una salida apropiada que se instale y se conectó correctamente de acuerdo con todos los códigos y ordenanzas locales.

### ADVERTENCIA

Descarga eléctrica, cortocircuito

La conexión inadecuada del conductor de conexión a tierra del equipo puede resultar en un riesgo de descarga eléctrica.

- ▶ Consulte con un electricista o un servicio calificado si tiene dudas sobre si el producto está correctamente conectado a tierra.
- ▶ No modifique el enchufe provisto con el producto: si no se ajustará a la toma de corriente, que un electricista calificado instale una salida adecuada.

### Uso previsto

Cargador con control y protección integrados para la carga en modo 2 para vehículos con batería de alto voltaje que cumplen las normas y directivas generales y vigentes para vehículos eléctricos.

- ▶ Utilice siempre la versión del dispositivo adecuada para la red eléctrica regional.
  - ▷ Consulte el capítulo "Datos técnicos" en la página 131.

El cargador solo se puede utilizar como una unidad combinada compuesta por el cable de alimentación, la unidad de control y el cable del vehículo.

Es apto para su uso en exteriores.

## Alcance del suministro

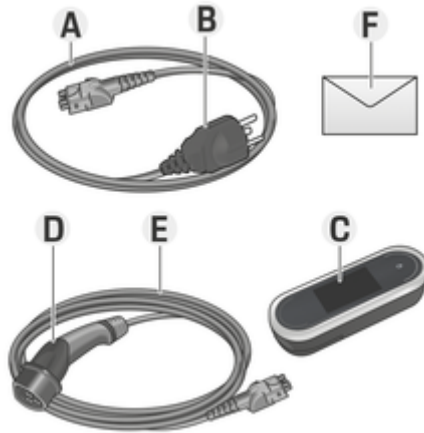


Fig. 37: Alcance del suministro

- A** Cable de alimentación (se puede enchufar a la unidad de control)
- B** Enchufe para conectar a la red eléctrica
- C** Unidad de control
- D** Enchufe del vehículo (enchufe conector para el vehículo)
- E** Cable del vehículo (específico del país; ya sea removible o asegurado a la unidad de control)
- F** Carta que contiene datos de acceso

### **i** Información

Componentes opcionales: Varios soportes de pared están disponibles para el cargador en los diferentes países, p. ej. el soporte básico de la pared o el muelle de carga.

## Datos de acceso

Junto con su dispositivo se entrega un documento que contiene los datos de acceso, que incluye todos los datos que necesita para el cargador y Web Application.

- ▶ Conserve el documento que contiene los datos de acceso en un lugar seguro.

### **i** Información

Si pierde los datos de acceso válidos en el momento de la entrega de su dispositivo, por ejemplo; el PIN preestablecido y la contraseña inicial, póngase en contacto con su distribuidor de Porsche autorizado.

- Tenga a mano el número de serie del cargador.
  - ▶ Consulte el capítulo “Número de serie del cargador” en la página 98.

El documento que contiene los datos de acceso incluye los siguientes datos:

Denominación	Significado
Número de serie	Número de serie del cargador
Wi-Fi MAC	Dirección MAC, interfaz Wi-Fi
MAC DE LA RED	Dirección MAC de la interfaz PLC doméstica
MAC del vehículo	Dirección MAC de la interfaz PLC del vehículo

Denominación	Significado
Wi-Fi SSID	<ul style="list-style-type: none"> <li>– Punto de acceso de Wi-Fi SSID</li> <li>– Nombre del servidor</li> </ul>
Wi-Fi PSK	Clave de red
Contraseña para el usuario doméstico	Contraseña inicial para el usuario doméstico de la aplicación web
Contraseña para Servicio al cliente	Contraseña inicial para la aplicación web del Servicio al cliente
PIN	Número de identificación personal
PUK	Clave personal de desbloqueo

### **i** Información

El **nombre del servidor** consta de los siguientes componentes:

Cargador+número de serie (ejemplo: MobileCharger-Connect-1234567)

### **i** Información

El campo de seguridad contiene los códigos de acceso necesarios (PIN y PUK). Este campo tiene una tinta especial que cubre estos códigos. Los códigos solo son visibles cuando este campo se humedece con agua corriente.

No frote ni raye el campo mientras lo humedece, ya que esto también podría dañar los códigos.

## Descripción general

### PIN y PUK

El PIN y PUK se utilizan para desbloquear el cargador.

- ▶ Si extravía u olvida el PIN que estableció, introduzca el PUK y establezca un nuevo PIN para desbloquear el cargador.
- ▶ Si extravía o se olvida el PUK, comuníquese con su distribuidor autorizado de Porsche.

### Contraseña de la aplicación web

La contraseña se usa para iniciar sesión en la aplicación web Web Application.

Cuando use la contraseña inicial, tenga en cuenta lo siguiente:

- ▶ Si olvida o pierde la contraseña inicial, comuníquese con un distribuidor autorizado de Porsche.

Cuando use una contraseña que estableció usted mismo, tenga en cuenta lo siguiente:

- ▶ Si extravía u olvida una contraseña que usted mismo estableció, restablezca la configuración de fábrica del cargador para que vuelva a activar la contraseña inicial (**Configuración** ⚙️ ▶ **Configuración de fábrica**).

### Número de serie del cargador

Puede encontrar el número de serie del cargador en los siguientes lugares:

- En el documento que contiene los datos de acceso, luego de la denominación "Serial Number-Serial Number"
- En la placa de identificación (en la parte posterior de la unidad de control) a continuación de la abreviatura "SNSN"

- En el cargador: **Configuración** ⚙️ ▶ **Servicio** ▶ **Información del dispositivo**
- En la aplicación web Web Application: **Configuración** ▶ **Servicio** ▶ **Información**

### ID de Porsche

Cuando el cargador está emparejado con su ID de Porsche, se puede ver la información del cargador y del proceso de carga en My Porsche y en Porsche Connect App.

Si ya no utilizará el cargador, por ejemplo, si lo vende, haga lo siguiente:

1. Desempareje el cargador de su ID de Porsche (**Configuración** ⚙️ ▶ **Perfiles de usuario**).
2. Restablezca la configuración de fábrica del cargador (**Configuración** ⚙️ ▶ **Configuración de fábrica**).

## Descripción general Conexiones en la unidad de control



Fig. 38: Conexiones en la unidad de control

- A** Cable de alimentación
- B** Cable del vehículo

El cable de alimentación **A** se retira y se conecta en la parte superior de la unidad de control.

El cable del vehículo **B** se retira y se conecta en la parte inferior de la unidad de control.



## Unidad de control del cargador

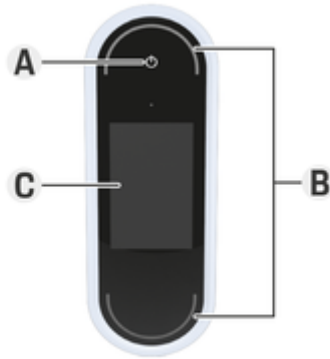


Fig. 39: Unidad de control

- A** Botón de encendido ☺
- B** Estado de LEDs ○
- C** Pantalla

El cargador se puede encender y apagar con el botón de encendido **A** (Fig. 39).

Los LED de estado **B** (Fig. 39) muestran el estado del cargador.

La comunicación con el cargador tiene lugar a través de la pantalla **C** (Fig. 39). Muestra información y mensajes de error.

## Visualizaciones y controles en la pantalla

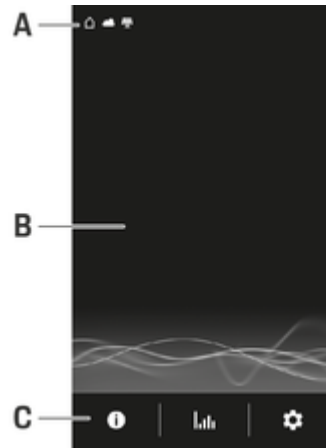


Fig. 40: Pantalla del cargador

- A** Barra de estado
- B** Área de información
- C** Barra de menú

Un sensor de brillo controla el brillo de la pantalla. El brillo se ajusta automáticamente a las condiciones de iluminación ambiental.

### Barra de estado

Varios símbolos se pueden mostrar en la barra de estado.

La siguiente descripción general muestra el significado de los símbolos de la barra de estado.


Símbolo	Significado
	Conexión Wi-Fi disponible
	Conexión del servidor disponible
	Descargando actualización de software
	Conexión a la red PLC disponible
	Punto de acceso activado
	Un perfil de carga está activado en el vehículo. Este perfil se carga de acuerdo con la configuración.
	Sistema fotovoltaico conectado

### Barra de estado

Varios símbolos se pueden mostrar en la barra de estado.

La siguiente descripción general muestra el significado de los símbolos de la barra de estado.

## Descripción general

Símbolo	Significado
	Conexión Wi-Fi disponible
	Conexión del servidor disponible
	Descargando actualización de software
	Conexión a la red PLC disponible
	Punto de acceso activado
	Monitoreo de tierra desactivado (Canadá, México)
	El cargador está conectado a un administrador de potencia
	Un perfil de carga está activado en el vehículo. Este perfil se carga de acuerdo con la configuración.
	Sistema fotovoltaico conectado





### Información

Dependiendo de la importancia, ciertos símbolos se superponen unos a otros y por lo tanto, no son visibles (los símbolos con prioridad cada vez mayor incluyen la red de PLC < WiFi Connection < Administrador de energía).

### Barra de menú

Varios símbolos se pueden mostrar en la barra de menú.

La siguiente descripción general muestra el significado de los símbolos en la barra de menú.

Símbolo	Significado
	Muestra información sobre el proceso de carga actual.
	Muestra el historial de carga
	Haciendo ajustes
	Una actualización de software está disponible.

### Opciones de operación

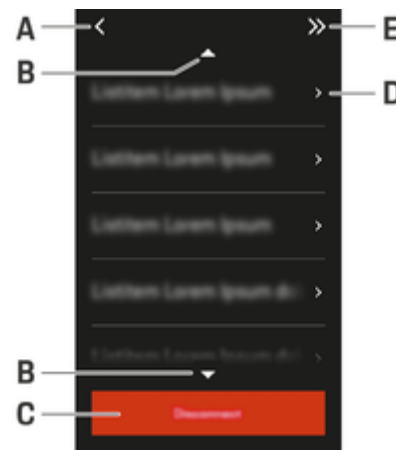


Fig. 41: Opciones de operación

- A** Atrás
- B** Arriba / Abajo
- C** Actividad
- D** Detalles
- E** Omitir

## Selección de la ubicación de la instalación

### PELIGRO

Descarga eléctrica, incendio

El uso indebido del cargador o el incumplimiento de las instrucciones de seguridad pueden provocar cortocircuitos, descargas eléctricas, explosiones, incendios o quemaduras.

- ▶ No instale el montaje de pared básico o el muelle de carga en áreas potencialmente explosivas.
- ▶ Antes de instalar el soporte de pared básico o el muelle de carga, asegúrese de que no haya cables eléctricos en el área en la que se perforen los orificios de montaje.
- ▶ Para reducir el riesgo de explosión, particularmente en garajes, asegúrese de que la unidad de control se ubique al menos 19.7 in (50 cm) por encima del suelo durante la carga.
- ▶ Cumpla con las normas de instalación eléctrica, las medidas de protección contra incendios, las normas de prevención de accidentes y las vías de escape vigentes localmente.

El soporte básico de la pared y el muelle de carga están diseñados para la instalación en interiores y exteriores. Se deben considerar los siguientes criterios cuando seleccione una ubicación adecuada para la instalación:

- Instale el toma corriente / cable de suministro, el montaje de pared básico o el muelle de carga en un área cubierta lejos de la luz solar directa y la lluvia (p. ej. en un garaje) si es posible.
- Asegúrese de que la distancia del toma corriente desde el suelo hasta el techo cumpla con las normas y las reglamentaciones nacionales, a fin de garantizar el uso confortable.
- No instale el montaje de pared básico o el muelle de carga debajo de objetos colgantes.
- No instale el montaje de pared básico o el muelle de carga en establos, instalaciones para ganado ni en ubicaciones donde haya gases de amoníaco.
- Instale el montaje de pared básico o el muelle de carga en una superficie pareja.
- Para garantizar un ajuste seguro, revise el estado de la pared antes de la instalación.
- Instale el montaje de pared básico o el muelle de carga lo más cerca posible de la posición de estacionamiento preferida para el vehículo. Tenga en cuenta la orientación del vehículo.
- Instale el montaje de pared básico o el muelle de carga de modo que no esté cerca de vías de paso y que los cable de alimentación no crucen vías de paso.
- Instale el montaje de pared básico o el muelle de carga de modo que la distancia desde el enchufe hasta el tomacorriente no supere la longitud del cable de alimentación disponible.

### Herramientas necesarias

- Nivel de aire
- Taladro eléctrico o taladro de percusión
- Destornillador

### Instalar Instalación del soporte de pared Instalación del soporte de pared básico

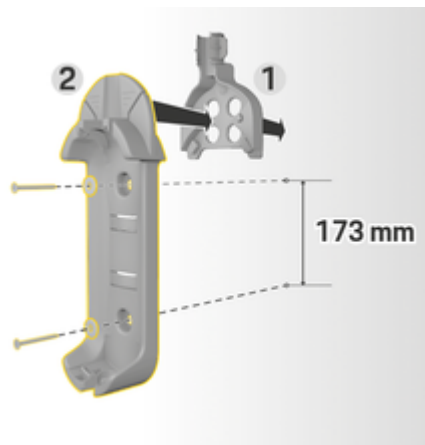


Fig. 42: Dimensiones de perforación

1. Marque los orificios de perforación en la pared.
2. Taladre los orificios de montaje e inserte los tacos tarugo.
3. Presiona el soporte de pared básico 2 (Fig. 42) en la guía del cable 1 (Fig. 42) desde el frente.
4. Atornille el soporte de pared básico a la pared.

### Instalación del soporte del enchufe

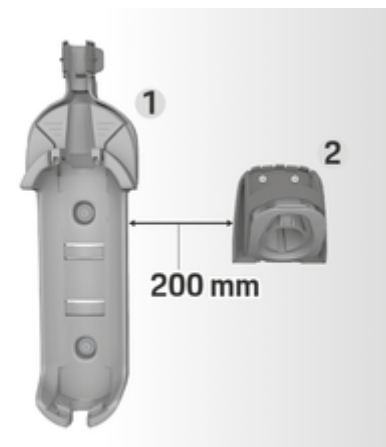


Fig. 43: Distancia entre la pared hasta el soporte del enchufe

Al instalar el soporte del enchufe, asegúrese una distancia de 7.9 in. (200 mm) desde el soporte básico de la pared.

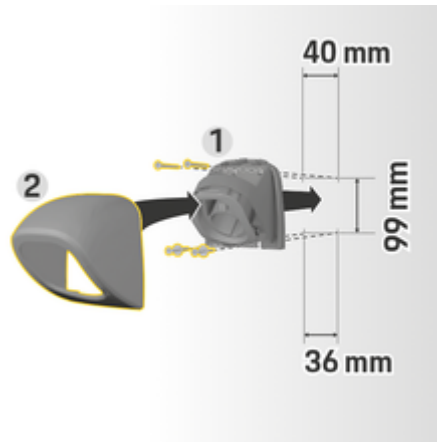


Fig. 44: Dimensiones de perforación

1. Retire el soporte del enchufe **1** de la cubierta (Fig. 44) **2** (Fig. 44).
2. Marque los orificios de perforación en la pared.
3. Taladre los orificios de montaje e inserte los tacos tarugo.
4. Atornille el soporte del enchufe **1** (Fig. 44) a la pared.
5. Encajar la cubierta **2** (Fig. 44) en el soporte del enchufe **1** (Fig. 44) desde abajo y presiónelo hacia arriba.

## Conexión de la unidad de control al soporte de la pared



Fig. 45: Montaje de la unidad de control

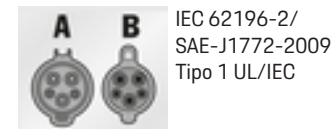
1. Guíe el cable del vehículo a través de la abertura inferior en el soporte básico de la pared, coloque la parte inferior de la unidad de control en el accesorio de bloqueo y enganche empujándolo hacia la parte trasera.
2. Guíe el cable de suministro a través de la abertura superior en el soporte básico de la pared y bloquee el anillo de presión presionándolo hacia la izquierda.
3. Inserte el enchufe del vehículo en el soporte del tapón.

## Configuración

### Fahrzeuglade- und Netzkabel

### Información sobre los cables y enchufes de carga del vehículo

Hay disponibles diferentes puertos de carga para vehículos **A** y enchufes para vehículos **B** en función del equipamiento del vehículo específico del país.



### Selección del cable de alimentación

Para cargar con frecuencia a una velocidad de carga óptima, use solo los cables de alimentación que se enumeran a continuación. La potencia de carga máxima posible es de hasta 22 kW (según la variante del dispositivo, la red eléctrica/conexión doméstica y el cargador de a bordo). Cuando viaje con el vehículo al exterior, siempre lleve el cable de alimentación correspondiente al país que visitará.

#### AVISO

En algunos países, solo se pueden usar cables de suministro aprobados. Cuando vaya a conducir en el exterior, siempre lleve el cable de alimentación adecuado para el país que visitará.

## Configuración

<b>País</b>	<b>Cables de alimentación Tomas eléctricas industriales</b>	<b>Cables de alimentación Tomas eléctricas domésticas</b>
Argentina	5, 6, 7, 8	C
Bolivia, Paraguay, Uruguay, Saint Marteen, San Martín	5, 6, 7, 8	B
Chile	5, 6, 7, 8	D
Perú	5, 6, 7, 8	A

Aprobación de los cables de alimentación según el país (ejemplos)

El cable del vehículo puede tener una longitud de 2,5 m o 7,5 m según el caso. La longitud total del cable de alimentación, la unidad de control y el cable del vehículo está limitada en algunos países, por ejemplo, a 5 m en Suiza y a 7,5 m en Israel y Estados Unidos.<sup>1)</sup>

1. Hora de publicación. Puede solicitar más información a su distribuidor autorizado de Porsche o su proveedor local de electricidad.

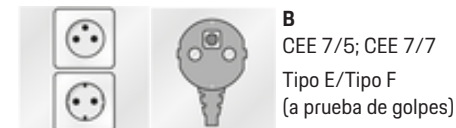
### Cables de alimentación para tomas eléctricas industriales



### Cables de alimentación para tomas eléctricas domésticas

Si no hay tomas eléctricas industriales disponibles, los cables de alimentación mencionados a continuación también se pueden usar para cargar a una potencia de carga reducida.

- ▶ En algunos países, como Abu Dabi, Israel, Singapur e India<sup>1</sup>, la carga con tomas eléctricas domésticas está **prohibida**.
- ▶ En Canadá, toda toma de corriente para cargar vehículos eléctricos debe tener una capacidad nominal de 20 A como mínimo.



1. Hora de publicación. Puede solicitar más información a su distribuidor autorizado de Porsche o su proveedor local de electricidad.



**D**  
CEI 23-16-VII  
Tipo L 16 A (5 mm)

### NEMA 6-50/NEMA 14-50 (más información)

#### Información

Rango

Esta recomendación de uso solo aplica a las regiones con la normativa NEMA 6-50/NEMA 14-50.

La carga del vehículo puede provocar altas corrientes eléctricas. Por motivos de seguridad, es obligatorio el uso de componentes aprobados exclusivamente para este fin y que un profesional instale el equipo de carga.

### Instrucciones generales de seguridad

**PELIGRO**

¡Choque eléctrico y fuego!

El uso indebido del equipo de carga y el incumplimiento de la instalación y las instrucciones de seguridad pueden causar un cortocircuito, descarga eléctrica, explosión, fuego o quemaduras.

- ▶ Lea las instrucciones de instalación en las instrucciones de funcionamiento para su equipo de carga.
- ▶ Preste especial atención a todas las instrucciones de seguridad y advertencia que se proporcionan allí.
- ▶ Haga que la instalación sea realizada por alguien con la capacitación eléctrica y la experiencia necesarias.
- ▶ Preste atención también a las regulaciones sobre instalaciones eléctricas en su país.

### Requisitos para el tomacorriente

**PELIGRO**

Tomas de corriente inadecuadas

Una toma de corriente inadecuada puede causar un cortocircuito, descarga eléctrica, explosión, fuego o quemaduras.

- ▶ Use solo un tipo de enchufe de alimentación adecuado para esta instalación (consulte **los tipos de toma de corriente / enchufe de alimentación adecuados**).
- ▶ Utilice únicamente los salidas de energía que cumplan con los requisitos para la calidad de las superficies de contacto y la sujeción (consulte **los requisitos para la calidad de las salidas de energía**).
- ▶ Evite el contacto directo entre los tornillos de sujeción y el cable. Es mejor usar terminales para cable.
- ▶ Evite sujetar el cable al aislamiento.

Tipos de tomacorriente/enchufes adecuados

– NEMA 6-50



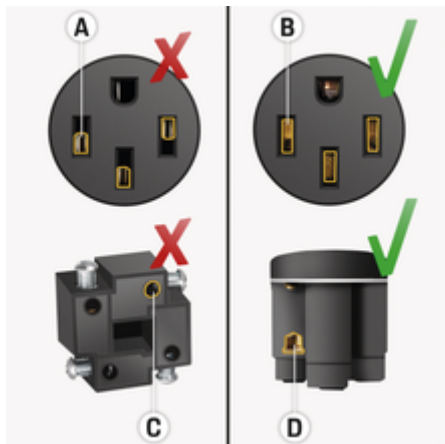
NEMA 6-50  
Enchufe/tomacorriente



NEMA 14-50  
Enchufe/tomacorriente

Requisitos de calidad de tomacorrientes





- A** Área de contacto solo de la mitad de la altura del contacto del enchufe
- B** Área de contacto sobre la altura completa del contacto del enchufe
- C** Área de contacto mínima entre el tornillo de sujeción y el alambre trenzado
- D** Área de contacto amplia entre la placa de sujeción y el alambre trenzado

### Requisitos para la instalación de cables

#### ⚠ PELIGRO

Cable de alimentación inadecuado

El uso de cables de alimentación inadecuados o corrientes excesivamente altas puede causar un cortocircuito, descarga eléctrica, explosión, fuego o quemaduras.

- ▶ El cable debe estar protegido con un fusible de 50A.
- ▶ Use solo cable de cobre con una sección transversal de conductores de al menos 8 AWG, mejor 6AWG.

### Requisitos para la instalación en exteriores

#### ⚠ PELIGRO

Contacto directo con la lluvia

El contacto directo con la lluvia cuando se usa el equipo de carga al aire libre puede causar un cortocircuito, descarga eléctrica, explosión, fuego o quemaduras.

- ▶ Evite el contacto directo entre el equipo de carga y la lluvia.
- ▶ Use una carcasa a prueba de lluvia NEMA3R.

### Cambio de cables de alimentación y cables del vehículo

#### ⚠ PELIGRO

Descarga eléctrica

Riesgo de lesiones graves o fatales por descarga eléctrica.

- ▶ Antes de cambiar el cable de alimentación, siempre desenchúfelo del toma corriente y desconecte el cable del puerto de carga del vehículo.
- ▶ Cambie los cables solo en un ambiente seco.
- ▶ Utilice solo cables aprobados por Porsche.

▶ Consulte el capítulo "Alcance del suministro" en la página 97.

En algunos países, p. ej., en Noruega, Italia, Portugal y España<sup>1</sup>, solo un electricista calificado debe cambiar el cable de alimentación. Porsche le recomienda que contacte a un socio de servicio Porsche certificado.

1. Fecha de impresión. Puede obtener más información en un concesionario Porsche autorizado o a través de su proveedor de electricidad local.

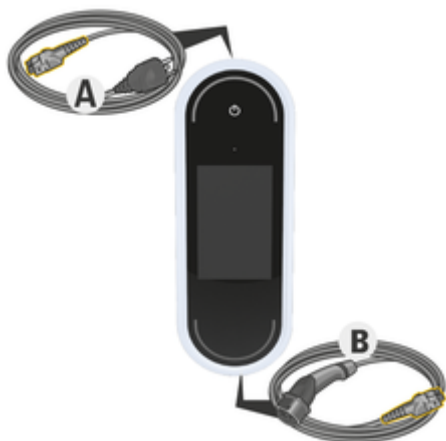


Fig. 46: Conexiones en la unidad de control

El cable de alimentación **A** se retira y se conecta en la parte superior de la unidad de control.

El cable del vehículo **B** se retira y se conecta en la parte inferior de la unidad de control.

## Desconexión de cables

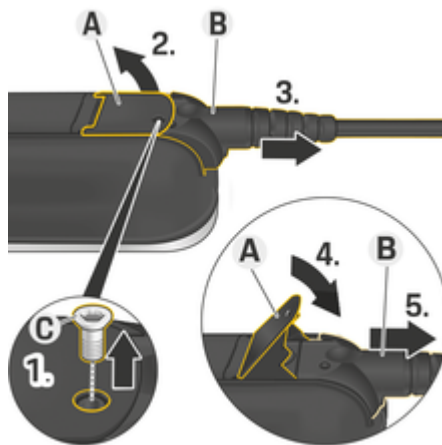


Fig. 47: Desconexión de cables

- ✓ La carga de la batería de alto voltaje ha finalizado y el enchufe del vehículo se ha retirado del puerto de carga del vehículo.
  - ✓ El enchufe se ha desconectado de la toma de corriente.
1. Extraiga el tornillo **C** (Fig. 47) con una herramienta apropiada.
  2. Levante la palanca **A** (Fig. 47).
  3. Retire el enchufe **B** (Fig. 47) hasta que se sienta la resistencia por primera vez.
  4. Cerrar la palanca **A** (Fig. 47).
  5. Retire el enchufe **B** (Fig. 47) por completo.

## Asegurar cables

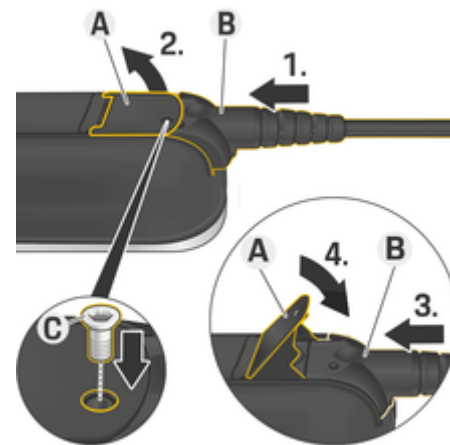


Fig. 48: Asegurar cables y enchufes

- ✓ La palanca **A** (Fig. 48) está cerrada.
1. Inserte el enchufe **B** (Fig. 48) en la unidad de control hasta que se sienta por primera vez resistencia.
  2. Levante la palanca **A** (Fig. 48).
  3. Empuje el enchufe **B** (Fig. 48) por completo.
  4. Cerrar la palanca **A** (Fig. 48).
  5. Asegure el enchufe **B** (Fig. 48) a la unidad de control mediante el tornillo **C** (Fig. 48).

## Puesta en servicio y configuración

### Puesta en servicio

Configurar los siguientes ajustes antes de utilizar el cargador por primera vez.



#### Información

- Opciones marcadas **Omitir** se puede omitir una opción no está configurada en este caso.
- Los ajustes siempre se pueden cambiar en la pantalla (⚙️).

### Idioma y país

1. Seleccione un idioma de la lista. Confirme su selección.
2. Seleccione un país de la lista.
3. Confirme el idioma y el país seleccionados.

### Transmisión de datos

- ▶ Lea y confirme las instrucciones para transmitir datos.

### Actualizaciones de software

Para garantizar el funcionamiento total y la utilización segura del cargador, debe instalarse el software más reciente.

- ▶ Seleccione y confirme la opción de actualización automática de software.

**Activado** El cargador verifica si hay actualizaciones de software disponibles y las descarga de forma automática.

La instalación puede comenzar de forma directa o posponerse.

**Desactivado** El cargador verifica si hay actualizaciones de software disponibles y muestra el mensaje correspondiente. Puede iniciar la descarga de forma manual.

Una vez finalizada la descarga, la instalación puede comenzar directamente o posponerse.

Si no es posible establecer una conexión de Internet con el cargador, las actualizaciones de software pueden descargarse de forma manual por medio de la dirección web que figura en la sección de **E-Performance** en <https://www.porsche.com> e instalarse a través de la aplicación web.

### Seleccionar una red

Seleccione la opción para conectarse a una red doméstica. La opción se puede omitir con **Omitir**. Luego, no se establece ninguna conexión a una red doméstica. Cuando el cargador está conectado a una red doméstica existente, las funciones avanzadas y la información están disponibles. La conexión es posible a través de WiFi o una red de comunicación PowerLine (Red PLC). Si no hay una red doméstica disponible, se puede configurar un punto de acceso en el cargador.



#### Información

Las redes públicas de WiFi sin protección de contraseña no son compatibles y no se pueden usar.

### Conexión a través de Wi-Fi


1. Seleccione la **Wi-Fi** opción.
2. Seleccione la red doméstica de la lista de redes Wi-Fi detectadas.
3. Ingrese y confirme la contraseña.

### Conexión a través del botón de emparejamiento del PLC

1. Seleccione la **Tecla de emparejamiento de PLC** opción.
2. Inicie el proceso de configuración de la conexión en el módem del PLC. Confirmar presionando **OK** en el cargador.

Una vez que se conecta a la configuración, confirme con **Conectar**.


➔ Se establece la conexión a la red PLC.

Si se establece una conexión a la red PLC, el  símbolo se muestra en la barra de estado.

### Conexión a través del código de seguridad del PLC

Para este método se debe usar un dispositivo en el que se instala el software de control para la red PLC.

1. Para establecer una conexión a una red PLC utilizando el código de seguridad, seleccione **Clave de seguridad de PLC**.
  - ➔ El código de seguridad aparece en la pantalla.
2. Para integrar el cargador a la red PLC, ingrese el código de seguridad en el menú correspondiente del software de control para la red PLC.
  - ➔ Se establece la conexión a la red PLC.

Si se establece una conexión a la red PLC, el  símbolo se muestra en la barra de estado.



#### Información

Características del PLC:

- interfaces separadas en el vehículo y la infraestructura
- PLC según IEEE P1901
- Enchufe de casa AV

- Cifrado: 128-bit AES
- Frecuencia de banda: 2-30 MHz

### Perfiles de usuario (emparejamiento PorscheID)

Cuando el cargador está emparejado a su Porsche ID, la información sobre el cargador y los procesos de carga se pueden mostrar en My Porsche o en la Porsche Connect app.

#### Para combinar el cargador con su Porsche ID:

- ▶ Llame al sitio web especificado en la pantalla en el cargador en el navegador en su dispositivo e ingrese el código de usuario.

– o bien –

Escanee el código QR que se muestra en el cargador. Puede escanear el código QR de las siguientes maneras:

- Utilizando la Porsche Connect app (**Mi cuenta > Cables y dispositivos de carga > Escanear código QR**).
- Usando la cámara en su dispositivo (iOS 11 o superior, diferente para Android).
- Utilizando una aplicación para escanear códigos QR.

Cuando el cargador se ha emparejado con éxito, el asistente de configuración pasa al siguiente paso.

### conecte el administrador de potencia

Es posible establecer una conexión a un administrador de energía si está disponible. El administrador de energía, entonces asume el control del proceso de carga.

- ▶ Para obtener instrucciones para conectarse, consulte las instrucciones de funcionamiento del administrador de energía.

Si no hay disponible un administrador de potencia, el vehículo se cargará en la corriente de carga ingresada en el cargador:


- ▶ **Configuración** ⚙️ ▶ **Ajustar corriente carga**

▶ Consulte el capítulo "Ajuste la corriente de carga" en la página 110.

### Punto de conexión

Si no es posible integrarlo en una red doméstica, el cargador puede activar un punto de acceso, estableciendo así una conexión a la aplicación web en el cargador.

- ▶ Para activar un punto de acceso, haga clic en **Activar hotspot**.

Una vez que se ha activado un punto de acceso, el símbolo  aparecerá en la barra de estado.

#### Información

Cuando se utiliza los sistemas Android, la conexión puede tener que ser confirmada por separado para que se establezca una conexión de punto de acceso.

### Ajuste la corriente de carga

La corriente de carga máxima permitida para el cargador se puede establecer desde aquí si no hay un administrador de energía disponible en la red doméstica.

El valor máximo que se muestra se determina en función de los tipos de cable que están conectados.

- ▶ Establezca la corriente de carga en el máximo valor disponible en la red eléctrica que se utiliza para el cargador. Utilice **Más** y **Menos** para ello.
- ▶ Consulte el capítulo "Límite de corriente de carga" en la página 114.

### Protección del dispositivo

Para evitar que un vehículo no autorizado se conecte al cargador, se puede configurar un indicador de PIN.

1. Para activar el indicador PIN, seleccione **Activado**.
2. Introduzca un PIN de 4 dígitos y confirme.
3. Ingrese el PIN nuevamente y confírmelo.
  - ➡ Se confirma la activación del indicador del PIN.

### Terminando el proceso de configuración

- ▶ Compruebe la configuración que ingresó usando **Resumen** y complete la instalación.

## Primer uso de la aplicación web

Antes de poder utilizar el cargador y el Web Application para el uso diario, el primer paso es configurar el cargador. Luego hay que establecer una conexión entre el dispositivo terminal (PC, tableta o teléfono inteligente) y el cargador.

### Requisitos para el primer uso de la aplicación web

Tenga a mano la siguiente información para la solicitud inicial en la aplicación web Web Application:

- Documento con los datos de acceso del Porsche Mobile Charger Connect para el registro en el Web Application del cargador
- Datos de acceso para la red doméstica
- Datos de acceso para utilizar el perfil del usuario (a fin de vincularlo con el ID de Porsche)

La aplicación web es compatible con los siguientes navegadores:

- Google Chrome versión 57 o posterior (recomendado)
- Mozilla Firefox versión 52 o posterior (recomendado)
- Microsoft Internet Explorer versión 11 o posterior
- Microsoft Edge
- Apple Safari versión 10 o posterior

## Iniciando sesión en el cargador

### Información

Los datos para iniciar sesión en el cargador, se detallan en la carta adjunta que contiene los datos de acceso. El campo de seguridad contiene los códigos de acceso (PIN y PUK). Este campo tiene tinta especial que cubre los códigos.

Los códigos solo son visibles cuando este campo se humedece con agua potable.

No frote ni raye el campo mientras lo humedece, ya que esto también podría dañar los códigos.

- ✓ El cargador está encendido.
- ✓ La carta que contiene los datos de acceso, está a la mano.

1. Encuentra el PIN en la carta. Para ello, humedezca el campo de seguridad con el fin de hacer que el legible el PIN.
2. Ingresar el pin.

## Inicie la configuración en el cargador

La configuración del cargador se realiza con la ayuda del asistente de configuración, que guía al usuario a través de la instalación en varios pasos. La configuración debe completarse para que el cargador pueda usarse correctamente.

► Lea las instrucciones de funcionamiento del Porsche Mobile Charger Connect, para obtener más información sobre la configuración del cargador.

## Descripción general

La aplicación web ofrece opciones de configuración más amplias que las del dispositivo.

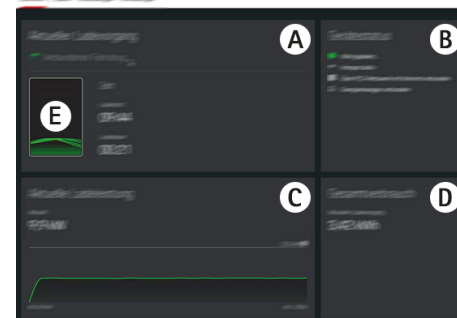


Fig. 49: Descripción general de la aplicación web

### A Proceso de carga actual

Muestra información sobre la sesión de carga actual, como la hora de inicio y la duración de la sesión de carga.

### B Estado del dispositivo

Muestra información sobre el dispositivo, por ejemplo:

- el estado actual de carga
- la conexión de red utilizada
- El estado de la conexión al administrador de potencia (si está presente)
- La disponibilidad de una actualización de software.
- La desactivación de la supervisión de conexión a tierra

### C Potencia de carga actual

El flujo actual de energía eléctrica [en kilovatios] desde el cargador a la carga.

Progresión de la curva: La curva mostrada representa el progreso temporal de la potencia de carga desde el inicio de la carga, así como el consumo total de energía [en Kilowatt].

En la curva, seleccione una hora para ver la potencia de carga en ese momento.

### D Consumo

El consumo total de energía para la sesión de carga actual o la última [en kilovatios hora].

### E Estado de la carga

The color used in the overview indicates the charge status of the device:

- Rojo: Mensaje de error
- Azul: Carga en pausa
- Verde: El vehículo está cargando.
- Blanco: Ningún vehículo está conectado al cargador.

## Funcionamiento

### Instrucciones de operación

En algunos países, se debe notificar a las autoridades pertinentes cuando se conecta un equipo de carga para vehículos eléctricos.

- ▶ Compruebe si tiene obligación de notificar a las autoridades y los requisitos legales de funcionamiento antes de conectar el equipo de carga.

#### AVISO

Daño en el cargador

- ▶ Coloque siempre el cargador en una superficie sólida durante la carga.
- ▶ Porsche recomienda que use el cargador en el soporte básico de la pared o en el muelle de carga. En algunos países, p. ej., Suiza <sup>1</sup>, el cargador solo se puede utilizar en el montaje de pared básico o en el muelle de carga.
- ▶ No sumerja el cargador en agua.
- ▶ Proteja al cargador de la nieve y el hielo.
- ▶ Maneje el cargador con cuidado y protéjalo de daños potenciales de pasar sobre él con un vehículo, se cae, se tira, se dobla o se aplasta.
- ▶ No abra la carcasa del cargador.

#### AVISO

Daño en el cargador

El cargador solo se debe usar dentro de un rango de temperatura de -22 °F to +122 °F (-30 °C to +50 °C).

- ▶ Para evitar que se sobrecaliente durante el funcionamiento, evite la exposición continua del cargador a la luz solar directa. Si el cargador se sobrecalienta, la carga será interrumpida o la potencia se reducirá automáticamente hasta que la temperatura regrese al rango normal.
- ▶ Si el cargador está demasiado caliente o demasiado frío, déjelo regresar lentamente al rango de temperatura de funcionamiento y no lo enfríe ni lo caliente activamente p. ej. enfriándolo con agua fría o calentándola con un secador de pelo.

1. Tiempo de impresión: Puede obtener más información en un concesionario Porsche autorizado.

## Carga

### Notas sobre la carga

#### Puerto de carga del vehículo

Para obtener información sobre cómo conectar y desconectar el cable del vehículo hacia y desde el puerto de carga del vehículo y para conocer el estado de carga y conexión del puerto de carga del vehículo:

► Consulte el Manual del propietario.



**PELIGRO**

Descarga eléctrica, incendio

Riesgo de lesiones graves o fatales debido a incendio o descarga eléctrica.

- Siempre observe la secuencia especificada para el proceso de carga.
- No desconecte el cable del vehículo del puerto de carga del vehículo durante el proceso de carga.
- Termine el proceso de carga antes de desconectar el cable del vehículo del puerto de carga del vehículo.
- No desconecte el cargador del toma corriente durante el proceso de carga.

Los errores se muestran en la pantalla y se indican con LED de estado rojo. Se mostrará el mensaje de error, se mostrará la causa y una medida correctiva.

- Consulte el capítulo "Mal funcionamiento" en la página 125.

### Tiempos de carga

La duración de la carga puede variar según los siguientes factores:

- Toma de corriente utilizada (toma de corriente doméstica o toma de corriente industrial)
- Tensión y corriente de la red eléctrica específicas del país
- Ajustes para limitar la corriente de carga en el cargador
- Fluctuaciones en la tensión de la red
- Temperatura ambiente del vehículo y cargador. Los tiempos de carga pueden ser más largos a temperaturas en los extremos superior e inferior de la temperatura ambiente permitida.
  - Consulte el capítulo "Desactivar y activar la supervisión de conexión a tierra" en la página 115.
- Temperatura de la batería de alto voltaje y unidad de control
- Pre enfriamiento / calefacción del compartimento de pasajero activado
- Capacidad de transporte de corriente del enchufe de alimentación y del enchufe del vehículo

#### Información

Debido a los diferentes sistemas de redes eléctricas nacionales, se encuentran disponibles muchas variantes de cable. Esto puede provocar que el rendimiento de carga completo no esté disponible. Puede obtener más información en un concesionario Porsche autorizado.

### Inicio, pausa y detención de la carga

#### Inicio de la carga

1. Inserte el enchufe en el toma corriente.

El botón de encendido se ilumina en blanco.

Los LED de estado se iluminan en blanco

➔ La pantalla se enciende.

2. Inserte el enchufe del vehículo en el puerto de carga.

El botón de encendido se ilumina en blanco.

Los LED de estado pulsan blanco.

Para obtener información sobre cómo conectar el cable del vehículo al puerto de carga del vehículo:

► Consulte el Manual del propietario.

➔ Tras una auto prueba exitosa y cuando se establece la conexión, los LED de estado se iluminan en blanco.

3. La carga inicia de forma automática.

El botón de encendido se ilumina en blanco.

LED de estado pulsan verde.

4. Después de unos minutos, la pantalla cambia al modo de espera.

➔ El vehículo está cargando.

#### Información

- El vehículo controla la carga. El proceso de carga solo se puede detener en el vehículo.
- El estado de carga se muestra en la pantalla siempre que el cargador no esté en modo de espera. La pantalla se puede activar de nuevo presionando el botón de encendido .
- Una característica de apagado de alta temperatura evita el sobrecalentamiento mientras se carga.

### Colocación en pausa de la carga

La carga está controlada por el vehículo y puede pausarse ocasionalmente, p. ej., para optimizar el consumo de energía.

Cuando se detiene la carga, esto se indicará en la unidad de control:

- El botón de encendido se ilumina en blanco.
- Los LED de estado parpadean en color azul.
- La pantalla se enciende.

El vehículo se comienza a cargar de nuevo automáticamente. El proceso de carga se puede detener en el vehículo.

### Detención de la carga

- ✓ La carga se completó con éxito.
- El botón de encendido se ilumina en blanco.
- Los LED de estado se iluminan en verde.
- La pantalla enciende y muestra información sobre el proceso de carga completado. Después de unos minutos, el cargador cambia al modo de espera.
- ▶ Desconecte el enchufe del vehículo del puerto de carga del vehículo.

### Límite de corriente de carga

La unidad de control detecta de forma automática la tensión y la corriente disponible. La potencia de carga que se utilizará se puede establecer mediante la limitación de la corriente de carga. Durante el suministro, la corriente de carga se limita al 50 % para evitar el sobrecalentamiento de la instalación eléctrica.

Si el cargador está conectado al administrador de potencia, el administrador limita la corriente de carga de acuerdo con los valores que se establecieron en

este. Otros consumidores de la red doméstica también pueden reducir la corriente de carga máxima disponible, por ejemplo, un calentador eléctrico o un calentador de agua. La potencia de carga nunca se debe establecer por encima de la potencia máxima disponible del circuito eléctrico que se utiliza. Si no está seguro de ello, póngase en contacto con un electricista calificado.

Cuando se utiliza una toma de corriente industrial, la potencia de carga se ajusta automáticamente al 50 % después de desenchufar el enchufe de la red o después de un corte de corriente

### Enchufe y cargue

Con Plug & Charge, el vehículo puede cargarse en instalaciones de carga adecuadas en zonas privadas y públicas sin necesidad de iniciar previamente el proceso de carga en el punto de recarga o en el cargador. El proceso de carga se factura automáticamente sobre la base del contrato con el proveedor de electricidad de carga.

- ✓ Vehículo habilitado para funciones de carga inteligente.
- ✓ Infraestructura de carga adecuada para Plug & Charge.
- ✓ El contrato con el proveedor de energía de carga incluye a Plug & Charge.

### Private Plug & Charge

Si la protección del dispositivo está activada en el Mobile Charger Connect, el proceso de carga solo podrá iniciarse introduciendo el PIN ▶ Consulte el capítulo “Protección del dispositivo” en la página 110. Esto sirve para proteger contra el acceso no autorizado.

### Lista de vehículos (registro de vehículos)

Tras introducir el PIN, se le preguntará si el vehículo debe incluirse en la lista de vehículos Mobile Charger Connect. Con el consentimiento, un emparejamiento único del vehículo con el Mobile Charger Connect reconocerá inmediatamente el vehículo después de enchufar el cable de carga y liberará el proceso de carga. De este modo, para todos los demás procesos de carga con este vehículo, ya no es necesario introducir un PIN.

### Consultar la lista de vehículos

Se pueden registrar varios vehículos en el Mobile Charger Connect. Cada vehículo aparece por separado en la lista de vehículos.

- ▶ **Configuración** Seleccionar la **lista de vehículos**.

Los vehículos pueden ser eliminados de nuevo a través de esta lista.



## Desactivar y activar la supervisión de conexión a tierra



**PELIGRO**

Descarga eléctrica, cortocircuito, incendio, explosión

El uso del cargador sin supervisión de conexión a tierra puede causar descargas eléctricas, cortocircuitos, incendios, explosiones o quemaduras.

- ▶ El cargador debe operarse preferiblemente en redes eléctricas con conexión a tierra.
- ▶ Desactive la supervisión de conexión a tierra solo en redes eléctricas sin conexión a tierra.
- ▶ Active la supervisión de conexión a tierra solo en redes eléctricas con conexión a tierra.
  - ▷ Consulte el capítulo "Activar la supervisión de conexión a tierra" en la página 115.

## Desactivar la supervisión de conexión a tierra

- ✓ El mensaje de error sobre la conexión a tierra interrumpida o no existente se muestra en la pantalla.
  - ✓ La supervisión de conexión a tierra ha detenido el proceso de carga o impide que se inicie.
    - ☉ El botón de encendido se ilumina en rojo.
    - Los LED de estado se iluminan en rojo.
 Se muestra un mensaje de error en la pantalla.
1. Para desactivar el monitoreo de puesta a tierra, confirme el mensaje de error con **Confirmar**.
  2. Mantenga presionado el botón de encendido ☉ durante 3 segundos.

3. Reconozca la desactivación de supervisión de conexión a tierra presionando **Confirmar**.
  - ➔ La supervisión de conexión a tierra también permanece desactivado para las siguientes sesiones de carga.

## Activar la supervisión de conexión a tierra

Si está utilizando el cargador en una red eléctrica a tierra, active la supervisión de conexión a tierra.

1. Abra el menú **Supervisión de conexión a tierra (Configuración ⚙ ▶ Supervisión de conexión a tierra)**.
2. Activar supervisión de conexión a tierra a través de **Active**.  
 Cuando la supervisión de conexión a tierra está activa, el elemento del menú **Supervisión de conexión a tierra** no aparece en el menú **Configuración ⚙**.

## Inicio de sesión en la aplicación web

Para el funcionamiento estándar de la aplicación web, use el perfil de usuario doméstico. El perfil de servicio al cliente tiene opciones de configuración adicionales y está diseñado para uso de su distribuidor autorizado de Porsche.

- ✓ Los datos de acceso están al alcance de la mano.
1. En el **Usuario** campo, seleccione el usuario correspondiente.
  2. Ingrese la contraseña (de la carta que contiene los datos de acceso).

## Información

Después de 25 minutos de inactividad, el usuario se desconecta automáticamente de la aplicación web.

## Abrir la aplicación web

Las opciones de configuración adicionales y la información detallada sobre los procesos de carga anteriores se pueden mostrar utilizando una aplicación web, que es específica para cada cargador.

## Información

- Según el navegador que esté utilizando, la aplicación web no se abrirá inmediatamente; en su lugar, se mostrará primero la información sobre la configuración de seguridad del navegador.
- La forma de ingresar a la clave de red para llamar a la aplicación web depende del sistema operativo del dispositivo final.


## Abrir la aplicación web a través del punto de conexión

La aplicación web se puede llamar utilizando un dispositivo (PC, tableta o teléfono inteligente) a través de un punto de acceso establecido por el cargador. Para configurar un punto de acceso:

- ▶ Consulte el capítulo "Punto de conexión" en la página 110.
- ▶ Para abrir la aplicación web mientras un punto de conexión está activo, ingrese la siguiente dirección IP en la línea de direcciones del navegador: 192.168.0.1

### Abrir la aplicación web a través de Wi-Fi

La aplicación web se puede llamar en el navegador en un dispositivo (PC, tableta o teléfono inteligente) que inicia sesión en la misma red doméstica que el cargador.

- Ingrese la dirección IP actual del cargador en la línea de direcciones del navegador. Encontrará la dirección IP actual debajo **Configuración** 
  - ▶ **Red** ▶ **Información de la red.**
  - o bien –Ingrese el nombre de host del cargador en la línea de direcciones del navegador. Encontrará el nombre del host en la carta que contiene los datos de acceso.

▶ Para obtener información sobre la aplicación web, consulte las instrucciones en <https://www.porsche.com/international/about-porsche/e-performance/help-andcontact/>

### WebApplication bedienen


#### Abrir la aplicación web

##### Establecimiento de una conexión al cargador


Si se integró el cargador a la red doméstica existente (Wi-Fi o Powerline Communication) durante la instalación, es posible acceder a la aplicación web a través de la dirección IP asignada.

Para información sobre el establecimiento de conexiones de red ▶ Consulte el capítulo “Conexiones” en la página 117..

##### Abrir la aplicación web a través de Wi-Fi

- ✓ El dispositivo final y el cargador están en la misma red Wi-Fi.
- 1. Abra el navegador.
- 2. En la barra de direcciones del navegador: Ingrese la dirección IP asignada durante la configuración (bajo **Configuración**  ▶ **Redes** ▶ **Información de la red** en el cargador), o el nombre de host del cargador (proporcionado en la carta que contiene los datos de acceso).

##### Apertura de la aplicación web a través de la comunicación Powerline

- ✓ El dispositivo final y el cargador están en la misma red a través de una conexión de PLC.
- 1. Abra el navegador.
- 2. En la barra de direcciones del navegador: Ingrese la dirección IP asignada durante la configuración (bajo **Configuración**  ▶ **Redes** ▶ **Información de la red** en el cargador).

### Abrir la aplicación web a través del punto de conexión

Alternativamente, se puede establecer una conexión a través del punto de acceso. El cargador brinda un punto de conexión inalámbrico (hotspot) que está protegido por una contraseña y requiere un inicio de sesión manual. Un dispositivo terminal con Wi-Fi habilitado puede conectarse a un punto de conexión y acceder a la aplicación web del cargador. La integración en la red doméstica puede realizarse en cualquier momento en la aplicación web.

- ✓ El cargador está encendido. El cargador abre su punto de conexión Wi-Fi de forma automática.
- 1. Presione el ícono de red o el ícono de Wi-Fi que se encuentra en la barra de información del dispositivo terminal.
- 2. Seleccione la red Wi-Fi de la lista. El nombre de la red Wi-Fi corresponde al SSID en del documento de datos de acceso y aparece como **ICCPD-#####**.
- 3. Presione el botón conectar.
- 4. Introduzca la clave de red en el campo **Clave de seguridad** (designada en la carta que contiene los datos de acceso como **Wi-Fi PSK**).
  - ➔ Se establece la conexión a la red Wi-Fi.
  - Tenga en cuenta lo siguiente: Para el sistema operativo Windows 10, es necesario ingresar el PIN del enrutador. Seleccione el enlace Conectar utilizando un código de seguridad de red y luego ingrese el código.
- 5. Abra el navegador.
- 6. Ingrese la siguiente dirección IP en la barra de direcciones del navegador. **192.168.0.1**.

### **i** Información

Cuando el dispositivo final está en una red doméstica, ya no puede acceder a la aplicación web a través de la dirección IP del punto de acceso (192.168.0.1), pero en vez de eso solo a través de la dirección IP generada automáticamente o el nombre de host del cargador.

- Entradas existentes de dirección IP:
  - Web Application: **Servicio** ▶ **Información del dispositivo**
  - Cargador: **Configuración** ⚙ ▶ **Redes** ▶ **Información de la red**
- Entradas existentes de nombre del servidor:
  - Carta que contiene datos de acceso
  - Web Application: **Servicio** ▶ **Información del dispositivo**

### Redirección a la aplicación web

### **i** Información

Según el navegador que esté utilizando, la aplicación web no se abrirá inmediatamente; en su lugar, se mostrará primero la información sobre la configuración de seguridad del navegador.

1. En el mensaje de aviso que se muestra en el navegador, seleccione **Avanzado**.
2. En la siguiente ventana de diálogo, seleccione **Agregar excepción**.
  - ➔ Se confirma el certificado SSL y se abre la aplicación web.

## Historial de carga

Las sesiones de carga del cargador se enumeran aquí cronológicamente. La siguiente información está disponible para cada sesión de carga:

- Hora
- Tiempo de carga
- Consumo
- Costos (si hay un administrador de energía disponible)
- Cuenta utilizada (si se seleccionó una cuenta durante la sesión de carga activa)

La aplicación web ofrece la opción de exportar el historial de carga como un archivo de Excel.

1. Seleccione **Exportar historial de carga**.
2. Navegue hasta la ubicación de memoria deseada y guarde el archivo.

### **i** Información

Para cada sesión de carga activa, las cuentas **Trabajo** o **Privado** están disponibles para su selección con fines de evaluación. La cuenta se puede elegir en la información de la **Sesión de carga actual** (ícono **i** en la barra de menú) en el cargador. La selección también se adopta para la siguiente sesión de carga y debe reasignarse si es necesario.

## Conexiones

Para acceder a la aplicación web del cargador, su información y sus ajustes, el dispositivo final y el cargador deben estar conectados a la red doméstica (a través de una conexión wifi o PLC). La conexión a Internet de la red doméstica le permite utilizar todas las funciones de la aplicación web.

Si no hay una red doméstica disponible en el lugar de uso, puede utilizar su dispositivo final (PC, tableta o teléfono inteligente) para iniciar sesión directamente en el cargador a través de su punto de acceso wifi. Sin embargo, de esta forma no se establecerá una conexión a Internet, y solo podrá utilizar las funciones locales.

### **i** Información

Cuando el dispositivo final está en una red doméstica, ya no puede acceder a la aplicación web a través de la dirección IP del punto de acceso (192.168.0.1), pero en vez de eso solo a través de la dirección IP generada automáticamente o el nombre de host del cargador.

- Entradas existentes de dirección IP:
  - Web Application: **Servicio** ▶ **Información del dispositivo**
  - Cargador: **Configuración** ⚙ ▶ **Redes** ▶ **Información de la red**
- Entradas existentes de nombre del servidor:
  - Carta que contiene datos de acceso
  - Web Application: **Servicio** ▶ **Información del dispositivo**

### **i** Información

Si el sistema cambia del modo de punto de acceso a una conexión a red wifi una y otra vez durante el proceso de configuración, deberá iniciar sesión de nuevo.

Es posible cambiar a la red doméstica con Powerline Communication sin reiniciar si hay una conexión existente a un punto de acceso.

### Información

En la aplicación web, la conexión al punto de acceso solo debe desactivarse si es posible establecer una conexión a una red doméstica.

- ▶ Seleccione la conexión de red que desea (punto de acceso, wifi, comunicación mediante línea de potencia).

### Punto de acceso

Su dispositivo final puede conectarse directamente al cargador por medio de su punto de acceso wifi integrado.

1. Seleccione la función **Configurar hotspot**.
  2. En los ajustes, ingrese el nombre de la red y el código de seguridad del punto de acceso.
- ▶ Para conocer cómo establecer una conexión a un punto de acceso, visite ▶ Consulte el capítulo "Abrir la aplicación web" en la página 116..

### Wifi

### Información

Si el cargador ya está conectado al dispositivo final a través de un punto de acceso, no podrá establecerse una conexión a la red wifi en simultáneo. Primero deberá desactivar el punto de acceso.

1. Active el wifi.
2. Seleccione la opción **Conectar con la red**.
3. Seleccione la red correspondiente de la lista e ingrese el **Clave de seguridad**. **Otra red**: Seleccione cuándo la red debe ocultarse.

4. Seleccione la opción que asigna la dirección IP de forma automática (recomendada).
  - ➔ La dirección IP aparece apenas se establece la conexión a la red.  
En la lista, el estado de la red se muestra como **Conectada**.

### Gestión de redes wifi

Opción	Explicación
<b>Otra red</b>	▶ Seleccione cuándo la red debe ocultarse.
<b>Gestionar redes conocidas</b>	▶ Seleccione <b>Eliminar</b> para eliminar las redes guardadas. De esta forma, el cargador siempre estará en la red apropiada.

### Desconexión de la red

1. Seleccione la red a la que está conectado.
2. Seleccione **Desconectar** para desconectarse de la red wifi.

### Configuración de la conexión de red

1. Seleccione la red a la que está conectado.
2. Seleccione **Configurar** para cambiar los ajustes de la dirección IPv4 y del servidor DNS.

### Información

Se utiliza una banda de frecuencia de 2,4 GHz para la conexión de red. Si surgen problemas de conexión, desactive la banda de frecuencia de 5 GHz del enrutador de la red.

### Comunicación mediante línea de potencia

Como alternativa al wifi, puede conectar su cargador a la red doméstica a través de una conexión PLC. La red eléctrica existente se utiliza para establecer una red local a fin de transferir datos. El cargador está registrado como cliente en una red PLC.

Para establecer una conexión, el cargador y el módem PLC pueden conectarse entre sí por medio del botón de emparejamiento. En este caso, el cargador y el módem PLC se emparejan de forma automática. Otra forma de establecer una conexión implica ingresar el código de seguridad del cargador en el módem PLC.

1. Active la **comunicación mediante línea de potencia (PLC)**.
2. Cómo agregar el cargador a la red PLC:
  - **Opción 1:** Con el botón de emparejamiento:
    - a. En la aplicación web, seleccione la opción **Establecer una conexión mediante el método Push de PLC**. Seleccione **b. Iniciar emparejamiento**.
    - c. Presione el botón de emparejamiento del módem PLC en un lapso de 2 minutos para iniciar la conexión.
    - d. Seleccione el botón **Conectar** para confirmar el emparejamiento.
  - **Opción 2:** Ingresando el código de seguridad de PLC:

a. Seleccione la opción **Conectar mediante la clave de seguridad de PLC**. Aparecerá el código de seguridad.

b. Ingrese el código de seguridad en los ajustes del módem PLC.

- ➔ El cargador se integra en la red PLC y se establece una conexión.

### Conexión PLC al vehículo

Esta función solo está visible para el usuario de **Atención al cliente** y solo este la puede configurar. Cuando se desactiva la conexión PLC, se detiene la transferencia de datos hacia el vehículo a través del cable. Este estado es necesario durante ciertas mediciones, por ejemplo.

Con la transferencia de datos, la carga basada en el protocolo de carga se habilita por defecto (comunicación de alto nivel).

Sin la transferencia de datos, el proceso de carga se basa en valores clave eléctricos (modulación por ancho de pulsos).

### Cómo añadir un administrador de energía

Para garantizar que el administrador de energía asuma el control de la carga, el cargador (dispositivo EEBus) y el administrador de energía primero deben estar conectados entre sí. La conexión debe establecerse tanto en la aplicación web del administrador de energía como en la del cargador (o directamente en el cargador si así lo desea).

#### Conexión al cargador desde el administrador de energía

► La conexión al cargador se describe en la sección "Agregar un dispositivo EEBus" en las instrucciones de la aplicación web de Porsche Home Energy Manager.

#### Conexión al administrador de energía desde el cargador

- ✓ El cargador y el administrador de energía están en la misma red.
1. Diríjase a **Conexiones** ► **Gestor de energía** en la aplicación web del cargador.
    - ➔ El administrador de energía se muestra en la lista **Gestores de energía disponibles**.
  2. Seleccione el administrador de energía y expanda la sección.
  3. Seleccione **Acoplar dispositivo**.
    - ➔ Se verifica la conexión.
  4. En el cuadro de diálogo de conexión **Conectar**, vuelva a verificar la identidad del administrador de energía con el número de identificación (SKI) y seleccione la opción **Conectar**.
    - ➔ El administrador de energía se conectó con éxito y se muestra el estado **Gestor de energía conectado**.

Los ajustes del administrador de energía (por ejemplo, corriente de carga, protección contra sobrecargas, carga optimizada y los ajustes arancelarios) se aplican al cargador.

#### Desconexión del administrador de energía:

1. Diríjase a **Conexiones** ► **Gestor de energía** en la aplicación web del cargador.
  - ➔ El administrador de energía conectado se muestra con el estado **Gestor de energía conectado**.
2. Seleccione **Desconectar**.
  - ➔ La conexión entre el administrador de energía y el cargador está desconectada.

### Vinculación de cuentas de usuario

#### Información

Para transferir datos a su cuenta Porsche ID, el dispositivo debe estar conectado a Internet.

También puede consultar la información sobre las sesiones de carga en su cuenta Porsche ID. Para ello, sin embargo, el cargador debe estar vinculado a un Porsche ID.

1. Seleccione el botón **Vincular perfil de usuario**.
  - ➔ El cuadro de diálogo **Vincular perfil de usuario** se abrirá.
2. Según la disponibilidad de una conexión a Internet, seleccione la siguiente opción (consulte "Opciones de conexión a Internet").
3. En el sitio web de la cuenta Porsche ID, ingrese los datos de inicio de sesión (Porsche ID y contraseña).

#### Opciones de conexión a Internet

Opción	Explicación
<b>Mi Porsche</b>	<ul style="list-style-type: none"> <li>✓ Aplicación web con conexión a Internet.</li> <li>► Se lo redirigirá directamente a su cuenta Porsche ID.</li> </ul>
<b>Más opciones</b>	<ul style="list-style-type: none"> <li>✓ Aplicación web sin conexión a Internet.</li> <li>► Si utiliza un dispositivo móvil final con conexión a Internet, puede escanear el código QR</li> </ul>

Opción	Explicación
	que se muestra o ingresar la URL de forma manual en el navegador.

## Configuración

### Sistema

#### Modo de demostración

Esta configuración solo es visible para el usuario del servicio al cliente. En el modo de demostración, las funciones del cargador se pueden mostrar fácilmente y una sesión de carga simulada. No se aplican los ajustes realizados en modo demo.

✓ **Usuario del servicio al cliente** está conectado.

▶ Active la función.

Con el nuevo inicio de sesión en la aplicación web, el modo demo se desactiva nuevamente.

#### Cambiar contraseña

Cambia la contraseña de inicio de sesión para la aplicación web. La contraseña inicial del documento que contiene los datos de acceso se sobrescribe con la contraseña recién seleccionada.

▶ Seleccione **Cambiar** e ingrese la nueva contraseña.

#### Establecer PIN

Una solicitud de PIN sirve para proteger su cargador y evita la conexión no autorizada de un vehículo a su cargador.

1. Active la función.
2. Introduzca un PIN de 4 dígitos y confirme.

3. Ingrese el PIN nuevamente y confírmelo.
  - ➔ Se confirma la activación del indicador del PIN.

Ingrese a este PIN para desbloquear el cargador.

#### Activando el PIN de invitado

Además, se puede crear un PIN de invitado para otro usuario.

- ▶ El procedimiento es el mismo que para asignar un PIN para la protección del dispositivo.

#### Información

El cargador no puede ser configurado por el usuario invitado.

#### Regulación del consumo de energía

Active el modo de reposo para ahorrar electricidad. El modo de reposo se inicia tan pronto como se completa el proceso de carga.

- ▶ Activar la función **Modo de suspensión**.

El dispositivo necesita tiempo para salir del modo de reposo y restaurar la disponibilidad operativa.

#### Información

Después de un período prolongado de inactividad, el cargador cambia automáticamente al modo de espera. En un primer paso, se reduce el brillo de la pantalla del dispositivo; Luego, la pantalla del dispositivo se apaga. Presione el botón de Encendido para reiniciar.

#### Especificación del idioma y el país

Campo	Explicación
Idioma	Selección del idioma de la aplicación web.
País	El país de uso. Los ajustes de configuración son específicos de cada país. Si la especificación se desvía del lugar de uso real, es posible que algunas configuraciones no estén disponibles.

#### Especificando la fecha y la hora

Campo	Explicación
Fecha y hora	La fecha y la hora se aplican de forma automática si está conectado a una red. <b>Zona horaria:</b> Pueden seleccionarse de forma manual. <b>Fijar hora:</b> Si la hora de la red no está disponible como referencia, especifique una hora,

### Unidades

Seleccione los parámetros y las unidades que se utilizarán para el dispositivo.

#### Pantalla del dispositivo

Esta configuración determina el brillo de la pantalla del cargador.

### Carga

#### Estado de la red eléctrica

Esta configuración solo es visible para el usuario del **servicio al cliente**. El dispositivo detecta automáticamente la información sobre el estado de la red eléctrica que se presenta aquí.

Pantalla	Explicación
<b>Fases de la red eléctrica</b>	Cantidad de fases del cable de alimentación.
<b>Tipo de cable</b>	Tipo de cable de carga del vehículo. El tipo de cable proporciona información importante para la configuración de corriente de carga máxima.
<b>Servicio limitado</b>	El número indica que la potencia de carga del sensor se ve afectada a través del sobrecalentamiento: <ul style="list-style-type: none"> <li>- 0: Temperatura alta del microcontrolador</li> <li>- 1: Temperatura alta del relé</li> </ul>

Pantalla	Explicación
	<ul style="list-style-type: none"> <li>- 2: Temperatura interna alta</li> <li>- 3: Alta temperatura del sensor de cable de infraestructura 1</li> <li>- 4: Alta temperatura del sensor de cable de infraestructura 2</li> </ul>

#### Supervisión de conexión a tierra

**PELIGRO**

 Descarga eléctrica, cortocircuito, incendio, explosión

El uso del cargador sin supervisión de conexión a tierra puede causar descargas eléctricas, cortocircuitos, incendios, explosiones o quemaduras.

- ▶ El cargador debe operarse preferiblemente en redes eléctricas con conexión a tierra.
- ▶ Desactive la supervisión de conexión a tierra solo en redes eléctricas sin conexión a tierra.
- ▶ Active la supervisión de conexión a tierra solo en redes eléctricas con conexión a tierra.

Para activar y desactivar el monitoreo en tierra> Consulte el capítulo "Desactivar y activar la supervisión de conexión a tierra" en la página 115.

#### Ajustar la corriente de carga

El fusible se puede activar, si la corriente de carga al vehículo es demasiado alta, lo que hace que la fuente de alimentación falle en el área de suministro del fusible.

Si un administrador de energía está conectado al cargador, la protección contra sobrecargas proporciona el monitoreo de la corriente de carga al cargador. Si no hay ningún administrador de energía disponible en la red doméstica, debe estipular una corriente máxima para el cargador.

La corriente de carga especificada aquí puede no exceder el valor máximo de la corriente de carga con la que se puede cargar la instalación eléctrica.

Se debe observar lo siguiente al especificar la corriente máxima de carga:

- Tipo de cable conectado al cargador.
- Otras cargas conectadas a este cable o fusible

Información sobre los cables de suministro y el uso específico de su país. Consulte el capítulo "Selección del cable de alimentación" en la página 103..

#### Información

La potencia de carga nunca debe establecerse más alta que la potencia máxima disponible en el circuito eléctrico.

Si no está seguro de esto, comuníquese con un electricista cualificado.

#### Información

Si hay una conexión con el administrador de energía, el valor estipulado aquí se sobrescribe con la configuración del administrador de energía.

- ✓ El cable del vehículo está conectado al cargador.
- ▶ En la aplicación web, use el controlador para establecer un mínimo y un máximo para la corriente de carga.

## Mantenimiento

### Visualización de la información sobre el dispositivo

Esta información pertenece al dispositivo, p. ej., número de versión, número de serie y nombre de host.

En el caso de un mensaje de error, estos datos son requeridos por el socio de servicio de Porsche.

### Mostrando la información total de tiempo de ejecución

Pantalla	Explicación
<b>Consumo total de energía</b>	Muestra el consumo total de energía de este cargador para todos los procesos de carga anteriores.
<b>Tiempo total de carga</b>	Muestra el tiempo total de carga de este cargador para todos los procesos de carga anteriores.

### Mostrando el registro de eventos

Esta configuración solo es visible para el usuario del **servicio al cliente**. La información del registro de eventos que se muestra se refiere a los mensajes de error que surgen durante la prueba del sistema. Se muestran registros de eventos activos y pasivos. A diferencia de los eventos pasivos, los eventos activos y las fallas todavía están en curso.

- ▶ Seleccione el protocolo correspondiente para mostrar los mensajes de error y los resultados de la prueba del sistema.

## Instalación de actualizaciones de software

Por defecto el cargador comprueba las actualizaciones de software y las descarga. Esta configuración estipula si las actualizaciones de software deben instalarse automáticamente o manualmente. **Versión del software:** Muestra la versión del software que se instala recientemente.

### Información

Para buscar y descargar actualizaciones de software, el dispositivo debe tener una conexión a Internet.

### Realizar de forma automática

Con esta función activada, el cargador instala la actualización del software automáticamente.

- ▶ Seleccione la función **Actualizaciones de software automáticas**.

### Realizar de forma manual

Aparece un mensaje en el estado del dispositivo de la descripción general cuando hay una nueva versión de software disponible.

- ✓ La función **Actualizaciones de software automáticas** se desactiva.
- ▶ Seleccione el botón **Ejecutar actualización de software** para iniciar la instalación.

### Guardar los ajustes

Los ajustes de configuración y los datos ya recolectados se pueden guardar con la ayuda de una copia de seguridad. De ser necesario (por ejemplo, después de restablecer a configuración de fábrica), esta configuración se puede restaurar desde la copia de seguridad. Las copias de seguridad se crean manualmente en la aplicación web.

En la copia de seguridad no se guardan datos personales como el historial de carga o contraseñas.

## Creando una copia de seguridad

Para la copia de seguridad manual, los datos se guardan en su dispositivo final.

- ✓ El dispositivo final y el cargador están en la misma red.

1. Seleccione **Exportar**.
2. Acceda a la ubicación de la memoria.
3. Guardar archivo de respaldo.

**Asignar contraseña:** Ingrese la contraseña.

La contraseña protege sus datos y se debe ingresar al importar o al restaurar la copia de seguridad.

### Restablecer copia de seguridad:

Un archivo de copia de seguridad guardado se puede importar desde el dispositivo final al cargador.

- ✓ El dispositivo final y el cargador están en la misma red.

1. Seleccione el botón **Importar**.
2. Navegue hasta el archivo de copia de seguridad y seleccione esto.
3. Ingrese la contraseña que se usó para guardarlo.

## Restablecimiento de la configuración de fábrica

Al activar esta función, se eliminan todos los datos personales y las configuraciones, tales como el historial de carga y la configuración de la red. Además, todas las contraseñas se restablecerán a las contraseñas iniciales que aparecen en la carta que contiene los datos de acceso.

- ▶ Activar la función **Restablecer ajustes de fábrica**.



Para crear la copia de seguridad Consulte el capítulo "Mantenimiento" en la página 122.

### **i** Información

Si la configuración se restablece al estado de fábrica, el asistente de configuración proporcionará soporte con la configuración más importante para el dispositivo la próxima vez que se inicie.

## Muelle de carga

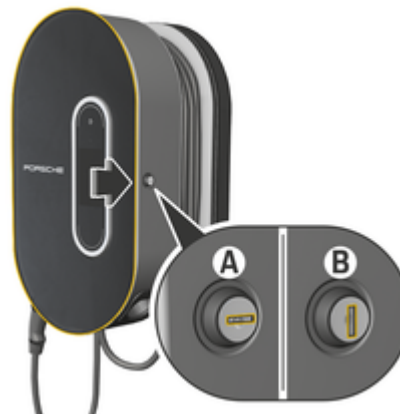


Fig. 50: Muelle de carga

### Apertura del muelle de carga

- ▶ Presione la puerta del muelle de carga en **Dirección de flecha**. La puerta se abre automáticamente.

### Cerrando el muelle de carga

- ▶ Cierre la puerta del muelle de carga y presione en el **Dirección de la flecha**.

### Bloqueo del muelle de carga

- ▶ Gire el bloqueo a la posición **A** (Fig. 50).

### Desbloqueo del muelle de carga

- ▶ Presione el bloqueo a la posición **B** (Fig. 50).

## Insertando la unidad de control en el muelle de carga y extracción del muelle de carga

### AVISO

Daño en el cargador

- ▶ Siempre mantenga la puerta cerrada.
- ▶ No coloque objetos en la puerta o en el muelle de carga.

## Insertando la unidad de control en el muelle de carga

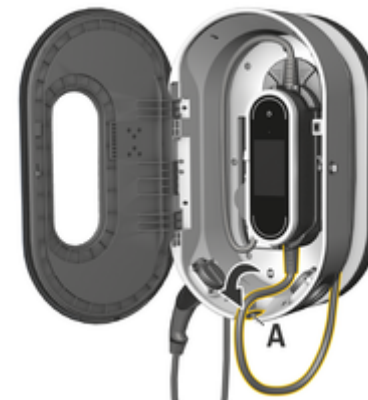


Fig. 51: Insertando la unidad de control

1. Abra la puerta del muelle de carga.
2. Coloque la parte inferior de la unidad de control en el accesorio de bloqueo del muelle de carga y actívelo empujando hacia la parte trasera.

## Funcionamiento

3. Guiar el cable del vehículo a través de la abertura **A** (Fig. 51) y envolver cualquier exceso de cable alrededor del muelle de carga.
4. Inserte el cable de suministro en el tomacorriente.
5. Cierre la puerta del muelle de carga.

### Extracción de la unidad de control del muelle de carga

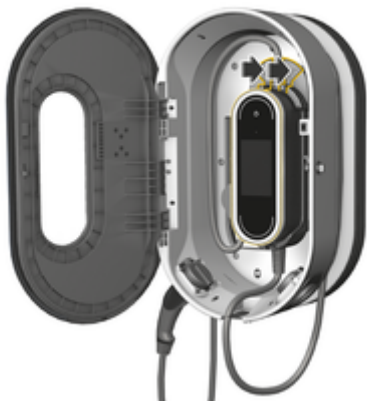
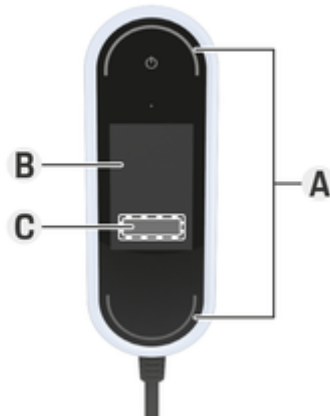


Fig. 52: Insertando la unidad de control

1. Abra la puerta del muelle de carga.
2. Desconecte el cable de suministro de la toma eléctrica.
3. Desenrolle el cable del vehículo completamente desde el muelle de carga.
4. Separe la unidad de control del soporte pulsando el interruptor de liberación (flecha) y quitar.

## Mal funcionamiento



- A** Los LED de estado se iluminan en rojo
- B** Mensaje de error y causa
- C** Solución

En caso de fallas o fallos en el funcionamiento, el cargador muestra un mensaje correspondiente en la pantalla. Los LED de estado y el botón de encendido se iluminan en rojo. El mensaje contiene el mensaje de error, información sobre la causa y una medida correctiva.

- ▶ Siga las instrucciones dadas en la medida correctiva.

**AVISO**



Daño en el cargador

- ▶ Si una falla persiste o se repite, desconecte el cargador de la red eléctrica y comuníquese con un electricista calificado. Porsche le recomienda que contacte a un socio de servicio Porsche certificado.

La siguiente descripción general contiene recomendaciones para tratar con mal funcionamiento que restringen o impide que el vehículo se cargue.

Fig. 53: Pantalla de mal funcionamiento

Situación	Acción recomendada
La pantalla (pantalla, los LED de estado, el botón de encendido) ha dejado de funcionar completamente.	<ul style="list-style-type: none"> <li>▶ Desconecte el cargador de la red eléctrica y que lo reemplacen</li> <li>▶ Solicite a un electricista calificado que revise la instalación doméstica.</li> </ul>
La pantalla está en blanco, los LED de estado no cambian de color y el botón de encendido se ilumina en rojo.	<ul style="list-style-type: none"> <li>▶ El cargador está sobrecalentado. Desconecte el cargador de la red eléctrica y deje que se enfríe lentamente por sí mismo.</li> <li>▶ Si el error persiste, haga que el cargador sea reemplazado.</li> </ul>

Situación	Acción recomendada
Operación restringida o carga no es posible (mensaje en pantalla).	<ul style="list-style-type: none"><li>▶ Asegúrese de que los cables de suministro y vehículo estén conectados a la unidad de control en el lado correcto y se conecten correctamente a las conexiones.</li><li>▶ Asegúrese de que el cargador esté dentro del rango de temperatura permitido.<ul style="list-style-type: none"><li>▷ Consulte el capítulo "Datos técnicos" en la página 131.</li></ul></li><li>▶ Reconozca cualquier mensaje de error que aparezca.</li><li>▶ Iniciar el cargador de nuevo. Presione el botón de encendido durante al menos 10 segundos para volver a iniciar el cargador.</li></ul>
La corriente de carga es demasiado baja (mensaje en pantalla).	<ul style="list-style-type: none"><li>▶ La red doméstica está sobrecargada. Apague otras cargas eléctricas de alto uso.</li></ul>
La tensión de red es demasiado alta (mensaje en pantalla).	<ul style="list-style-type: none"><li>▶ Solicite a un electricista calificado que revise la instalación doméstica.</li></ul>
El cargador no está dentro del rango de temperatura permitido (mensaje en pantalla).	<ul style="list-style-type: none"><li>▶ Apagado por temperatura del dispositivo: Evite la luz solar directa y deje que el cargador se enfríe lentamente por sí mismo.</li><li>▶ Apagado por baja temperatura: Deje que el cargador se caliente en un ambiente cálido antes de usarlo.</li><li>▶ Sensor de temperatura del dispositivo defectuoso: Haga reemplazar el cargador.</li></ul>
El interruptor de circuito en la instalación doméstica se activó (mensaje en pantalla).	<ul style="list-style-type: none"><li>▶ Reduzca la corriente de carga en la configuración del cargador.</li><li>▶ Reconozca cualquier mensaje de error que aparezca.</li></ul>
Se muestra una interrupción de carga: <ul style="list-style-type: none"><li>▶  El botón de encendido se ilumina en blanco.</li><li>▶  Los LED de estado parpadean en color azul.</li><li>▶ La pantalla se enciende.</li></ul>	<ul style="list-style-type: none"><li>▶ Espere hasta que el vehículo reanude nuevamente la carga automáticamente.</li><li>▶ El proceso de carga se puede detener en el vehículo.</li></ul>

**Instrucciones de traslado y almacenamiento.**

No levante, lleve o mueva el cargador por el cable de suministro, el cable del vehículo, el enchufe de alimentación o enchufe del vehículo.

Siempre levante, lleve y mueva todo el dispositivo. No dañe la unidad de control, los cables o los enchufes cuando se mueven, p. ej. arrastrándolos sobre el piso o bordes afilados.

Almacenamiento adecuado: Almacene en un lugar fresco y seco lejos de la luz solar directa, no inferior a  $-22^{\circ}\text{F}$  ( $-30^{\circ}\text{C}$ ) o superior a  $+122^{\circ}\text{F}$  ( $+50^{\circ}\text{C}$ ).

### Transporte

#### ADVERTENCIA

Carga no asegurada

Un cargador no asegurado, mal asegurado o ubicado incorrectamente se puede salir de su lugar y poner en peligro a los ocupantes al frenar, acelerar o cambiar de dirección, o en caso de accidente.

- ▶ Nunca transporte el cargador de forma insegura.
- ▶ Siempre transporte el cargador en el compartimiento para equipaje, nunca en el compartimiento del pasajero (p. ej., dentro de los asientos o frente a estos).

#### Transporte, asegurando el cargador

El cargador se suministra con o sin un estuche de transporte, dependiendo del tipo de vehículo.

- ▶ Si se suministra un estuche de transporte: De esta forma, el cargador siempre estará en la red apropiada. Fije la bolsa con el gancho a través de los puntos de amarre frontal y posterior.  
Para obtener información sobre los anillos de atadura en el maletero:
  - ▷ Consulte el Manual del propietario.
- ▶ Si no se suministra un estuche de transporte: Guarde el cargador en el maletero trasero mientras la transporta.
- ▶ Dependiendo del tipo de vehículo, guarde el cargador de tal manera que no ponga en peligro a sus ocupantes en situaciones peligrosas.

## Limpieza y mantenimiento

Compruebe el cargador por daños y suciedad a intervalos regulares y limpie si es necesario.



**PELIGRO**

Descarga eléctrica, incendio

Riesgo de lesiones graves o fatales debido a incendio o descarga eléctrica.

- ▶ Nunca sumerja en agua el cargador o los enchufes, ni los rocíe directamente con agua (p. ej., Equipo de limpieza de alta presión o mangueras de jardín).
  - ▶ Limpie el cargador solamente cuando la unidad de control se haya desconectado completamente de la red eléctrica y del vehículo. Para limpiar, utilice un paño seco.
-

### Eliminación

Los dispositivos eléctricos / electrónicos deben entregarse en un punto de recolección o instalación de gestión de residuos.

- ▶ No arroje dispositivos eléctricos / electrónicos con desechos domésticos.
- ▶ Deseche los dispositivos eléctricos / electrónicos de acuerdo con las regulaciones de protección ambiental aplicables.
- ▶ Si tiene dudas sobre los desechos, póngase en contacto con un concesionario Porsche autorizado.



## Datos técnicos

Datos de electricidad sobre el 9Y0.971.675...	BL MCC96U1 A <sup>1)</sup>
Potencia	9,6 kW
Corriente nominal	40 A
Voltaje nominal	120/208-240 V ~, 120 V a tierra
Fases	1
Frecuencia de suministro de energía	50 Hz/60 Hz
Categoría de sobretensión (IEC 60664)	II
Dispositivo de corriente residual integrado	Tipo A (CA: 20 mA) + CC: 56 mA
Clase de protección	I
Grado de protección	IP55 (EE. UU.: Gabinete 3R)
Bandas de frecuencia de transmisión	2,4 GHz; 5 GHz
Potencia de transmisión	20 dBm
<b>Solo para Colombia</b>	
Velocidad de carga	≤ 100 %
Factor de potencia	1
Contenido armónico	0,5 %

## Datos técnicos

Datos mecánicos sobre el 9Y0.971.675...	BL MCC96U1 A <sup>1)</sup>
Peso de la unidad de control	2,54 kg
Longitud del cable del vehículo	2,5 m o 7,5 m
Longitud del cable de alimentación	0,3 m

<sup>1)</sup> La A representa los próximos cambios de diseño y puede ser cualquier letra.

Datos mecánicos sobre el soporte de pared básico 9Y0.971.675...	BL MCC96U1 A <sup>1)</sup>
Dimensiones del soporte de pared básico	385 x 135 x 65 mm (largo x ancho x alto)
Peso del soporte de pared básico	aprox. 0,45 kg
Dimensiones de la guía del cable	127 x 115 x 139 mm (largo x ancho x alto)
Peso de la guía del cable	aprox. 0,42 kg
Dimensiones del soporte del enchufe	136 x 50 x 173 mm (largo x ancho x alto)
Peso del soporte del enchufe	aprox. 0,14 kg
Peso del soporte de pared básico completo	aprox. 1 kg

Datos mecánicos sobre el soporte de carga 9Y0.971.675...	BL MCC96U1 A <sup>1)</sup>
Dimensiones del soporte de carga	373 x 642 x 232 mm (ancho x alto x profundidad)
Peso del soporte de carga	aprox. 9,7 kg

<b>Condiciones del entorno y de almacenamiento 9Y0.971.675...</b>	<b>BL</b> <b>MCC96U1 A<sup>1)</sup></b>
Temperatura ambiental	-30 °C a 50 °C
Humedad	de 5 % a 95 % sin condensación
Altitud	máx. 5000 m sobre el nivel del mar

<sup>1)</sup> La A representa los próximos cambios de diseño y puede ser cualquier letra.

- I** Fecha de fabricación
- J** Número de serie
- K** Tipo de designación

### Declaración de conformidad

El cargador cuenta con un sistema de radio. El fabricante de este sistema de radio declara que cumple con las especificaciones para su uso conforme a la Directiva 2014/53/EU.

El texto completo de la Declaración de conformidad de la UE está disponible en la siguiente dirección de Internet:

▷ <http://www.porsche.com/international/accessoriesandservice/porscheservice/vehicleinformation/documents>

### Argentina



**IC-CPD: Identificación CNC: C-24292**

### Placa de identificación

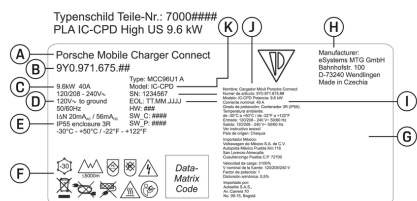


Fig. 54: Placa de identificación (ejemplo)

- A** Nombre del producto
- B** Número de artículo
- C** Potencia y corriente nominal
- D** Voltaje nominal
- E** Grado de protección
- F** Íconos de funcionamiento
- G** Información de certificación
- H** Fabricante

### Información de fabricación

#### Fecha de fabricación

La fecha de fabricación del cargador se encuentra en la placa de identificación detrás de la abreviatura "EOL".

Tiene el siguiente formato: Día de producción. Mes de producción. Año de producción.

#### Fabricante del cargador

eSystems MTG GmbH  
Bahnhofstrasse 100  
73240 Wendlingen  
Alemania

#### Pruebas eléctricas

Si tiene alguna pregunta sobre las pruebas eléctricas frecuentes de la infraestructura de carga (p. ej., VDE 0702), consulte <https://www.porsche.com/international/accessoriesandservice/porscheservice/vehicleinformation/documents/> o comuníquese con un distribuidor autorizado de Porsche.

### Importadores

#### Columbia

Autoelite S.A.S  
Av. Carrera 70t  
No. 99-15, Bogotá

## Datos técnicos

### México

Volkswagen de México S.A. de C.V. Domicilio en  
AUTOPISTA MÉXICO PUEBLA. KM 116 LOCALI-  
DAD

SAN LORENZO ALMECATLA

CUAUTLANCINGO, PUEBLA, 72700

Teléfono: +52 222 230 9971

---

Índice alfabético

**A**

Actualización de software..... 109

Administrador de energía

    Añadir..... 119

    Emparejando..... 119

Administrador de potencia..... 110

    Ajustar la corriente de carga..... 110

Ajuste la corriente de carga..... 110

Alcance del suministro..... 97

Aplicación web

    Abrir..... 115

    Cambiar contraseña..... 98

    Contraseña inicial..... 98

    Pérdida de contraseña..... 98

    Puesta en marcha..... 111

    Punto de conexión..... 115

    Wi-Fi..... 116

Asegurando durante el transporte..... 128

Asistente de configuración..... 111

Aviso de protección de datos..... 93

**C**

Cable de alimentación..... 103

    Enchufe doméstico..... 105

    Enchufe industrial..... 105

Cable de carga

    Tipos de cables y enchufes..... 103

Cable de carga para vehículos

    Tipos de cables y enchufes..... 103

Cables

    Asegurar..... 108

    Desconectando..... 108

Caja de herramientas..... 102

Cambio de cables de alimentación y cables del vehículo..... 107

Carga

    Finalizando..... 114

    Inicio..... 113

    Pausa..... 114

Cargador

    Conectar..... 116

    Contraseña inicial..... 97

    Estado de la carga..... 111

    Estado del dispositivo..... 111

    Pictogramas..... 93

    Potencia de carga..... 111

Cómo establecer conexiones de red

    Comunicación mediante línea de potencia (PLC)

        Comunicación..... 118

        Punto de acceso..... 118

        Wifi..... 118

    Condiciones del entorno y de almacenamiento..... 131

    Conexión eléctrica permanente..... 131

Conexiones

    Administrador de potencia..... 110

    Botón de emparejamiento PLC..... 109

    Clave de seguridad PLC..... 109

    Punto de conexión..... 110

    Wi-Fi..... 109

    Configuración de la dirección IPv4..... 117

    Configuración del servidor DNS..... 118

    Configure el indicador del PIN..... 110

    Consumo total de energía

        Sesión de carga actual..... 111

**D**

Datos de acceso..... 97

    Aplicación web..... 98

    Número de serie del cargador..... 98

Datos de acceso perdidos..... 97

Datos técnicos

    Datos eléctricos..... 131

    Datos mecánicos..... 131

    Datos mecánicos Base del soporte de pared..... 131

    Datos mecánicos Soporte de carga..... 131

Declaración de conformidad..... 133

Dirección IP..... 117

Diríjase a las instrucciones operativas

    Aviso de protección de datos..... 93

    Más información..... 94

**E**

Eliminación..... 130

Enlace Porsche ID..... 110

Especificación de la cuenta..... 119

Estado de la carga..... 111

Estructura de avisos de advertencia..... 91

Exportar historial de carga..... 117

Extracción de la unidad de control del muelle de carga..... 123

**F**

Fabricante..... 133

Fecha de fabricación..... 133

**H**

Herramientas necesarias..... 102

**I**

ID de Porsche..... 98

Idioma y país..... 109

Importadores..... 133

Información de fabricación..... 133

Iniciando sesión en el cargador..... 111

Insertando la unidad de control en el muelle de carga..... 123

Instalación del soporte de pared básico..... 102

Instalación del soporte del enchufe..... 102

Instrucciones de operación..... 112

Instrucciones de seguridad..... 94

## Índice alfabético

### L

Límite de corriente de carga.....	114
Limpieza.....	129

### M

Mal funcionamiento.....	125
Mantenimiento.....	129
Más información.....	94
Muelle de carga.....	123
Abrir.....	123
Bloquear.....	123
Desbloqueo.....	123

### N

Nombre de host.....	117
Número de artículo del cargador.....	131
Número de serie.....	133
Número de serie del cargador.....	98

### O

Opciones de operación.....	100
----------------------------	-----

### P

Pantalla	
Barra de estado.....	99
Barra de menú.....	100
Idioma y país.....	109
Navegación.....	100
Pictogramas.....	93
PIN y PUK	
Cambiar contraseña.....	98
Perdido.....	98
Placa de identificación.....	133
Potencia de carga	
Visualización.....	111
Proceso de carga	
Consumo de energía.....	117
Inspección.....	117
Proceso de carga consumo de energía.....	111

Protección del dispositivo.....	110
Puerto de carga del vehículo.....	113
Puesta en servicio.....	109
Punto de acceso	
Configuración.....	118
Punto de conexión.....	110

### R

Red doméstica.....	109
Dirección IP.....	117
Nombre de host.....	117
Red wifi	
Conectando.....	118
Desconectando.....	118
Gestionando.....	118
Red oculta.....	118

### S

Selección de la ubicación de la instalación.....	101
Seleccionar una red.....	109
Sesión de carga actual.....	111
Símbolos en este manual.....	91
Supervisión de conexión a tierra	
Activar.....	115
Desactivar.....	115

### T

Tiempos de carga.....	113
Toma de tierra.....	96
Transmisión de datos.....	109
Transporte, asegurando el cargador.....	128

### U

Unidad de control.....	99
Descripción general de las conexiones.....	98
Insertando en soporte de pared.....	103
Pantalla.....	99
Uso previsto.....	96

### V

Venta del cargador.....	98
Vinculación de cuentas de usuario.....	119
Vincular cuentas de usuario.....	110

# Sobre este Manual do proprietário

## Avisos e símbolos

São utilizados vários tipos de avisos e símbolos neste Manual do proprietário.



**PERIGO**

Ferimentos graves ou morte

O não cumprimento dos avisos presentes na categoria "Perigo" provocará ferimentos graves ou morte.



**AVISO**

Possíveis ferimentos graves ou morte

O não cumprimento dos avisos presentes na categoria "Aviso" pode resultar em ferimentos graves ou morte.



**ATENÇÃO**

Possíveis ferimentos moderados ou leves

O não cumprimento dos avisos na categoria "Atenção" pode resultar em ferimentos moderados ou leves.

**NOTA**

Possíveis danos ao veículo

O não cumprimento dos avisos na categoria "Nota" pode provocar danos ao veículo.



**Informações**

Informações adicionais são indicadas usando a palavra "Informação".

- ✓ Condições que devem ser atendidas para usar uma função.
- ▶ Instrução que você deve seguir.

1. Se uma instrução consistir em várias etapas, elas serão numeradas.

2. Instruções que você deve seguir no visor central.

▶ Observe onde você pode obter outras informações importantes sobre um tópico.

## Deutsch

### Para o Manual do proprietário

Chave para pictogramas.....	139
Aviso de proteção de dados.....	139
Mais informações.....	139

### Segurança

Instruções de segurança.....	140
Uso adequado.....	141

### Escopo do fornecimento

Dados de acesso.....	142
----------------------	-----

### Resumo

Conexões na unidade de comando.....	143
Unidade de comando do carregador.....	144
Painel de exibição telas e controles.....	144

### Selecionando o local de instalação..... 146 |

### Ferramentas necessárias..... 147 |

### Instalando

Instalando o suporte para parede.....	147
Instalação sem espaçador.....	148
Instalação com espaçador.....	149

### Configuração

Cabos de carga e de alimentação do veículo.....	150
Operação inicial e configuração.....	155
Inicialização com o aplicativo web.....	156
Fazendo login no carregador.....	157
Iniciando a configuração no carregador.....	157
Resumo.....	157

### Operando

Instruções de operação.....	158
Carregamento.....	158
Fazendo login no aplicativo web.....	161

Usar o aplicativo web.....	162
Base de carregamento.....	169

### Defeitos..... 170 |

### Transporte..... 172 |

### Limpeza e manutenção..... 173 |

### Descarte..... 174 |

### Dados técnicos

Placa de identificação.....	177
Informações de produção.....	177
Importadores.....	177

### Índice..... 179 |



## Para o Manual do proprietário Chave para pictogramas

Dependendo do país, vários pictogramas podem ser anexados ao carregador.



Opere o carregador dentro de uma faixa de temperatura de -30 °C a +50 °C.



Não opere o carregador em altitudes que ultrapassem 5.000 m acima do nível do mar.



O carregador é equipado com um condutor de proteção não chaveado.



O carregador é equipado com um condutor de proteção chaveado.



Descarte o carregador em conformidade com todas as regulamentações de descarte aplicáveis.



Não use cabos de extensão ou carretéis de cabo.



Não use adaptadores (de viagem).



Não utilize múltiplas tomadas.



Não use carregadores com eletrônica ou cabos de conexão danificados.



Risco de choque elétrico devido ao uso indevido.



Observe as instruções de operação fornecidas, principalmente os avisos e as instruções de segurança.



A superfície do carregador pode esquentar demais.



Não opere o carregador em sistemas de rede elétrica não aterrados (por exemplo, redes de TI). Opere o carregador somente em sistemas de rede elétrica aterrados.



Opere o carregador apenas em redes monofásicas.



O carregador requer uma fonte de alimentação CA.



Indica o conector tipo 1 com uma faixa de tensão ≤ 250 V CA.



Indica o conector tipo 2 com uma faixa de tensão ≤ 480 V CA.

### Aviso de proteção de dados

Para assegurar que o seu equipamento de carregamento Porsche está se comunicando corretamente e está sempre atualizado, a Porsche coleta e processa os seguintes dados específicos de dispositivo cripto-

grafados a partir do equipamento de carregamento em intervalos regulares: ID do dispositivo, marca, geração, tipo de dispositivo e versão do software.

Se você também gostaria de ter a opção de usar outros serviços Porsche Connect para o equipamento de carregamento, deve emparelhar o seu equipamento de carregamento à sua conta Porsche ID disponível junto ao distribuidor Porsche Connect em mercados selecionados. Enquanto usa os serviços Porsche Connect, a Porsche coleta e processa os seguintes detalhes pessoais e outros dados específicos do dispositivo para fornecer e prestar estes serviços: identificação do cliente, estatísticas, informações do processo de carregamento, status, status de conexão e registro de hora de quando a comunicação foi estabelecida pela última vez. Você encontrará mais informações sobre os termos gerais, as condições de negócios e a política de privacidade de dados em [www.porsche.com/connect-store](https://www.porsche.com/connect-store).

A transferência de dados regulares a partir do seu equipamento de carregamento pode incorrer em custos adicionais com seu provedor de serviço de Internet. Seus dados armazenados na Porsche podem ser permanentemente excluídos usando o My Porsche. Devido a restrições técnicas ou legais, alguns dos serviços Porsche Connect no equipamento de carregamento Porsche não estão disponíveis em todos os países.

### Mais informações

Você encontrará mais informações sobre o carregador e o aplicativo web na área "E-Performance" em <https://www.porsche.com>.

## Segurança

### Instruções de segurança

#### ⚠ PERIGO

Choque elétrico, curto-circuito, incêndio, explosão

O uso de um carregador danificado ou defeituoso e uma tomada elétrica danificada ou defeituosa, o uso indevido do carregador ou a falha ao seguir as instruções de segurança podem provocar curtos-circuitos, choques elétricos, explosões, incêndios ou queimaduras.

- ▶ Utilize apenas acessórios, por ex. fonte de alimentação e cabos de veículo, que foram aprovados e fornecidos pela Porsche.
- ▶ Não use um carregador danificado e/ou sujo. Verifique o cabo e a conexão do conector quanto a danos e sujeira antes do uso.
- ▶ Conecte o carregador somente a tomadas elétricas adequadamente instaladas e não danificadas e a instalações elétricas livres de defeitos.
- ▶ Não use cabos de extensão, rolos de cabo, soquetes múltiplos ou adaptadores (viagem).
- ▶ Desconecte o carregador da rede elétrica durante temporais.
- ▶ Não modifique ou repare nenhum dos componentes elétricos.
- ▶ Solicite que apenas especialistas corrijam falhas e realizem reparos.

#### ⚠ PERIGO

Choque elétrico, incêndio

Tomadas elétricas instaladas incorretamente podem causar choque elétrico ou incêndio quando a bateria de alta tensão é carregada usando a porta de carga do veículo.

- ▶ O teste da fonte de alimentação, a instalação e a operação inicial da tomada elétrica para o carregador devem ser realizados apenas por um electricista qualificado. Essa pessoa é totalmente responsável pela conformidade com as normas e regulamentações relevantes. A Porsche recomenda que você utilize uma Concessionária Porsche.
- ▶ A seção transversal do cabo da tomada elétrica deve ser definida de acordo com o comprimento do fio e as regulamentações e normas aplicáveis localmente.
- ▶ A tomada elétrica usada para carregamento deve ser conectada a um circuito elétrico com fusível separado, que esteja em conformidade com as leis e normas locais.
- ▶ O carregador foi desenvolvido para uso em áreas privadas e semipúblicas, por exemplo, propriedades privadas ou estacionamentos de empresas. Em alguns países, por exemplo, na Itália e Nova Zelândia, o carregamento de modo 2 é **proibido** em áreas públicas.
- ▶ Pessoas não autorizadas (por exemplo, crianças brincando) ou animais não devem ter acesso ao carregador e ao veículo durante o carregamento sem supervisão.
  - ▷ Sempre leia as instruções de segurança no manual de instalação e no Manual do proprietário.

#### ⚠ PERIGO

Choque elétrico, incêndio

O manuseio incorreto dos contatos do conector pode levar a choque elétrico ou incêndio.

- ▶ Não toque nos contatos da porta de carga do veículo e no carregador.
- ▶ Não insira objetos na porta de carga do veículo ou no carregador.
- ▶ Proteja as tomadas elétricas e as conexões do conector de umidade, água e outros líquidos.

#### ⚠ AVISO

Vapores inflamáveis ou explosivos

Os componentes do carregador podem causar faíscas e propagar vapores inflamáveis ou explosivos.

- ▶ Para reduzir o risco de explosão, especialmente em garagens, certifique-se de que a unidade de comando esteja localizada, pelo menos, 50 cm acima do piso durante o carregamento.
- ▶ Não instale o carregador em atmosferas potencialmente explosivas.

Apenas para a Indonésia



Dilarang melakukan perubahan spesifikasi yang dapat menimbulkan gangguan fisik dan/atau elektromagnetik terhadap lingkungan sekitar

Para cumprir os requisitos dos limites de exposição a radiação eletromagnética (1999/519/CE), instale o carregador de modo a proporcionar uma distância de pelo menos 20 cm de todas as pessoas.

Observe as seguintes instruções e recomendações para garantir o carregamento ininterrupto usando o carregador:

- Ao instalar uma nova tomada elétrica, selecione uma tomada elétrica industrial com a mais alta potência disponível possível (adaptada à instalação elétrica doméstica) e solicite que seja instalada por um eletricitista qualificado. A Porsche recomenda que você utilize uma Concessionária Porsche.
- Nos locais tecnicamente possíveis e permitidos por lei, a instalação elétrica deve ser dimensionada de tal maneira que a alimentação nominal máxima da tomada elétrica usada esteja disponível para o carregamento do veículo.
- Antes da instalação, verifique se a alimentação necessária para carregar um veículo pode ser fornecida continuamente com a instalação doméstica disponível no momento. Se necessário, proteja a instalação doméstica com um sistema de gerenciamento de energia.
- O carregador deverá ser preferencialmente operado em sistemas de rede elétrica aterrados. O condutor de proteção deve ser instalado adequadamente.
- Se você não tiver certeza sobre a instalação elétrica doméstica, entre em contato com um eletricitista qualificado. A Porsche recomenda que você utilize uma Concessionária Porsche.
- Se você pretende usar o carregador com um sistema fotovoltaico, entre em contato com uma Concessionária Porsche.

- Para utilizar inteiramente o desempenho do carregador e assegurar o carregamento rápido do veículo, use tomadas elétricas NEMA com a corrente nominal mais alta possível apropriada para o conector elétrico ou para as tomadas elétricas industriais em conformidade com a IEC 60309.
- Quando carregar a bateria de alta tensão através da tomada elétrica industrial/doméstica, a instalação elétrica poderá ser carregada em sua capacidade máxima. A Porsche recomenda que as instalações elétricas usadas para carregamento sejam regularmente verificadas por um eletricitista qualificado. Pergunte a um eletricitista qualificado quais são os intervalos de inspeção apropriados para a sua instalação. A Porsche recomenda que você utilize uma Concessionária Porsche.
- Na entrega, a corrente de carga é limitada automaticamente para prevenir superaquecimento da instalação elétrica. Solicite que um eletricitista qualificado coloque o carregador em operação e defina o limite de corrente de carregamento conforme necessário para a configuração doméstica.
  - ▷ Consulte o capítulo "Limitação da corrente de carregamento" na página 159.

## Uso adequado

Carregador com controle integrado e proteção para modo de carregamento 2, para carregar veículos com baterias de alta tensão que atendam às normas e diretivas de veículos elétricos gerais aplicáveis.

- ▶ Sempre utilize a versão adequada do dispositivo para a rede elétrica local.
  - ▷ Consulte o capítulo "Dados técnicos" na página 175.

O carregador pode ser usado apenas como uma unidade combinada que consiste em cabos de alimentação, unidade de comando e cabo do veículo.

Adequado para uso em ambientes externos.

## Escopo do fornecimento



Fig. 55: Escopo do fornecimento

- A** Cabo de alimentação (desconectável da unidade de comando)
- B** Conector elétrico para conexão com a alimentação de rede
- C** Unidade de comando
- D** Conector do veículo (conector para o veículo)
- E** Cabo do veículo (desconectável ou preso à unidade de comando, dependendo do país)
- F** Carta contendo dados de acesso

### **i** Informações

Componentes opcionais: Diversos suportes para parede estão disponíveis para o carregador, dependendo do país, por exemplo, o suporte básico para parede ou a base de carregamento.

## Dados de acesso

É fornecida com o seu dispositivo uma carta contendo os dados de acesso, que Web Application contém todos os dados necessários para o carregador e o aplicativo web.

- ▶ Guarde a carta que contém os dados de acesso em um local seguro.

### **i** Informações

Se você perder os dados de acesso que ficam válidos após a entrega de seu dispositivo, por exemplo o PIN predefinido e a senha inicial, entre em contato com sua Concessionária Porsche.

- Tenha pronto o número de série do carregador.
  - ▶ Consulte o capítulo "Número de série do carregador" na página 143.

A carta com os dados de acesso contém os seguintes dados:

Designação	Significado
Número de série	Número de série do carregador
WiFi MAC	Endereço MAC da interface WiFi
GRID MAC	Endereço MAC da interface PLC doméstica
MAC do veículo	Endereço MAC da interface PLC do veículo
WiFi SSID	<ul style="list-style-type: none"> <li>– SSID do ponto de acesso Wi-Fi</li> <li>– Nome de anfitrião</li> </ul>

Designação	Significado
WiFi PSK	Chave da rede
Senha de usuário doméstico	Senha inicial do usuário doméstico para o aplicativo web
Senha de Serviço ao cliente	Senha inicial de Serviço ao cliente para o aplicativo web.
PIN	Número de ID pessoal
PUK	Chave de destravamento pessoal

### **i** Informações

O **nome de anfitrião** consiste nos seguintes elementos:

Carregador+número de série (Exemplo: MobileChargerConnect-1234567)

### **i** Informações

O campo de segurança contém os códigos de acesso necessários (PIN e PUK). Esse campo contém uma tinta especial que cobre esses códigos. Somente depois de umedecer esse campo em água corrente, a tinta desbota, tornando o códigos visíveis.

Não esfregue ou arranhe o campo ao umedecê-lo, uma vez que os códigos também podem ser danificados.

## PIN e PUK

PIN e PUK são usados para destravar o carregador.

- ▶ Se perder ou esquecer um PIN que você mesmo definiu, destrave o carregador inserindo o PUK e defina um novo PIN.
- ▶ Se você perder ou esquecer o PUK, entre em contato com a sua Concessionária Porsche.

## Senha do aplicativo web

A senha é usada para efetuar login no Web Application.

Ao utilizar a senha inicial:

- ▶ Se você perder ou esquecer a senha inicial, entre em contato com a sua Concessionária Porsche.

Ao usar uma senha que você mesmo definiu:

- ▶ Ao perder ou esquecer uma senha que você mesmo definiu, restaure o carregador com os ajustes de fábrica e reative a senha inicial (**Ajustes** ⚙️ ▶ **Settings Ajustes de fábrica**).

## Número de série do carregador

O número de série do carregador pode ser encontrado nos seguintes locais:

- Na carta que contém os dados de acesso após a designação "Número de SérieNúmero de Série"
- Na plaqueta de identificação (na parte traseira da unidade de comando) após a abreviação "NSNS"
- No carregador: **Ajustes** ⚙️ ▶ **Manutenção** ▶ **Informações do dispositivo**
- No aplicativo web Web Application: **Ajustes** ▶ **Manutenção** ▶ **Informações**

## Porsche ID

Quando o carregador é emparelhado com seu Porsche ID, as informações sobre o carregador e os processos de carregamento podem ser exibidos em My Porsche e no Porsche Connect App.

Se você não pretender utilizar mais o carregador, por exemplo, ao vendê-lo:

1. Desative o carregador do seu Porsche ID (**Ajustes** ⚙️ ▶ **Perfis de usuário**).
2. Reinicie o carregador para os ajustes de fábrica (**Ajustes** ⚙️ ▶ **Ajustes de fábrica**).

## Resumo

### Conexões na unidade de comando



Fig. 56: Conexões na unidade de comando

- A** Cabos de alimentação
- B** Cabo do veículo

O cabo de alimentação **A** pode ser removido e introduzido na parte superior da unidade de comando.

O cabo do veículo **B** é removido e introduzido na parte inferior da unidade de comando.

## Unidade de comando do carregador

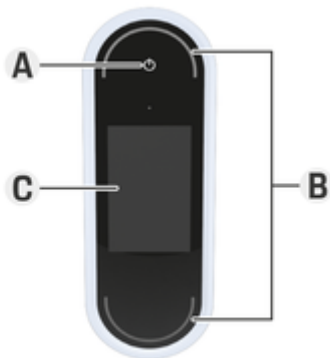


Fig. 57: Unidade de comando

- A** Botão de energia ☹
- B** LEDs de status ○
- C** Visor

O carregador pode ser ligado e desligado utilizando o botão de energia **A** (Fig. 57).

Os LEDs de status **B** (Fig. 57) mostram o status do carregador.

A comunicação com o carregador é mostrada no visor **C** (Fig. 57) na forma de mensagens de erro e informações.

## Painel de exibição telas e controles

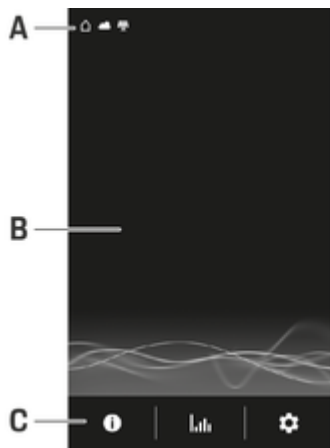


Fig. 58: Visor do carregador

- A** Barra de status
- B** Área de informações
- C** Barra de menus

Um sensor de claridade controla a luminosidade do visor. A luminosidade é adaptada automaticamente às condições de iluminação do ambiente.

### Barra de status

Diversos símbolos podem ser exibidos na barra de status.

O seguinte resumo mostra o significado dos símbolos na barra de status.

Símbolo	Significado
	Conexão WiFi disponível
	Conexão do servidor disponível
	Baixando software
	Conexão à rede PLC disponível
	Hotspot ativado
	Há um perfil de carregamento ativado no veículo. Esse perfil é carregado de acordo com os ajustes.
	Sistema fotovoltaico conectado

### Barra de status

Diversos símbolos podem ser exibidos na barra de status.

O seguinte resumo mostra o significado dos símbolos na barra de status.

Símbolo	Significado
	Conexão WiFi disponível
	Conexão do servidor disponível
	Baixando software
	Conexão à rede PLC disponível
	Hotspot ativado
	Monitor de aterramento desativado (Canadá, México)
	O carregador está conectado a um gerenciador de energia
	Há um perfil de carregamento ativado no veículo. Esse perfil é carregado de acordo com os ajustes.
	Sistema fotovoltaico conectado





**i** **Informações**

Dependendo da sua importância, alguns símbolos se sobrepõem e, portanto, não são visíveis (os símbolos com prioridade crescente são, por exemplo, rede PLC < Conexão WiFi < Gerenciador de energia).

**Barra de menus**

Diversos símbolos podem ser exibidos na barra de menus.

A seguinte vista geral mostra o significado dos símbolos na barra de menu.

Símbolo	Significado
	Exibir informações sobre a sessão de carregamento atual
	Exibir histórico de carregamento
	Configurando ajustes
	Uma atualização de software está disponível.

**Opções de controle**

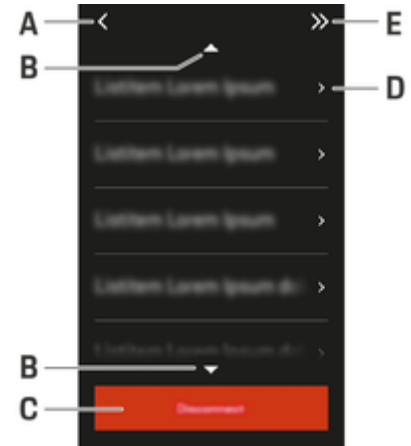


Fig. 59: Opções de controle

- A** Voltar
- B** Cima/Baixo
- C** Atividade
- D** Detalhes
- E** Pular

### Selecionando o local de instalação



**PERIGO**

Choque elétrico, incêndio

O uso incorreto do carregador ou a não conformidade com as instruções de segurança pode resultar em curtos-circuitos, choques elétricos, explosões, incêndios ou queimaduras.

- ▶ Não instale o suporte de parede básico ou a base de carregamento em áreas potencialmente explosivas.
- ▶ Antes de instalar o suporte para parede básico ou a base de carregamento, certifique-se de que não há cabos elétricos nos arredores dos orifícios de montagem a serem perfurados.
- ▶ Para reduzir o risco de explosão, especialmente em garagens, certifique-se de que a unidade de comando esteja localizada, pelo menos, 50 cm acima do piso durante o carregamento.
- ▶ Observe as normas de instalação elétrica aplicáveis localmente, medidas de proteção contra incêndio, normas de prevenção de acidentes e rotas de fuga.

O suporte básico para parede e a base de carregamento foram projetados para instalação em ambientes internos e externos. Os seguintes critérios têm de ser considerados ao selecionar um local de instalação adequado:

- Idealmente, instale a tomada elétrica e a linha de alimentação, o suporte básico para parede ou a base de carregamento em uma área coberta que ofereça proteção contra a luz solar direta e a chuva (por exemplo, em uma garagem).
- A distância da tomada elétrica até o piso e o forro deverá ser selecionada em conformidade com as normas e regulamentações nacionais, de forma que o uso confortável seja assegurado.
- Não instale o suporte de parede básico ou a base de carregamento sob objetos suspensos ou pendurados.
- Não instale o suporte de parede básico ou a base de carregamento em estábulos, construções para gado ou locais onde ocorrem gases de amônia.
- Instale o suporte de parede básico ou a base de carregamento em uma superfície lisa.
- Para garantir a fixação segura, verifique a condição da parede antes de instalar.
- Instale o suporte para parede básico ou a base de carregamento o mais perto possível da posição preferida para estacionamento do veículo. Leve em conta a orientação do veículo.

- Instale o suporte de parede básico ou a base de carregamento de maneira que não fique próximo a locais de passagem e que os cabos de carregamento não cruzem qualquer caminho.
- Instale o suporte de parede básico ou a base de carregamento de forma que a distância entre o conector elétrico e a tomada elétrica não excedam o comprimento do cabo de alimentação disponível.



## Ferramentas necessárias

- Nível de bolha de ar
- Furadeira elétrica ou de martelo
- Chave de fenda

## Instalando Instalando o suporte para parede Instalando o suporte básico para pa- rede

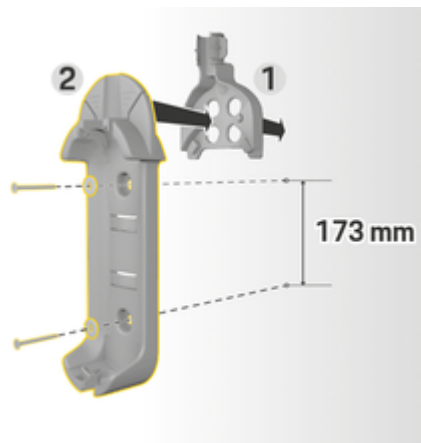


Fig. 60: Dimensões de perfuração

1. Marque os furos na parede.
2. Perfure os furos para a montagem e insira os conectores de parede.
3. Pressione o suporte básico para parede 2 (Fig. 60) na passagem do cabo 1 (Fig. 60) pela parte da frente.
4. Parafuse o suporte básico para parede na parede.

## Instalando o prendedor do conector

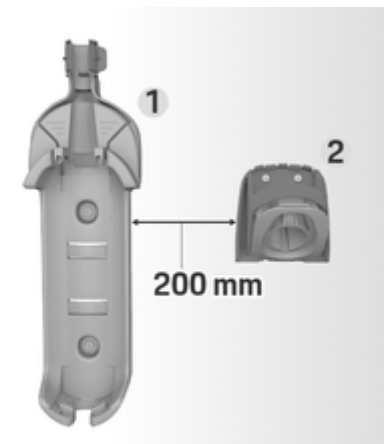


Fig. 61: Distância entre o suporte para parede e o prendedor do conector

Ao instalar o prendedor do conector, deixe uma distância de 200 mm do suporte básico para parede.

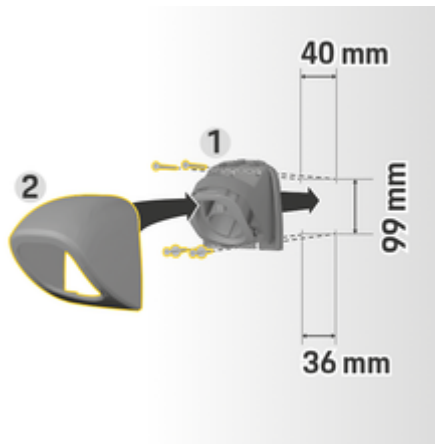


Fig. 62: Dimensões de perfuração

1. Remova o prendedor do conector 1 (Fig. 62) da tampa 2 (Fig. 62).
2. Marque os furos na parede.
3. Perfure os furos para a montagem e insira os conectores de parede.
4. Parafuse o prendedor do conector 1 (Fig. 62) na parede.
5. Fixe a tampa 2 (Fig. 62) no prendedor do conector 1 (Fig. 62) pela parte de baixo e empurre para cima.

## Fixando a unidade de comando ao suporte básico para parede



Fig. 63: Prendendo a unidade de comando

1. Passe o cabo do veículo pela abertura inferior do suporte básico para parede, posicione a parte inferior da unidade de comando na guia de travamento e empurre para trás para encaixar.
2. Passe o cabo de alimentação pela abertura superior no suporte básico para parede e trave o anel de retenção empurrando-o para a esquerda.
3. Insira o plugue do veículo no prendedor do conector.

## Instalação sem espaçador

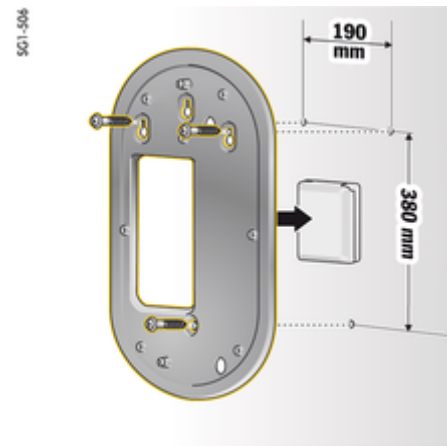


Fig. 64: Dimensões de perfuração

1. Marque os furos na parede.
2. Perfure os furos para a montagem e insira os conectores de parede.
3. Parafuse a placa de montagem na parede.

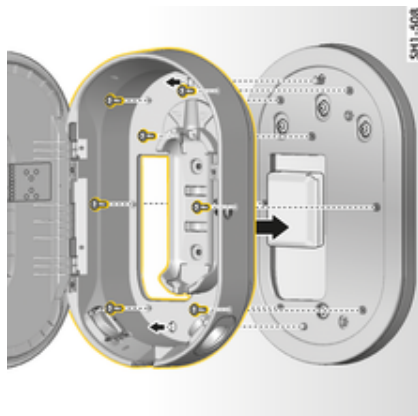


Fig. 65: Parafusando a base de carregamento na placa de montagem

4. Parafuse a base de carregamento na placa de montagem.

### Instalação com espaçador

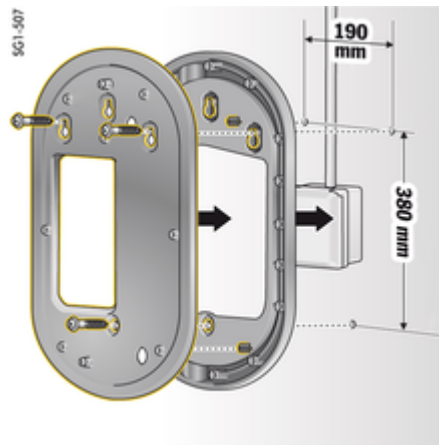


Fig. 66: Dimensões de perfuração

1. Marque os furos na parede.
2. Perfure os furos para a montagem e insira os conectores de parede.
3. Parafuse a placa de montagem e o espaçador na parede.

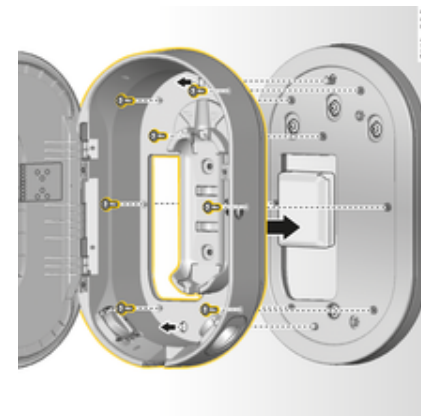


Fig. 67: Parafusando a base de carregamento na placa de montagem

4. Parafuse a base de carregamento na placa de montagem.

## Configuração

### Cabos de carga e de alimentação do veículo

#### Informações sobre conectores e cabos de carga do veículo

Diferentes portas de carga do veículo **A** e conectores do veículo **B** estão disponíveis, dependendo do equipamento do veículo.



IEC 62196-2/  
SAE-J1772-2009  
Tipo 1 UL/IEC



IEC 62196-2/  
SAE-J1772-2009  
Tipo 1



IEC 62196-2  
Tipo 2



GB/T 20234.2  
Tipo GB

### Selecionando cabos de alimentação

Para carregamento regular com velocidade de carga ideal, utilize somente os cabos de alimentação indicados a seguir. A potência de carregamento máxima é de até 22 kW (dependendo do tipo de dispositivo, da fonte de alimentação/conexão doméstica e do carregador de bordo). Ao dirigir no exterior, tenha sempre consigo o cabo de alimentação adequado para uso no país que estiver visitando.

#### NOTA

Use apenas cabos de alimentação aprovados para o país onde você está. Os cabos de alimentação a seguir são aprovados para países específicos e são definidos nas tabelas abaixo.

País	Cabos de alimentação
Rússia, Ucrânia	5, 6, 7, 8, C
Abu Dhabi, Israel, Singapura	5, 6, 7, 8

Aprovação de cabos de alimentação em diferentes países (exemplos)

O cabo do veículo pode ter 2,5 ou 7,5 metros de comprimento, dependendo das circunstâncias. Em alguns países, o comprimento total do cabo de alimentação, da unidade de comando e do cabo do veículo é restringido, por exemplo, a 5 metros na Suíça e a 7,5 metros em Israel e nos EUA<sup>1</sup>).

1. Data de impressão. Mais informações estão disponíveis em sua Concessionária Porsche ou no fornecedor de eletricidade local.

### Cabos de alimentação para tomadas elétricas industriais



1  
NEMA 14-30



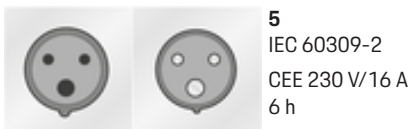
2  
NEMA 14-50



3  
NEMA 6-30



4  
NEMA 6-50



5  
IEC 60309-2  
CEE 230 V/16 A  
6 h



6  
IEC 60309-2  
CEE 230 V/32 A  
6 h



7  
IEC 60309-2  
CEE 400 V/16 A  
6 h



8  
IEC 60309-2  
CEE 400 V/32 A  
6 h



9  
WCZ8 20 A

### Cabos de alimentação para tomadas elétricas domésticas

Se não houver tomada elétrica industrial disponível, os cabos de alimentação listados a seguir também poderão ser utilizados para carregamento com uma potência de carregamento reduzida.

- ▶ Em alguns países, por exemplo, em Abu Dhabi, Israel, Singapura e Índia<sup>1</sup>, o carregamento a partir de tomadas elétricas domésticas é **proibido**.



A  
NEMA 5-15  
Tipo B



B  
WCZ8 15 A



C  
CEE 7/5; CEE 7/7  
Tipo E/Tipo F  
(Resistente a choques)



D  
BS 1363  
Tipo G

1. Data de impressão. Mais informações estão disponíveis em sua Concessionária Porsche ou no fornecedor de eletricidade local.



**E**  
AS 312  
Tipo I



**F**  
SEV 1011  
Tipo J



**G**  
DS60884-2-D1  
Tipo K



**H**  
CEI23-16-VII  
Tipo L 16 A (5 mm)



**I**  
IA6A3 (BS 546)  
Tipo M

## NEMA 6-50/NEMA 14-50 (informações adicionais)

### Informações

#### Descrição

Esta recomendação de uso se aplica apenas a regiões com o padrão NEMA 6-50/NEMA 14-50.

O carregamento do veículo pode gerar correntes elétricas altas. Por motivos de segurança, o uso de componentes exclusivamente aprovados e a instalação profissional de todo o dispositivo de carregamento é obrigatório.

#### Instruções gerais de segurança

**PERIGO** Choque elétrico e incêndio

O uso incorreto do equipamento de carregamento e a não observação das instruções de instalação e segurança podem causar curto-circuito, choque elétrico, explosão, incêndio ou queimaduras.

- ▶ Preste atenção às instruções de instalação descritas no manual do equipamento de carregamento.
- ▶ Preste atenção especial a todos os avisos e alertas de segurança indicados.
- ▶ A instalação deve ser realizada por uma pessoa com a formação necessária em elétrica e conhecimentos especializados.
- ▶ Observe também os regulamentos nacionais para a realização de instalações elétricas.

## Requisitos para a tomada elétrica

**PERIGO** Tomadas elétricas inadequadas

Uma tomada elétrica inadequada pode causar curto-circuito, choque elétrico, explosão, incêndio ou queimaduras.

- ▶ Use apenas um tipo de tomada elétrica que seja adequada para esta instalação (veja **Tipos adequados de tomadas/conectores elétricos**).
- ▶ Use apenas tomadas elétricas que atendam aos requisitos de qualidade das superfícies de contato e fixação (veja **Requisitos de qualidade das tomadas elétricas**).
- ▶ Evite o contato direto entre os parafusos do terminal e o fio. De preferência, use ponteiros de fio elétrico.
- ▶ Evite prender o cabo no isolamento.

## Tipos adequados de tomadas/conectores elétricos

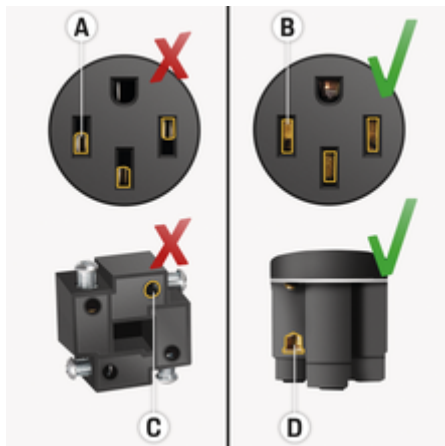


NEMA 6-50  
Tomada/conector



NEMA 14-50  
Tomada/conector

## Requisitos de qualidade das tomadas elétricas



- A** A superfície de contato tem apenas metade da altura do contato plug-in
- B** A superfície de contato cobre toda a altura do contato plug-in
- C** Superfície de contato pequena entre o parafuso do terminal e o fio.
- D** Superfície de contato larga entre a placa de terminal e o fio

## Requisitos para instalação de cabos

**PERIGO**

Cabo de alimentação inadequado

O uso de cabos de alimentação inadequados ou correntes elétricas excessivas pode causar curto-circuito, choque elétrico, explosão, incêndio ou queimaduras.

- ▶ O cabo deve ter um fusível de 50 A.
- ▶ Use apenas cabos de cobre com seção transversal mínima de 8 AWG ou, de preferência, 6 AWG.

## Requisitos para instalação em ambiente externo

**PERIGO**

Contato direto com chuva

Se o equipamento de carregamento for usado em ambientes externos, o contato direto com a chuva pode causar curto-circuito, choque elétrico, explosão, incêndio ou queimaduras.

- ▶ Evite que o equipamento de carregamento entre em contato direto com a chuva.
- ▶ Use um gabinete resistente à chuva NEMA 3R.

## Trocando cabos de alimentação e cabos do veículo

**PERIGO**

Choque elétrico

Risco de ferimentos sérios ou fatais provocados por choque elétrico.

- ▶ Antes de trocar o cabo de alimentação, sempre desconecte o cabo de alimentação da tomada elétrica e desconecte o cabo do veículo da porta de carga do veículo.
- ▶ Troque os cabos somente em um ambiente seco.
- ▶ Use apenas cabos aprovados pela Porsche.

▶ Consulte o capítulo "Escopo do fornecimento" na página 142.

Em alguns países, por exemplo, na Noruega, Itália, Portugal e Espanha<sup>1</sup>, o cabo de alimentação pode ser trocado apenas por um electricista qualificado. A Porsche recomenda que você utilize uma Concessionária Porsche.

1. Data de impressão. Mais informações estão disponíveis em sua Concessionária Porsche ou no fornecedor de eletricidade local.

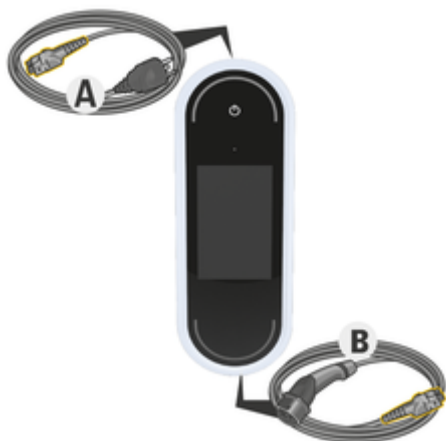


Fig. 68: Conexões na unidade de comando

O cabo de alimentação **A** pode ser removido e introduzido na parte superior da unidade de comando.

O cabo do veículo **B** é removido e introduzido na parte inferior da unidade de comando

## Desconectando cabos

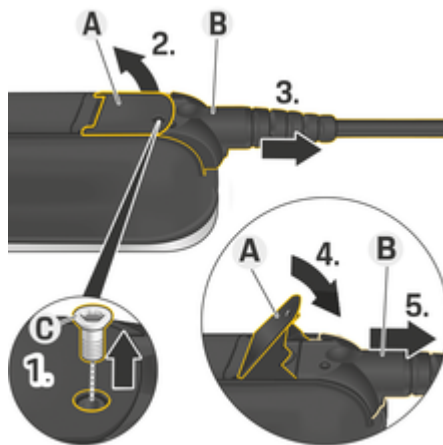


Fig. 69: Desconectando cabos

- ✓ O carregamento da bateria de alta tensão foi finalizado e o conector do veículo foi removido da porta de carregamento do veículo.
  - ✓ O conector foi desconectado da tomada elétrica.
1. Remova o parafuso **C** (Fig. 69) usando uma ferramenta adequada.
  2. Levante a alavanca **A** (Fig. 69).
  3. Puxe o conector **B** (Fig. 69) até sentir a resistência pela primeira vez.
  4. Feche a alavanca **A** (Fig. 69).
  5. Puxe o conector **B** (Fig. 69) completamente.

## Prendendo cabos

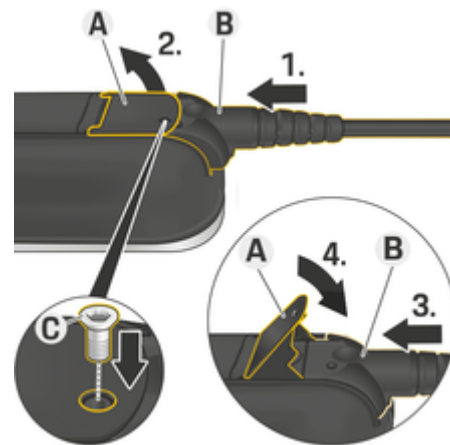


Fig. 70: Conectando cabos e prendendo conectores

- ✓ A alavanca **A** (Fig. 70) está fechada.
1. Insira o conector **B** (Fig. 70) na unidade de comando até sentir a resistência pela primeira vez.
  2. Levante a alavanca **A** (Fig. 70).
  3. Empurre o conector **B** (Fig. 70) completamente.
  4. Feche a alavanca **A** (Fig. 70).
  5. Fixe o plugue **B** (Fig. 70) na unidade de comando com o parafuso **C** (Fig. 70).




## Operação inicial e configuração

### Inicialização

Configure os ajustes a seguir antes de começar a utilizar o carregador pela primeira vez.

#### Informações

- Opções marcadas com **Pular** podem ser puladas. Nesse caso, o ajuste não é configurado.
- Os ajustes sempre podem ser alterados na tela a qualquer momento ().

### Idioma e país

1. Selecione o idioma desejado na lista. Confirme a seleção.
2. Selecione o país desejado na lista.
3. Confirme o idioma e país selecionados.

### Transmissão de dados

- ▶ Leia e confirme as instruções para transferir os dados.

### Atualizações de software

Para garantir a funcionalidade completa e a operação confiável do carregador, o software mais recente sempre deverá ser instalado.

- ▶ Selecione e confirme os ajustes para atualização automática de software.

**Ligado** O carregador verifica se há atualizações de software disponíveis e as baixa automaticamente.

Depois, a instalação poderá ser iniciada diretamente ou adiada para uma outra hora.

**Desligado** O carregador verifica se as atualizações de software estão disponíveis e exibe uma mensagem correspondente. Desse modo, o download poderá ser iniciado manualmente. Quando o download estiver concluído, a instalação poderá ser iniciada diretamente ou adiada para uma outra hora.

Se não for possível estabelecer uma conexão com a internet no carregador, atualizações de software também podem ser baixadas manualmente através do endereço da web na área **E-Performance** em <https://www.porsche.com> e instaladas através do aplicativo web.

### Selecionando uma rede

Selecione a opção para conectar a uma rede doméstica. Essa opção pode ser pulada utilizando **Pular**. Nesse caso, nenhuma conexão com uma rede doméstica é estabelecida. Se o carregador estiver conectado a uma rede doméstica existente, funções e informações avançadas estarão disponíveis. A ligação pode ser efetuada através de WiFi ou um rede Powerline Communication (rede PLC). Se nenhuma rede doméstica estiver disponível, um hotspot pode ser configurado no carregador.

#### Informações

Redes WiFi públicas sem proteção por senha não são suportadas e não podem ser usadas.

### Conexão via WiFi


1. Selecione **WiFi**.
2. Selecione uma rede doméstica na lista de redes WiFi detectadas.
3. Digite e confirme sua senha.

### Conexão via botão de emparelhamento PLC

1. Selecione **Botão de emparelhamento PLC**.
2. Inicie o processo de conexão no modem PLC. Confirme pressionando **OK** no carregador.

Quando a configuração estiver conectada, confirme com **Conectar**.


➔ A conexão com a rede PLC está ativa.

Se for estabelecida uma conexão com a rede PLC, o símbolo  será exibido na barra de status.

### Conexão via código de segurança PLC

Um dispositivo contendo o software de controle para a rede PLC deve ser utilizado para este método.

1. Para estabelecer uma conexão com uma rede PLC utilizando o código de segurança, selecione **Código de segurança PLC**.
  - ➔ O código de segurança aparece na tela.
2. Insira o código de segurança no menu relevante do software de controle para a rede PLC a fim de integrar o carregador na rede PLC.
  - ➔ A conexão com a rede PLC está ativa.

Se for estabelecida uma conexão com a rede PLC, o símbolo  será exibido na barra de status.

#### Informações

Características da PLC:

- Interfaces separadas para o veículo e para a infraestrutura
- PLC para IEEE P1901
- Plugue AV doméstico
- Encriptação: AES de 128 bits
- Banda de frequência: 2-30 MHz

### Perfis de usuários (emparelhando Porsche ID)

Quando o carregador é emparelhado com sua Porsche ID, as informações sobre o carregador e os processos de carregamento podem ser exibidos em My Porsche e no app Porsche Connect.

#### Para emparelhar o carregador com seu Porsche ID:

- ▶ Abra o site mostrado no visor do carregador no navegador do seu dispositivo e digite o código do usuário.  
– ou –  
Faça a varredura do código QR exibido no carregador. É possível fazer a varredura do código QR das seguintes maneiras:
  - Usando o app Porsche Connect (**Minha conta > Cabos de carregamento e dispositivos > Fazer varredura do código QR**).
  - Utilizando a câmera do seu dispositivo (iOS 11 ou superior, diferente para Android).
  - Usando um app para fazer varredura de códigos QR.

Se o carregador tiver sido emparelhado com sucesso, o Assistente de instalação avançará para a próxima etapa.

### Conectando ao gerenciador de energia

Se um gerenciador de energia está disponível, você pode estabelecer uma conexão a ele. O gerenciador de energia assume o controle do processo de carregamento.

- ▶ Para informações sobre a conexão, consulte o manual de operação do gerenciador de energia.

Se não houver um gerenciador de energia disponível, o veículo será carregado com a corrente de carga que entra no carregador:


#### ▶ Ajustes ▶ Ajustar corrente carreg.

▶ Consulte o capítulo "Adaptando a corrente de carregamento" na página 156.

### Hotspot

Se não for possível uma integração a uma rede doméstica, o carregador pode ativar um hotspot e usá-lo para estabelecer uma conexão com o aplicativo web do carregador.

- ▶ Para estabelecer um hotspot clique **Ativar hotspot**

Depois de estabelecer um hotspot, o símbolo  aparece na barra de status.

### Informações

Se você usa um sistema Android, pode precisar confirmar separadamente se a conexão foi estabelecida, para que uma conexão de hotspot possa ser estabelecida.

### Adaptando a corrente de carregamento

Se não houver gerenciador de energia disponível na rede doméstica, a corrente de carregamento máxima permitida para o carregador poderá ser definida aqui.

O valor máximo exibido é determinado pelos tipos de cabo que estão conectados.

- ▶ Defina a corrente de carregamento para o valor máximo disponível na alimentação da rede elétrica usada para o carregador. Use **Mais** e **Menos** para fazer isso.

▶ Consulte o capítulo "Limitação da corrente de carregamento" na página 159.

### Proteção do dispositivo

Para prevenir que um veículo não autorizado seja conectado ao carregador, é possível configurar uma solicitação de PIN.

1. Para ativar a solicitação de PIN, selecione **Ligado**.
2. Insira um PIN de 4 dígitos e confirme.
3. Insira o PIN novamente e confirme.
  - ➔ A ativação da solicitação de PIN é confirmada.

### Concluindo a instalação

- ▶ Utilizando o **Resumo**, verifique os ajustes que você inseriu e complete a instalação.

### Inicialização com o aplicativo web

Antes que o carregador e o aplicativo web possam ser colocados Web Application em uso diário, o carregador deve ser configurado primeiro. Em seguida, uma conexão precisa ser estabelecida entre o seu dispositivo (PC, tablet ou smartphone) e o carregador.

## Requisitos para primeira inicialização no aplicativo web

Tenha as seguintes informações Web Application em mãos ao usar o aplicativo web pela primeira vez:

- Carta de dados de acesso do Porsche Mobile Charger Connect para fazer login no aplicativo web do carregador Web Application
- Dados de acesso para a sua rede doméstica
- Dados de acesso para seu perfil de usuário (para vinculá-lo ao seu Porsche ID)

O aplicativo web suporta os seguintes navegadores:

- Google Chrome versão 57 ou posterior (recomendado)
- Mozilla Firefox versão 52 ou posterior (recomendado)
- Microsoft Internet Explorer versão 11 ou posterior
- Microsoft Edge
- Apple Safari versão 10 ou posterior

## Fazendo login no carregador

### **i** Informações

Você encontrará os dados para fazer login no carregador na carta em anexo que contém dados de acesso. O campo de segurança contém os códigos de acesso (PIN e PUK). Esse campo contém uma tinta especial que cobre esses códigos.

Os códigos ficam visíveis apenas quando esse campo é umedecido em água corrente.

Não esfregue ou arranhe o campo ao umedecê-lo, uma vez que os códigos também podem ser danificados.

- ✓ O carregador está ligado.
  - ✓ A carta que contém dados de acesso está à mão.
1. Encontre o PIN na carta. Para isso, umedeça o campo de segurança para que o PIN fique visível.
  2. Digite o PIN.

## Iniciando a configuração no carregador

O carregador é configurado usando o assistente de configuração, que orientará você através das etapas envolvidas na instalação. A configuração deve ser concluída para que o carregador possa ser usado corretamente.

► Consulte o Manual de Operação do Porsche Mobile Charger Connect para obter detalhes sobre a configuração do carregador.

## Resumo

O aplicativo web oferece opções de ajuste mais abrangentes do que o carregador.

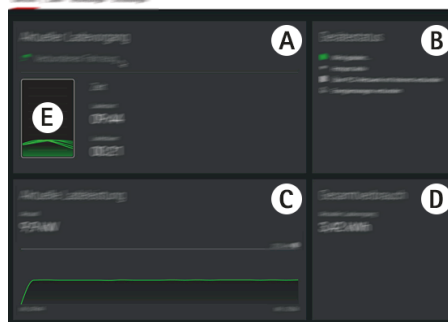


Fig. 71: Vista geral do aplicativo web

### A Sessão de carregamento atual

Mostra informações sobre a sessão de carregamento atual, tais como hora de início e duração do carregamento.

### B Status do dispositivo

Mostra informações sobre o dispositivo, tais como:

- O status de carga atual
- a conexão de rede usada
- O status da conexão ao gerenciador de energia (se disponível)
- se uma atualização de software está disponível
- A desativação do monitor de aterramento

### C Capacidade de carregamento atual

O fluxo de corrente de eletricidade [em kilowatts] do carregador até a carga.

Característica: A curva mostra o progresso da potência de carregamento desde o início do carregamento e o consumo de energia total [em kilowatts].

Selecione uma hora na curva para visualizar o ponto de carregamento nessa hora.

### D Consumo

O consumo total de energia da sessão de carregamento atual [em kilowatt horas].

### E Status de carga

A cor usada no painel de instrumentos indica o status de carga do carregador:

- Vermelho: Mensagem de erro
- Azul: Carregamento pausado
- Verde: O veículo está carregando
- Branco: Nenhum veículo conectado ao carregador

### Operando

#### Instruções de operação

Em alguns países, as autoridades relevantes devem ser notificadas quando você conecta o equipamento de carregamento do veículo elétrico.

- ▶ Verifique se há qualquer obrigação de notificar as autoridades e as exigências legais para operação antes de conectar o equipamento de carregamento.

#### NOTA

Danos ao carregador

- ▶ Sempre coloque o carregador sobre uma superfície sólida durante o carregamento.
- ▶ A Porsche recomenda que você opere o carregador no suporte básico para parede ou na base de carregamento. Em alguns países, por exemplo, na Suíça<sup>1</sup>, o carregador pode ser utilizado apenas no suporte básico para parede ou na base de carregamento.
- ▶ Não mergulhe o carregador em água.
- ▶ Proteja o carregador contra neve e gelo.
- ▶ Manuseie o carregador com cuidado e proteja-o contra danos potenciais resultantes de passar o carro por cima, esmagar, cair, esticar ou dobrar.
- ▶ Não abra a carcaça do carregador.

#### NOTA

Danos ao carregador

O carregador deve ser operado apenas dentro de uma faixa de temperatura de  $-30\text{ }^{\circ}\text{C}$  a  $+50\text{ }^{\circ}\text{C}$ .

- ▶ Para evitar superaquecimento durante a operação, evite a exposição contínua do carregador à luz solar direta. Se ocorrer superaquecimento do carregador, o carregamento será interrompido automaticamente até a temperatura retornar à faixa normal.
- ▶ Se o carregador estiver muito quente ou muito frio, deixe-o retornar lentamente até a faixa de temperatura operacional e não o aqueça ou resfrie ativamente, por exemplo, com água fria ou secador de cabelo.

### Carregamento

#### Instruções de carregamento

##### Porta de carga do veículo

Para obter informações sobre a conexão e desconexão do cabo do veículo e da porta de carga do veículo e para saber o status de carga e da conexão na porta de carga do veículo:

- ▶ Consulte o Manual do proprietário.

#### PERIGO

Choque elétrico, incêndio

Risco de ferimentos sérios ou fatais devido a incêndio ou choque elétrico.

- ▶ Sempre observe a ordem especificada para o procedimento de carregamento.
- ▶ Não desconecte o cabo do veículo da porta de carga do veículo durante o carregamento.
- ▶ Conclua o processo de carga antes de desconectar o cabo do veículo da porta de carga do veículo.
- ▶ Não desconecte o carregador da tomada elétrica durante o carregamento.

Os erros são mostrados no visor e são indicados pelos LEDs de status vermelho. A mensagem de erro, a causa e uma medida corretiva são exibidas.

- ▶ Consulte o capítulo "Defeitos" na página 170.

1. Data de impressão: Mais informações estão disponíveis com sua concessionária Porsche.

## Tempos de carregamento

A duração de carregamento pode variar dependendo dos seguintes fatores:

- Tomada elétrica usada (tomada elétrica doméstica ou industrial)
- Tensão e corrente da rede elétrica específicas do país
- Ajustes para limitar a corrente de carregamento no carregador
- Flutuações na tensão da rede elétrica
- Temperatura ambiente do veículo e do carregador. Os tempos de carregamento podem ser mais longos se a temperatura estiver nos limites da temperatura ambiente permitida.
  - ▶ Consulte o capítulo "Ativando e desativando o monitor de aterramento" na página 160.
- Temperatura da bateria de alta tensão e da unidade de comando
- Pré-refrigeração/aquecimento do compartimento de passageiros ativado
- Capacidade de transporte de corrente do conector elétrico e do conector do veículo

### Informações

Devido aos diferentes sistemas de alimentação de rede elétrica nacionais, são oferecidas várias versões de cabo. Isso poderá resultar na potência total de carregamento não estar disponível. Mais informações estão disponíveis com sua concessionária Porsche.

## Iniciando, pausando e terminando o carregamento

### Iniciando o carregamento

1. Insira o conector na tomada elétrica.


 O botão de energia acende em branco.

 LEDs de status acendem em branco.

➔ O visor é ativado.

2. Insira o conector do veículo na porta de carga do veículo.

 O botão de energia acende em branco.

 LEDs de status pulsam em branco.


Para obter informações sobre a conexão do cabo do veículo com a porta de carga do veículo:

▶ Consulte o Manual do proprietário.

➔ Após um autoteste bem-sucedido e quando a conexão é estabelecida, os LEDs de status acendem em branco.

3. O carregamento é iniciado automaticamente.


 O botão de energia acende em branco.

 LEDs de status pulsam em verde.

4. Após alguns minutos, o carregador alterna para o modo em espera.

➔ O veículo começa o carregamento.

### Informações

- O carregamento é controlado pelo veículo. O carregamento pode ser interrompido apenas no veículo.
- O status da carga é mostrado no visor quando o carregador não está no modo em espera. É possível ligar o visor novamente pressionando o botão de energia .
- Um recurso de desligamento por excesso de temperatura impede o superaquecimento durante o carregamento.

## Pausando o carregamento

O carregamento é controlado pelo veículo e pode ser pausado ocasionalmente, por exemplo, para otimizar o consumo de energia.

Uma pausa no carregamento é indicada na unidade de comando:

-  O botão de energia acende em branco.

 LEDs de status piscam azuis.

O visor é ativado.

O veículo começa a carregar de novo automaticamente. O carregamento pode ser interrompido no veículo.

## Interrompendo o carregamento

✓ O carregamento foi concluído com sucesso.

 O botão de energia acende em branco.

 LEDs de status acendem em vermelho

O visor é ativado e mostra informações sobre o processo de carregamento concluído. Após alguns minutos, o carregador alterna para o modo em espera.

▶ Desencaixe o conector do veículo da porta de carga do veículo.

## Limitação da corrente de carregamento

A unidade de comando detecta automaticamente a tensão e a corrente disponível. A potência de carregamento a ser usada para o carregamento pode ser definida usando a limitação da corrente de carregamento. A última corrente de carregamento definida é salva. Para evitar o superaquecimento da instalação

elétrica, a corrente de carregamento é automaticamente limitada a 50% na entrega quando tomadas elétricas domésticas são usadas.

Se o carregador estiver conectado a um gerenciador de energia, a corrente de carregamento é limitada de acordo com os valores predefinidos no gerenciador de energia. A corrente de carregamento máxima disponível também pode ser reduzida por outros consumidores na rede doméstica, por exemplo, por um aquecedor elétrico ou aquecedor de água. A potência de carregamento nunca deve ser definida acima da potência máxima disponível no circuito elétrico utilizado. Se você não tiver certeza sobre isso, entre em contato com um eletricitista qualificado.

### Plug & Charge

Com Plug & Charge, o veículo pode ser carregado usando uma infraestrutura de carregamento adequada em áreas públicas e privadas, sem a necessidade de inicializar manualmente o processo de carregamento na estação de carregamento ou no carregador. O processo de carregamento é cobrado automaticamente com base no contrato firmado com o fornecedor de carregamento.

- ✓ Funções de carregamento inteligente no veículo ativadas.
- ✓ Infraestrutura de carregamento adequada para Plug & Charge.
- ✓ O contrato com o fornecedor de carregamento inclui Plug & Charge.

### Private Plug & Charge

Se a proteção Mobile Charger Connect do dispositivo for ativada, o processo de carregamento só poderá ser iniciado inserindo o PIN ▶ Consulte o capítulo "Proteção do dispositivo" na página 156. Isso serve para proteger contra o acesso não autorizado.

### Lista de veículos (registrar veículo)

Após inserir o PIN, é exibida uma pergunta se o veículo deve ser Mobile Charger Connect adicionado à lista de veículos. Com o consentimento, um emparelhamento único do veículo com o qual reconhece imediatamente Mobile Charger Connect o veículo após a conexão do cabo de carregamento e libera o processo de carregamento. Portanto, para todos os outros processos de carregamento com este veículo não é mais necessário inserir um PIN.

### Acessar lista de veículos

Vários veículos podem ser Mobile Charger Connect registrados ao mesmo tempo. Cada veículo é listado separadamente na lista de veículos.

- ▶ **Ajustes** ⚙ ▶ **Selecione a lista de veículos.**

Os veículos podem ser removidos novamente através desta lista.

### Ativando e desativando o monitor de aterramento



**PERIGO**

Choque elétrico, curto-circuito, incêndio, explosão

O uso do carregador sem o monitor de aterramento ativo pode provocar choques elétricos, curto circuitos, incêndio, explosões ou queimaduras.

- ▶ O carregador deverá ser preferencialmente operado em sistemas de rede elétrica aterrados.
- ▶ Somente desative o monitor de aterramento em sistemas com alimentação de rede elétrica não aterrada.
- ▶ Ative o monitor de aterramento em sistemas com alimentação de rede elétrica aterrada.

▶ Consulte o capítulo "Ativar monitor de aterramento" na página 161.

### Desativando o monitor de aterramento

- ✓ Uma mensagem de erro indicando um condutor de proteção interrompido ou ausente é mostrada no visor.
  - ✓ O Monitor de aterramento interrompeu o processo de carregamento ou impede que ele seja iniciado.
    - ⦿ O botão de energia acende vermelho.
    - ⦿ LEDs de status acendem em vermelho.Uma mensagem de erro é exibida no visor.
1. Para desativar o monitor de aterramento, confirme a mensagem de erro com **Confirmar**.
  2. Pressione e segure o botão Ligar ⦿ durante 3 segundos.

3. Confirme a desativação do monitor de aterramento com **Confirmar**.
  - ➔ O monitoramento permanece desativado para processos de carregamento subsequentes.

### Ativar monitor de aterramento

Se o carregador for operado em um sistema com alimentação de rede elétrica aterrada, ative o monitor de aterramento.

1. Abra o **Monitor de terra** menu (**Ajustes** ⚙️ ▶ **Monitor de terra**).
2. Selecione Ativar monitor de aterramento com **Ativar**.

Quando o monitor de aterramento estiver ativado, o item de menu **Monitor de terra** não aparecerá no menu **Ajustes** ⚙️.

### Fazendo login no aplicativo web

Para uso padrão do aplicativo web, selecione Usuário doméstico como tipo de usuário. O usuário de Serviço ao cliente possui opções de ajuste adicionais e destina-se à sua Concessionária Porsche para fins de serviço.

✓ Os dados de acesso estão à mão.

1. Selecione o usuário apropriado no campo **Usuário**.
2. Insira a senha (da carta que contém os dados de acesso).

#### Informações

Após 25 minutos de inatividade, o usuário é automaticamente desconectado do aplicativo web.

### Abrindo o aplicativo web

Opções de configuração adicionais e informações detalhadas sobre os processos de carregamento existentes estão disponíveis utilizando uma aplicação web desenvolvida especialmente para cada carregador.

#### Informações

- Dependendo do navegador utilizado, o aplicativo web poderá não abrir imediatamente. Em vez disso, um aviso sobre as configurações de segurança do navegador pode ser exibido primeiro.
- Poderá ser necessário inserir a chave de rede ao abrir o aplicativo web. Isso depende do sistema operacional do seu dispositivo.

### Abrindo o aplicativo web via hotspot

O aplicativo web pode ser aberto utilizando um dispositivo (PC, tablet ou smartphone) via hotspot configurado pelo carregador.

Para configurar um hotspot:

- ▶ Consulte o capítulo "Hotspot" na página 156.
- ▶ Para abrir o aplicativo web quando um hotspot estiver ativo, insira o seguinte endereço IP na barra de endereço do navegador: 192.168.0.1

### Abrindo o aplicativo web via Wi-Fi

O aplicativo web pode ser aberto no navegador em um dispositivo (PC, tablet ou smartphone) registrado na mesma rede doméstica que o carregador.

- Insira o endereço IP atual do carregador na barra de endereços do seu navegador. Você encontrará o endereço IP atual em **Ajustes** ⚙️ ▶ **Rede** ▶ **Informações de rede**.
  - **ou** –
  - Insira o nome de anfitrião do carregador na barra de endereço do seu navegador. Você encontrará o nome do host na carta que contém os dados de acesso.

▶ Para obter informações sobre o aplicativo web, consulte o manual em <https://www.porsche.com/international/about-porsche/e-performance/help-and-contact/>

## Usar o aplicativo web

### Abrindo o aplicativo web

#### Estabelecendo uma conexão ao carregador

Se o carregador foi integrado em sua rede doméstica existente (WiFi ou Powerline Communication) durante a configuração, o aplicativo web poderá ser acessado usando o endereço IP atribuído.

Para obter informações sobre o estabelecimento de conexões de rede, ► Consulte o capítulo "Conexões" na página 163..

#### Abrindo o aplicativo web via Wi-Fi

✓ Seu dispositivo e o carregador estão localizados na mesma rede WiFi.

1. Abra o seu navegador.
2. Na barra de endereço do navegador: Insira o endereço IP que foi atribuído durante a configuração (em **Ajustes** ► **Redes** ► **Informações de rede** no carregador), ou o nome de anfitrião do carregador (na carta que contém seus dados de acesso).

#### Abrindo o aplicativo web por meio do Powerline Communication

✓ Dispositivo e carregador estão na mesma rede por meio de conexão PLC.

1. Abra o seu navegador.
2. Na barra de endereço do navegador: Insira o endereço IP que foi atribuído durante a configuração (em **Ajustes** ► **Redes** ► **Informações de rede** no carregador).

#### Abrindo o aplicativo web via hotspot

Como alternativa, uma conexão pode ser estabelecida por meio de um hotspot. O carregador possui um ponto de acesso sem fio (hotspot), que está protegido por senha e requer login manual. Um dispositivo compatível com WiFi pode se conectar ao hotspot e então acessar o aplicativo web do carregador. No aplicativo web, é possível integrar o carregador na rede doméstica a qualquer momento.

- ✓ O carregador está ligado. O carregador ativa automaticamente seu hotspot WiFi.
1. Em seu dispositivo, pressione o ícone de rede ou WiFi na barra de tarefas ou painel de notificação.
  2. Selecione a sua rede WiFi na lista. O nome da rede WiFi é o mesmo que o SSID na carta que contém os dados de acesso e é mostrado como **ICCPD-#####**.
  3. Pressione o botão Conectar.
  4. No campo **Chave de segurança**, insira o código de segurança (mostrado como **WiFi PSK** na carta que contém os dados de acesso).
    - ➔ A conexão com a rede WiFi é estabelecida.

Nota: No sistema operacional Windows 10, primeiro será solicitado que insira o PIN do roteador. Selecione o link Conectar usando um código de segurança da rede em vez disso e depois insira o código.
  5. Abra o seu navegador.
  6. Insira o seguinte endereço IP na barra de endereço do seu navegador: **192.168.0.1**.

#### **i** Informações

Se o seu dispositivo estiver em uma rede doméstica, ele não poderá mais acessar o aplicativo web por meio do endereço IP de WiFi (192.168.0.1), mas apenas por meio do endereço IP atribuído automaticamente ou do nome de anfitrião do carregador.

- Entradas de endereços IP existentes:
  - Aplicativo web: **Manutenção** ► **Informações do dispositivo**
  - Carregador: **Ajustes** ► **Redes** ► **Informações de rede**
- Entradas de nomes de anfitrião existentes:
  - Carta contendo dados de acesso
  - Aplicativo web: **Manutenção** ► **Informações do dispositivo**

#### Redirecionando ao aplicativo web

#### **i** Informações

Dependendo do navegador utilizado, o aplicativo web poderá não abrir imediatamente. Em vez disso, um aviso sobre as configurações de segurança do navegador pode ser exibido primeiro.

1. Na mensagem de aviso do navegador exibida, selecione **Avançadas**.
2. Na próxima caixa de diálogo, selecione **Adicionar exceção**.
  - ➔ O certificado SSL é confirmado e o aplicativo web se abre.



## História de carregamento


Aqui, os processos de carregamento do carregador estão listados cronologicamente. As seguintes informações estão disponíveis para cada processo de carregamento:

- Hora
- Duração de carregamento
- Consumo
- Custo (se um gerenciador de energia estiver conectado)
- Conta usada (se uma conta foi selecionada durante o carregamento ativo)

O aplicativo web oferece a opção de exportar a história de carregamento como um arquivo Excel.

1. Selecione **Exportar história de carregamento**.
2. Navegue até o local de armazenamento desejado e salve o arquivo.

### Informações

Para cada processo de carregamento ativo, as contas de **Trabalho** e **Pessoal** ficam disponíveis para seleção para fins de avaliação. É possível selecionar a conta nas informações sobre o **Processo de carregamento** de corrente (símbolo  na barra de menu) no carregador. Sua escolha também é aplicada durante o próximo processo de carregamento, de modo que você precisa alterá-lo se necessário.


## Conexões

Para acessar o aplicativo web do carregador, suas informações e ajustes, seu dispositivo e o carregador devem estar na rede doméstica (por meio de WiFi ou conexão PLC). Todas as funções do aplicativo web podem ser usadas pela conexão de Internet da rede doméstica.

Se não houver rede doméstica disponível no local de uso, seu dispositivo (PC, tablet ou smartphone) poderá fazer login no carregador diretamente por meio de seu hotspot WiFi. No entanto, nesse caso não há conexão à Internet e apenas funções instaladas localmente ficarão disponíveis.

### Informações

Se o seu dispositivo estiver em uma rede doméstica, ele não poderá mais acessar o aplicativo web por meio do endereço IP de WiFi (192.168.0.1), mas apenas por meio do endereço IP atribuído automaticamente ou do nome de anfitrião do carregador.

- Entradas de endereços IP existentes:
  - Aplicativo web: **Manutenção** ▶ **Informações do dispositivo**
  - Carregador: **Ajustes**  ▶ **Redes** ▶ **Informações de rede**
- Entradas de nomes de anfitrião existentes:
  - Carta contendo dados de acesso
  - Aplicativo web: **Manutenção** ▶ **Informações do dispositivo**

### Informações

Se você alterar do modo hotspot para uma conexão de rede WiFi ou vice-versa durante o processo de configuração, será necessário fazer login novamente. É possível mudar para a rede doméstica com Powerline Communication enquanto uma conexão hotspot fica ativa sem reinício.

### Informações

Se você usar o aplicativo web, desative a conexão de hotspot somente se for possível uma conexão com uma rede doméstica.

- ▶ Selecione a conexão de rede desejada (hotspot, WiFi, PowerLine Communication).

## Hotspot

Seu dispositivo pode conectar-se diretamente ao carregador por meio de seu hotspot WiFi integrado.

1. Selecione **Configurar hotspot**.
  2. Em Ajustes, insira o nome da rede e o código de segurança do hotspot.
- ▶ Para obter informações sobre o estabelecimento de uma conexão de hotspot, ▶ Consulte o capítulo "Abrindo o aplicativo web" na página 162..

## WiFi

### Informações

Se o carregador já estiver conectado ao seu dispositivo por meio de um hotspot, você não poderá estabelecer simultaneamente uma conexão à rede WiFi. Você deve desativar o hotspot primeiro.

1. Ativar WiFi.
2. Selecione opção **Conectar a rede**.
3. Selecione a sua rede na lista e insira o **Chave de segurança**. **Rede diferente**: Selecione isso, se você estiver usando uma rede que não esteja na lista.
4. Escolha se deseja ter um endereço IP atribuído automaticamente (recomendado).
  - ➔ O endereço IP aparece assim que a conexão à rede é estabelecida.
  - O status **Conectado** aparece através da rede na lista.

## Gerenciando redes WiFi

Opção	Explicação
<b>Rede diferente</b>	▶ Selecione isso, se a sua rede não estiver na lista.
<b>Gerenciar redes conhecidas</b>	▶ Selecione <b>Excluir</b> para remover as redes salvas. Dessa maneira, o carregador estará na rede correta.

## Desconectando da rede

1. Selecione a rede que está conectada atualmente.
2. Selecione **Desconectar** para desconectar da rede WiFi.

## Configurando uma conexão de rede

1. Selecione a rede que está conectada atualmente.
2. Selecione **Configurar** para alterar os ajustes no endereço IPv4 e no servidor DNS.

**i** Informações

Uma banda de frequência de 2,4 GHz é usada para a conexão de rede. No caso de problemas de conexão, desative a banda de frequência de 5 GHz no roteador de rede.

## PowerLine Communication

Como alternativa para o WiFi, seu carregador pode ser conectado à rede doméstica por meio de uma conexão PLC. Para que isso aconteça, a rede elétrica existente é usada para configurar uma rede local para transferência de dados. O carregador é registrado como um cliente na rede PLC.

Para estabelecer uma conexão, o carregador e o modem PLC podem estar conectados entre si por meio de seus botões de emparelhamento. Nesse caso, o carregador é automaticamente emparelhado com o modem PLC. Outro método de conexão é inserir o código de segurança do carregador no modem PLC.

1. Ativar o **Powerline Communication (PLC)**.
2. Adicione o carregador à rede PLC:
  - **Opção 1:** Com o botão de emparelhamento:
    - a. no aplicativo web, selecione **Conectar com o método PLC push**.
    - b. Selecione **Iniciar emparelhamento**.
    - c. Para estabelecer uma conexão, pressione o botão de emparelhamento no modem PLC em 2 minutos.
    - d. Selecione o **Conectar** para confirmar o emparelhamento.
  - **Opção 2:** Inserindo o código de segurança PLC:
    - a. Selecione a opção **Estabelecer conexão com a chave de segurança PLC**. O código de segurança é exibido.
    - b. Insira o código de segurança nos ajustes de seu modem PLC.

➔ O carregador é integrado na rede PLC e uma conexão é estabelecida.

## Conexão PLC ao veículo

Esta função fica apenas visível e configurável através do usuário **Serviço ao cliente**. Se a conexão PLC estiver desativada, nenhum dado mais será transferido ao veículo por meio do cabo.

Este modo é necessário durante certas medições, por exemplo.

Quando a transferência de dados está ativa, o carregamento usa o protocolo de carregamento (comunicação de alto nível) como padrão.

Quando a transferência de dados é desativada, o carregamento é baseado em parâmetros elétricos (modulação da largura do pulso).

## Adicionando o gerenciador de energia

Para que o controle de carregamento seja assumido pelo gerenciador de energia, primeiro o carregador (dispositivo EEBus) e o gerenciador de energia devem estar conectados entre si. A conexão pode ser estabelecida no aplicativo web do gerenciador de energia e no aplicativo web do carregador (ou diretamente no carregador).

## Estabelecendo uma conexão ao carregador no gerenciador de energia

▶ O procedimento para estabelecer a conexão com o carregador é descrito no capítulo “Adição de um dispositivo EEBus” nas instruções do aplicativo web do Porsche Home Energy Manager.

### Estabelecendo uma conexão ao gerenciador de energia no carregador

- ✓ O carregador e o gerenciador de energia estão na mesma rede.
- 1. No aplicativo web do carregador, navegue para **Conexões** ► **Gerenciador de energia**.
  - ➔ O gerenciador de energia é exibido na lista **Gerenciadores de energia disponíveis**.
- 2. Selecione e expanda o gerenciador de energia.
- 3. Selecione **Emparelhar dispositivos**.
  - ➔ A conexão é verificada.
- 4. Na caixa de diálogo **Estabelecer conexão**, marque a identidade do gerenciador de energia usando o número de identificação (SKI) mais uma vez, em seguida, selecione **Conectar**.
  - ➔ O gerenciador de energia é conectado com êxito e o status **Gerenciador de energia conectado** é exibido.

As configurações do gerenciador de energia (por exemplo, informações sobre a corrente de carregamento, a proteção de sobrecarga, carregamento otimizado e ajustes de tarifas) são adotadas pelo carregador.

### Desconectando do gerenciador de energia:

1. No aplicativo web do carregador, navegue para **Conexões** ► **Gerenciador de energia**.
  - ➔ O gerenciador de energia conectado é exibido com o status **Gerenciador de energia conectado**.
2. Selecione **Desconectar**.
  - ➔ O carregador está desconectado do gerenciador de energia.

### Emparelhando os perfis de usuário

#### Informações

Para transferir dados para a sua conta do Porsche ID, o dispositivo deve estar conectado à Internet.

Em sua conta Porsche ID, você também pode recuperar informações sobre os processos de carregamento. Para isso, o carregador deve estar emparelhado a um Porsche ID.

1. Selecione o botão **Ligar conta de usuário**.
  - ➔ A caixa de diálogo **Ligar conta de usuário** abre.
2. Dependendo da existência ou não de uma conexão com a Internet, selecione a seguinte opção (consulte "Opções de conexão com a Internet").
3. No site da conta do Porsche ID, insira seus dados de login (Porsche ID, senha).

#### Opções de conexão de Internet

Opção	Explicação
<b>Para My Porsche</b>	<ul style="list-style-type: none"> <li>✓ Aplicativo web conectado à Internet.</li> <li>► Você será redirecionado direto para a sua conta Porsche ID.</li> </ul>
<b>Mais opções</b>	<ul style="list-style-type: none"> <li>✓ Aplicativo web não conectado à Internet.</li> <li>► Se o seu dispositivo móvel tiver uma conexão à Internet, leia o código QR exibido ou insira a URL exibida manualmente em seu navegador.</li> </ul>

### Ajustes Sistema

#### Modo de demonstração

Este ajuste é visível apenas para o usuário Serviço ao cliente. No modo de demonstração, as funções do carregador podem ser exibidas convenientemente e um processo de carregamento simulado. Os ajustes feitos no modo de demonstração não são aplicados.

- ✓ O usuário **Serviço ao cliente** está logado.
- Ative a função.

A próxima vez que você fizer login no aplicativo web, o modo de demonstração será desativado mais uma vez.

#### Mudando a senha

É possível mudar a senha de login para o aplicativo web. A nova senha escolhida substitui a senha inicial da carta que contém os dados de acesso.

- Selecione **Mudar** e insira uma nova senha.

#### Ativando proteção de dispositivo

Uma solicitação PIN protege seu carregador e evita que uma pessoa não autorizada conecte um veículo ao seu carregador.

1. Ative a função.
  2. Insira um PIN de 4 dígitos e confirme.
  3. Insira o PIN novamente e confirme.
    - ➔ A ativação da solicitação de PIN é confirmada.
- Insira este PIN para destravar o carregador.

## Ativando um PIN de convidado

Além disso, você pode criar um PIN de convidado para outro usuário.

- ▶ O procedimento é o mesmo de quando você atribuiu um PIN para proteger o dispositivo.

### Informações

O usuário convidado não conseguirá configurar o carregador.

## Controlando o consumo de energia

Ative o modo de standby para economizar a eletricidade. O modo de Standby inicia assim que o carregamento é encerrado.

- ▶ Ativar **Modo de Standby**.

O dispositivo precisa de algum tempo para sair do modo de standby e ficar pronto para uso mais uma vez.

### Informações

O carregador muda automaticamente para o modo de standby após um longo período de inatividade. Primeiro o brilho da tela é reduzido e, em seguida, a tela é desligada. Pressione o botão Iniciar para dar partida novamente.

## Inserindo um idioma e país

Campo	Explicação
<b>Idioma</b>	Seleciona o idioma para o aplicativo web.
<b>País</b>	O país de uso. Os ajustes de configuração variam dependendo do país. Se você inserir um país que não seja o local de uso real, alguns ajustes talvez não estejam disponíveis.

## Inserindo a data e a hora

Campo	Explicação
<b>Data e hora</b>	Quando houver uma conexão de rede, a data e a hora serão aplicadas automaticamente. <b>Fuso horário:</b> Pode ser selecionado manualmente. <b>Ajustar hora:</b> Insira uma hora, se a hora da rede não estiver disponível como uma referência.

## Unidades

Selecione os parâmetros e as unidades que você deseja que o carregador utilize.

## Visor do dispositivo

Este ajuste determina o brilho do visor do carregador.

## Carregando

### Status da rede elétrica

Este ajuste é visível apenas para o usuário **Serviço ao cliente**. O carregador detecta automaticamente as informações sobre o status da rede elétrica mostrado aqui.

Exibir	Explicação
<b>Fases da rede elétrica</b>	Número de fases no cabo de alimentação.
<b>Tipo de cabo</b>	Tipo de cabo de carregamento do veículo. O tipo de cabo fornece informações importantes para ajustar a corrente de carregamento máxima.
<b>Operação restrita</b>	Esta figura indica quais sensores de potência de carregamento estão restritos devido ao superaquecimento: <ul style="list-style-type: none"> <li>– 0: Superaquecimento do microcontrolador</li> <li>– 1: Superaquecimento do relé</li> <li>– 2: Superaquecimento interno</li> </ul>

Exibir	Explicação
	<ul style="list-style-type: none"> <li>- 3: Superaquecimento do sensor 1 do cabo da infraestrutura</li> <li>- 4: Superaquecimento do sensor 2 do cabo da infraestrutura</li> </ul>

### Monitor de aterramento



Choque elétrico, curto-circuito, incêndio, explosão

O uso do carregador sem o monitor de aterramento ativo pode provocar choques elétricos, curto circuitos, incêndio, explosões ou queimaduras.

- ▶ O carregador deverá ser preferencialmente operado em sistemas de rede elétrica aterrados.
- ▶ Somente desative o monitor de aterramento em sistemas com alimentação de rede elétrica não aterrada.
- ▶ Ative o monitor de aterramento em sistemas com alimentação de rede elétrica aterrada.

Para ativar e desativar o monitor de aterramento ▶ Consulte o capítulo "Ativando e desativando o monitor de aterramento" na página 160.

### Adaptando a corrente de carregamento

Se a corrente de carregamento para o veículo for muito alta, isso pode desarmar o fusível, conduzindo a uma falha de energia na área coberta por esse fusível.

Se um gerenciador de energia for conectado ao carregador, a proteção contra sobrecarga vai monitorar a corrente de carregamento até o carregador. Se nenhum gerenciador de energia estiver disponível na rede doméstica, você deve definir uma corrente máxima para o carregador.

A corrente de carregamento que você insere não deve exceder a corrente de carregamento máxima com a qual a instalação elétrica pode lidar.

Preste atenção ao seguinte ao determinar a corrente de carregamento máxima:

- O tipo de cabo conectado ao carregador
- Outras cargas conectadas a este cabo ou fusível

Informações sobre cabos de alimentação e seu uso em diferentes países Consulte o capítulo "Selecionando cabos de alimentação" na página 150.

### Informações

A potência de carregamento nunca deve ser definida acima da potência máxima disponível no circuito elétrico.

Se você não tiver certeza disso, consulte um eletricitista qualificado.

### Informações

Se um gerenciador de energia estiver conectado, seus ajustes substituirão o valor que você inserir.

- ✓ O cabo do veículo está conectado ao carregador.
- ▶ No aplicativo web, use o controlador para ajustar uma corrente de carregamento máxima e mínima.

## Serviço

### Exibindo informação de dispositivo

Essas informações são baseadas nos dados do carregador, por exemplo, o número de versão, número de série e nome de anfitrião.

Sua Concessionária de serviço Porsche precisará desses dados no caso de uma mensagem de erro.

### Visualizando as informações do tempo de execução total

Exibir	Explicação
<b>Consumo de energia total</b>	Mostra o consumo de energia total deste carregador para todos os processos de carregamento anteriores.
<b>Tempo de carregamento total</b>	Mostra o tempo de carregamento total deste carregador para todos os processos de carregamento anteriores.

### Exibindo o registro de eventos

Este ajuste é visível apenas para o usuário **Serviço ao cliente**. As informações do registro de eventos mostradas aqui estão relacionadas as mensagens de erro que ocorreram durante o teste do sistema. Os registros de eventos ativos e passivos são exibidos. Diferente dos eventos passivos, os eventos ou erros ativos ainda estão persistindo.

- ▶ Selecione o registro apropriado para visualizar as mensagens de erro e os resultados do teste do sistema.

### Instalando atualizações de software

O carregador pesquisa as atualizações de software como padrão e as baixa. Este ajuste determina se as atualizações de software são instaladas automaticamente ou manualmente. **Versão do software:** Mostra a versão do software instalada atualmente.

#### Informações

Para encontrar e baixar as atualizações de software, o carregador deve ter uma conexão à Internet.

### Atualizar automaticamente

Quando esta função está ativada, o carregador instala as atualizações de software automaticamente.

- ▶ Selecione **Atualizações de software automáticas**.

### Atualizar manualmente

Quando uma nova versão de software estiver disponível, aparecerá um aviso no status do dispositivo na vista geral.

- ✓ **Atualizações de software automáticas** está desativado.
- ▶ Selecione **Executar atualização de software** para iniciar instalação.

### Memorizar regulagens

Seus ajustes de configuração e os dados anteriormente inseridos podem ser salvos usando um backup. Com este backup você pode restaurar esses ajustes se necessário, por exemplo, seguindo um reinício com ajustes de fábrica. Os backups são criados manualmente no aplicativo web.

Nenhuma senha ou dado pessoal, como a história de carregamento, é armazenada no backup.

### Criando um backup

Com backup manual, os dados são armazenados em seu dispositivo.

- ✓ Seu dispositivo e o carregador estão localizados na mesma rede.

1. Selecione **Exportar**.
2. Navegue até o local do armazenamento.
3. Salve o arquivo de backup.

**Atribuir senha:** Insira uma senha.

A senha protege seus dados e deve ser inserida quando você importa ou restaura o backup.

### Restaurando um backup

É possível importar um arquivo de backup salvo do seu dispositivo para o carregador.

- ✓ Seu dispositivo e o carregador estão localizados na mesma rede.

1. Selecione o botão **Importar**.
2. Navegue até o arquivo de backup e selecione-o.
3. Insira a senha que você usou para salvar o arquivo de backup.

### Redefinindo os ajustes de fábrica

Se você ativar esta função, todos os dados pessoais e configurações, por exemplo, história de carregamento e ajustes de rede, serão excluídos. Além disso, todas as senhas serão redefinidas para as senhas iniciais indicadas na carta que contém os dados de acesso.

- ▶ Ativar **Reiniciar com ajustes de fábrica**.

Para criar o backup Consulte o capítulo "Serviço" na página 167.

#### Informações

Se os ajustes forem reiniciados para o estado de fábrica, o assistente de configuração ajudará você com os ajustes de carregador mais importantes na próxima vez em que você der partida.

## Base de carregamento

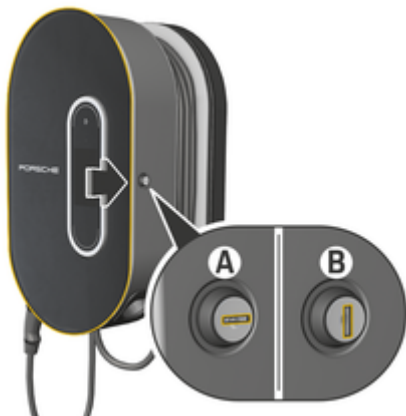


Fig. 72: Base de carregamento

### Abrindo a base de carregamento

- ▶ Pressione a porta da base de carregamento na **direção da seta**. A porta se abre automaticamente.

### Fechando a base de carregamento

- ▶ Feche a porta da base de carregamento e pressione na **direção da seta**.

### Bloquear a base de carregamento

- ▶ Coloque a trava na posição **A** (Fig. 72).

### Destramamento da base de carregamento

- ▶ Coloque a trava na posição **B** (Fig. 72).

## Fixando a unidade de comando à base de carregamento e removendo-a da base de carregamento

### NOTA

Danos ao carregador

- ▶ Sempre mantenha as portas fechadas.
- ▶ Não coloque objetos na porta ou na base de carregamento.

## Prendendo a unidade de comando na base de carregamento

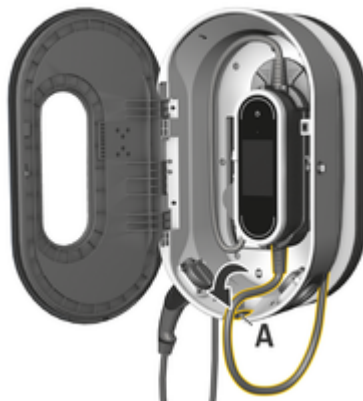


Fig. 73: Prendendo a unidade de comando

1. Abra a porta da base de carregamento.
2. Posicione a unidade de comando abaixo das linguetas de trava da base de carregamento e engate na parte traseira.

3. Direcione o cabo do veículo pela abertura **A** (Fig. 73) e enrole qualquer excesso de cabo ao redor da base de carregamento.
4. Insira o cabo de alimentação na tomada elétrica.
5. Feche a porta da base de carregamento.

## Removendo a unidade de comando da base de carregamento

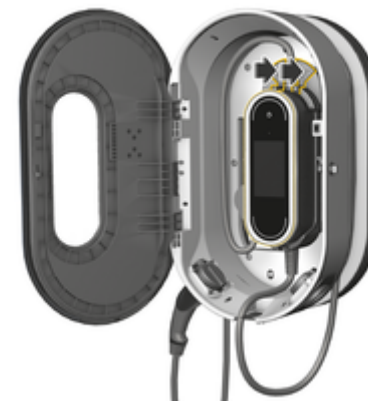
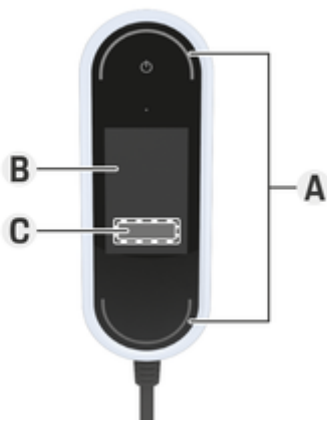


Fig. 74: Prendendo a unidade de comando

1. Abra a porta da base de carregamento.
2. Desconecte o cabo de alimentação da tomada elétrica.
3. Desenrole o cabo do veículo completamente da base de carregamento.
4. Desprenda a unidade de comando do suporte pressionando o interruptor de liberação (seta) e remova.

## Defeitos



- A** LEDs de status acendem em vermelho
- B** Mensagem de erro e causa
- C** Solução

Em caso de falhas ou defeitos, o carregador exibe uma mensagem correspondente no visor. Os LEDs de status e o botão de Energia acendem em vermelho. A mensagem mostra detalhes do erro, informações sobre a causa e uma medida corretiva.

- ▶ Siga as instruções fornecidas para a medida corretiva.

**NOTA**

Danos ao carregador

- ▶ Se uma falha persistir ou recorrer, desconecte o carregador da alimentação da rede elétrica e entre em contato com um electricista qualificado. A Porsche recomenda que você utilize uma Concessionária Porsche.

A visão geral a seguir contém recomendações para lidar com defeitos que restringem ou impedem o carregamento do veículo.

Fig. 75: Exibição de defeitos

Situação	Ação recomendada
O visor (tela, LEDs de status, botão de Energia) parou de funcionar completamente.	<ul style="list-style-type: none"> <li>▶ Desconecte o carregador da alimentação da rede elétrica e faça com que seja substituído.</li> <li>▶ Faça com que a instalação doméstica seja verificada por um electricista qualificado.</li> </ul>
O visor fica em branco, os LEDs de status não mudam de cor e o botão de Energia acende em vermelho.	<ul style="list-style-type: none"> <li>▶ O carregador está superaquecido. Desconecte o carregador da rede elétrica e deixe-o esfriar lentamente.</li> <li>▶ Se o erro persistir, faça com que o carregador seja substituído.</li> </ul>



Situação	Ação recomendada
Operação restringida ou carregamento não possível (mensagem no visor).	<ul style="list-style-type: none"> <li>▶ Certifique-se de que o cabo de alimentação e o cabo do veículo estão conectados à unidade de comando no lado correto e conectados nas conexões corretamente.</li> <li>▶ Certifique-se de que o carregador esteja dentro da faixa de temperatura permitida. <ul style="list-style-type: none"> <li>▷ Consulte o capítulo "Dados técnicos" na página 175.</li> </ul> </li> <li>▶ Confirme qualquer mensagem de erro exibida.</li> <li>▶ Reinicie o carregador. Pressione o botão de energia por no mínimo 10 segundos para reiniciar.</li> </ul>
A corrente de carregamento está muito baixa (mensagem no visor).	<ul style="list-style-type: none"> <li>▶ A rede doméstica está sobrecarregada. Desligue outras cargas elétricas mais altas.</li> </ul>
A tensão da rede elétrica está muito alta (mensagem no visor).	<ul style="list-style-type: none"> <li>▶ Faça com que a instalação doméstica seja verificada por um electricista qualificado.</li> </ul>
O carregador não está dentro da faixa de temperatura permitida (mensagem no visor).	<ul style="list-style-type: none"> <li>▶ Desligamento por temperatura do dispositivo: Evite luz solar direta e deixe o carregador esfriar lentamente.</li> <li>▶ Desligamento por temperatura baixa: Deixe o carregador aquecer em um ambiente aquecido antes de utilizá-lo.</li> <li>▶ Sensor temperatura do dispositivo com defeito: Substitua o carregador.</li> </ul>
O disjuntor na configuração doméstica foi acionado (mensagem no visor).	<ul style="list-style-type: none"> <li>▶ Reduza a corrente de carregamento nos ajustes no carregador.</li> <li>▶ Confirme qualquer mensagem de erro exibida.</li> </ul>
Uma interrupção do carregamento é exibida: <ul style="list-style-type: none"> <li>▶  botão Ligar acende em branco.</li> <li>▶  LEDs de status piscam azuis.</li> <li>▶ O visor é ativado.</li> </ul>	<ul style="list-style-type: none"> <li>▶ Espere até o veículo começar a carregar de novo automaticamente.</li> <li>▶ O carregamento pode ser interrompido no veículo.</li> </ul>

### Transporte

**AVISO**

Carga solta

Um carregador solto, preso incorretamente ou posicionado incorretamente pode sair do lugar e colocar em perigo os ocupantes do veículo em caso de frenagem, aceleração, mudanças de sentido ou acidentes.

- ▶ Nunca transporte o carregador solto.
- ▶ Sempre transporte o carregador no porta-malas e nunca no compartimento de passageiros (por exemplo, em cima ou na frente dos bancos).

#### Prendendo o carregador para transporte

O carregador é fornecido com ou sem um estojo de transporte, dependendo do tipo de veículo.

- ▶ Se um estojo de transporte foi fornecido: Sempre guarde e transporte o carregador no estojo. Prenda a caixa de transporte nos anéis de amarração dianteiros e traseiros com ganchos.  
Para obter informações sobre os anéis de amarração no porta-malas:
  - ▷ Consulte o Manual do proprietário.
- ▶ Se um estojo de transporte não foi fornecido: Guarde o carregador no porta-malas traseiro para transporte.
- ▶ Dependendo do tipo de veículo, guarde o carregador de forma que não coloque nenhum ocupante em situações perigosas.

## Limpeza e manutenção

Verifique o carregador quanto a danos e sujeira em intervalos regulares e limpe-o se necessário.



**PERIGO**

Choque elétrico, incêndio

Risco de ferimentos sérios ou fatais devido a incêndio ou choque elétrico.

- ▶ Nunca mergulhe o carregador ou os conectores na água e não pulverize-os diretamente com água (por exemplo, com equipamentos de lavagem de alta pressão ou mangueiras de jardim).
- ▶ Só limpe o carregador quando a unidade de comando estiver totalmente desconectada da alimentação da rede elétrica e do veículo. Use um pano seco para limpeza.

### Descarte

Dispositivos elétricos/eletrônicos devem ser entregues em um ponto de coleta ou uma instalação de gerenciamento de resíduos.

- ▶ Não jogue dispositivos elétricos/eletrônicos junto com o lixo doméstico.
- ▶ Descarte de dispositivos elétricos/eletrônicos de acordo com as regulamentações de proteção ambiental aplicável.
- ▶ Se você tiver perguntas sobre o descarte, entre em contato com uma Concessionária Porsche.

## Dados técnicos

Dados elétricos 9Y0.971.675...	BE MCC72E2 A <sup>1)</sup>	BG MCC11E3 A <sup>1)</sup>	BJ MCC22E3 A <sup>1)</sup>
Potência de saída	<b>7,2 kW</b>	<b>11 kW</b>	<b>22 kW</b>
Corrente nominal	16 A, bifásica 32 A, monofásica	16 A, trifásica	32 A, trifásica
Tensão da rede elétrica	100 – 240V/400V	100 – 240/400V	100 – 240/400V
Fases	2/1	3	3
Frequência da rede elétrica	50 Hz/60 Hz	50 Hz/60 Hz	50 Hz/60 Hz
Categoria de sobretensão (IEC 60664)	II	II	II
Dispositivo de corrente residual inte- grado	Tipo A (CA: 30 mA) + CC: 6 mA	Tipo A (CA: 30 mA) + CC: 6 mA	Tipo A (CA: 30 mA) + CC: 6 mA
Classe de proteção	I	I	I
Classificação de proteção	IP55 (EUA: Enclosure 3R)	IP55 (EUA: Enclosure 3R)	IP55 (EUA: Enclosure 3R)
Bandas de frequência de transmissão	2,4 GHz, 5 GHz	2,4 GHz, 5 GHz	2,4 GHz, 5 GHz
Potência de transmissão	20 dBm	20 dBm	20 dBm
Dados mecânicos 9Y0.971.675...	BE MCC72E2 A <sup>1)</sup>	BG MCC11E3 A <sup>1)</sup>	BJ MCC22E3 A <sup>1)</sup>
Peso da unidade de comando	2,54 kg		
Comprimento do cabo do veículo	2,5 m ou 7,5 m		
Comprimento do cabo de alimentação	0,9 m		

## Dados técnicos

Dados mecânicos do suporte para parede básico 9Y0.971.675...	BE MCC72E2 A <sup>1)</sup>	BG MCC11E3 A <sup>1)</sup>	BJ MCC22E3 A <sup>1)</sup>
Dimensões do suporte básico para parede	385 mm x 135 mm x 65 mm (comprimento x largura x altura)		
Peso do suporte de parede básico	aproximadamente 0,45 kg		
Dimensões da passagem do cabo	127 mm x 115 mm x 139 mm (comprimento x largura x altura)		
Peso da passagem do cabo	aproximadamente 0,42 kg		
Dimensões do prendedor do conector	136 mm x 50 mm x 173 mm (comprimento x largura x altura)		
Peso do prendedor do conector	aproximadamente 0,14 kg		
Peso do suporte básico para parede completo	aproximadamente 1 kg		

<sup>1)</sup> A indica que o design está sendo alterado e pode ser qualquer letra.

Dados mecânicos da base de carregamento 9Y0.971.675...	BE MCC72E2 A <sup>1)</sup>	BG MCC11E3 A <sup>1)</sup>	BJ MCC22E3 A <sup>1)</sup>
Dimensões da base de carregamento	373 mm x 642 mm x 232 mm (largura x altura x profundidade)		
Peso da base de carregamento	aproximadamente 9,7 kg		

Condições do ambiente e de armazenamento 9Y0.971.675...	BE MCC72E2 A <sup>1)</sup>	BG MCC11E3 A <sup>1)</sup>	BJ MCC22E3 A <sup>1)</sup>
Temperatura ambiente	-30 °C a +50 °C		
Umidade do ar	5% – 95%, sem condensação		
Altitude	máx. 5.000 m acima do nível do mar		

<sup>1)</sup> A indica que o design está sendo alterado e pode ser qualquer letra.



03725-21-12707

Este equipamento opera em caráter secundário, isto é, não tem direito à proteção contra interferência prejudicial, mesmo de estações do mesmo tipo, e não pode causar interferência a sistemas operando em caráter primário. Para mais informações, consulte o site da ANATEL [www.anatel.gov.br](http://www.anatel.gov.br)

## Placa de identificação

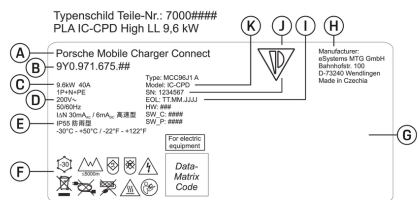


Fig. 76: Plaqueta de identificação (exemplo)

- A** Nome do produto
- B** Número do item
- C** Potência e corrente nominal
- D** Tensão da rede elétrica
- E** Classificação de proteção
- F** Pictogramas para operação
- G** Informações sobre certificação
- H** Fabricante

- I** Data de fabricação
- J** Número de série
- K** Designação do tipo

## Informações de produção

### Data de fabricação

A data de manufatura do carregador pode ser encontrada na plaqueta de identificação após a abreviação "EOL i.O."

Ela é mostrada no seguinte formato: Dia de produção.Mês de produção.Ano de produção

### Fabricante do carregador

eSystems MTG GmbH  
Bahnhofstraße 100  
73240 Wendlingen  
Alemanha

### Testes elétricos

Em caso de dúvidas sobre testes elétricos regulares da infraestrutura de carregamento (por exemplo, VDE 0702), consulte <https://www.porsche.com/international/accessoriesandservice/porscheservice/vehicleinformation/documents/> ou entre em contato com uma concessionária Porsche.

### Declaração de conformidade

O carregador possui um sistema de rádio. O fabricante desses sistemas de rádio declara que esse sistema de rádio está em conformidade com as especificações para seu uso de acordo com a Diretiva 2014/53/UE.

O texto completo da declaração de conformidade da UE está disponível no seguinte endereço web:

▷ <http://www.porsche.com/international/accessoriesandservice/porscheservice/vehicleinformation/documents>

## Importadores

### Abu Dhabi: Ali & Sons Co. L.L.C

Porsche Centre Abu Dhabi  
Zayed 2nd Street  
Abu Dhabi

United Arab Emirates  
P.O. Box 915  
Telefone: +971 2 619 3911

### Dubai: Al Nabooda Automobiles L.L.C

Porsche Centre Dubai  
Sheikh Zayed Road E11  
Dubai

United Arab Emirates  
P.O. Box 10773  
Telefone: +971 4 305 8555

**Great Britain**

Singapore 069046



Porsche Cars Great Britain Ltd.

Bath Road

Calcot, Reading, Berkshire

RG31 7SE

United Kingdom

**Russland**

Porsche Russia

Ленинградское шоссе дом 71А, строение 10

125445, Москва, Россия

Telephone: +7-495-580-9911

**Singapur: Porsche Singapore**

Porsche Asia Pacific Pte Ltd

20 McCallum Street #12-01

Tokio Marine Centre



## Índice

## A

Adaptando a corrente de carregamento.....	156
Ajustando a doca de carregamento	
Ajustando com espaçador.....	148
Ajustando sem espaçadores.....	149
Aplicativo web	
Abrindo.....	161
Hotspot.....	161
por Comissionamento.....	156
WiFi.....	161
Aplicativo Web	
Dados de acesso.....	143
Mudar senha.....	143
Perda da senha.....	143
Senha inicial.....	143
Assistente de configuração.....	157
Atualização de software.....	155
Aviso de proteção de dados.....	139

## B

Base de carregamento.....	169
Abrindo.....	169
Destravando.....	169
Fechando.....	169
Travar.....	169

## C

Cabo de alimentação	
Soquete de bateria doméstico.....	151
Soquete do conector da linha.....	151
Cabo de carga	
para cabos e tipos de conector.....	150
Cabo de carregamento do veículo	
para cabos e tipos de conector.....	150
Cabos	
Desconectando.....	154
Prendendo.....	154

Cabos de alimentação.....	150
Carregador	
Conectando.....	162
Picogramas.....	139
Potência de carregamento.....	157
Status de carga.....	157
Status do dispositivo.....	157

Carregador/Senha	
inicial.....	142
Carregando	
Partida.....	159
Pausar.....	159
Terminando.....	159

Conexões	
botão de emparelhamento PLC.....	155
Código de segurança PLC.....	155
Gerenciador de energia.....	156
Hotspot.....	156
WiFi.....	155

Configurando um endereço IPv4.....	163
Configurando um servidor DNS.....	163
Configurando uma solicitação de PIN.....	156
Consumo de energia durante o processo de carregamento.....	157

Consumo de energia total	
Sessão de carregamento atual.....	157

## D

Dados de acesso.....	142
Dados de acesso perdidos.....	142
Dados técnicos	
Condições ambientais e de estoque.....	175
Dados elétricos.....	175
Dados mecânicos.....	175
Data de fabricação.....	177
Declaração de conformidade.....	177
Defeitos.....	170
Descarte.....	174

## E

Emparelhando a Porsche ID.....	156
Emparelhando os perfis de usuário.....	156, 165
Endereço IP.....	163
Escopo do fornecimento.....	142

Estabelecendo conexões de rede	
Hotspot.....	163
Powerline Communication (PLC).....	164
WiFi.....	163
Estrutura dos alertas.....	137

Exibir	
Barra de menus.....	145
Barra de status.....	144
Idioma e país.....	155
Navegar.....	145
Exportando a história de carregamento.....	163

## F

Fabricante.....	177
Fazendo login no carregador.....	157
Ferramentas.....	147
Ferramentas necessárias.....	147

## G

Gerenciador de energia.....	156
Adaptando a corrente de carregamento.....	156
Adicionar.....	164
Emparelhar.....	164

## H

Hotspot.....	156
Configuração.....	163

## I

Idioma e país.....	155
Importadores.....	177
Informações de produção.....	177
Inicialização.....	155

## Índice

Inserindo em uma conta.....	165
Instalando o prendedor do conector.....	147
Instalando o suporte básico para parede.....	147
Instruções de operação.....	158
Instruções de segurança.....	140

## L

Limitação da corrente de carregamento.....	159
Limpando.....	173

## M

Mais informações.....	139
Monitor de aterramento	
Ativando.....	161
Desativando.....	160
Mudar PIN	
senha PUK.....	143

## N

Nome de anfitrião.....	163
Número de série.....	177
Dados de acesso do carregador.....	143
Número de série do carregador.....	143
Número do item do carregador.....	175

## O

Opções de controle.....	145
-------------------------	-----

## P

Para o Manual do proprietário	
Aviso de proteção de dados.....	139
Mais informações.....	139
Pictogramas.....	139
Placa de identificação.....	177
Porsche ID.....	143
Porta de carga do veículo.....	158
Potência de carregamento	
Vendo.....	157

Prendendo a unidade de comando na base de carregamento.....	169
Prendendo para transporte.....	172
Processo de carregamento	
Consumo de energia.....	163
Vendo.....	163
Proteção do dispositivo.....	156

## R

Rede doméstica.....	155
Endereço IP.....	163
Nome de anfitrião.....	163
Rede WiFi	
Conectando.....	163
Desconectando.....	163
Gerenciando.....	163
Rede desconhecida.....	163
Removendo a unidade de comando da base de carregamento.....	169

## S

Selecionando o local de instalação.....	146
Selecionando uma rede.....	155
Serviço.....	173
Sessão de carregamento atual.....	157
Símbolos neste Manual do proprietário.....	137
Status de carga.....	157

## T

Tempos de carregamento.....	159
Transmissão de dados.....	155
Transporte, prendendo o carregador.....	172
Trocando cabos de alimentação e cabos do veículo	
.....	153

## U

Unidade de comando.....	144
Exibir.....	144
Fixando ao suporte para parede.....	148
Visão geral das conexões.....	143
Uso adequado.....	141

## V

Venda do carregador.....	143
--------------------------	-----

## Bu Sürücü El Kitabı hakkında

### Uyarılar ve semboller

Bu Sürücü El Kitabı'nda, farklı tiplerde uyarı ve semboller kullanılmıştır.



**TEHLİKE**

Ciddi yaralanma ya da ölüm tehlikesi

"Tehlike" kategorisindeki uyarılara uyulmaması, ciddi yaralanma ya da ölümlü sonuçlanır.



**UYARI**

Muhtemel yaralanma ya da ölüm tehlikesi

"Uyarı" kategorisindeki uyarılara uyulmaması, ciddi yaralanma ya da ölümlü sonuçlanabilir.



**DİKKAT**

Ufak ya da orta seviyeli yaralanma tehlikesi

"Dikkat" kategorisindeki uyarılara uyulmaması, ufak ya da orta dereceli yaralanmalarla sonuçlanabilir.

**NOT**

Aracın hasar görme tehlikesi

"Not" kategorisindeki uyarılara uyulmaması aracın zarar görmesiyle sonuçlanabilir.



**Bilgi**

Ek bilgiler, "Bilgi" sözcüğü kullanılarak belirtilir.

- ✓ Bir fonksiyonun kullanılabilmesi için karşılanması gereken koşulları belirtir.
- ▶ Uygulamanız gereken talimatları belirtir.

1. Bu talimatlar birden fazla aşamaya sahipse bu aşamalar numaralandırılmıştır.

2. Orta ekranda yer alan ve uygulamanız gereken talimatlar.

▶ Konuyla ilgili önemli bilgilere ulaşabileceğiniz yeri belirtir.

## İçindekiler

### Deutsch

#### Sürücü El Kitabı için

Piktogram açıklaması.....	183
Veri gizliliği bilgileri.....	183
Daha Fazla Bilgi.....	183

#### Güvenlik

Güvenlik talimatları.....	184
Uygun kullanım.....	185

#### Paket içeriği

Erişim verileri.....	186
----------------------	-----

#### Genel bakış

Kontrol ünitesindeki bağlantılar.....	187
Şarj kontrol ünitesi.....	188
Ekran paneli ekranları ve kumandalar.....	188

Kurulum yerinin seçilmesi.....	190
--------------------------------	-----

Gerekli aletler.....	191
----------------------	-----

#### Montaj

Duvar ünitesinin montajı.....	191
Ara parça olmadan kurulum.....	192
Ara parça ile kurulum.....	193

#### Ayarlar

Araç şarj kabloları ve besleme kabloları.....	193
İlk çalıştırma ve yapılandırma.....	198
Web uygulaması ile işleme alma.....	200
Şarj cihazında oturma açma.....	200
Şarj cihazında kurulum işleminin başlatılması.....	200
Genel bakış.....	200

#### Kullanım

Kullanım talimatları.....	201
Şarj etme.....	202
Web uygulamasında oturma açma.....	204

Web uygulamasını kullanma.....	205
Şarj kaidesi.....	211

Anzalar.....	213
--------------	-----

Taşıma.....	215
-------------	-----

Temizlik ve bakım.....	216
------------------------	-----

İmha.....	217
-----------	-----

#### Teknik veriler

Tanımlama plakası.....	220
Üretim hakkında bilgiler.....	220
İthalatçılar.....	220

Dizin.....	222
------------	-----

## Sürücü El Kitabı için Piktogram açıklaması

Ülkeye bağlı olarak, şarj cihazı üzerinde farklı uyarı işaretlerine yer verilebilir.



Şarj cihazını -30°C ila +50°C arasında kullanın.



Şarj cihazı 5.000 m üzerindeki rakımlarda kullanılmamalıdır.



Şarj cihazı anahtarlamaz koruyucu iletkene donatılmıştır.



Şarj cihazı anahtarlamalı koruyucu iletkene donatılmıştır.



Şarj cihazını, geçerli tüm imha düzenlemelerine uygun biçimde imha edin.



Uzatma kabloları veya kablo makaraları kullanmayın.



(Seyahat) adaptörü kullanmayın.



Çoklayıcı prizler kullanmayın.



Elektronik sistemi veya bağlantı kabloları zarar görmüş şarj cihazlarını kullanmayın.



Hatalı kullanım nedeniyle elektrik çarpmaya tehlikesi vardır.



Özellikle uyarılar ve güvenlik talimatları olmak üzere, verilen kullanım kılavuzuna uyun.



Şarj cihazının yüzeyi çok ısınabilir.



Şarj cihazını topraklama bağlantısı olmayan şebeke sistemlerinde kullanmayın (örneğin, BT ağları). Şarj cihazını sadece topraklanmış şebeke sistemlerinde çalıştırın.



Şarj cihazını sadece tek fazlı şebekelerde çalıştırın.



Şarj cihazı bir alternatif akım beslemesi gerektirir.



Voltaj aralığı  $\leq 250$  VAC olan tip 1 fişini belirtir.



Voltaj aralığı  $\leq 480$  VAC olan tip 2 fişini belirtir.

### Veri gizliliği bilgileri

Porsche şarj donanımınızın doğru şekilde iletişim kurduğundan ve daima güncel olduğundan emin olmak için Porsche, şarj donanımından düzenli olarak aşağı-

daki şifrelenmiş cihaza özgü verileri toplar ve işler: cihaz kimliği, marka, nesil, cihaz tipi ve yazılım versiyonu.

Şarj donanımı için diğer Porsche Connect hizmetlerini kullanma seçeneğine sahip olmak istiyorsanız, şarj donanımınızı belirli pazarlarda Porsche Connect distribütörleri tarafından verilen Porsche ID hesabınızla eşleştirmeniz gereklidir. Porsche Connect hizmetlerini kullanırken, bu hizmetlerin sağlanabilmesi için Porsche şu kişisel bilgileri ve diğer cihaza özgü verileri toplar ve işler: müşteri tanımlaması, istatistikler, şarj işlemi bilgileri, durum, bağlantı durumu ve son iletişimin zaman etiketi. Genel hükümler ve koşullar ve veri gizliliği politikası hakkında daha fazla bilgiyi [www.porsche.com/connect-store](http://www.porsche.com/connect-store) adresinde bulabilirsiniz.

Şarj donanımınızdan düzenli veri transferi, internet servis sağlayıcınızın ek ücretlendirme uygulamasına neden olabilir. Porsche tarafından saklanan verileriniz, My Porsche kullanılarak kalıcı olarak silinebilir. Teknik veya yasal kısıtlamalar nedeniyle, Porsche şarj donanımıyla ilişkili bazı Porsche Connect hizmetleri her ülkede kullanılamayabilir.

### Daha Fazla Bilgi

Şarj cihazı ve Web uygulaması hakkında daha fazla bilgiyi <https://www.porsche.com> adresinde "E-Performans" alanında bulabilirsiniz.

## Güvenlik

## Güvenlik talimatları

## ⚠ TEHLİKE

Elektrik çarpması, kısa devre, yangın, patlama

Hasarlı veya kusurlu bir şarj cihazının ve hasarlı veya kusurlu bir elektrik prizinin kullanılması, şarj cihazının yanlış kullanılması veya güvenlik talimatlarına uyulmaması, kısa devrelere, elektrik çarpmalarına, patlamalara, yangına veya yanıklara neden olabilir.

- ▶ Yalnızca Porsche tarafından sağlanan ve onaylanan aksesuarlar (örneğin, güç kaynağı ve araç kabloları) kullanın.
- ▶ Hasarlı ve/veya kirli bir şarj cihazını kullanmayın. Kullanmadan önce lütfen kablunun ve fiş bağlantısının hasarsız ve temiz olduğunu kontrol edin.
- ▶ Şarj cihazını yalnızca kurulumu uygun şekilde yapılmış ve hasarsız prize ve sorunsuz elektrik tesisatlarına bağlayın.
- ▶ Uzatma kabloları, kablo makaraları, çoklu priz veya (dönüştürücü) adaptörler kullanmayın.
- ▶ Fırtınalı havalarda şarj cihazını şebeke elektriğinden ayırın.
- ▶ Hiçbir elektrikli parçada tadilat veya onarım yapmayın.
- ▶ Arıza giderme ve onarım işlemleri yalnızca uzmanlar tarafından gerçekleştirilmelidir.

## ⚠ TEHLİKE

Elektrik çarpması, yangın

Kurulumu hatalı yapılmış prizler, yüksek voltajlı batarya araç şarj portu kullanılarak şarj edilirken elektrik çarpmasına veya yangına neden olabilir.

- ▶ Şarj cihazının elektrik prizi için güç kaynağı testi ve kurulumu ve ilk çalıştırma işlemi, yalnızca yetkili bir elektrik teknisyeni tarafından gerçekleştirilmelidir. İlgili standartlara ve düzenlemelere uyum sağlanmasından tamamen bu kişi sorumludur. Porsche, yetkili bir Porsche yetkili servislerini tercih etmenizi önerir.
- ▶ Priz için elektrik kablosunun kesiti, kablo uzunluğuna ve geçerli yerel düzenlemelere ve standartlara göre belirlenmelidir.
- ▶ Şarj için kullanılan priz, yerel yasalara ve standartlara uygun ayrı bir sigortaya sahip olmalıdır.
- ▶ Şarj cihazı, hususi ve yarı kamusal alanlarda kullanım için tasarlanmıştır (örneğin, ev, şirket otoparkları). Bazı ülkelerde (örneğin İtalya ve Yeni Zelanda), mod 2 şarj işleminin kamusal alanlarda kullanılması **yasaktır**.
- ▶ Yetkisiz kişilerin (örneğin çocuklar) veya hayvanların şarj cihazına ve gözetimsiz şarj sırasında araca erişimi engellenmelidir.
  - ▶ Mutlaka kurulum talimatları ve sürücü kılavuzundaki güvenlik talimatlarını okuyun.

## ⚠ TEHLİKE

Elektrik çarpması, yangın

Fişin hatalı kullanılması, elektrik çarpmasına veya yangına neden olabilir.

- ▶ Araç şarj portundaki ve şarj cihazındaki kontaklara dokunmayın.
- ▶ Araç şarj portuna veya şarj cihazına herhangi bir nesne sokmayın.
- ▶ Prizleri ve fiş bağlantılarını nemden, sudan ve diğer sıvılardan koruyun.

## ⚠ UYARI

Yanıcı veya patlayıcı buhar

Şarj cihazının bileşenleri, kıvılcım üreterek yanıcı veya patlayıcı buharı ateşleyebilir.

- ▶ Özellikle garajlarda patlama riskini azaltmak için, kontrol ünitesinin şarj sırasında zeminden en az 50 cm yukarıda bulunduğundan emin olun.
- ▶ Şarj cihazını patlama tehlikesi olan ortamlara kurmayın.

Yalnızca Endonezya için



Dilarang melakukan perubahan spesifikasi yang dapat menimbulkan gangguan fisik dan/atau elektromagnetik terhadap lingkungan sekitar

Elektromanyetik radyasyona maruz kalma sınırı gerekliliklerini (1999/519/AT) karşılamak için şarj cihazını tüm insanlar ile arasında en az 20 cm mesafe olacak şekilde kurun.

Şarj cihazı ile kesintisiz şarjı garanti edebilmek için aşağıdaki talimatlara ve önerilere uyun:

- Prizin yeni kurulumu sırasında, mümkün olan en yüksek gücü sağlayan sanayi tipi prizi seçin (ev tipi elektrik tesisatına uyarlanmıştır) ve ilk çağıştırma işlemini yetkili bir elektrik teknisyenine yaptırın. Porsche, yetkili bir Porsche Servis Ortağını tercih etmenizi önerir.
- Teknik olarak mümkünse ve yasalar izin veriyorsa elektrik tesisatı araç şarj edilirken prizin maksimum nominal gücünün kullanılacağı şekilde boyutlandırılmalıdır.
- Kurulmadan önce, bir aracı şarj etmek için gerekli elektriğin mevcut ev elektrik tesisatı tarafından kesintisiz biçimde sağlanabileceğinden emin olun. Gerekirse elektrik tesisatını bir güç yönetim sistemi ile korumaya alın.
- Şarj cihazı, tercihen topraklanmış şebeke sistemlerinde kullanılmalıdır. Koruyucu iletken uygun şekilde kurulmalıdır.
- Ev tipi elektrik tesisatınızın ne tür gereklilikleri karşıladığından emin değilseniz, kalifiye bir elektrik teknisyeni ile görüşün. Porsche, yetkili bir Porsche Servis Ortağını tercih etmenizi önerir.
- Şarj cihazını bir fotovoltaik sistem ile birlikte kullanmayı düşünüyorsanız, bir Porsche ortağı ile görüşün.
- Şarj cihazından en iyi şekilde faydalanabilmek ve aracın hızlı biçimde şarj edilmesini sağlamak için IEC 60309 standardına göre elektrik fişi için uygun en yüksek akım değerine sahip NEMA elektrik prizlerini veya endüstriyel elektrik prizlerini kullanın.
- Yüksek voltajlı batarya ev/sanayi tipi priz üzerinden şarj edilirken, elektrik tesisatı maksimum kapasitesine kadar yüklenebilir. Porsche, şarj için kullanılan elektrik tesisatını düzenli olarak kalifiye

bir elektrik teknisyenine kontrol ettirmenizi önerir. Tesisatınız için uygun kontrol aralıklarının tespiti için yetkili bir elektrik teknisyeni ile görüşün. Porsche, yetkili bir Porsche Servis Ortağını tercih etmenizi önerir.

- Teslimatta, elektrik tesisatının aşırı ısınmasının önlenmesi için şarj akımı otomatik olarak kısıtlanır. Şarj cihazını kullanıma alma ve şarj cihazını ev tesisatı için gerekli akım sınırına ayarlama işlemlerini kalifiye bir elektrik teknisyenine yaptırın.
  - Bkz. sayfa 203, bölüm "Şarj akımını sınırlama".

## Uygun kullanım

Genel olarak geçerli standartları ve elektrikli araç di-  
rektiflerini karşılayan yüksek voltajlı bataryaya sahip araçların şarj modu 2'de şarj edilmesi ve entegre kontrolü şarj cihazı için şarj cihazı kullanımı.

- ▶ Daima yerel şebeke için uygun cihaz versiyonunu kullanın.
  - Bkz. sayfa 218, bölüm "Teknik veriler".

Şarj cihazı sadece besleme kabloları, kontrol ünitesi ve araç kablosundan oluşan kombine bir ünite olarak kullanılabilir.

Dış mekanda kullanım için uygundur.

## Paket içeriği



Res. 77: Paket içeriği

- A** Kablo (kontrol ünitesine bağlanabilir)
- B** Şebekeye bağlantı fişi
- C** Kontrol ünitesi
- D** Araç fişi (araç için konektör fişi)
- E** Araç kablosu (ülkeye bağlı olarak değişebilecek çıkarılabilir veya kontrol ünitesine sabitlenmiş)
- F** Erişim verilerini içeren zarf

### **i** Bilgi

Opsiyonel bileşenler: Şarj cihazı için ülkeye bağlı olarak temel duvar ünitesi veya şarj kasesi gibi çeşitli duvar üniteleri mevcuttur.

## Erişim verileri

Cihazınızla birlikte, şarj cihazı ve Web Application için gerekli tüm verileri içeren bir erişim bilgileri mektubu alacaksınız.

- ▶ Erişim verileri zarfını güvenli bir yerde muhafaza edin.

### **i** Bilgi

Cihazınızın teslimatında, varsayılan PIN ve başlangıç parolası gibi geçerli olan erişim verilerini kaybetmeniz durumunda lütfen Porsche ortağı ile görüşün.

- Şarj cihazının seri numarasını bulundurun.
  - ▶ Bkz. sayfa 187, bölüm “Şarj cihazının seri numarası”.

Erişim verilerini zarfta aşağıdaki verilere yer verilir:

Tanım	Anlamı
Seri numarası	Şarj cihazının seri numarası
WiFi MAC	WiFi arayüzünün MAC adresi
GRID MAC	Yerel PLC arayüzünün MAC adresi
Araç MAC	Araç PLC arayüzünün MAC adresi
WiFi SSID	– WiFi erişim noktasının SSID bilgisi – Sunucu adı
WiFi PSK	Ağ anahtarı

Tanım	Anlamı
Ev kullanıcısı parolası	Ev kullanıcısı için Web Uygulaması başlangıç parolası
Müşteri hizmetleri parolası	Müşteri Hizmetleri web uygulaması için ilk parola
PIN	Kişisel tanımlama numarası
PUK	Kişisel kilit açma anahtarı

### **i** Bilgi

**Sunucu adı** aşağıdaki unsurlardan oluşur:

Şarj Cihazı+Seri numarası (örnek: MobileChargerConnect-1234567)

### **i** Bilgi

Güvenlik alanı gerekli erişim kodlarını (PIN ve PUK) içerir. Bu alanda kodlar özel bir boyayla kaplanmıştır. Bu alan, akan suyun altında ıslatıldığında mürekkep boya solar ve kodlar görülür.

Kodlar zarar görebileceğinden, bu alanı ıslatırken ovalamayın veya kazımayın.



## PIN ve PUK

PIN ve PUK, şarj cihazının kilidini açmak için kullanılır.

- ▶ Kendiniz belirlediğiniz bir PIN kodunu kaybetmeniz veya unutmanız durumunda şarj cihazı PUK kodu girilip yeni bir PIN kodu belirlenerek açılabilir.
- ▶ PUK kodunuzu kaybetmeniz veya unutmanız durumunda Porsche ortağınız ile görüşün.

## Web uygulaması parolası

Parola, Web Application içerisinde oturum açmak içindir.

İlk parolayı kullanırken:

- ▶ İlk parolayı kaybetmeniz veya unutmanız durumunda Porsche ortağı ile görüşün.

Belirlediğiniz bir parolayı kullanırken:

- ▶ Belirlediğiniz bir parolayı kaybetmeniz durumunda şarj cihazını fabrika ayarlarına sıfırlayın ve böylece başlangıç parolasını tekrar etkinleştirin (**Ayarlar** ⚙️ ▶ **Fabrika ayarları**).

## Şarj cihazının seri numarası

Şarj cihazının seri numarası, şu konumlarda bulunabilir:

- Erişim verilerini içeren zarfta "Seri numarasıSeri numarası" tanımlamasından sonra
- Tanımlama plakasında (kontrol ünitesinin arkasında) "SNSN" kısaltmadan sonra
- Şarj cihazı üzerinde: **Ayarlar** ⚙️ ▶ **Bakım** ▶ **Cihaz bilgileri**
- Web uygulamasında Web Application: **Ayarlar** ▶ **Bakım** ▶ **Bilgi**

## Porsche ID

Şarj cihazınız Porsche ID'niz ile eşleştirildiğinde, şarj cihazı ve şarj işlemleri hakkındaki bilgiler My Porsche ve Porsche Connect App içerisinde görüntülenebilir.

Şarj cihazını artık kullanmayacaksanız, örneğin satacağınız zaman:

1. Porsche ID ile şarj cihazı arasındaki eşleşmeyi devre dışı bırakın (**Ayarlar** ⚙️ ▶ **Kullanıcı profilleri**).
2. Şarj cihazını tekrar fabrika ayarlarına sıfırlayın (**Ayarlar** ⚙️ ▶ **Fabrika ayarları**).

## Genel bakış

### Kontrol ünitesindeki bağlantılar



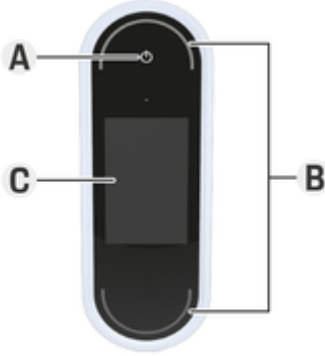
Res. 78: Kontrol ünitesindeki bağlantılar

- A** Besleme kabloları
- B** Araç kablosu

Kablo **A**, kontrol ünitesinin üst tarafından çıkarılıp takılabilir.

Araç kablosu **B**, kontrol ünitesinin alt tarafından çıkarılıp takılır.

## Şarj kontrol ünitesi



Res. 79: Kontrol ünitesi

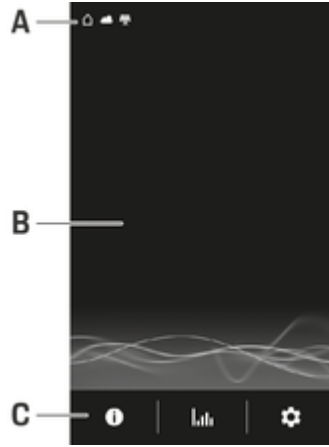
- A** Güç düğmesi ☹️  
**B** Durum LED'leri ○  
**C** Ekran

Şarj ünitesi, güç düğmesi **A** kullanılarak açılıp kapatılabilir (Res. 79).

Durum LED'ler **B** (Res. 79) şarj cihazının durumunu gösterir.

Şarj cihazı ile iletişim, ekranda **C** (Res. 79) bilgi ve hata mesajları şeklinde gösterilir.

## Ekran paneli ekranları ve kumandalar



Res. 80: Şarj cihazı ekranı

- A** Durum çubuğu  
**B** Bilgi alanı  
**C** Menü çubuğu

Bir parlaklık sensörü, ekran parlaklığını kontrol eder. Parlaklık, ortamdaki ışık seviyesine göre otomatik olarak uyarlanır.










## Durum çubuğu

Durum çubuğunda çeşitli semboller görüntülenebilir. Aşağıdaki genel bakışta, durum çubuğundaki sembollerin anlamları gösterilmektedir.

Sembol	Anlamı
	WiFi bağlantısı mevcut
	Sunucu bağlantısı mevcut
	Yazılım indirme
	PLC ağına bağlantı mevcut
	Hotspot aktif
	Araçta bir şarj profili etkinleştirildi. Bu profil, ayarlar doğrultusunda yüklenir.
	Fotovoltaik sistem bağlı olmalıdır

## Durum çubuğu

Durum çubuğunda çeşitli semboller görüntülenebilir. Aşağıdaki genel bakışta, durum çubuğundaki sembollerin anlamları gösterilmektedir.

Sembol	Anlamı
	WiFi bağlantısı mevcut
	Sunucu bağlantısı mevcut
	Yazılım indirme
	PLC ağına bağlantı mevcut
	Hotspot aktif
	Topraklama takibi devre dışı bırakılmış olmalıdır (Kanada, Meksika)
	Şarj cihazı bir güç yöneticisine bağlı
	Araçta bir şarj profili etkinleştirildi. Bu profil, ayarlar doğrultusunda yüklenir.
	Fotovoltaik sistem bağlı olmalıdır

### Bilgi

Önemlerine bağlı olarak, belirli semboller çakışabilir ve bu nedenle görünmez (artan önceliğe sahip semboller örn. PLC ağı < WiFi bağlantısı < Güç yöneticisi).

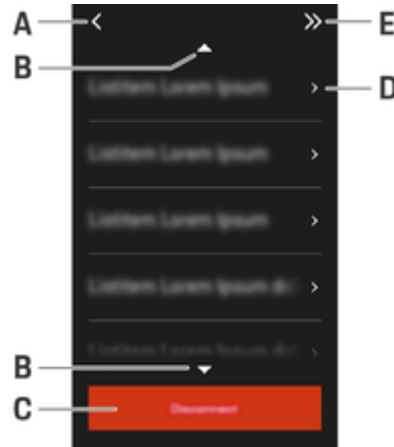
### Menü çubuğu

Menü çubuğunda çeşitli semboller görüntülenebilir.

Aşağıdaki özetle, menü çubuğundaki sembollerin anlamları gösterilmektedir.

Sembol	Anlamı
	Mevcut şarj işlemi hakkında bilgiler gösterilir
	Şarj geçmişi gösterilir
	Ayarların yapılandırılması
	Bir yazılım güncellemesi mevcuttur.

### Kontrol seçenekleri



Res. 81: Kontrol seçenekleri

- A** Geri  
**B** Yukarı/Aşağı

- C** Aktivite  
**D** Detaylar  
**E** Atla

### Kurulum yerinin seçilmesi

#### ⚠ TEHLİKE

Elektrik çarpması, yangın

Şarj cihazının yanlış kullanılması veya güvenlik talimatlarına uyulmaması, kısa devre, elektrik çarpması, patlama, yangın veya yanıklara neden olabilir.

- ▶ Temel duvar ünitesini veya şarj kadesini patlama tehlikesi olan alanlara kurmayın.
- ▶ Temel duvar ünitesini veya şarj kadesini kurmadan önce, açılacak montaj deliklerinin çevresinde elektrik kablosu bulunmadığından emin olun.
- ▶ Özellikle garajlarda patlama riskini azaltmak için, kontrol ünitesinin şarj sırasında zeminden en az 50 cm yukarıda bulunduğundan emin olun.
- ▶ Yerel olarak geçerli elektrik tesisatı düzenlemelerine, yangın koruma önlemlerine, kaza önleme düzenlemelerine ve kaçış rotalarına dikkat edin.

Temel duvar ünitesi ve şarj kadesi, kapalı ve açık ortamda kurulum için tasarlanmıştır. Uygun bir kurulum noktası seçilirken aşağıdaki kriterler dikkate alınmalıdır:

- İdeal olarak, elektrik prizini ve elektrik hattını, temel duvar ünitesini veya şarj kadesini, doğrudan güneş ışığına ve yağmura karşı koruma sağlayan (bir garaj gibi) kapalı bir alana kurun.
- Prizin yere ve tavana olan mesafesi, konforlu bir kullanım için ulusal düzenlemelere ve standartlara uygun şekilde seçilmelidir.
- Temel duvar ünitesini veya şarj kadesini asılı nesnelerin altına kurmayın.
- Temel duvar ünitesini veya şarj kadesini ahır, hayvan barınağı veya amonyak açığa çıkabilecek yerlere kurmayın.
- Temel duvar ünitesini veya şarj kadesini düz bir zemine kurun.

- Güvenli bir montaj için, kurulumdan önce duvarın durumunu kontrol edin.
- Temel duvar ünitesini veya şarj kadesini, tercih edilen araç park alanına mümkün olduğunca yakın bir yere kurun. Aracın yönünü dikkate alın.
- Temel duvar ünitesini veya şarj kadesini, geçiş yollarının yakınında olmayacak şekilde kurun ve kabloların geçiş yollarında bulunmadığından emin olun.
- Temel duvar ünitesini veya şarj kadesini, fiş ile priz arasındaki mesafe mevcut kablunun uzunluğunu aşmayacak şekilde kurun.

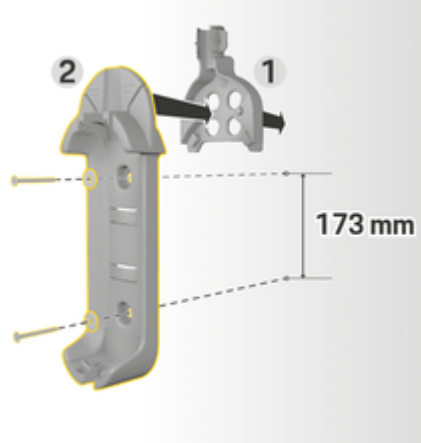
## Gerekli aletler

- Su terazisi
- Elektrikli veya darbeli matkap
- Tornavida

## Montaj

### Duvar ünitesinin montajı

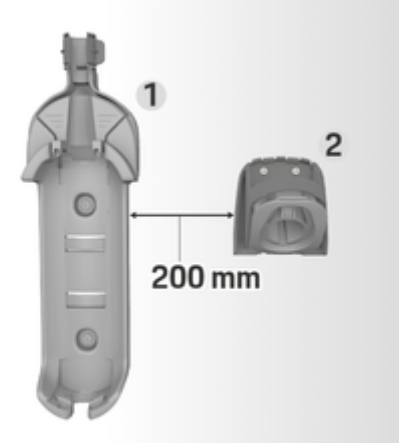
### Temel duvar ünitesinin kurulması



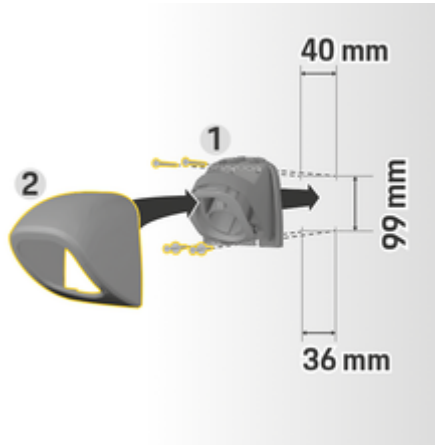
Res. 82: Delik boyutları

1. Duvara delikler için işaretler koyun.
2. Matkapla delikleri açın ve dübelleri takın.
3. Temel duvar ünitesini 2 (Res. 82)ön kısmından kablo yoluna1 (Res. 82) itin.
4. Temel duvar ünitesini duvara vidalayın.

## Konektör bağlantılarının takılması



Res. 83: Duvar ünitesi ve konektör tutucu arasındaki mesafe  
Konektör bağlantısını takarken, temel duvar ünitesi ile arasında 200 mm mesafe bırakın.



Res. 84: Delik boyutları

1. Konektör tutucuyu **1** (Res. 84) kapaktan **2** (Res. 84) çıkarın.
2. Duvara delikler için işaretler koyun.
3. Matkapla delikleri açın ve dübelleri takın.
4. Konektör bağlantısını **1** (Res. 84) duvara vidalayın.
5. Kapağı **2** (Res. 84) konektör bağlantısına **1** (Res. 84) alttan geçirin ve yukarı itin.

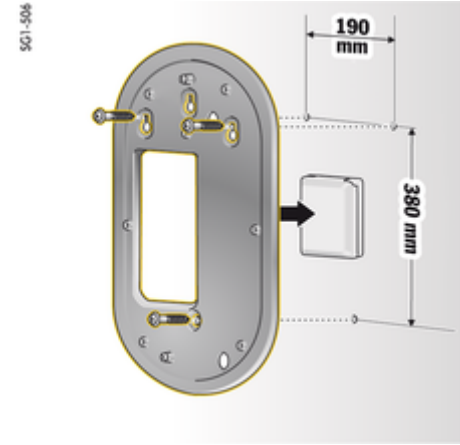
### Kontrol ünitesinin duvar ünitesine takılması



Res. 85: Kontrol ünitesinin takılması

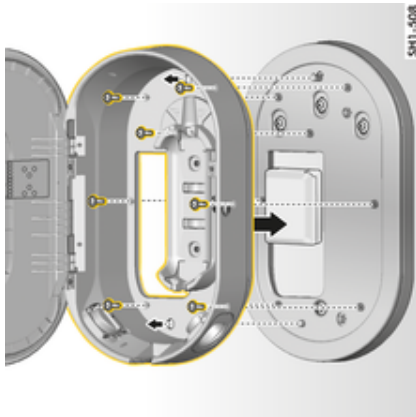
1. Araç kablosunu temel duvar ünitesinin alt açıklığından geçirin, kontrol ünitesinin alt kısmını kilitleme çıkıntısına yerleştirin ve sabitlenmesi için geriye doğru itin.
2. Güç kaynağı kablosunu temel duvar ünitesinin üst açıklığından geçirin ve segmanı sola iterek kilitleyin.
3. Araç fişini konektör bağlantısına takın.

### Ara parça olmadan kurulum



Res. 86: Delik boyutları

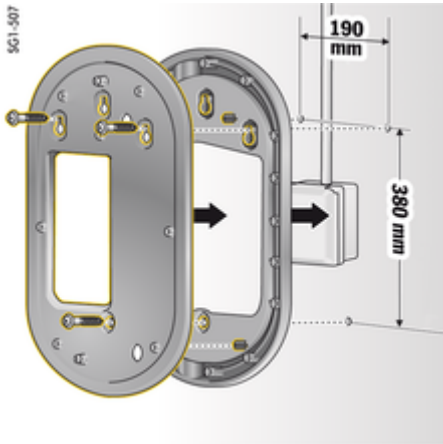
1. Duvara delikler için işaretler koyun.
2. Matkapla delikleri açın ve dübelleri takın.
3. Montaj plakasını duvara vidalayın.



Res. 87: Şarj kaidesinin montaj plakasına vidalanması

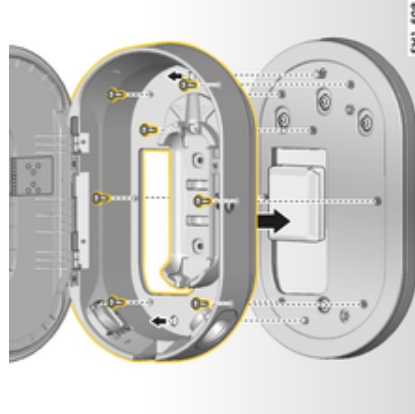
4. Şarj kaidesini montaj plakasına vidalayın.

### Ara parça ile kurulum



Res. 88: Delik boyutları

1. Duvara delikler için işaretler koyun.
2. Matkapla delikleri açın ve dübelleri takın.
3. Montaj plakasını ve ara parçayı duvara vidalayın.



Res. 89: Şarj kaidesinin montaj plakasına vidalanması

4. Şarj kaidesini montaj plakasına vidalayın.

## Ayarlar

### Araç şarj kabloları ve besleme kabloları

#### Araç şarj kabloları ve fişleri hakkında bilgi

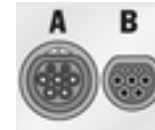
Araç donanımına bağlı olarak farklı araç şarj portları **A** ve araç fişleri **B** sunulmaktadır.



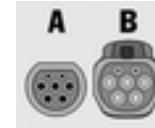
IEC 62196-2/  
SAE-J1772-2009  
Tip 1 UL/IEC



IEC 62196-2/  
SAE-J1772-2009  
Tip 1



IEC 62196-2  
Tip 2



GB/T 20234.2  
Tip GB

### Besleme kablosu seçimi

İdeal şarj hızı ile düzenli şarj için yalnızca aşağıda listelenen besleme kablolarını kullanın. Ulaşılabilir maksimum şarj gücü 22 kW değerine kadardır (cihaz

## Ayarlar

tipine, şebekeye/evdeki tesisata ve araç içi şarj cihazına bağlıdır). Yurt dışında sürüş yaparken, ziyaret ettiğiniz ülke için uygun bir besleme kablosu bulunurun.

### NOT

Yalnızca bulunduğunuz ülke için onaylanmış besleme kabloları kullanın. Aşağıdaki besleme kabloları belirli ülkeler için onaylanmıştır ve aşağıdaki tablolarda tanımlanmıştır.

Ülke	Besleme kabloları
Rusya, Ukrayna	5, 6, 7, 8, C
Abu Dabi, İsrail, Singapur	5, 6, 7, 8

Ülkelerdeki besleme kabloları onayları (örnekler)  
Araç kablosu koşullara bağlı olarak 2,5 veya 7,5 metre uzunluğunda olabilir. Ülkeye bağlı olarak, besleme kablosu, kontrol ünitesi ve araç kablosunun toplam uzunluğuna ilişkin sınırlamalar mevcuttur, örneğin İsviçre'de 5 metre, İsrail ve ABD'de 7,5 metre<sup>1</sup>.

1. Basım tarihi itibarıyla. Daha fazla bilgiyi Porsche ortağından veya yerel elektrik dağıtım kuruluşundan alabilirsiniz.



## Sanayi tipi prizler için besleme kabloları



## Ev tipi prizler için besleme kabloları

Sanayi tipi priz bulunmuyorsa düşük bir şarj gücüyle şarj etmek için aşağıda listelenen besleme kabloları da kullanılabilir.

- Bazı ülkelerde (örneğin, Abu Dabi, İsrail, Singapur ve Hindistan)<sup>1</sup>, ev tipi elektrik prizlerinden şarj yasaktır.



1. Basım tarihi itibarıyla. Daha fazla bilgiyi Porsche ortağından veya yerel elektrik dağıtım kuruluşundan alabilirsiniz.



**H**  
CEI23-16-VII  
Tip L 16 A (5 mm)



**I**  
IA6A3 (BS 546)  
Tip M

### NEMA 6-50/NEMA 14-50 (ek bilgiler)

#### **i** Bilgi

#### Kapsam

Bu kullanım tavsiyeleri yalnızca NEMA 6-50/NEMA 14-50 standardına sahip bölgeler için geçerlidir.

Aracınızı şarj etmek yüksek elektrik akımları gerektirebilir. Güvenlik nedenleriyle, özel olarak onaylanmış parçaların kullanılması ve tüm şarj cihazının yetkili bir teknisyen tarafından kurulması zorunludur.

### Genel güvenlik talimatları

#### **⚠ TEHLİKE**

Elektrik çarpması ve yangın!

Şarj ekipmanının yanlış kullanılması ve kurulum ile güvenlik talimatlarına uyulmaması kısa devreye, elektrik çarpmasına, patlamaya, yangına veya yanıklara neden olabilir.

- ▶ Şarj ekipmanı kılavuzundaki kurulum talimatlarını dikkate alın.
- ▶ Uyarılara ve güvenlik talimatlarına özellikle dikkat edin.
- ▶ Kurulumu, gerekli elektrik eğitimi ve uzmanlık bilgisine sahip bir kişiye yaptırın.
- ▶ Ayrıca elektrik kurulumlarının gerçekleştirilmesi için ulusal düzenlemelere de uyun.

### Elektrik prizi için gereksinimler

#### **⚠ TEHLİKE**

Uygun olmayan elektrik prizleri

Uygun olmayan bir elektrik prizi kısa devreye, elektrik çarpmasına, patlamaya, yangına veya yanıklara neden olabilir.

- ▶ Yalnızca bu kurulumu uygun tipte bir elektrik prizi kullanın (bkz. **Uygun tipte elektrik prizleri/ fişleri**).
- ▶ Yalnızca temas yüzeylerinin kalitesi ve sabitleme ile ilgili gereksinimleri karşılayan elektrik prizlerini kullanın (bkz. **Elektrik prizlerinin kalitesi için gereklilikler**).
- ▶ Terminal vidaları ve kablo arasında doğrudan temastan kaçının. Tercihen tel ucu halkaları kullanın.
- ▶ Kabloyu yalıtıma sıkıştırmaktan kaçının.

### Uygun tipte elektrik prizleri/ elektrik fişleri

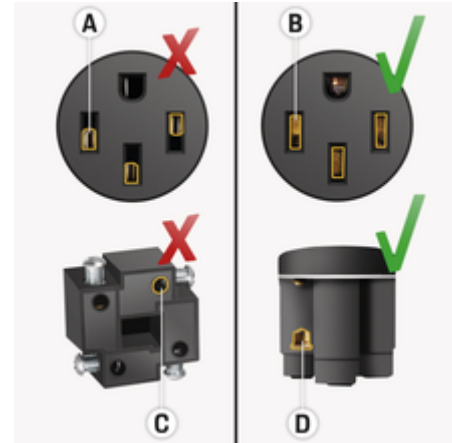


NEMA 6-50  
Elektrik soketleri/prizleri



NEMA 14-50  
Elektrik soketleri/prizleri

### Elektrik prizlerinin kalitesi için gereklilikler



- A** Temas yüzeyi, geçmeli kontağın yüksekliğinin sadece yarısı kadar
- B** Temas yüzeyi, geçmeli kontağın tüm yüksekliğini kaplıyor
- C** Terminal vidası ve tel arasındaki küçük temas yüzeyi.
- D** Terminal plakası ve tel arasında geniş temas yüzeyi

**Kablo kurulumu için gereksinimler****⚠ TEHLİKE**

Uygun olmayan güç kablosu

Uygun olmayan güç kablolarının kullanılması veya aşırı elektrik akımı kısa devreye, elektrik çarpmasına, patlamaya, yangına veya yanıklara neden olabilir.

- ▶ Kablonun 50 amperlik sigortası olmalıdır.
- ▶ Yalnızca minimum 8 AWG veya tercihen 6 AWG kesitli bakır kablolar kullanın.

**Dış mekan kurulumu için gereksinimler****⚠ TEHLİKE**

Yağmurla doğrudan temas

Şarj ekipmanı açık havada kullanılacaksa, yağmurla doğrudan temas kısa devreye, elektrik çarpmasına, patlamaya, yangına veya yanıklara neden olabilir.

- ▶ Şarj ekipmanının doğrudan yağmurla temas etmesine izin vermeyin.
- ▶ NEMA 3R su geçirmez muhafaza kullanın.

**Kabloların ve araç kablolarının değiştirilmesi****⚠ TEHLİKE**

Elektrik çarpması

Elektrik çarpması nedeniyle ciddi ya da ölümcül yaralanma tehlikesi.

- ▶ Kabloyu değiştirmeden önce, kablonun fişini mutlaka prizden ve araç kablosunu araç şarj portundan ayırın.
- ▶ Kabloyu yalnızca kuru ortamlarda değiştirin.
- ▶ Sadece Porsche tarafından onaylanan kabloları kullanın.

▶ Bkz. sayfa 186, bölüm "Paket içeriği".

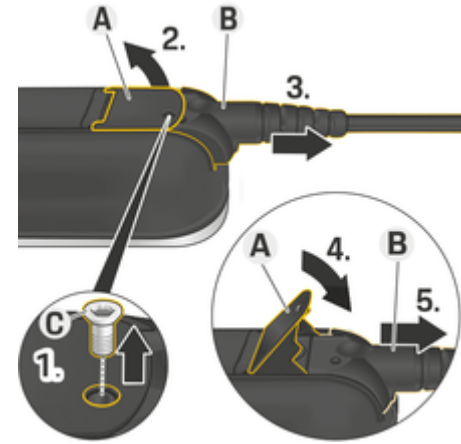
Norveç, İtalya, Portekiz ve İspanya<sup>1</sup> gibi bazı ülkelerde güç kaynağı kablosu sadece kalifiye bir elektrik teknisyeni tarafından değiştirilebilir. Porsche, yetkili bir Porsche yetkili servislerini tercih etmenizi önerir.



Res. 90: Kontrol ünitesindeki bağlantılar

Kablo **A**, kontrol ünitesinin üst tarafından çıkarılıp takılabilir.

Araç kablosu **B**, kontrol ünitesinin alt tarafından çıkarılıp takılır.

**Kabloların ayrılması**

Res. 91: Kabloların ayrılması

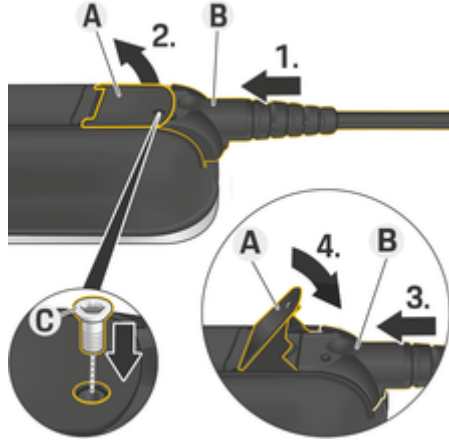
✓ Yüksek voltajlı bataryanın şarj işlemi sona ermiş ve araç fişi araç şarj portundan çıkarılmış olmalıdır.

✓ Fiş, prizden çıkarılmış olmalıdır.

1. Uygun bir alet kullanarak vidayı **C** (Res. 91) sökün.
2. Kaldırma kolu **A** (Res. 91).
3. İlk önce direnç hissedilinceye kadar fişi **B** (Res. 91) çekin.
4. Kolu **A** (Res. 91) kapatın.
5. Fişi **B** (Res. 91) tamamen çıkarın.

1. Basım tarihi itibarıyla. Daha fazla bilgiyi Porsche yetkili servisinden veya yerel elektrik dağıtım kuruluşundan alabilirsiniz.

## Kabloların sabitlenmesi



Res. 92: Kablolarının takılması ve fişlerin sabitlenmesi

✓ Kol **A** (Res. 92) kapalı olmalıdır.

1. İlk direnç hissedilinceye kadar fiş **B** (Res. 92) kontrol ünitesine sokun.
2. Kaldırma kolu **A** (Res. 92).
3. Fiş **B** (Res. 92) tamamen itin.
4. Kolu **A** (Res. 92) kapatın.
5. Fiş **B** (Res. 92) vidalı kontrol ünitesine **C** (Res. 92) sabitleyin.

## İlk çalıştırma ve yapılandırma

## Çalıştırma

Şarj cihazını ilk defa çalıştırmadan önce aşağıdaki ayarları yapılandırın.

## İ Bilgi

- **Atla** ile işaretli seçenekler atlanabilir. Bu durumda bir ayar yapılandırılmaz.
- Ayarlar her zaman ekran üzerinden değiştirilebilir (⚙️).

## Dil ve ülke

1. Listedeki istediğiniz dili seçin. Seçimi onaylayın.
2. Listedeki istediğiniz ülkeyi seçin.
3. Seçilen dil ve ülkeyi onaylayın.

## Veri transferi

- ▶ Veri aktarımı için talimatları okuyun ve onaylayın.

## Yazılım güncellemeleri

Şarj cihazının tam fonksiyonel ve güvenilir şekilde çalışmasını sağlamak için, daima en son yazılım güncellemesi yüklenmelidir.

- ▶ Otomatik yazılım güncellemesi için ayarları seçin ve onaylayın.

**Açık** Şarj cihazı, yazılım güncellemeleri olup olmadığını kontrol eder ve güncellemeleri otomatik olarak indirir.

Kurulumla doğrudan başlanabilir veya kurulum daha sonraya ertelenebilir.

**Kapalı** Şarj cihazı, yazılım güncellemeleri olup olmadığını kontrol eder ve bununla ilgili bir mesaj görüntüler. İndirme manuel olarak başlatılabilir.

İndirme tamamlandığında, kurulumla doğrudan başlanabilir veya kurulum daha sonraya ertelenebilir.

Şarj cihazı internete bağlanıyorsa, yazılım güncellemeleri <https://www.porsche.com> web sitesinin **E-performance** alanından otomatik olarak indirilebilir ve web uygulaması aracılığıyla yüklenebilir.

## Şebeke seçimi

Bir ev ağına bağlantı seçeneğini seçin. Bu seçenek, **Atla** ile atlanabilir. Bu durumda, ev ağına bağlantı kurulmamıştır. Şarj cihazı mevcut bir ev ağına bağlanırsa, gelişmiş fonksiyonlar ve bilgiler kullanılabilir. Bağlantı WiFi veya bir Elektrik Hattı İletişim ağı (PLC ağı) üzerinden yapılabilir. Ev ağı mevcut değilse, şarj cihazında bir hotspot kurulabilir.

## İ Bilgi

Parola koruması olmayan genel WiFi ağları desteklenmez ve kullanılamaz.

## WiFi ile bağlantı

1. **WiFi** öğesini seçin.
2. Algılanan WiFi ağları listesinden ev ağını seçin.
3. Parolanızı girin ve doğrulayın.

## PLC eşleştirme düğmesi ile bağlantı


1. **PLC eşleştirme düğmesi** öğesini seçin.
2. PLC modeminde bağlantı işlemini başlatın. Şarj cihazında **Tamam** düğmesine basarak onaylayın. Kurulum tamamlandığında, **Bağlan** ile onaylayın. ➔ PLC ağına bağlantı aktif.

PLC ağına bağlantı kurulduğunda, durum çubuğunda 📶 sembolü görüntülenir.

### PLC güvenlik kodu ile bağlantı

Bu yöntem için PLC ağının kontrol yazılımını içeren bir cihaz kullanılmalıdır.

1. Bir PLC ağına güvenlik kodu ile bağlantı kurmak için, **PLC güvenlik kodu** ögesini seçin.
  - ➔ Ekranla güvenlik kodu görüntülenir.
2. Şarj cihazını PLC ağına entegre etmek için, güvenlik kodunu PLC ağının kontrol yazılımındaki ilgili menüye girin.
  - ➔ PLC ağına bağlantı aktif.

PLC ağına bağlantı kurulduğunda, durum çubuğunda  sembolü görüntülenir.

#### Bilgi

PLC özellikleri:

- Araca ve altyapıyı ayrı arayüzler
- PLC'den IEEE P1901'e
- Ev fişi AV
- Şifreleme: 128-bit AES
- Frekans bandı: 2-30 MHz

### Kullanıcı profilleri (Porsche ID Eşleştirme)

Şarj cihazınız Porsche ID'nizle eşleştirildiğinde, şarj cihazı ve şarj süreçleri hakkındaki bilgiler My Porsche ve Porsche Connect uygulamasında görüntülenebilir.

### Şarj cihazınızı Porsche kimliğinizle eşleştirmek için:

- ▶ Şarj cihazının ekranında belirtilen web sitesini, cihazınızın tarayıcısında açın ve kullanıcı kodunu girin.
  - veya -
 Şarj cihazında görüntülenen QR kodunu tarayın. QR kodunu aşağıdaki yöntemlerden birini kullanarak tarayabilirsiniz:
  - Porsche Connect uygulamasını kullanarak (**Hesabım > Şarj kabloları ve cihazları > QR kodu tarama**).
  - Cihazınızın kamerasını kullanarak (iOS 11 veya üzeri, Android için farklı).
  - QR kodlarını taramak için bir uygulama kullanarak.


Şarj cihazı başarıyla eşleştirildiyse, Kurulum asistanı sonraki adıma geçer.

### Güç yöneticisine bağlanma

Mevcut ise, bir güç yöneticisine bağlantı kurulabilir. Ardından, şarj işlemi güç yöneticisi tarafından kontrol edilir.

- ▶ Bağlantı hakkında bilgi için, güç yöneticisinin kullanım talimatlarına bakın.


Mevcut bir güç yöneticisi yoksa araç, şarj cihazında girilen şarj akımı ile şarj edilir:

- ▶ **Ayarlar**  ▶ **Şarj akımını ayarla**
- ▶ Bkz. sayfa 199, bölüm "Şarj akımının ayarlanması".

### Hotspot

Bir ev ağına bağlantı mümkün değilse, şarj cihazı bir hotspot oluşturarak şarj cihazının web uygulamasına bağlantı kurulmasını sağlayabilir.

- ▶ Hotspot oluşturmak için **Hotspot'u etkinleştir** ögesine basın.

Hotspot oluşturulduğunda, durum çubuğunda  sembolü gösterilir.

#### Bilgi

Android sistemi kullanıyorsanız, bir hotspot bağlantısının kurulabilmesi için bağlantının kurulduğunu ayrıca onaylamanız gerekebilir.

### Şarj akımının ayarlanması

Ev ağına güç yöneticisi bulunmuyorsa, şarj cihazı için izin verilen maksimum şarj akımı burada ayarlanabilir.

Görüntülenen maksimum değer, bağlı kablo tiplerine göre belirlenir.

- ▶ Şarj akımını, şarj cihazının bağlı olduğu şebeke bağlantısının izin verdiği maksimum değere ayarlayın. Bunun için **Artı** ve **Eksi** düğmelerini kullanın.
- ▶ Bkz. sayfa 203, bölüm "Şarj akımını sınırlama".

### Cihaz koruması

İzinsiz bir aracın şarj cihazına bağlanmasını önlemek için, bir PIN sorgulaması ayarlanabilir.

1. PIN sorgulamayı etkinleştirmek için, **Açık** ögesini seçin.
2. 4 haneli bir PIN girin ve onaylayın.

3. PIN kodunu tekrar girin ve onaylayın.
  - ➔ PIN sorgulamasının aktif hale getirilmesi onaylanır.

## Kurulumu tamamlama

- ▶ **Özet** kısmını kullanarak girdiğiniz ayarları kontrol edin ve kurulum işlemini tamamlayın.

## Web uygulaması ile işleme alma

Şarj cihazı ve Web Application gündelik amaçlar doğrultusunda kullanılmadan önce şarj cihazının bir ilk adımda kurulumu yapılmalıdır. Ardından, cihazınız (PC, tablet veya akıllı telefon) ve şarj cihazı arasında bağlantı kurulmalıdır.

## Web uygulamasında ilk işleme alma için gereksinimler

Web Application uygulamasının ilk kullanımı için aşağıdaki bilgiler hazır bulunmalıdır:

- Şarj cihazının Porsche Mobile Charger Connect içerisinde oturum açmak için Web Application erişim bilgisi mektubu
- Ev ağınızın erişim verileri
- Kullanıcı profiliniz için erişim verileri (Porsche ID'niz ile bağlamak için)

Web uygulaması, şu tarayıcıları destekler:

- Google Chrome, sürüm 57 veya sonrası (önerilir)
- Mozilla Firefox, sürüm 52 veya sonrası (önerilir)
- Microsoft Internet Explorer, sürüm 11 veya sonrası
- Microsoft Edge
- Apple Safari, sürüm 10 veya sonrası

## Şarj cihazında oturum açma

### **i** Bilgi

Şarj cihazında oturum açmak için erişim verileri, erişim verilerini içeren zarfta yer almaktadır. Güvenlik alanı, gerekli erişim kodlarını (PIN ve PUK) içerir. Bu alanda kodlar özel mürekkeple kaplanmıştır.

Bu kodlar, yalnızca bu alan suyla ıslatıldığında görünür hale gelir.

Kodlar zarar görebileceğinden, bu alanı ıslatırken ovamamaya veya kazımaya.

- ✓ Şarj cihazı açık.
- ✓ Erişim verilerini içeren zarf hazır.

1. Zarfa bakarak PIN kodunu öğrenin. Bunun için, güvenlik alanını ıslatarak PIN kodunu okunur hale getirin.
2. PIN kodunu girin.

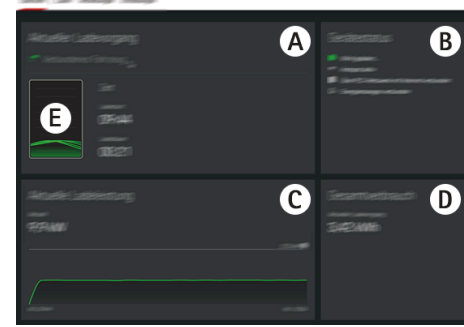
## Şarj cihazında kurulum işleminin başlatılması

Şarj cihazı, kurulum boyunca kullanıcıyı adım adım yönlendiren kurulum sihirbazının yardımıyla kurulur. Şarj cihazının doğru olarak kullanılabilmesi için, kurulum tamamlanmalıdır.

- ▶ Şarj cihazının kurulumuyla ilgili daha ayrıntılı bilgi için Porsche Mobile Charger Connect kullanım kılavuzuna bakın.

## Genel bakış

Web uygulaması, şarj cihazından daha kapsamlı ayar seçenekleri sunar.



Res. 93: Web uygulaması kontrol paneli

### **A** Mevcut şarj oturumu

Mevcut şarj işlemine ilişkin başlangıç zamanı ve şarj işleminin süresi gibi bilgileri gösterir.

### **B** Cihaz durumu

Cihaza ilişkin bilgileri gösterir, örneğin:

- Mevcut şarj durumu
- kullanılan ağ bağlantısı
- Güç yöneticisi (mevcut ise) ile bağlantı durumu
- bir yazılım güncellemesi olup olmadığı
- Toprak hattı izlemesinin devre dışı bırakılması

### **C** Mevcut şarj kapasitesi

Şarj cihazından yük yönüne elektrik akım geçişi [kilowatt cinsinden].

Özellikler: Eğri, şarj işleminin başlangıcından itibaren şarj gücü ilerleyişini ve toplam enerji tüketimini [kilowatt cinsinden] gösterir.

Belirli bir zamandaki şarj işlemini görüntülemek için, eğri üzerinde bir zaman noktası seçin.

### **D** Tüketim

Geçerli şarj işleminin toplam enerji tüketimi [Kilowatt saat cinsinden].

**E Şarj durumu**

Kontrol panelinde kullanılan renk, şarj cihazının şarj durumunu gösterir:

- Kırmızı: Hata mesajı
- Mavi: Şarj duraklatıldı
- Yeşil: Araç şarj ediliyor
- Beyaz: Şarj cihazına bağlı araç yok

## Kullanım

### Kullanım talimatları

Bazı ülkelerde, elektrikli araç şarj donanımının bağlandığının yetkili makamlara bildirilmesi gerekmektedir.

- ▶ Şarj donanımını bağlamadan önce, kullanımı ve yasal gereklilikler ile ilgili olarak yetkililere bilgi vermeye ilişkin herhangi bir zorunluluk olup olmadığını kontrol edin.

**NOT**

Şarj cihazında hasar

- ▶ Şarj ederken, şarj cihazını mutlaka sağlam bir zemine yerleştirin.
- ▶ Porsche, şarj cihazını temel duvar ünitesinde veya şarj kaidesinde çalıştırmanızı önermektedir. İsviçre gibi bazı ülkelerde<sup>1</sup>, şarj cihazı yalnızca temel duvar ünitesinde veya şarj kaidesinde kullanılabilir.
- ▶ Şarj cihazını suya daldırmayın.
- ▶ Şarj cihazını kardan ve buzdan koruyun.
- ▶ Şarj cihazını dikkatle kullanın ve araçla üzerinden geçme, düşürme, çekme, bükülme veya ezilme sonucu oluşabilecek hasarlardan koruyun.
- ▶ Şarj cihazının muhafazasını açmayın.

**NOT**

Şarj cihazında hasar

Şarj cihazı, yalnızca  $-30^{\circ}\text{C}$  ila  $+50^{\circ}\text{C}$  aralığında çalıştırılmalıdır.

- ▶ Çalışma sırasında aşırı ısınmasını önlemek için, şarj cihazının sürekli doğrudan güneş ışığına maruz kalmasına engel olun. Şarj cihazının aşırı ısınması durumunda, sıcaklık normal aralığa dönmeye kadar şarj işlemi otomatik olarak durdurulur.
- ▶ Şarj cihazı aşırı sıcak veya aşırı soğuksa, kendiliğinden normal çalışma sıcaklığına ulaşmasını bekleyin; soğuk su veya saç kurutma makinesi kullanarak aktif biçimde soğutmaya veya ısıtmaya çalışmayın.

1. Basım tarihi: Daha fazla bilgi için Porsche yetkili servisimize başvurun.

### Şarj etme

#### Şarj talimatları

##### Araç şarj portu

Araç kablosunun araç şarj portuna bağlanması ve ayrılması ve araç şarj portunda şarj ve bağlantı durumu hakkında bilgi için:

▶ Sürücü El Kitabı'na bakın.



**TEHLİKE**

Elektrik çarpması, yangın

Yangın veya elektrik çarpması nedeniyle ciddi ya da ölümcül yaralanma tehlikesi.

- ▶ Şarj işlemi için daima belirtilen sıralamaya uyun.
- ▶ Şarj sırasında araç kablosunu araç şarj portundan kesinlikle ayırmayın.
- ▶ Araç kablosunu araç şarj portundan çıkarmadan önce şarj işlemi sonlandırın.
- ▶ Şarj işlemi sırasında şarj cihazını prizden ayırmayın.

Hatalar ekranda gösterilir ve kırmızı durum LED'leri ile belirtilir. Hata mesajı, nedeni ve çözümü görüntülenir.

- ▶ Bkz. sayfa 213, bölüm "Arızalar".

#### Şarj süreleri

Şarj süresi, çeşitli faktörlere dayalı olarak değişiklik gösterir:

- Kullanılan priz (mesken prizi veya sanayi prizi)
- Ülkeye özgü şebeke voltajı ve elektrik akımı
- Şarj cihazında şarj akımını sınırlama ayarları
- Şebeke voltajındaki dalgalanmalar
- Araç ve şarj cihazı çevresindeki ortam sıcaklığı. İzin verilen ortam sıcaklığı sınırında olduğunda şarj süreleri daha uzun olabilir.

▶ Bkz. sayfa 203, bölüm "Topraklama takibini devreye alma ve devre dışı bırakma".

- Yüksek voltajlı bataryanın ve kontrol ünitesinin sıcaklığı
- Yolcu bölmesindeki ön soğutma/ısıtma aktif
- Prizin ve araç fişinin akım taşıma kapasitesi

#### **i** Bilgi

Ülkelerin şebeke voltajı farklılıklarından dolayı farklı kablo versiyonları mevcuttur. Bunun sonucunda, tam şarj gücü kullanılamayabilir. Daha fazla bilgi için Porsche yetkili servisimize başvurun.

### Şarji başlatma, duraklatma ve sonlandırma

#### Şarj başlatma

##### 1. Fişi prize takın.

- ☺ Güç düğmesi beyaz renkle yanar.
- Durum LED'leri beyaz yanar
- ➔ Ekran açılır.

##### 2. Araç fişini araç şarj portuna takın.

- ☺ Güç düğmesi beyaz renkle yanar.
- Durum LED'leri beyaz yanıp söner.

Şarj kablosunun araç şarj portuna takılması hakkında bilgi için:

▶ Sürücü El Kitabı'na bakın.

- ➔ Başarılı bir kendi kendine testten ve bağlantı kurulduktan sonra, durum LED'leri beyaz yanar.

##### 3. Şarj işlemi otomatik olarak başlar.

- ☺ Güç düğmesi beyaz renkle yanar.
- Durum LED'leri yeşil yanıp söner.

##### 4. Birkaç dakika sonra, şarj cihazı bekleme moduna geçer.

- ➔ Araç şarj işlemi başlatır.

#### **i** Bilgi

- Şarj işlemi araç tarafından kontrol edilir. Şarj işlemi sadece araç üzerinde durdurulabilir.
- Şarj cihazı bekleme modunda olmadığı sürece, şarj durumu ekranda görüntülenir. Ekran, güç düğmesine ☺ basılarak tekrar açılabilir.
- Aşırı sıcaklıkta kapanma özelliği şarj işlemi sırasında aşırı ısınmayı önler.

### Şarjın duraklatılması

Şarj işlemi araç tarafından kontrol edilir ve bazen duraklatılabilir (örneğin güç tüketimini optimize etmek için).

Şarj işleminin duraklatılması, kontrol ünitesinde belirtilir:

- ☺ Güç düğmesi beyaz renkle yanar.
  - Durum LED'leri mavi renkle yanıp söner.
- Ekran açılır.

Araç şarj işlemi otomatik olarak tekrar başlatır. Şarj işlemi araç üzerinde durdurulabilir.

### Şarj işleminin durdurulması

- ✓ Şarj işlemi başarıyla tamamlanmıştır.

- ☺ Güç düğmesi beyaz renkle yanar.
- Durum LED'leri yeşil yanar.

Ekran açılır ve tamamlanan şarj işlemi ile ilgili bilgiler gösterir. Birkaç dakika sonra, şarj cihazı bekleme moduna geçer.

- ▶ Şarj fişi araç şarj portundan ayrılmış olmalıdır.



## Şarj akımını sınırlama

Kontrol ünitesi, voltajı ve mevcut akımı otomatik olarak algılar. Şarj işlemi için kullanılacak şarj gücü, şarj akımını sınırlama fonksiyonu kullanılarak belirlenebilir. Son şarj akımı ayarı kayıtlı tutulur. Elektrik tesisatının aşırı ısınmasını önlemek için, ev tipi elektrik prizleri kullanıldığında şarj akımı teslimatta otomatik olarak %50 ile sınırlanır.

Şarj cihazı bir güç yöneticisine bağlandığında, şarj akımı güç yöneticisindeki değerler doğrultusunda sınırlanır. Kullanılabilecek maksimum şarj akımı, ev ağındaki diğer cihazlar (örneğin, elektrikli ısıtıcı veya termosifon) tarafından da kısıtlanabilir. Şarj gücü, kesinlikle kullanılan elektrik devresinin izin verdiği maksimum güçten yüksek bir değere ayarlanmamalıdır. Bu konuda emin değilseniz, kalifiye bir elektrik teknisyeni ile görüşün.

## Plug and Charge

Plug & Charge ile araç, şarj kaidesindeki veya şarj cihazındaki şarj işlemi manuel olarak başlatmaya gerek kalmadan özel ve kamusal alanlarda uygun bir şarj altyapısı kullanılarak şarj edilebilir. Şarj işlemi, şarj hizmeti sağlayıcısıyla yapılan sözleşme temelinde otomatik olarak faturalandırılır.

- ✓ Araçta akıllı şarj fonksiyonları devreye alınmış olmalıdır.
- ✓ Şarj altyapısı ile uyumlu olmalıdır Plug & Charge.
- ✓ Şarj hizmeti sağlayıcısıyla yapılan sözleşme işlemini içermelidir Plug & Charge.

## Private Plug & Charge

Mobile Charger Connect için cihaz koruması etkinleştirilmişse şarj işlemi sadece PIN kodu girişi ile başlatılabilir > Bkz. sayfa 199, bölüm "Cihaz koruması". Bu, yetkisiz erişime karşı korumak içindir.

## Araç listesi (araç kaydı)

PIN girildikten sonra aracın Mobile Charger Connect araç listesine eklenip eklenmeyeceği sorulur. Onay verildiğinde araç bir kere Mobile Charger Connect ile eşleştirildikten sonra şarj kablosu takıldıktan hemen sonra araç tanınır ve şarj işlemine izin verilir. Böylece bu araç ile yapılacak diğer şarj işlemlerinde PIN girilmesine gerek kalmaz.

## Araç listesini açma

Mobile Charger Connect içerisinde birden fazla araç kaydedilebilir. Araç listesinde her araç ayrı ayrı listelenir.

- ▶ **Ayarlar** ⚙ ▶ **Araç listesi** seçin.

Bu liste üzerinden araçlar tekrar çıkarılabilir.

## Topraklama takibini devreye alma ve devre dışı bırakma

**⚠ TEHLİKE**

Elektrik çarpması, kısa devre, yangın, patlama

Şarj cihazının aktif topraklama takibi olmadan kullanılması, elektrik çarpmasına, kısa devrelere, yangına, patlamalara veya yanıklara neden olabilir.

- ▶ Şarj cihazı, tercihen topraklanmış şebeke sistemlerinde kullanılmalıdır.
- ▶ Topraklama takibini yalnızca topraklanmamış şebeke sistemlerinde devre dışı bırakın.
- ▶ Topraklama takibini topraklanmış şebeke sistemlerinde etkinleştirin.

▶ Bkz. sayfa 204, bölüm "Topraklama takibinin etkinleştirilmesi".

## Topraklama takibinin devre dışı bırakılması

- ✓ Ekranda, koruyucu iletkende kesinti veya koruyucu iletken bulunmuyor olmasını belirten bir hata mesajı gösterilir.
  - ✓ Topraklama takibi, şarj işlemi durdurdu veya başlamasına engel oluyor.
    - ⦿ Güç düğmesi kırmızı renkle yanar.
    - ⦿ Durum LED'leri kırmızı yanar.
 Ekranda bir hata mesajı görüntülenir.
1. Topraklama takibini devre dışı bırakmak için, hata mesajını **Onayla** düğmesini kullanarak onaylayın.
  2. Güç düğmesini ⏻ 3 saniye basılı tutun.
  3. **Onayla** düğmesini kullanarak topraklama takibinin devre dışı bırakılmasını onaylayın.
    - ➔ Sonraki şarj işlemleri için takip devre dışı kalır.

### Topraklama takibinin etkinleştirilmesi

Şarj cihazı topraklanmış bir şebeke sisteminde kullanılacaksa, topraklama takibini etkinleştirin.

1. **Topraklama takibi** menüsünü açın (**Ayarlar** ▶ **Topraklama takibi**).
2. Topraklama takibini **Etkinleştir** ögesi ile etkinleştirin.

Topraklama takibi etkinleştirildiğinde, **Ayarlar** menüsünde **Topraklama takibi** ögesi görüntülenmez.

### Web uygulamasında oturum açma

Web uygulamasının standart kullanımı için, Ev kullanıcısı tipini seçin. Müşteri hizmetleri kullanıcı tipi, Porsche yetkili servisi tarafından servis amaçları doğrultusunda kullanılmaya yönelik ek ayar seçeneklerine sahiptir.

✓ Erişim verileri hazır.

1. **Kullanıcı** kutusunda, uygun kullanıcıyı seçin.
2. Parolayı (erişim verilerini içeren zarftaki) girin.

### **i** Bilgi

25 dakika boyunca hiçbir işlem gerçekleştirilmemesi durumunda, kullanıcının web uygulaması oturumu otomatik olarak sonlandırılır.

### Web uygulamasının açılması

Her şarj cihazı için özel olarak tasarlanmış bir web uygulaması kullanılarak ek yapılandırma seçeneklerine ve mevcut şarj süreçleri hakkında detaylı bilgilere erişilebilir.

### **i** Bilgi

- Kullandığınız tarayıcıya bağlı olarak web uygulaması hemen açılmayabilir. Bunun yerine, ilk olarak tarayıcının güvenlik ayarlarıyla ilgili bir bilgi görüntülenebilir.
- Web uygulamasını açarken ağ anahtarını girmeniz gerekebilir. Bu, cihazınızın işletim sistemine göre farklılık gösterir.

### Web Application uygulamasının hotspot üzerinden açılması

Web uygulaması, şarj cihazıyla oluşturulan hotspot ile bağlı bir cihaz (PC, tablet veya akıllı telefon) kullanılarak açılabilir.

Bir hotspot kurmak için:

- ▶ Bkz. sayfa 199, bölüm "Hotspot".
- ▶ Bir hotspot etkinken web uygulamasını açmak için, tarayıcının adres satırına şu IP adresini girin: 192.168.0.1

### Web uygulamasının WiFi üzerinden açılması

Web uygulaması, şarj cihazıyla aynı ev ağına bağlı bir cihazdaki (PC, tablet veya akıllı telefon) tarayıcı kullanılarak açılabilir.

- Şarj cihazının mevcut IP adresini tarayıcınızın adres satırına girin. Geçerli IP adresini şurada bulabilirsiniz **Ayarlar** ▶ **Ağ** ▶ **Ağ bilgileri**.  
- veya -  
Şarj cihazının sunucu adını tarayıcınızın adres satırına girin. Sunucu adını erişim verileri zarfında bulabilirsiniz.

▶ Web Application uygulaması ile ilgili bilgi için <https://www.porsche.com/international/about-porsche/e-performance/help-and-contact/sayfa-sindaki-kilavuza-bakin>.

## Web uygulamasını kullanma

### Web uygulamasının açılması

#### Şarj cihazıyla bağlantı kurma

Şarj cihazı kurulum sırasında mevcut ev ağınıza (WiFi veya Powerline Communication) entegre edilirse, atanmış IP adresi kullanılarak web uygulamasına erişilebilir.

Ağ bağlantısı kurma hakkında bilgi için, ► Bkz. sayfa 206, bölüm "Bağlantılar"..

#### Web uygulamasının WiFi üzerinden açılması

✓ Kişisel cihazınız ve şarj cihazı, aynı WiFi ağına bağlı.

1. Tarayıcınızı açın.
2. Tarayıcı adres satırına: Yapılandırma sırasında atanan IP adresini (şarj cihazında **Ayarlar** ► **Ağlar** ► **Ağ bilgileri**) veya şarj cihazının sunucu adını (erişim verilerini içeren zarfta yer almaktadır) girin.

#### Elektrik Hattı Üzerinden Haberleşme (PLC) üzerinden web uygulamasının açılması

✓ Cihaz ve şarj cihazı bir PLC bağlantısı üzerinden aynı ağda olmalıdır.

1. Tarayıcınızı açın.
2. Tarayıcı adres satırına: Yapılandırma sırasında atanan IP adresini (şarj cihazında **Ayarlar** ► **Ağlar** ► **Ağ bilgileri**) girin.

#### Web Application uygulamasının hotspot üzerinden açılması

Alternatif olarak, bir hotspot üzerinden bağlantı kurulabilir. Şarj cihazı, parola korumalı ve el ile oturma açma gerektiren bir kablosuz erişim noktası (hotspot) sunar. WiFi özelliğine sahip bir kişisel cihaz, hotspot'a

bağlanabilir ve şarj cihazının web uygulamasına erişebilir. Web uygulamasında, herhangi bir zamanda şarj cihazını ev ağına entegre edebilirsiniz.

✓ Şarj cihazı açık. Şarj cihazı, WiFi hotspot'unu otomatik olarak açar.

1. Kişisel cihazınızda, görev çubuğundaki veya bildirim panelindeki ağ veya WiFi simgesine tıklayın.
2. Listeden WiFi ağını seçin. WiFi ağının adı, erişim verilerini içeren zarftaki SSID ile aynıdır ve **ICCPD-#####** olarak gösterilir.
3. Bağlan düğmesine basın.
4. **Güvenlik anahtar** alanına güvenlik parolasını girin (erişim verilerinizi içeren zarfta **WiFi PSK** olarak gösterilir).
  - ➔ WiFi ağına bağlantı kurulur.

Not: Windows 10 işletim sistemi kullanıyorsanız, ilk önce ağ yönlendiricisi PIN kodunu girmeniz istenir. Bunun yerine ağ güvenlik kodu kullanarak bağlan bağlantısını seçin ve kodu girin.
5. Tarayıcınızı açın.
6. Tarayıcının adres çubuğuna şu IP adresini girin: **192.168.0.1**.

#### **i** Bilgi

Kişisel cihazınız bir ev ağına bağlıysa, hotspot IP adresi (192.168.0.1) üzerinden web uygulamasına erişemez; yalnızca otomatik olarak atanmış bir IP adresi veya şarj cihazının sunucu adı ile erişilebilir.

- Mevcut IP adresi girişleri:
  - Web Application: **Bakım** ► **Cihaz bilgileri**
  - Şarj cihazı: **Ayarlar** ► **Ağlar** ► **Ağ bilgileri**
- Mevcut sunucu adı girişleri:
  - Erişim verilerini içeren zarf
  - Web Application: **Bakım** ► **Cihaz bilgileri**

#### Web uygulamasına yönlendirme

#### **i** Bilgi

Kullandığınız tarayıcıya bağlı olarak web uygulaması hemen açılmayabilir. Bunun yerine, ilk olarak tarayıcının güvenlik ayarlarıyla ilgili bir bilgi görüntülenebilir.

1. Görüntülenen tarayıcı uyarı mesajında, **Gelişmiş** öğesini seçin.
2. Sonraki diyalog kutusunda **İstisna ekle** öğesini seçin.
  - ➔ SSL sertifikası onaylanır ve web uygulaması açılır.

#### Şarj geçmişi

Burada, şarj cihazının şarj işlemi kronolojik olarak görüntülenir. Aşağıdaki bilgiler, her şarj işlemi için görüntülenebilir:

- Zaman
- Şarj süresi
- Tüketim

- Maliyet (bir güç yöneticisi bağlıysa)
- Kullanılan hesap (aktif şarj işlemi sırasında bir hesap seçildiyse)

Web uygulaması, şarj geçmişini bir Excel dosyası halinde dışa aktarma seçeneği sunar.

1. **Şarj geçmişini dışa aktar** öğesini seçin.
2. Dosyanın kaydedileceği konumu seçin ve dosyayı kaydedin.

### **i** Bilgi

Her aktif şarj işlemi için **İş** ve **Kişisel** hesapları değerlendirme amaçlı olarak seçime açıktır. Şarj cihazındaki mevcut **Şarj süreci** bilgilerinden hesabı seçebilirsiniz (menü çubuğundaki **i** sembolü). Seçiminiz, aynı zamanda bir sonraki şarj işlemine de uygulanır ve gerekirse değiştirmeniz gerekir.

## Bağlantılar

Şarj cihazının web uygulamasına, bilgilerine ve ayarlarına erişmek için, kişisel cihazınız ve şarj cihazı ev ağına bağlı olmalıdır (WiFi veya PLC bağlantısı üzerinden). Web uygulamasının tüm işlevleri ev ağının internet bağlantısı üzerinden kullanılabilir.

Kullandığınız yerde ev ağı mevcut değilse, doğrudan kendi WiFi hotspot'u üzerinden şarj cihazında oturum açmak için kişisel cihazınızı (PC, tablet veya akıllı telefon) kullanabilirsiniz. Ancak bu durumda internet bağlantısı mevcut olmayacaktır ve yalnızca yerel olarak kurulmuş işlevler kullanılabilir.

### **i** Bilgi

Kişisel cihazınız bir ev ağına bağlıysa, hotspot IP adresi (192.168.0.1) üzerinden web uygulamasına erişemez; yalnızca otomatik olarak atanmış bir IP adresi veya şarj cihazının sunucu adı ile erişilebilir.

- Mevcut IP adresi girişleri:
  - Web Application: **Bakım** ▶ **Cihaz bilgileri**
  - Şarj cihazı: **Ayarlar** ⚙ ▶ **Ağlar** ▶ **Ağ bilgileri**
- Mevcut sunucu adı girişleri:
  - Erişim verilerini içeren zarf
  - Web Application: **Bakım** ▶ **Cihaz bilgileri**

### **i** Bilgi

Kurulum işlemi sırasında cihaz hotspot modundan bir WiFi ağı bağlantısına veya tersine geçiş yaparsa, yeniden oturum açılması gerekir.

Bir hotspot bağlantısı aktifken, yeniden başlatmaya gerek kalmadan Powerline Communication ile ev ağına geçiş yapmak mümkündür.

### **i** Bilgi

Web Application uygulamasını kullanıyorsanız, hotspot bağlantısını yalnızca ev ağına bağlanılabildiği durumlarda devre dışı bırakın.

- ▶ İstenilen ağ bağlantısını (hotspot, WiFi, Elektrik Hattı Üzerinden Haberleşme) seçin.

## Hotspot

Kişisel cihazınız kendi entegre WiFi hotspot'u üzerinden doğrudan şarj cihazına bağlanabilir.

1. **Hotspot kur** öğesini seçin.
2. Ayarlarda, ağ adını ve hotspot'un güvenlik kodunu girin.
  - ▶ Hotspot bağlantısı kurma hakkında bilgi için bkz. ▶ Bkz. sayfa 205, bölüm "Web uygulamasının açılması"..

## WiFi

### **i** Bilgi

Şarj cihazı zaten bir hotspot üzerinden kişisel cihazınıza bağlıysa, aynı zamanda WiFi ağına bağlanamaz. İlk önce hotspot devre dışı bırakılmalıdır.

1. WiFi fonksiyonunu etkinleştirin.
2. Seçin, **Ağa bağlan**.
3. Listeden ağınızı seçin ve **Güvenlik anahtarı** girin. **Farklı ağ:** Listede bulunmayan bir ağı kullanıyorsanız, bunu seçin.
4. IP adresinin otomatik olarak atanıp atanmayacağını seçin (otomatik atama önerilir).
  - ➔ IP adresi, ağa bağlanıldığında görünür.  
Listedeki ağın yanında **Bağlı** durumu görüntülenir.

## WiFi ağlarını yönetme

Seçenek	Açıklama
Farklı ağ	► Ağınız listede görünmüyorsa, bunu seçin.
Bilinen ağları yönet	► Kayıtlı ağları kaldırmak için <b>Sil</b> ögesini seçin. Böylece, şarj cihazı doğru ağa bağlı olur.

## Ağ bağlantısını kesme

1. Şu anda bağlı olan ağı seçin.
2. WiFi ağından bağlantıyı kesmek için **Bağlantıyı kes** ögesini seçin.

## Bir ağ bağlantısını yapılandırma

1. Şu anda bağlı olan ağı seçin.
2. IPv4 adresinin ve DNS sunucusunun ayarlarını değiştirmek için **Yapılandır** ögesini seçin.

 **Bilgi**

Ağ bağlantısı için 2,4 GHz frekans bandı kullanılır. Bağlantı sorunları durumunda, ağ yönlendiricisinde 5 GHz frekans bandını devre dışı bırakın.

## Elektrik Hattı Üzerinden Haberleşme (PLC)

WiFi fonksiyonuna alternatif olarak, şarj cihazınız bir PLC bağlantısı üzerinden ev ağına bağlanabilir. Bunun için, mevcut elektrik şebekesi veri iletimine yönelik bir yerel ağ oluşturmak için kullanılır. Şarj cihazı PLC ağına bir istemci olarak kaydedilir.

Bağlantı kurmak için, PLC modeminin eşleştirme düğmesi kullanılarak şarj cihazı ve PLC modemi birbirine bağlanabilir. Bu durumda, şarj cihazı otomatik olarak PLC modem ile eşleşir. Bağlantı kurmak için bir diğer yöntem de şarj cihazının güvenlik kodunu PLC modeme girmektir.

1. **Elektrik Hattı Üzerinden Haberleşme (PLC)** işlevini etkinleştirin.
2. Şarj cihazını PLC ağına ekleyin:
  - **Seçenek 1:** Eşleştirme düğmesini kullanarak:
    - a. Web uygulamasında, şunu seçin, **PLC Push yöntemi ile bağlan**.
    - b. Seçin, **Eşleştirmeyi başlat**.
    - c. Bir bağlantı kurmak için, 2 dakika içinde PLC modeminin eşleştirme düğmesine basın.
    - d. Eşleştirmeyi onaylamak için, **Bağlan** düğmesine dokununuz.
  - **Seçenek 2:** PLC güvenlik kodunu girerek:
    - a. Seçin, **PLC güvenlik anahtarı ile bağlantı kur**. Güvenlik kodu görüntülenir.
    - b. PLC modeminizin ayarlarında güvenlik kodunu girin.
    - Şarj cihazı PLC ağına entegre olur ve bağlantı kurulur.

## PLC ile araca bağlantı

Bu fonksiyon yalnızca **Müşteri hizmetleri** kullanıcısı tarafından görüntülenebilir ve yapılandırılabilir. PLC bağlantısı devre dışı bırakıldığında, kablo ile araca veri aktarımı sona erer.

Bu mod, örneğin belirli ölçümler için gereklidir.

Veri aktarımı gerçekleşirken, şarj işlemi standart olarak şarj protokolünü (yüksek düzey haberleşme) kullanır.

Veri aktarımı devre dışıyken, şarj işlemi elektriksel parametrelere bağlıdır (atım genişliği modülasyonu).

## Güç yöneticisi ekleme

Şarj kontrolünün güç yöneticisi tarafından üstlenilmesi için, öncelikle şarj cihazı (EEBus cihazı) ve güç yöneticisi birbirine bağlı olmalıdır. Güç yöneticisinin web uygulamasından ve şarj cihazının web uygulamasından (veya doğrudan şarj cihazından) bağlantı kurulabilir.

## Güç yöneticisi üzerinden şarj cihazıyla bir bağlantı kurma

► Şarj cihazıyla bağlantı kurma işlemi, Porsche Home Energy Manager web uygulaması talimatlarındaki "EEBus cihazı ekleme" bölümünde açıklanmıştır.

## Şarj cihazı üzerinden güç yöneticisiyle bir bağlantı kurma

- ✓ Şarj cihazı ve güç yöneticisi aynı ağıdadır.
1. Şarj cihazının web uygulaması üzerinden **Bağlantılar** ► **Güç yöneticisi** ögesine gidin.
    - Güç yöneticisi, **Mevcut güç yöneticileri** listesinde görüntülenir.
  2. Güç yöneticisini seçin ve seçimi genişletin.
  3. **Cihazları eşleştir** ögesini seçin.
    - Bağlantı kontrol edilir.
  4. **Bağlantı kur** iletişim kutusunda, ID numarasını (SKI) kullanarak güç yöneticisinin kimliğini tekrar kontrol edin ve ardından, **Bağlan** ögesini seçin.
    - Enerji yöneticisi bağlanır ve **Güç yöneticisi bağlandı** durumu ile görüntülenir.

Güç yöneticisi ayarları (örneğin, şarj akımı, aşırı yük koruması, optimize edilmiş şarj işlemi ve tarife ayarları ile ilgili bilgiler) şarj cihazına aktarılır.

## Güç yöneticisinden bağlantının kesilmesi:

1. Şarj cihazının web uygulaması üzerinden **Bağlantılar** ► **Güç yöneticisi** ögesine gidin.
  - Bağlı olan enerji yöneticisi **Güç yöneticisi bağlandı** durumu ile görüntülenir.
2. **Bağlantıyı kes** ögesini seçin.
  - Şarj cihazının enerji yöneticisiyle bağlantısı kesilir.

## Kullanıcı profillerinin eşleştirilmesi

### **i** Bilgi

Porsche ID hesabınıza veri aktarmak için, cihaz internete bağlı olmalıdır.

Porsche ID hesabınızda, şarj işlemi ile ilgili bilgileri de alabilirsiniz. Bunun için, şarj cihazı Porsche ID'ye bağlı olmalıdır.

1. **Kullanıcı hesabı bağla** ögesini seçin.
  - **Kullanıcı hesabı bağla** iletişim kutusu açılır.
2. İnternet bağlantısı olup olmamasına bağlı olarak, şu seçeneği belirtin (bkz. "İnternet bağlantısı seçenekleri")
3. Porsche ID hesabı web sitesinde, oturum açma verilerinizi (Porsche ID, parola) girin.

## İnternet bağlantısı seçenekleri

Seçenek	Açıklama
<b>My Porsche'ye</b>	<ul style="list-style-type: none"><li>✓ Web uygulaması internete bağlı.</li><li>► Doğrudan Porsche ID hesabınıza yönlendirilirsiniz.</li></ul>
<b>Diğer seçenekler</b>	<ul style="list-style-type: none"><li>✓ Web uygulaması internete bağlı değil.</li><li>► Mobil cihazınızın internet bağlantısı varsa, görüntülenen QR kodu tarayın veya görüntülenen URL'yi tarayıcınıza manuel olarak girin.</li></ul>

## Ayarlar Sistem

### Demo modu

Bu ayar, yalnızca Müşteri hizmetleri kullanıcısı için görünür. Demo modunda, şarj cihazının fonksiyonları pratik bir şekilde gösterilebilir ve şarj işlemi simüle edilebilir. Demo modunda yapılan ayarlar uygulanmaz.

- ✓ **Müşteri hizmetleri** kullanıcısının oturumu açık.
  - Fonksiyonu etkinleştirin.

Web uygulamasında daha sonra oturum açılırken, demo modu tekrar devre dışı bırakılır.

### Parola değiştirme

Web uygulamasının oturum açma parolasını değiştirebilirsiniz. Yeni parolanın belirlenmesiyle, erişim verilerini içeren zarftaki ilk parola geçersiz hale gelir.

- **Değiştir** ögesini seçin ve yeni parola girin.

## Cihaz korumasını etkinleştirme

PIN kodu sorgulaması, şarj cihazını korumaya ve bir aracın şarj cihazınıza izinsiz şekilde bağlanmasını önlemeye yarar.

1. Fonksiyonu etkinleştirin.
2. 4 haneli bir PIN girin ve onaylayın.
3. PIN kodunu tekrar girin ve onaylayın.
  - PIN sorgulamasının aktif hale getirilmesi onaylanır.
    - Şarj cihazının kilidini açmak için bu PIN kodunu girin.

## Bir misafir PIN kodunun etkinleştirilmesi

Ayrıca, başka bir kullanıcı için bir misafir PIN kodu oluşturabilirsiniz.

- Bu prosedür, cihaz koruması için PIN kodu atarken uygulanan prosedür ile aynıdır.

### **i** Bilgi

Misafir kullanıcı, şarj cihazını yapılandıramaz.

## Güç tüketimini kontrol etme

Elektrik tasarrufu için bekleme modunu etkinleştirin. Şarj işlemi tamamlandığında bekleme modu başlatılır.

- **Bekleme modu** ögesini etkinleştirin.
  - Cihazın bekleme modundan çıkıp yeniden kullanıma hazır hale gelmesi için biraz zaman gereklidir.

### **i** Bilgi

Uzun süre boyunca işlem yapılmadığında, şarj cihazı otomatik olarak bekleme moduna geçer: İlk olarak, cihaz ekranının parlaklığı azaltılır ve ardından, cihaz ekranı kapatılır. Tekrar başlatmak için güç düğmesine basın.

## Dil ve ülke seçme

Alan	Açıklama
Dil	Web uygulaması için dil seçilir.
Ülke	Kullanıldığı ülke. Yapılandırma ayarları, ülkeye göre değişir. Cihazın kullanıldığı ülkeden çıkmadığında, bazı ayarlar kullanılamaz.

## Tarihin ve saatin ayarlanması

Alan	Açıklama
Tarih ve saat	Ağ bağlantısı mevcut ise, tarih ve saat otomatik olarak ayarlanır. <b>Zaman dilimi:</b> Manuel olarak seçilebilir. <b>Saat:</b> Referans olarak ağ saati kullanılmıyorsa, geçerli saati girin.

## Birimler

Şarj cihazının kullanmasını istediğiniz parametreleri ve birimleri seçin.

## Cihaz ekranı

Bu ayar, şarj cihazının ekran parlaklığını belirler.

## Şarj etme

## Şebeke durumu

Bu ayar, yalnızca **Müşteri hizmetleri** kullanıcısı için görünür. Şarj cihazı, burada gösterilen şebeke durumu bilgilerini otomatik olarak algılar.

Ekran	Açıklama
Şebeke fazları	Besleme kablosunun faz sayısı.
Kablo tipi	Araç şarj kablosunun tipi. Kablo tipi, maksimum şarj akımının ayarlanmasına yönelik önemli bilgiler sağlar.
Kısıtlı kullanım	Bu değer, şarj işlemi sırasında aşırı ısınma nedeniyle hangi şarj gücü sensörlerinin kısıtlanacağını gösterir: <ul style="list-style-type: none"> <li>0: Mikro kontrolörde aşırı sıcaklık</li> <li>1: Rölede aşırı sıcaklık</li> <li>2: İç aşırı sıcaklık</li> <li>3: Altyapı kablosu sensörü 1 aşırı sıcaklık</li> <li>4: Altyapı kablosu sensörü 2 aşırı sıcaklık</li> </ul>

## Topraklama takibi



TEHLİKE

Elektrik çarpması, kısa devre, yangın, patlama

Şarj cihazının aktif topraklama takibi olmadan kullanılması, elektrik çarpmasına, kısa devrelere, yangına, patlamalara veya yanıklara neden olabilir.

- ▶ Şarj cihazı, tercihen topraklanmış şebeke sistemlerinde kullanılmalıdır.
- ▶ Topraklama takibini yalnızca topraklanmamış şebeke sistemlerinde devre dışı bırakın.
- ▶ Topraklama takibini topraklanmış şebeke sistemlerinde etkinleştirin.

Topraklama takibini devreye alma ve devre dışı bırakma ► Bkz. sayfa 203, bölüm "Topraklama takibini devreye alma ve devre dışı bırakma".

## Şarj akımının uyarlanması

Araca ulaşan şarj akımı çok yüksekse, sigorta tetiklenebilir ve bu sigortaya bağlı alanda güç temini kesintiye uğrar.

Şarj cihazına bir güç yöneticisi bağlıysa, aşırı yük koruması şarj cihazına giren şarj akımını izler. Ev ağında güç yöneticisi bulunmuyorsa, şarj cihazının maksimum şarj akımını belirlemeniz gerekir.

Girdiğiniz şarj akımı, elektrik tesisatının kaldırabileceği maksimum şarj akımı değerini aşmamalıdır.

Maksimum şarj akımını belirlerken, aşağıdakileri göz önünde bulundurun:

- Şarj cihazına bağlı kablo tipi
- Bu kabloya veya sigortaya bağlı diğer yükler

Besleme kabloları ve farklı ülkelerde kullanımları hakkında bilgi Bkz. sayfa 193, bölüm "Besleme kablosu seçimi"..

## **i** Bilgi

Şarj gücü, kesinlikle kullanılan elektrik devresinin izin verdiği maksimum güçten yüksek bir değere ayarlanmamalıdır.

Bu konuda emin değilseniz, lütfen yetkili bir elektrik teknisyenine danışın.

## **i** Bilgi

Bir güç yöneticisi bağlıysa, güç yöneticisinin ayarları girdiğiniz değeri geçersiz bırakır.

- ✓ Araç kablosu şarj cihazına bağlı.
- ▶ Web uygulamasında, minimum ve maksimum şarj akımını ayarlamak için kontrol ünitesini kullanın.

## Servis

### Cihaz bilgilerinin görüntülenmesi

Bu bilgiler, versiyon numarası, seri numarası ve su-nucu adı gibi cihaz verilerine dayalıdır.

Hata mesajı alınması durumunda Porsche yetkili ser-visi bu verilere ihtiyaç duyacaktır.

### Toplam çalışma süresi bilgilerini görüntüleme

Ekran	Açıklama
Toplam enerji tüketimi	Bu şarj cihazının önceki tüm şarj işlemleri için toplam güç tüketimini görüntüler.
Toplam şarj süresi	Bu şarj cihazının önceki tüm şarj işlemleri için toplam şarj süresini görüntüler.

### Olay belleğinin görüntülenmesi

Bu ayar, yalnızca **Müşteri hizmetleri** kullanıcısı için görünür. Burada gösterilen olay belleği bilgileri, sis-tem testi sırasında meydana gelen hata mesajlarını ifade eder. Aktif ve pasif olay kayıtları görüntülenir. Pasif olaylara kıyasla, aktif olaylar veya hatalar devam etmektedir.

- ▶ Hata mesajlarını ve sistem testi sonuçlarını gö-rüntülemek için, ilgili kaydı seçin.

### Yazılım güncellemelerini yükleme

Şarj cihazı, standart olarak yazılım güncellemelerini arar ve indirir. Bu ayar, yazılım güncellemesini oto-matik veya manuel olarak yükleme seçimini belirler. **Yazılım sürümü:** Yüklü olan yazılım sürümünü görün-tüler.

## **i** Bilgi

Yazılım güncellemelerini aramak ve indirmek için, şarj cihazı internete bağlı olmalıdır.

### Otomatik güncelleme

Bu fonksiyon etkinleştirildiğinde, şarj cihazı yazılım güncellemelerini otomatik olarak yükler.

- ▶ **Otomatik yazılım güncellemeleri** öğesini seçin.

### Manuel güncelleme

Yeni bir yazılım versiyonu varsa, kontrol panelindeki cihaz durumu alanında bir bildirim görünür.

- ✓ **Otomatik yazılım güncellemeleri** devre dışı.
- ▶ Kurulumla başlamak için **Yazılım güncellemesini gerçekleştir** öğesini seçin.

### Ayarların kaydedilmesi

Yapılandırma ayarları ve daha önce girilen veriler, yedekleme kullanılarak kaydedilebilir. Yedeklenen ve-rileri gerekirse geri çağırabilirsiniz. Örneğin, fabrika ayarlarına sıfırlamadan sonra. Yedekler, web uygula-masında manuel olarak oluşturulur.

Hiçbir parola veya şarj geçmiş gibi kişisel veriler ye-değe kaydedilmez.

### Yedek oluşturma

Manuel yedekleme yapılırsa, veriler kişisel cihazınıza kaydedilir.

- ✓ Kişisel cihazınız ve şarj cihazı, aynı ağa bağlı.

1. **Dışa aktar** öğesini seçin.
2. Kayıt yerine gidin.
3. Yedek dosyasını kaydedin.

### Parola belirleyin:

Bir parola girin.  
Parola, verilerinizi korur ve yedeği içe aktarırken veya geri yüklerken girilmelidir.

### Bir yedeği geri çağırma

Kayıtlı yedek dosyası, kişisel cihazınızdan şarj cihazına aktarılabilir.

- ✓ Kişisel cihazınız ve şarj cihazı, aynı ağa bağlı.

1. **İçe aktar** öğesini seçin.
2. Yedek dosyasına gidin ve dosyayı seçin.
3. Yedek dosyasını kaydederken kullanılan parolayı girin.

### Fabrika ayarlarına dönüş

Bu fonksiyonu etkinleştirmekle, şarj geçmişi ve ağ ayarları gibi tüm kişisel veriler ve yapılandırmalar silinir. Ayrıca, tüm parolalar erişim verileri zarfındaki ilk parolalara sıfırlanacaktır.

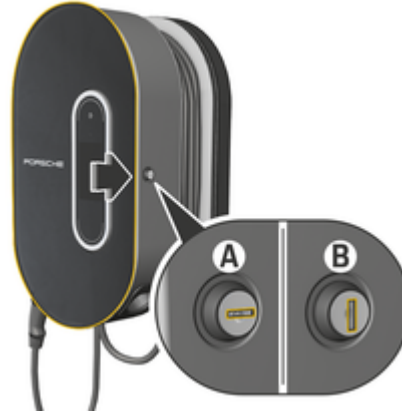


- **Fabrika ayarlarına sıfırla** öğesini etkinleştirin. Yedek oluşturmak için Bkz. sayfa 210, bölüm "Servis".

### **i** Bilgi

Ayarlar fabrika durumuna sıfırlanırsa, cihazın bir sonraki kullanımında kurulum yardımcısı en önemli şarj cihazı ayarları ile ilgili destek sağlar.

## Şarj kaidesi



Res. 94: Şarj kaidesi

### Şarj kaidesinin açılması

- Şarj kaidesinin kapağına **ok yönünde** bastırın. Kapak kendiliğinden açılır.

### Şarj kaidesinin kapatılması

- Şarj kaidesinin kapağını kapatın ve **ok yönünde** bastırın.

### Şarj kaidesinin kilitlenmesi

- Kilidi **A** (Res. 94) konumuna çevirin.

### Şarj kaidesi kilidinin açılması

- Kilidi **B** (Res. 94) konumuna çevirin.

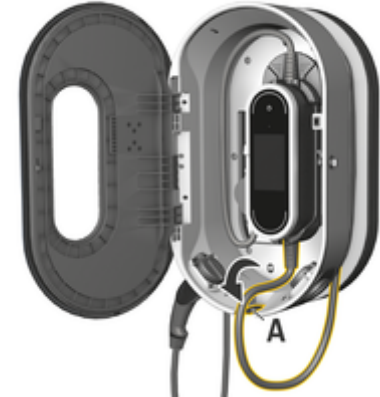
## Kontrol ünitesinin şarj kaidesine takılması ve şarj kaidesinden çıkarılması

### NOT

Şarj cihazında hasar

- Kapakları daima kapalı tutun.
- Kapak veya şarj kaidesi üzerine herhangi bir nesne koymayın.

### Kontrol ünitesinin şarj kaidesine takılması

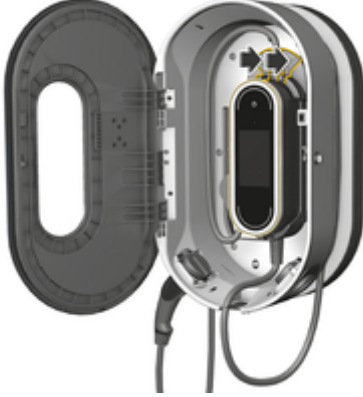


Res. 95: Kontrol ünitesinin takılması

1. Şarj kaidesi kapağını açın.
2. Kontrol ünitesini şarj kaidesi kilitleme tırnaklarının altına yerleştirin ve arkadan sabitleyin.
3. Araç kablosunu **A** (Res. 95) açıklığından geçirin ve fazlalık kabloları şarj kaidesi etrafına sarın.
4. Besleme kablosunu elektrik prizine takın.

5. Şarj kaidesi kapağını kapatın.

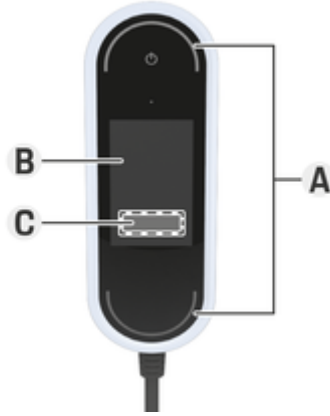
### Kontrol ünitesinin şarj kaidesinden çıkarılması



Res. 96: Kontrol ünitesinin takılması

1. Şarj kaidesi kapağını açın.
2. Besleme kablosunu elektrik prizinden çıkarın.
3. Şarj kaidesine sarılı olan araç kablosunu açın.
4. Serbest bırakma koluna (ok) basarak kontrol ünitesini bağlantısından ayırın ve çıkarın.

## Arızalar



- A** Durum LED'leri kırmızı yanar  
**B** Hata mesajı ve nedeni  
**C** Çözüm

Bir arıza durumunda, şarj cihazında ilgili bir mesaj görüntülenir. Durum LED'leri ve güç düğmesi kırmızı yanar. Mesaj, hatanın detaylarını, nedeni hakkındaki bilgileri ve çözüm işlemlerini gösterir.

- ▶ Çözüm için verilen talimatları takip edin.

**NOT**

Şarj cihazında hasar



- ▶ Bir hata devam ederse veya tekrar meydana gelirse, şarj cihazının şebeke bağlantısını kesin ve yetkili bir elektrik teknisyeni ile görüşün. Porsche, yetkili bir Porsche yetkili servislerini tercih etmenizi önerir.

Aşağıdaki genel bakışta, aracın şarj edilmesini kısıtlayan veya engelleyen arızalar için öneriler verilmektedir.

Res. 97: Arızaların görüntülenmesi

Durum	Önerilen işlem
Gösterim (ekran, durum LED'leri, güç düğmesi) tamamen çalışmaz halde.	<ul style="list-style-type: none"> <li>▶ Şarj cihazının şebeke bağlantısını kesin ve değiştirilmesini sağlayın.</li> <li>▶ Ev elektrik tesisatını yetkili bir elektrik teknisyenine kontrol ettirin.</li> </ul>
Ekran boş, durum LED'lerinin rengi değişmiyor ve güç düğmesi kırmızı yanıyor.	<ul style="list-style-type: none"> <li>▶ Şarj cihazı aşırı ısınıyor. Şarj cihazını elektrik şebekesinden ayırın ve kendi kendine yavaşça soğumasını bekleyin.</li> <li>▶ Hata devam ederse, şarj cihazının değiştirilmesini sağlayın.</li> </ul>
Kısıtlı çalışma veya şarj edilemiyor (ekranda mesaj).	<ul style="list-style-type: none"> <li>▶ Kablonun ve araç kablosunun kontrol ünitesine doğru şekilde bağlandığından emin olun.</li> <li>▶ Şarj cihazının izin verilen sıcaklık aralığında olduğundan emin olun.            ▶ Bkz. sayfa 218, bölüm "Teknik veriler".</li> <li>▶ Verilen hata mesajlarını onaylayın.</li> <li>▶ Şarj cihazını yeniden çalıştırın. Yeniden başlatmak için güç düğmesini en az 10 saniye basılı tutun.</li> </ul>

## Arızalar

Durum	Önerilen işlem
Şarj akımı çok düşük (ekranda mesaj).	▶ Ev şebekesi aşırı yüklü. Diğer yüksek elektrik yüklerini kapatın.
Şebeke voltajı çok yüksek (ekranda mesaj).	▶ Ev elektrik tesisatını yetkili bir elektrik teknisyenine kontrol ettirin.
Şarj cihazı izin verilen sıcaklık aralığında değil (ekranda mesaj).	▶ Cihaz sıcaklığı otomatik kapanma: Doğrudan güneş ışığından kaçının ve şarj cihazının kendi kendine yavaşça soğumasını bekleyin. ▶ Düşük sıcaklık otomatik kapanma: Şarj cihazını kullanmadan önce ılık bir ortamda ısınmasını bekleyin. ▶ Cihaz sıcaklık sensörü arızası: Şarj cihazının değiştirilmesini sağlayın.
Ev tesisatındaki devre kesici tetiklendi (ekranda mesaj).	▶ Şarj cihazında şarj akımı ayarlarını düşürün. ▶ Verilen hata mesajlarını onaylayın.
Bir şarj kesintisi görüntülenir: ▶  Güç düğmesi beyaz renkle yanar. ▶  Durum LED'leri mavi renkle yanıp söner. ▶ Ekran açılır.	▶ Araç şarj işlemini otomatik olarak tekrar başlatana kadar bekleyin. ▶ Şarj işlemi araç üzerinde durdurulabilir.

## Taşıma

### ⚠ UYARI

Sabitlenmemiş yük

Sabitlenmemiş ya da hatalı şekilde yerleştirilmiş olan şarj cihazı kayabilir veya frenleme, hızlanma, yön değiştirme ya da kaza anında aracın yolcuları için tehlike oluşturabilir.

- ▶ Şarj cihazını emniyete almadan taşımayın.
- ▶ Şarj cihazını sadece bagaj bölmesinde taşıyın, asla yolcu bölgesine yük yerleştirmeyin (örneğin, koltukların önüne ya da üzerine).

### Şarj cihazının taşıma için emniyete alınması

Şarj cihazı, araç tipine bağlı olarak bir taşıma çantası ile birlikte verilebilir.

- ▶ Taşıma çantası verilmişse: Şarj cihazını daima taşıma çantasına koyarak taşıyın. Taşıma çantasının ön ve arka halkalarını kancalara geçirin. Bagaj bölmesindeki bağlama kancaları hakkında bilgi için:
  - ▷ Sürücü El Kitabı'na bakın.
- ▶ Taşıma çantası verilmemişse: Şarj cihazını, taşınmak üzere arka bagaj bölgesine yerleştirin.
- ▶ Araç tipine bağlı olarak, şarj cihazını tehlikeli durumlarda yolcuları tehlikeye sokmayacak bir şekilde muhafaza edin.

### Temizlik ve bakım

Şarj cihazının hasarlı veya kirli olup olmadığını düzenli aralıklarla kontrol edin ve gerekirse temizleyin.



**TEHLİKE**

Elektrik çarpması, yangın

Yangın veya elektrik çarpması nedeniyle ciddi ya da ölümcül yaralanma tehlikesi.

- ▶ Şarj cihazını veya fişleri kesinlikle suya daldırmayın veya doğrudan üzerlerine su püskürtmeyin (örneğin yüksek basınçlı temizleme ekipmanları veya hortumlar).
- ▶ Şarj cihazını yalnızca kontrol ünitesinin şebekeye ve araca olan bağlantısı tamamen kesilmiş haldeyken temizleyin. Temizlik için kuru bir bez kullanın.

## İmha

Elektrikli/elektronik cihazlar, bir toplama noktasında veya atık yönetim tesisinde işlenmelidir.

- ▶ Elektrikli/elektronik cihazları evsel atıklarla birlikte atmayın.
- ▶ Elektrikli/elektronik cihazları, geçerli çevre koruma düzenlemeleri doğrultusunda bertaraf edin.
- ▶ Ürünün imha edilmesine ile ilgili sorularınız varsa, bir Porsche yetkili servisi ile görüşün.

## Teknik veriler

Elektrik verileri 9Y0.971.675...	BE MCC72E2 A <sup>1)</sup>	BG MCC11E3 A <sup>1)</sup>	BJ MCC22E3 A <sup>1)</sup>
Güç	<b>7,2 kW</b>	<b>11 kW</b>	<b>22 kW</b>
Nominal akım	16 A, 2 faz 32 A, 1 faz	16 A, 3 faz	32 A, 3 faz
Şebeke voltajı	100 – 240 V/400 V	100 – 240/400 V	100 – 240/400 V
Fazlar	2/1	3	3
Şebeke frekansı	50 Hz/60 Hz	50 Hz/60 Hz	50 Hz/60 Hz
Aşırı voltaj kategorisi (IEC 60664)	II	II	II
Entegre kalan akım cihazı	Tip A (AC: 30 mA) + DC: 6 mA	Tip A (AC: 30 mA) + DC: 6 mA	Tip A (AC: 30 mA) + DC: 6 mA
Koruma sınıfı	I	I	I
Koruma derecesi	IP55 (ABD: Muhafaza 3R)	IP55 (ABD: Muhafaza 3R)	IP55 (ABD: Muhafaza 3R)
İletim frekans bantları	2,4 GHz, 5 GHz	2,4 GHz, 5 GHz	2,4 GHz, 5 GHz
İletim gücü	20 dBm	20 dBm	20 dBm
Mekanik veriler 9Y0.971.675...	BE MCC72E2 A <sup>1)</sup>	BG MCC11E3 A <sup>1)</sup>	BJ MCC22E3 A <sup>1)</sup>
Kontrol ünitesinin ağırlığı	2,54 kg		
Araç kablosunun uzunluğu	2,5 m veya 7,5 m		
Besleme kablosunun uzunluğu	0,9 m		



Temel duvar ünitesi için mekanik veriler 9Y0.971.675...	BE MCC72E2 A <sup>1)</sup>	BG MCC11E3 A <sup>1)</sup>	BJ MCC22E3 A <sup>1)</sup>
Temel duvar ünitesi boyutları	385 mm x 135 mm x 65 mm (uzunluk x genişlik x yükseklik)		
Temel duvar ünitesinin ağırlığı	yaklaşık 0,45 kg		
Kablo kılavuzu boyutları	127 mm x 115 mm x 139 mm (uzunluk x genişlik x yükseklik)		
Kablo kılavuzu ağırlığı	yaklaşık 0,42 kg		
konnektör bağlantısı boyutları	136 mm x 50 mm x 173 mm (uzunluk x genişlik x yükseklik)		
Konnektör bağlantısı ağırlığı	yaklaşık 0,14 kg		
Bütün temel duvar ünitesinin ağırlığı	yaklaşık 1 kg		

<sup>1)</sup> A, bekleyen tasarım değişiklikleri anlamına gelir ve herhangi bir harf olabilir.

Şarj kaidesi için mekanik verileri 9Y0.971.675...	BE MCC72E2 A <sup>1)</sup>	BG MCC11E3 A <sup>1)</sup>	BJ MCC22E3 A <sup>1)</sup>
Şarj kaidesi boyutları	373 mm x 642 mm x 232 mm (genişlik x yükseklik x derinlik)		
Şarj kaidesinin ağırlığı	yaklaşık 9,7 kg		
Ortam ve saklama koşulları 9Y0.971.675...	BE MCC72E2 A <sup>1)</sup>	BG MCC11E3 A <sup>1)</sup>	BJ MCC22E3 A <sup>1)</sup>
Ortam sıcaklığı	-30°C ila +50°C		
Nem	%5 – %95 yoğuşmasız		
Rakım	maks. 5.000 m		

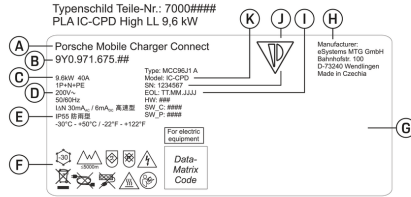
<sup>1)</sup> A, bekleyen tasarım değişiklikleri anlamına gelir ve herhangi bir harf olabilir.



03725-21-12707

Este equipamento opera em caráter secundário, isto é, não tem direito a proteção contra interferência prejudicial, mesmo de estações do mesmo tipo, e não pode causar interferência a sistemas operando em caráter primário". Para maiores informações, consulte o site da ANATEL [www.anatel.gov.br](http://www.anatel.gov.br)

## Tanımlama plakası



Res. 98: Tanımlama plakası (örnek)

- A** Ürün adı
- B** Parça numarası
- C** Güç ve nominal akım
- D** Şebeke voltajı
- E** Koruma derecesi
- F** Kullanım için resimler
- G** Sertifika bilgileri
- H** Üretici
- I** Üretim Tarihi
- J** Seri numarası
- K** Tip tanımlaması

## Üretim hakkında bilgiler

### Üretim Tarihi

Şarj cihazının üretim tarihi, tanımlama plakasında "EOL i.O." kısaltmasının yanında görülebilir. Aşağıdaki formatta gösterilir: Üretim günü. Üretim ayı. Üretim yılı

### Şarj cihazının üreticisi

eSystems MTG GmbH  
Bahnhofstraße 100  
73240 Wendlingen  
Almanya

### Elektrik testi

Şarj altyapısının (ör. VDE 0702) düzenli elektrik kontrolü hakkında sorularınız olduğunda lütfen <https://www.porsche.com/international/accessoriesandservice/porscheservice/vehicleinformation/documents/> adresinden veya bir Porsche ortadan bilgi edinin.

### Uygunluk Beyanı

Şarj cihazının bir radyo sistemi vardır.

Bu radyo sistemlerinin üreticisi, bu radyo sisteminin kullanım özellikleri açısından 2014/53/AB sayılı Yönetmelik ile uyumlu olduğunu beyan etmektedir.

AB Uygunluk Beyanı'nın tam metni aşağıdaki internet adresinde bulunabilir:

► <http://www.porsche.com/international/accessoriesandservice/porscheservice/vehicleinformation/documents>

## İthalatçılar

### Abu Dhabi: Ali & Sons Co. L.L.C

Porsche Centre Abu Dhabi  
Zayed 2nd Street  
Abu Dhabi  
United Arab Emirates  
P.O. Box 915  
Telefon: +971 2 619 3911

### Dubai: Al Nabooda Automobiles L.L.C

Porsche Centre Dubai  
Sheikh Zayed Road E11  
Dubai  
United Arab Emirates  
P.O. Box 10773  
Telefon: +971 4 305 8555

**Great Britain**

Singapur 069046

**UK  
CA**

Porsche Cars Great Britain Ltd.

Bath Road

Calcot, Reading, Berkshire

RG31 7SE

United Kingdom

**Russland**

Porsche Russia

Ленинградское шоссе дом 71А, строение 10

125445, Москва, Россия

Telefon: +7-495-580-9911

**Singapur: Porsche Singapore**

Porsche Asia Pacific Pte Ltd

20 McCallum Street #12-01

Tokio Marine Centre

## Dizin

## A

Ağ bağlantısı kurma	
Güç Hatından Haberleşme (PLC).....	207
Hotspot.....	206
WiFi.....	206
Aletler.....	191
Araç şarj kablosu	
Kablo ve fiş tipleri.....	193
Araç şarj portu.....	202
Anzalar.....	213

## B

Bağlantılar	
Güç yöneticisi.....	199
Hotspot.....	199
PLC eşleştirme düğmesi.....	198
PLC güvenlik kodu.....	198
WiFi.....	198
Bakım.....	216
Besleme kabloları.....	193
Besleme kablosu	
Endüstriyel priz.....	195
Ev tipi priz.....	195
Bu Sürücü El Kitabındaki Semboller.....	181

## C

Cihaz koruması.....	199
---------------------	-----

## Ç

Çalıştırma.....	198
-----------------	-----

## D

Daha Fazla Bilgi.....	183
Dil ve ülke.....	198
DNS sunucusu yapılandırma.....	206

## E

Ekran	
Dil ve ülke.....	198
Durum çubuğu.....	188
Gezin.....	189
Menü çubuğu.....	189
Erişim bilgileri	
Şarj cihazının seri numarası.....	187
Web uygulaması.....	187
Erişim verileri.....	186
Ev ağı.....	198
IP adresi.....	206
Sunucu adı.....	206

## G

Geçerli şarj işlemi.....	200
Gerekli aletler.....	191
Güç yöneticisi.....	199
Ekleme.....	207
Eşleştirme.....	207
Şarj akımının uyarlanması.....	199
Güvenlik talimatları.....	184

## H

Hesap girme.....	208
Hotspot.....	199
Ayarlar.....	206

## I

IP adresi.....	206
IPv4 adresi yapılandırma.....	206

## İ

İmha.....	217
İthalatçılar.....	220

## K

Kablolar	
Bağlantı kesme.....	197
Sabitleme.....	198
Kabloların ve araç kablolarının değiştirilmesi.....	197
Kayıp erişim verileri.....	186
Konektör bağlantılarının takılması.....	191
Kontrol seçenekleri.....	189
Kontrol ünitesi.....	188
Bağlantılara genel bakış.....	187
Duvar ünitesinin monte edilmesi.....	192
Ekran.....	188
Kontrol ünitesinin şarj kaidesinden çıkarılması... ..	211
Kontrol ünitesinin şarj kaidesine takılması.....	211
Kullanıcı profillerinin eşleştirilmesi.....	199, 208
Kullanım talimatları.....	201
Kurulum asistanı.....	200
Kurulum yerinin seçilmesi.....	190
<b>P</b>	
Paket içeriği.....	186
PIN sorgulaması ayarlama.....	199
PIN ve PUK	
Kayıp.....	187
Parola değiştirme.....	187
Piktogramlar.....	183
Porsche ID.....	187
Porsche ID eşleştirme.....	199

## S

Seri numarası.....	220
Sunucu adı.....	206
Sürücü El Kitabı'na	
Daha Fazla Bilgi.....	183
Veri gizliliği bilgileri.....	183

**Ş**

Şarj akımını sınırlama.....	203
Şarj akımının uyarlanması.....	199
Şarj cihazı	
Bağlanma.....	205
Başlangıç parolası.....	186
Cihaz durumu.....	200
Piktogramlar.....	183
Şarj durumu.....	200
Şarj gücü.....	200
Şarj cihazında oturma açma.....	200
Şarj cihazının parça numarası.....	218
Şarj cihazının satılması.....	187
Şarj cihazının seri numarası.....	187
Şarj durumu.....	200
Şarj etme	
Bitirme.....	202
Çalıştırma.....	202
Duraklatma.....	202
Şarj geçmişini dışa aktarma.....	205
Şarj gücü	
Görüntüleme.....	200
Şarj işlemi	
Enerji tüketimi.....	205
Görüntüleme.....	205
Şarj işlemi sırasında enerji tüketimi.....	200
Şarj kablosu	
Kablo ve fiş tipleri.....	193
Şarj kaidesi.....	211
Açma.....	211
Kapatma.....	211
Kilit açma.....	211
Kilitleme.....	211
Şarj kaidesinin montajı	
Ara parça ile montaj.....	192
Ara parçaları olmadan montaj.....	193
Şarj süreleri.....	202
Şebeke seçimi.....	198

**T**

Tanımlama plakası.....	220
Taşıma için sabitleme.....	215
Taşıma, şarj cihazının sabitlenmesi.....	215
Teknik veriler	
Elektrik verileri.....	218
Mekanik veriler.....	218
Ortam ve saklama koşulları.....	218
Temel duvar ünitesinin kurulması.....	191
Temizleme.....	216
Toplam enerji tüketimi	
Geçerli şarj işlemi.....	200
Topraklama takibi	
Devre dışı bırakma.....	203
Etkinleştirme.....	204

**U**

Uyarı bildirimlerinin yapısı.....	181
Uygun kullanım.....	185
Uygunluk Beyanı.....	220

**Ü**

Üretici.....	220
Üretim hakkında bilgiler.....	220
Üretim Tarihi.....	220

**V**

Veri gizliliği bilgileri.....	183
Veri transferi.....	198

**W**

Web uygulaması	
Açma.....	204
Başlangıç parolası.....	187
Hotspot.....	204
İşletime alma.....	200
Parola değiştirme.....	187
Parola kaybı.....	187
WiFi.....	204

## WiFi ağı

Bağlanma.....	206
Bağlantı kesme.....	206
Bilinmeyen ağ.....	206
Yönetim.....	206

**Y**

Yazılım güncellemesi.....	198
---------------------------	-----

## Об этом руководстве

### Предупредительные указания и обозначения

В настоящем руководстве используются различные типы предупредительных указаний и символов.



**ОПАСНО**

Тяжелые травмы или смерть

Невыполнение предупредительных указаний категории «Опасно» приводит к тяжелым травмам или смертельному исходу.



**ПРЕДУПРЕЖДЕНИЕ**

Возможны тяжелые травмы или смерть

Невыполнение предупредительных указаний категории «Предупреждение» может привести к тяжелым травмам или смертельному исходу.



**ВНИМАНИЕ**

Возможны травмы средней или легкой степени тяжести

Невыполнение предупреждающих указаний категории «Внимание» может привести к травмам средней или легкой степени тяжести.

### ПРИМЕЧАНИЕ

Возможен материальный ущерб

Невыполнение предупреждающих указаний категории «Примечание» может привести к повреждению компонентов автомобиля.



### Информация

Дополнительная информация отмечена словом «Информация».

- ✓ Условия, которые должны быть выполнены для использования определенной функции.
  - ▶ Указание о выполнении действия, которое необходимо соблюдать.
1. Указания о выполнении действия нумеруются, если необходимо последовательно выполнить несколько действий.
  2. Рабочие инструкции на центральном дисплее, которые необходимо соблюдать.
- ▶ Указание о том, где можно найти дополнительную информацию по какой-либо теме.

## Deutsch

### К руководству по эксплуатации

Пояснение пиктограмм.....	226
Политика конфиденциальности.....	226
Дополнительная информация.....	227

### Безопасность

Указания по технике безопасности.....	227
Использование по назначению.....	229

### Комплект поставки

Данные доступа.....	230
---------------------	-----

### Обзор

Разъемы на панели управления.....	231
Панель управления зарядного устройства.....	232
Элементы индикации и управления на дис- плее.....	232

<b>Выбор места монтажа.....</b>	<b>234</b>
---------------------------------	------------

<b>Необходимый инструмент.....</b>	<b>235</b>
------------------------------------	------------

### Монтаж

Монтаж настенного крепления.....	235
Монтаж без проставки.....	236
Монтаж с проставкой.....	237

### Настройка

Автомобильный зарядный кабель и сетевой кабель.....	238
Ввод в эксплуатацию и конфигурация.....	243
Ввод в эксплуатацию с помощью веб-прило- жения.....	244
Авторизация на зарядном устройстве.....	245
Запуск настройки на зарядном устройстве....	245
Обзор.....	245

### Управление

Указания по использованию.....	246
Зарядка.....	247
Авторизация в веб-приложении.....	249
Работа с веб-приложением.....	250
Зарядная док-станция.....	257

<b>Нарушения работы.....</b>	<b>259</b>
------------------------------	------------

<b>Транспортировка.....</b>	<b>262</b>
-----------------------------	------------

<b>Очистка и обслуживание.....</b>	<b>263</b>
------------------------------------	------------

<b>Утилизация.....</b>	<b>264</b>
------------------------	------------

### Технические характеристики

Заводская табличка.....	267
Данные о производстве.....	267
Импортеры.....	268

<b>Алфавитный указатель.....</b>	<b>269</b>
----------------------------------	------------

## К руководству по эксплуатации

### Пояснение пиктограмм

В некоторых странах на зарядное устройство могут быть нанесены различные пиктограммы.



Зарядное устройство следует эксплуатировать в диапазоне температур от  $-30\text{ }^{\circ}\text{C}$  до  $+50\text{ }^{\circ}\text{C}$ .



Зарядное устройство следует использовать на высоте не более 5000 м над уровнем моря.



Зарядное устройство оснащено незамыкаемым защитным проводом.



Зарядное устройство оснащено замыкаемым защитным проводом.



Зарядное устройство подлежит утилизации в соответствии со всеми действующими предписаниями.



Не используйте удлинители и кабельные барабаны.



Не используйте (дорожные) переходники.



Не используйте сетевые фильтры.



Не используйте зарядное устройство с поврежденной электроникой или соединительными проводами.



Опасность поражения электрическим током из-за ненадлежащего использования.



Учитывайте соответствующее руководство по эксплуатации, в частности предупредительные указания и указания по безопасности.



Поверхность зарядного устройства может сильно нагреваться.



Не используйте зарядное устройство в незаземленных электрических сетях (например, сети IT). Эксплуатируйте зарядное устройство исключительно в электрических сетях, имеющих надлежащее заземление.



Зарядное устройство теперь может эксплуатироваться в однофазных электрических сетях.



Для зарядного устройства требуется электропитание переменным током.



Обозначение штекера типа 1 с диапазоном напряжения  $\leq 250\text{ В}$  перем. тока.



Обозначение штекера типа 2 с диапазоном напряжения  $\leq 480\text{ В}$  перем. тока.

### Политика конфиденциальности

Чтобы гарантировать возможность соединения и актуальность вашего зарядного оборудования Porsche, зарядное оборудование регулярно кодирует следующие данные оборудования и передает их в Porsche, где данные обрабатываются: идентификация устройства, марка, поколение, тип устройства и версия ПО.

Если вы добровольно хотите пользоваться другими службами Porsche Connect для зарядного оборудования, необходимо привязать свое зарядное оборудование к своей учетной записи Porsche ID, которая предлагается на выбранных рынках соответствующей организацией по продажам Porsche Connect. В рамках использования служб Porsche Connect в компанию Porsche для последующей обработки передаются следующие персональные и другие характерные для устройства данные: идентификационный номер клиента, статистика, информация о ходе зарядки, статус, статус соединения и временная метка предыдущего сеанса связи. Подробную информацию по общим коммерческим условиям и заявлении о конфиденциальности можно найти на сайте [www.porsche.com/connect-store](http://www.porsche.com/connect-store).

Интернет-провайдер может взимать дополнительную плату за регулярную передачу данных вашим зарядным оборудованием. Безвозвратно удалить данные, сохраненные в Porsche, можно на портале My Porsche. В силу технических или за-



конодательных ограничений некоторые службы Porsche Connect для зарядного оборудования Porsche доступны не во всех странах.

## Дополнительная информация

Дополнительную информацию по зарядному устройству и веб-приложению можно найти в разделе «E-Performance» на сайте <https://www.porsche.com>.

## Безопасность

### Указания по технике безопасности

**⚠ ОПАСНО**

Поражение электрическим током, короткое замыкание, пожар, взрыв, огонь

Использование поврежденного или неправильного зарядного устройства, а также поврежденной или неправильной розетки, ненадлежащее применение зарядного устройства или несоблюдение указаний по технике безопасности могут вызвать короткие замыкания, поражение электрическим током, взрывы, пожары или ожоги.

- ▶ Используйте только допущенные и выданные компанией Porsche принадлежности, например сетевые и автомобильные кабели.
- ▶ Не используйте поврежденное и/или загрязненное зарядное устройство. Перед использованием проверьте кабель и штекерное соединение на наличие повреждений и загрязнений.
- ▶ Подключайте зарядное устройство только к надлежащим образом установленным и неповрежденным розеткам, а также к исправному электрическому оборудованию.
- ▶ Не используйте удлинительные кабели, кабельные барабаны, разветвители розеток и (дорожные) переходники.
- ▶ Во время грозы отключайте зарядное устройство от электросети.

- ▶ Не вносите изменения в конструкцию электрических компонентов и не производите их ремонт.
- ▶ Устранение неисправностей и проведение ремонта зарядного устройства следует поручать только специалистам.

**⚠ ОПАСНО**

Поражение электрическим током, пожар

Неадекватным образом установленные розетки при зарядке высоковольтной АКБ через автомобильный зарядный разъем могут привести к поражению электрическим током или пожару.

- ▶ Проверку электропитания, монтаж и первый ввод в эксплуатацию розетки зарядного устройства имеет право выполнять только квалифицированный электрик. При этом он полностью отвечает за соблюдение существующих стандартов и предписаний. Porsche рекомендует поручать эти работы официальному сертифицированному дилеру Porsche.
- ▶ Поперечное сечение питающего провода, идущего к розетке, определяется с учетом длины провода в соответствии с местными предписаниями и стандартами.
- ▶ Используемую для зарядки розетку необходимо подключать к электрической сети, соответствующей местным законодательным актам и стандартам, через отдельный предохранитель.
- ▶ Зарядное устройство предназначено для частного и совместного использования, например на частной территории или корпоративной парковке. В некоторых странах, например в

Италии и Новой Зеландии, зарядка в общественных зонах и местах общего пользования в режиме 2 **запрещена**.

- ▶ При зарядке без присмотра доступ посторонних лиц (например, играющих детей) или зверей к зарядному устройству и автомобилю должен быть исключен.
- ▶ Соблюдайте указания по безопасности, приведенные в руководстве по монтажу и руководстве по эксплуатации автомобиля.

### **⚠ ОПАСНО**

Поражение электрическим током, пожар

Неправильное обращение с контактами штекера может привести к поражению электрическим током или пожару.

- ▶ Не прикасайтесь к контактам автомобильного зарядного разъема и зарядного устройства.
- ▶ Не вставляйте посторонние предметы в автомобильный зарядный разъем или зарядное устройство.
- ▶ Защитите розетки и штекерные соединения от попадания влаги, воды и других жидкостей.

### **⚠ ПРЕДУПРЕЖДЕНИЕ**

Воспламеняющиеся или взрывоопасные пары

Компоненты зарядного устройства могут вызывать искрение и тем самым возгорание воспламеняющихся или взрывоопасных паров.

- ▶ Для снижения риска взрыва, особенно в гаражах, убедитесь, что во время зарядки панель управления находится на высоте не менее 50 см от пола.
- ▶ Не используйте зарядное устройство во взрывоопасных зонах.

For Indonesia only



Dilarang melakukan perubahan spesifikasi yang dapat menimbulkan gangguan fisik dan/atau elektromagnetik terhadap lingkungan sekitar

Чтобы обеспечить соблюдение требований по предельным значениям воздействия (согласно 1999/519/EC), необходимо установить устройство таким образом, чтобы соблюдалось минимальное расстояние 20 см между устройством и всеми людьми.

Для обеспечения бесперебойной зарядки с помощью зарядного устройства необходимо учесть следующие указания и рекомендации.

- При первой установке розетки необходимо, обратившись к квалифицированному электрику, установить и ввести в эксплуатацию промышленную розетку с максимальной мощностью (адаптированной к домашней электропроводке). Компания Porsche рекомендует поручать эти работы официальному сертифицированному дилеру Porsche.
- Подберите, если это технически возможно и разрешено законом, электропроводку с такими параметрами, которые бы обеспечивали для зарядки автомобиля неизменно максимальную номинальную мощность используемой розетки.
- Перед установкой проверьте, может ли имеющаяся домашняя электропроводка в течение длительного времени обеспечивать дополни-

тельную необходимую мощность для зарядки автомобиля. При необходимости обеспечьте защиту домашней электропроводки при помощи системы Energy Management (система энергоуправления в доме).

- Зарядное устройство следует эксплуатировать предпочтительно в электрических сетях, имеющих надлежащее заземление. Защитный провод должен быть установлен надлежащим образом.
- При неясностях или сомнениях относительно электрической бытовой электропроводки следует обратиться к квалифицированному электрику. Компания Porsche рекомендует поручать эти работы официальному сертифицированному дилеру Porsche.
- Если необходимо использовать зарядное устройство в сочетании с фотоэлектрической энергетической установкой, свяжитесь с партнером Porsche.
- Для оптимальной работы зарядного устройства и обеспечения быстрой зарядки рекомендуется использовать розетки NEMA, соответствующие сетевому штекеру, с максимальным номинальным током или промышленные розетки согласно IEC 60309.
- При зарядке высоковольтной АКБ от бытовой/промышленной розетки нагрузка на электропроводку может достигнуть максимального значения. Porsche рекомендует регулярно вызывать квалифицированного электрика для проверки используемой для зарядки электропроводки. Узнайте у электрика, какие интервалы проверки целесообразны для Ва-

шей установки. Компания Porsche рекомендует поручать эти работы официальному сертифицированному дилеру Porsche.

- Во избежание перегрева электропроводки при поставке ток зарядки автоматически ограничивается. Обратитесь к квалифицированному электрику для ввода зарядного устройства в эксплуатацию и установите ограничение тока зарядки в соответствии с домашней электропроводкой.
  - ▷ Обратите внимание на информацию в главе «Ограничение тока зарядки» на странице 248.

## Использование по назначению

Зарядное устройство со встроенной системой управления и предохранительным устройством для режима зарядки 2 для зарядки автомобилей с высоковольтной АКБ, которые соответствуют общим действующим нормам и директивам по электромобилям.

- ▶ В зависимости от региональной электросети используйте подходящую версию устройства.
  - ▷ Обратите внимание на информацию в главе «Технические характеристики» на странице 265.

Зарядное устройство разрешается использовать только в качестве комбинации, состоящей из сетевого кабеля, панели управления и автомобильного кабеля.

Оно предназначено для использования вне помещений.

## Комплект поставки



Рис. 99: Комплект поставки

- A** Сетевой кабель (сменный на панели управления)
- B** Сетевой штекер для подключения к электросети
- C** Панель управления
- D** Автомобильный зарядный штекер (соединительный штекер для автомобиля)
- E** Автомобильный кабель (в зависимости от страны: либо сменный, либо зафиксированный на панели управления)
- F** Письмо с данными доступа

### **i** Информация

Оptionальные компоненты: в зависимости от страны доступны различные настенные крепления для зарядного устройства, например, базовое настенное крепление или зарядная док-станция.

## Данные доступа

Вместе с устройством Вы получаете письмо с данными доступа, в котором содержатся все необходимые для зарядного устройства и Web Application данные.

- ▶ Сохраните письмо с данными доступа.

### **i** Информация

Действительные при поставке данные доступа, например предварительно заданный PIN-код и первоначальный пароль, можно запросить у партнера Porsche.

- Для этого подготовьте серийный номер зарядного устройства.
  - ▶ Обратите внимание на информацию в главе «Серийный номер зарядного устройства» на странице 231.

В письме с данными доступа содержатся следующие данные:

Обозначение	Значение
Серийный номер	Серийный номер зарядного устройства
Wi-Fi MAC	MAC-адрес WiFi-интерфейса
GRID MAC	MAC-адрес домашнего PLC-интерфейса
Автомобиль с MAC	MAC-адрес PLC-интерфейса автомобиля

Обозначение	Значение
Wi-Fi SSID	- SSID Точка доступа WiFi - Имя хоста
Wi-Fi PSK	Сетевой ключ
Пароль Home user	Начальный пароль пользователя веб-приложения.
Пароль Customer service	Начальный пароль сервисной службы веб-приложения.
Контакт	Персональный идентификационный номер
PUK	Персональный код разблокировки

### **i** Информация

**Имя хоста** состоит из следующих компонентов: Зарядное устройство + серийный номер (пример: MobileChargerConnect-1234567)

### **i** Информация

Поле безопасности содержит требуемые коды доступа (PIN- и PUK-коды). Это поле покрыто особой краской поверх кода. Краска на этом поле бледнеет только под проточной водой, и тогда можно считать код.

При увлажнении краски запрещается тереть или соскребать защитный слой, так как вместе с ним можно повредить код.

## PIN и PUK

PIN и PUK служат для разблокировки зарядного устройства.

- ▶ При потере самостоятельно заданного PIN-кода можно разблокировать зарядное устройство путем ввода PUK-кода и задать новый PIN-код.
- ▶ При потере PUK-кода обратитесь к своему партнеру Porsche.

## Пароль для веб-приложения

Пароль служит для входа в систему Web Application.

Если используется первоначальный пароль:

- ▶ При потере первоначального пароля обратитесь к партнеру Porsche.

Если используется самостоятельно заданный пароль:

- ▶ При потере самостоятельно заданного пароля необходимо сбросить зарядное устройство до заводских настроек, снова активировав тем самым первоначальный пароль (**Настройки** ⚙️ ▶ **Заводские настройки**).

## Серийный номер зарядного устройства

Серийный номер зарядного устройства указан в следующих местах:

- в письме с данными доступа за обозначением «Серийный номер/Serial Number»
- На фирменной табличке (с обратной стороны панели управления) за сокращением «SNSN»

- На зарядном устройстве: **Настройки** ⚙️ ▶ **Техобслуживание** ▶ **Информация об устройстве**
- В Web Application: **Настройки** ▶ **ТО** ▶ **Информация**

## Porsche ID

Если зарядное устройство связано с Вашим Porsche ID, то в My Porsche и в Porsche Connect App можно открыть информацию о зарядном устройстве и процессах зарядки.

Если зарядное устройство больше не используется, например в случае продажи:

1. Деактивируйте привязку Porsche ID к зарядному устройству (**Настройки** ⚙️ ▶ **Профили пользователя**).
2. Сброс зарядного устройства до заводских настроек (**Настройки** ⚙️ ▶ **Заводские настройки**).

## Обзор

### Разъемы на панели управления



Рис. 100: Разъемы на панели управления

- A** Сетевой кабель
- B** Автомобильный кабель

Сетевой кабель **A** подключается сверху к панели управления.

Автомобильный кабель **B** подключается снизу к панели управления.

## Панель управления зарядного устройства

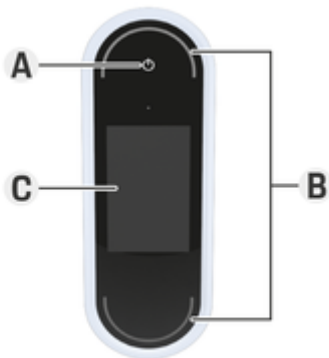




Рис. 101: Панель управления

- A** Кнопка питания 
- B** Индикаторы состояния 
- C** Дисплей

С помощью кнопки питания **A** (Рис. 101) можно включать и выключать зарядное устройство.

Индикаторы состояния **B** (Рис. 101) показывают состояние зарядного устройства.

Через дисплей **C** (Рис. 101) осуществляется коммуникация с зарядным устройством. На нем показывается информация и сообщения о неисправностях.

## Элементы индикации и управления на дисплее

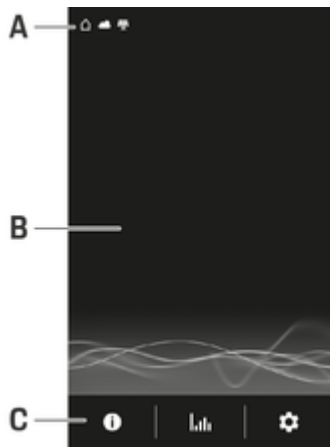


Рис. 102: Дисплей зарядного устройства





- A** Строка состояния
- B** Информационная зона
- C** Строка меню

Датчик яркости управляет яркостью индикации на дисплее. Яркость регулируется автоматически в зависимости от освещенности окружения.

### Строка состояния

В строке состояния могут отображаться различные символы.

Ниже в обзоре показано значение символов строки состояния.

Символ	Значение
	Имеется WiFi-соединение
	Имеется соединение с сервером
	Обновление ПО загружается
	Имеется соединение с сетью PLC
	Создана точка доступа
	В автомобиле активирован профиль зарядки. Зарядка производится в соответствии с настройками этого профиля.
	Подключена фотоэлектрическая установка

### Строка состояния

В строке состояния могут отображаться различные символы.

Ниже в обзоре показано значение символов строки состояния.

Символ	Значение
	Имеется WiFi-соединение
	Имеется соединение с сервером
	Обновление ПО загружается
	Имеется соединение с сетью PLC
	Создана точка доступа
	Контроль заземления выключен (Канада, Мексика)
	Зарядное устройство соединено с энергетическим менеджером
	В автомобиле активирован профиль зарядки. Зарядка производится в соответствии с настройками этого профиля.
	Подключена фотоэлектрическая установка

### Информация

В зависимости от важности определенные символы перекрывают друг друга и поэтому не видны (символы по мере возрастания приоритета, например: Сеть PLC < WiFi-соединение < Энергетический менеджер).

### Строка меню

В строке меню могут отображаться различные символы. Ниже в обзоре показано значение символов строки меню.

Символ	Значение
	Вызов информации о текущем процессе зарядки
	Вызов истории зарядки
	Ввод настроек
	Доступно обновление ПО.

### Возможности управления

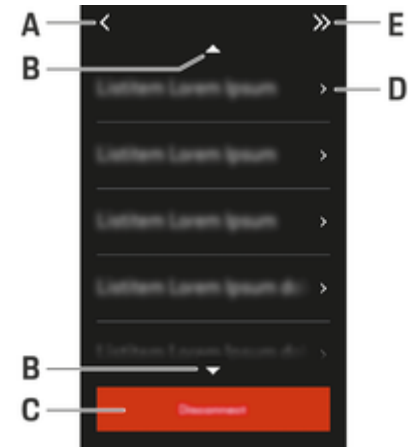


Рис. 103: Возможности управления

- A** Назад
- B** Вверх/вниз
- C** Действие
- D** Детали
- E** Пропустить

### Выбор места монтажа



**ОПАСНО**

Поражение электрическим током, пожар

Ненадлежащее применение зарядного устройства или несоблюдение указаний по технике безопасности может вызвать короткие замыкания, поражение электрическим током, взрывы, пожары или ожоги.

- ▶ Не устанавливайте базовое настенное крепление или зарядную док-станцию во взрывоопасных зонах.
- ▶ Перед монтажом базового настенного крепления или зарядной док-станции убедитесь, что в области просверливаемых крепежных отверстий нет электрических проводов.
- ▶ Для снижения риска взрыва, особенно в гаражах, убедитесь, что во время зарядки панель управления находится на высоте не менее 50 см от пола.
- ▶ Соблюдайте местные предписания по электромонтажу, меры противопожарной защиты и инструкции по технике безопасности, а также имеющиеся пути эвакуации.

Базовое настенное крепление и зарядная док-станция предназначены для монтажа внутри и снаружи помещений. При выборе подходящего места установки следует учитывать приведенные ниже критерии.

- Розетку или питающую линию, базовое настенное крепление или зарядную док-станцию следует по возможности устанавливать в

закрытом, защищенном от прямых солнечных лучей и атмосферных осадков месте (например, в гараже).

- Расстояние от розетки до пола и потолка необходимо подбирать с учетом местных стандартов и предписаний таким образом, чтобы было удобно пользоваться оборудованием.
- Не устанавливайте базовое настенное крепление или зарядную док-станцию под висящими предметами.
- Не устанавливайте базовое настенное крепление или зарядную док-станцию в хлеву, помещениях для скота и местах, где образуется газообразный аммиак.
- Базовое настенное крепление или зарядную док-станцию следует устанавливать на гладкой поверхности.
- Для обеспечения надежного крепления перед монтажом проверьте прочность стены.
- Базовое настенное крепление или зарядную док-станцию по возможности устанавливайте вблизи предпочтительного парковочного положения автомобиля. При этом следует учитывать ориентацию автомобиля.
- Установите базовое настенное крепление или зарядную док-станцию так, чтобы они не находились в проходах и чтобы сетевой кабель не пересекал проходы.
- Установите базовое настенное крепление или зарядную док-станцию таким образом, чтобы расстояние между сетевым штекером и сетевой розеткой не превышало длину имеющегося сетевого кабеля.



## Необходимый инструмент

- Уровень
- Дрель или перфоратор
- Отвертка

## Монтаж

### Монтаж настенного крепления

### Монтаж базового настенного крепления

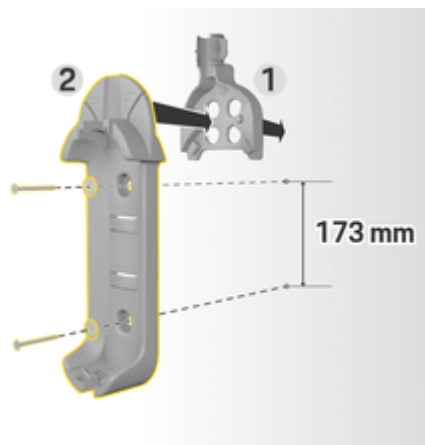


Рис. 104: Размеры под отверстия

1. Наметьте отверстия на стене.
2. Просверлите отверстия и вставьте дюбели.
3. Вдавите базовое настенное крепление 2 (Рис. 104) спереди в кабелепровод 1 (Рис. 104).
4. Закрепите базовое настенное крепление винтами на стене.

## Монтаж крепления соединителя

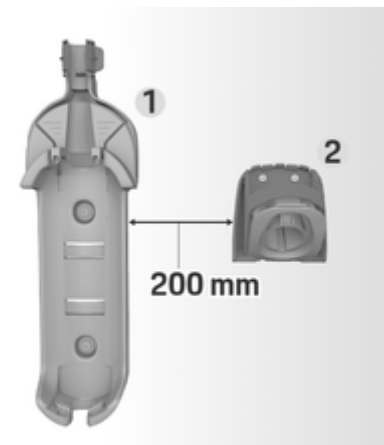


Рис. 105: Расстояние от настенного крепления до крепления соединителя

При монтаже крепления соединителя обеспечьте расстояние до базового настенного крепления 200 мм.

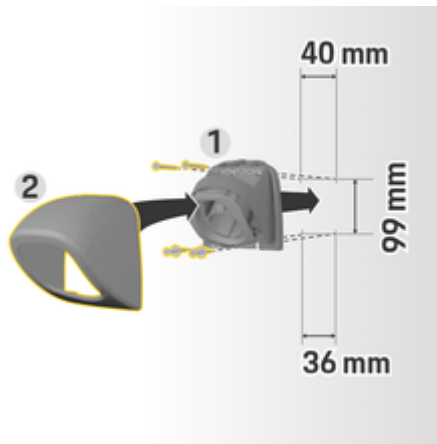


Рис. 106: Размеры под отверстия

1. Извлеките крепление соединителя 1 (Рис. 106) из кожуха 2 (Рис. 106).
2. Наметьте отверстия на стене.
3. Просверлите отверстия и вставьте дюбели.
4. Привинтите крепление для штекера 1 (Рис. 106) к стене.
5. Наденьте кожух 2 (Рис. 106) на крепление соединителя снизу 1 (Рис. 106) и прижмите его кверху.

### Фиксация панели управления в настенном креплении



Рис. 107: Установка панели управления

1. Проведите автомобильный кабель через нижнее отверстие в базовом настенном креплении, установите панель управления внизу в фиксирующий выступ и прижмите назад до ощутимого щелчка.
2. Проведите сетевой кабель через верхнее отверстие в базовом настенном креплении и зафиксируйте стопорное кольцо, повернув его влево.
3. Вставьте автомобильный зарядный штекер в крепление для штекера.

### Монтаж без проставки

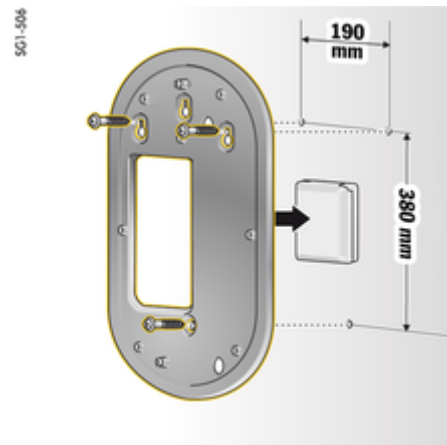


Рис. 108: Размеры под отверстия

1. Наметьте отверстия на стене.
2. Просверлите отверстия и вставьте дюбели.
3. Привинтите монтажную плиту к стене.

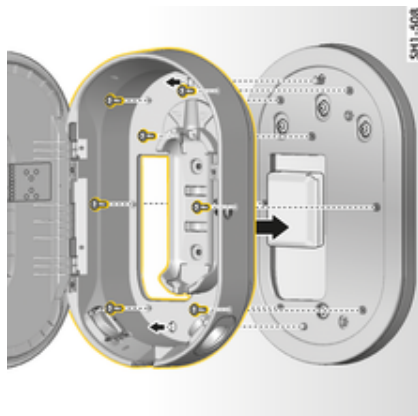


Рис. 109: Привинчивание зарядной док-станции к монтажной плите

4. Привинтите зарядную док-станцию к монтажной плите.

### Монтаж с проставкой

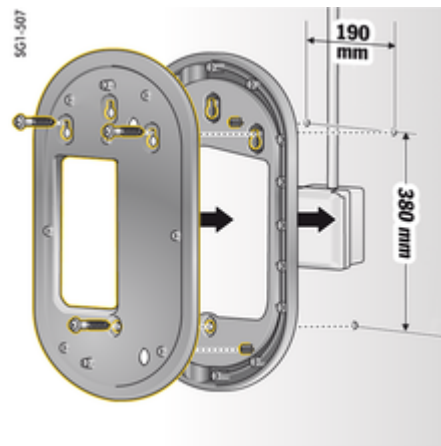


Рис. 110: Размеры под отверстия

1. Наметьте отверстия на стене.
2. Просверлите отверстия и вставьте дюбели.
3. Привинтите монтажную плиту к стене вместе с проставкой.

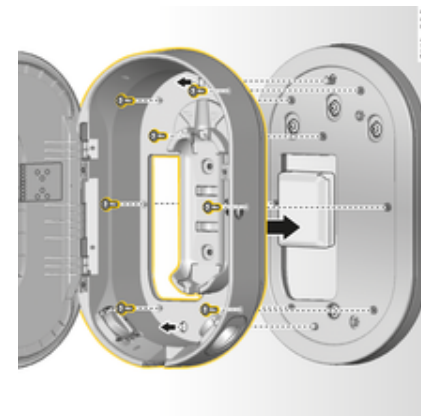


Рис. 111: Привинчивание зарядной док-станции к монтажной плите

4. Привинтите зарядную док-станцию к монтажной плите.

## Настройка

### Автомобильный зарядный кабель и сетевой кабель

#### Информация о зарядном автомобильном кабеле и штекере автомобиля

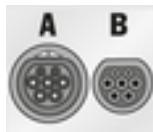
В зависимости от варианта экспортного исполнения существуют различные автомобильные зарядные разъемы **A** и автомобильные зарядные штекеры **B**.



IEC 62196-2/  
SAE-J1772-2009  
Тип 1 UL/IEC



IEC 62196-2/  
SAE-J1772-2009  
Тип 1



IEC 62196-2  
Тип 2



GB/T 20234.2  
Тип GB

### Выбор сетевого кабеля

Для регулярной зарядки с оптимальной скоростью используйте исключительно следующие сетевые кабели. Максимально возможная мощность зарядки составляет до 22 кВт (в зависимости от варианта устройства, электросети / бытовой электросети и бортового зарядного устройства). Во время поездок за границу необходимо всегда брать с собой соответствующий сетевой кабель, который подходит для конкретной страны.

#### ПРИМЕЧАНИЕ

В некоторых странах разрешено использование только допущенного сетевого кабеля. Указанные далее сетевые кабели допущены в некоторых странах и определены в таблице ниже.

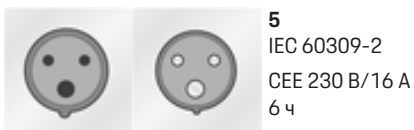
Страна	Сетевой кабель
Россия, Украина	5, 6, 7, 8, C
Абу-Даби, Израиль, Сингапур	5, 6, 7, 8

Допуск сетевых кабелей для конкретной страны (примеры)

Длина автомобильного кабеля может составлять 2,5 или 7,5 метра, в зависимости от имеющихся условий. В некоторых странах общая длина сетевого кабеля, панели управления и автомобильного кабеля ограничена, например в Швейцарии — 5 метров, в Израиле и США — 7,5 метра<sup>1)</sup>.

1. По состоянию на момент публикации. Посоветуйтесь со своим партнером Porsche или с местным поставщиком электроэнергии.

### Сетевой кабель для промышленных розеток



### Сетевой кабель для бытовых розеток

Если промышленная розетка отсутствует, то можно производить зарядку с уменьшенной мощностью с использованием следующих сетевых кабелей.

- ▶ В некоторых странах, например, в Абу-Даби, Израиле, Сингапуре и Индии<sup>1</sup>, зарядка от бытовых розеток **запрещена**.



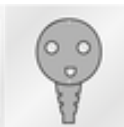
1. По состоянию на момент публикации. Посоветуйтесь со своим партнером Porsche или с местным поставщиком электроэнергии.



**E**  
AS 3112  
Тип I



**F**  
SEV 1011  
Тип J



**G**  
DS 60884-2-D1  
Тип K



**H**  
CEI 23-16-VII  
Тип L 16 A (5 мм)



**I**  
IA6A3 (BS 546)  
Тип M

## NEMA 6-50 / NEMA 14-50 (дополнительная информация)

### Информация

Область действия

Данная рекомендация по использованию касается только регионов, где действует стандарт NEMA 6-50 / NEMA 14-50.

В результате зарядки Вашего автомобиля могут возникнуть высокие электрические токи. Поэтому по соображениям безопасности в обязательном порядке предписывается использование исключительно допущенных для эксплуатации компонентов, а также надлежащая установка всего зарядного устройства.

### Общие указания по технике безопасности

#### ОПАСНО

Поражение электрическим током и пожар!

Неправильное использование зарядного устройства и несоблюдение указаний по монтажу и технике безопасности может привести к короткому замыканию, поражению электрическим током, взрыву, пожару или ожогам.

- ▶ Соблюдайте указания по монтажу, приведенные в руководстве по эксплуатации зарядного устройства.
- ▶ Обратите особое внимание на приведенные в них предупредительные указания и инструкции по технике безопасности.
- ▶ Поручите монтаж специалисту с соответствующим электротехническим образованием и требуемыми техническими знаниями.
- ▶ Кроме того, соблюдайте также национальные постановления по проведению электромонтажных работ.

### Требования к сетевой розетке

#### ОПАСНО

Неподходящие сетевые розетки

Использование неподходящей сетевой розетки может привести к короткому замыканию, поражению электрическим током, взрыву, пожару или ожогам.

- ▶ Используйте только сетевые розетки подходящего для настоящей установки типа (см. **Подходящие типы сетевых розеток/штекеров**).
- ▶ Используйте только те сетевые розетки, которые соответствуют требованиям к качеству контактных поверхностей и клеммовому закреплению (см. **Требования к качеству сетевых розеток**).
- ▶ Избегайте прямого контакта зажимных винтов с проводом. Если необходимо, лучше используйте кабельные зажимы.
- ▶ Не прижимайте кабель к изоляции.

### Подходящие типы сетевых розеток / сетевых штекеров

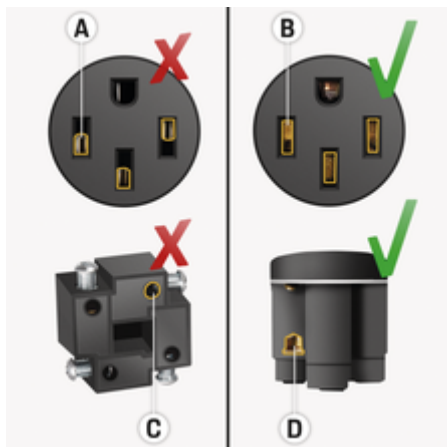


NEMA 6-50  
Розетка/разъем



NEMA 14-50  
Розетка/разъем

### Требования к качеству сетевых розеток



- A** Контактная поверхность только половина высоты штепсельного контакта
- B** Контактная поверхность по всей высоте штепсельного контакта
- C** Небольшая контактная поверхность между зажимным винтом и жилой.
- D** Широкая контактная поверхность между зажимной пластиной и жилой

### Требования к монтажу проводов

**⚠ ОПАСНО**

Неподходящий сетевой кабель

Использование неподходящих сетевых кабелей или повышенное электрическое напряжение могут привести к короткому замыканию, поражению электрическим током, взрыву, пожару или ожогам.

- ▶ Провод должен быть оснащен предохранителем на 50 ампер.
- ▶ Используйте только медные кабели с поперечным сечением питающего провода не менее 8AWG (в идеале — 6AWG).

### Требования при установке на открытом воздухе

**⚠ ОПАСНО**

Прямой контакт с дождем

При использовании зарядного устройства на открытом воздухе прямой контакт с дождем может привести к короткому замыканию, поражению электрическим током, взрыву, пожару или ожогам.

- ▶ Избегайте прямого контакта зарядного устройства с дождем.
- ▶ Используйте дождезащитный корпус NEMA 3R.

### Замена сетевого и автомобильного кабелей

**⚠ ОПАСНО**

Поражение электрическим током

Опасность получения серьезных травм вплоть до смертельного исхода при поражении электрическим током.

- ▶ Перед заменой сетевого кабеля отсоедините сетевую кабель от розетки и автомобильный кабель от автомобильного зарядного разъема.
- ▶ Производите замену кабеля исключительно в сухом месте.
- ▶ Используйте только допущенные компанией Porsche кабели.

▶ Обратите внимание на информацию в главе «Комплект поставки» на странице 230.

В некоторых странах, например в Норвегии, Италии, Португалии и Испании<sup>1</sup>, замену сетевого кабеля разрешается выполнять только квалифицированным электрикам. Porsche рекомендует поручать эти работы официальному сертифицированному дилеру Porsche.

1. По состоянию на момент публикации. Посоветуйтесь со своим партнером Porsche или с местным поставщиком электроэнергии.

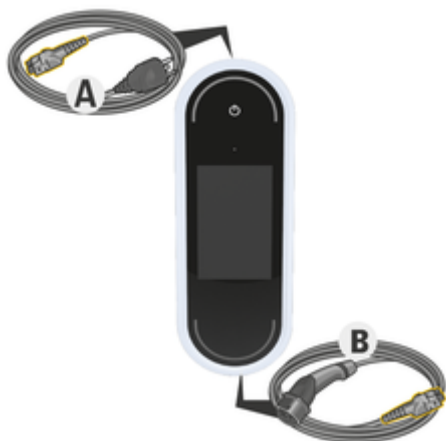


Рис. 112: Разъемы на панели управления

Сетевой кабель **A** подключается сверху к панели управления.

Автомобильный кабель **B** подключается снизу к панели управления.

## Отсоединение кабеля

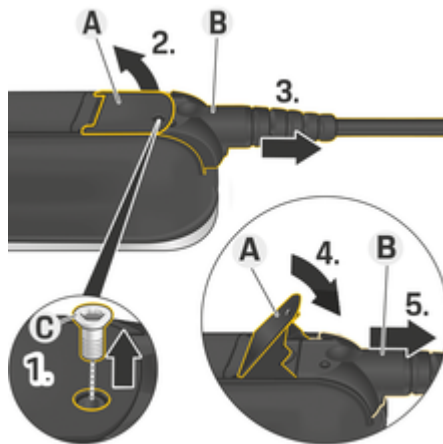


Рис. 113: Отсоединение кабеля

- ✓ Зарядка высоковольтной АКБ завершена, и автомобильный зарядный штекер извлечен из зарядного разъема автомобиля.
  - ✓ Сетевой штекер извлечен из розетки.
1. Выкрутите винт **C** (Рис. 113) с помощью подходящего инструмента.
  2. Поднимите рычаг **A** (Рис. 113).
  3. Извлеките штекер **B** (Рис. 113) до появления первого сопротивления.
  4. Опустите рычаг **A** (Рис. 113).
  5. Полностью извлеките штекер **B** (Рис. 113).

## Закрепление кабеля

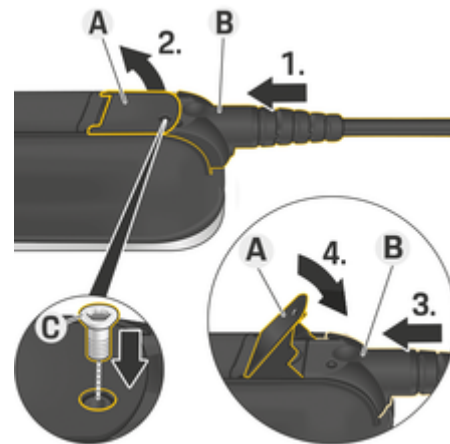


Рис. 114: Закрепление кабеля и фиксация штекера

- ✓ Рычаг **A** (Рис. 114) закрыт.
1. Вставьте штекер **B** (Рис. 114) в панель управления до появления первого сопротивления.
  2. Поднимите рычаг **A** (Рис. 114).
  3. Вставьте штекер **B** (Рис. 114) до конца.
  4. Опустите рычаг **A** (Рис. 114).
  5. Закрепите штекер **B** (Рис. 114) винтом **C** (Рис. 114) на панели управления.




## Ввод в эксплуатацию и конфигурация

### Ввод в эксплуатацию

При первом вводе в эксплуатацию зарядного устройства выполните указанные ниже настройки.

#### Информация

- Пункты, отмеченные как **Пропустить**, можно пропустить. В таком случае настройка не выполняется.
- Настройки можно изменить в любое время на дисплее .

### Язык и страна

1. Выберите язык из списка. Подтвердите выбор.
2. Выберите страну из списка.
3. Подтвердите выбор языка и страны.

### Передача данных

- ▶ Прочитайте и подтвердите указания по передаче данных.

### Обновление ПО

Для обеспечения полной функциональности и надежной эксплуатации зарядного устройства должна быть установлена текущая версия программного обеспечения.

- ▶ Выберите автоматическое обновление ПО и подтвердите.
 

**Вкл.** Зарядное устройство проверяет наличие обновления ПО и загружает его автоматически.

После этого можно непосредственно запустить установку или перенести ее на более позднее время.

**Вкл.** Зарядное устройство проверит наличие обновления ПО и представит соответствующее указание. Тогда загрузку можно будет запустить вручную.

После успешной загрузки можно запустить установку или перенести ее на более позднее время.

Если установить интернет-соединение с зарядным устройством невозможно, обновление ПО можно загрузить вручную на сайте <https://www.porsche.com> в разделе **E-Performance** и установить с помощью веб-приложения.

### Выбор сети

Выберите соединение с домашней сетью. Этот пункт можно пропустить с помощью **Пропустить**. Тогда соединение с домашней сетью не будет установлено. Если зарядное устройство соединено с домашней сетью, становятся доступными расширенные функции и дополнительная информация. Возможно соединение по WiFi или PLC-сети (технология связи по линиям электропередачи). Если в распоряжении нет домашней сети, то на зарядном устройстве можно настроить точку доступа WiFi.

#### Информация

Публичные сети WiFi, не защищенные паролем, не поддерживаются и недоступны для подключения.

#### Соединение через WiFi

1. В списке выберите **WiFi**.
2. Выберите среди найденных сетей WiFi домашнюю сеть.


3. Введите пароль и подтвердите.

#### Соединение с помощью кнопки соединения с PLC

1. В списке выберите **Кнопка сопряжения PLC**.
2. На PLC-модеме запустите установку соединения. Для подтверждения нажмите на зарядном устройстве кнопку **OK**.

После настройки нажмите **Соединить**.


- ➔ Устанавливается соединение с сетью PLC.

Если соединение с сетью PLC установлено, в строке состояния отображается символ .

#### Соединение посредством ключа безопасности PLC

Для этого метода необходимо использовать конечное устройство с ПО для управления сетью PLC.

1. Для установления соединения с сетью PLC при помощи ключа безопасности выберите **Ключ безопасности PLC**.
  - ➔ Ключ безопасности отобразится на дисплее.
2. Введите ключ безопасности в соответствующем пункте меню ПО для управления сетью PLC и интегрируйте тем самым зарядное устройство в существующую сеть PLC.
  - ➔ Устанавливается соединение с сетью PLC.

Если соединение с сетью PLC установлено, в строке состояния отображается символ .

#### Информация

Характеристики PLC

- Отдельные интерфейсы для кабелей автомобиля и инфраструктуры
- PLC согласно IEEE P1901
- Штекер домашней сети AV
- Код: 128-битный AES
- Диапазон частот: 2–30 МГц

### Профили пользователя (привязка Porsche ID)

Если зарядное устройство связано с вашим Porsche ID, то в My Porsche и в приложении Porsche Connect можно открыть информацию о зарядном устройстве и процессах зарядки.

**Для привязки зарядного устройства к Porsche ID выполните указанные ниже действия.**

- ▶ Откройте указанную на дисплее зарядного устройства интернет-страницу в браузере и введите код пользователя.  
— или —  
Отсканируйте показанный на дисплее зарядного устройства QR-код. Для сканирования QR-кода существуют возможности, указанные ниже.
- Приложение Porsche Connect (**Моя учетная запись > Зарядные кабели и устройства > Сканировать QR-код**).
- Камера конечного устройства (начиная с iOS 11, в Android отличается).
- Приложение для сканирования QR-кода.

Если привязка выполнена успешно, то ассистент настройки переходит к следующему этапу.

### Подключение энергетического менеджера

При наличии энергетического менеджера с ним можно установить соединение. После этого энергетический менеджер возьмет на себя управление процессом зарядки.

- ▶ Инструкции по соединению можно найти в руководстве по эксплуатации энергетического менеджера.

Если энергетический менеджер недоступен, автомобиль заряжается указанным на зарядном устройстве током зарядки:

- ▶ **Настройки** ⚙️ ▶ **Настроить заряд. ток**

▶ Обратите внимание на информацию в главе «Настройка зарядного тока» на странице 244.

### Точка доступа

Если привязка к домашней сети невозможна, можно настроить на зарядном устройстве точку доступа и установить тем самым соединение с веб-приложением зарядного устройства.

- ▶ Для настройки точки доступа нажмите **Активировать точку доступа**.

После создания точки доступа в строке состояния отображается символ 📶.

### **i** Информация

При использовании систем Android для настройки точки доступа может потребоваться отдельное подтверждение установки соединения.

### Настройка зарядного тока

Здесь можно настроить максимальный зарядный ток, с которым должно работать зарядное устройство, если в домашней сети нет энергетического менеджера.

Отображаемое максимальное значение определяется подключенными типами кабелей.

- ▶ Настройте ток зарядки на значение, максимально доступное в электросети, используемой для зарядного устройства. Для этого используйте кнопки **Плюс** и **Минус**.

▶ Обратите внимание на информацию в главе «Ограничение тока зарядки» на странице 248.

### Защита устройства

Для предотвращения подключения неавторизованного автомобиля к зарядному устройству можно настроить запрос PIN-кода.

1. Чтобы активировать запрос PIN, выберите **Вкл.**
2. Введите PIN-код из 4 цифр и подтвердите его.
3. Повторите PIN и подтвердите.  
➔ Активация запроса PIN подтверждена.

### Завершение наладки

- ▶ На основании раздела **Обзор** проверьте выполненные настройки и завершите наладку.

### Ввод в эксплуатацию с помощью веб-приложения

Прежде чем настраивать зарядное устройство и Web Application для ежедневного использования, на начальном этапе необходимо настроить

устройство. После этого следует установить соединение между конечным устройством (ПК, планшетом или смартфоном) и зарядным устройством.

### Требования для первого использования веб-приложения

Для первого использования Web Application необходимо подготовить следующие данные:

- Письмо с данными доступа Porsche Mobile Charger Connect для регистрации в Web Application зарядного устройства
- учетные данные Вашей домашней сети;
- Учетные данные профиля пользователя (для привязки к Porsche ID).

Веб-приложение совместимо со следующими браузерами:

- Google Chrome версии не ниже 57 (рекомендуется),
- Mozilla Firefox версии не ниже 52 (рекомендуется),
- Microsoft Internet Explorer версии не ниже 11,
- Microsoft Edge,
- Apple Safari версии не ниже 10.

## Авторизация на зарядном устройстве

### И информация

Данные для авторизации на зарядном устройстве указаны в прилагающемся письме с данными доступа (PIN- и PUK-коды). Это поле покрыто особой краской поверх кода.

Краска на этом поле бледнеет только под проточной водой, и тогда можно считать код.

При увлажнении краски запрещается тереть или соскребать защитный слой, так как вместе с ним можно повредить код.

- ✓ Зарядное устройство включено.
  - ✓ Письмо с данными доступа находится в легком доступе.
1. Найдите в письме PIN-код. Для этого смочите поле с защитой, чтобы можно было считать PIN-код.
  2. Введите PIN-код.

## Запуск настройки на зарядном устройстве

Настройка зарядного устройства осуществляется с помощью помощников при настройке, которые в несколько этапов проводят пользователя по установке. Для надлежащей эксплуатации зарядного устройства сначала необходимо завершить настройку.

► Подробные сведения о настройке зарядного устройства см. в руководстве по эксплуатации Porsche Mobile Charger Connect.

## Обзор

По сравнению с самим устройством веб-приложение предлагает более разнообразные возможности настройки.

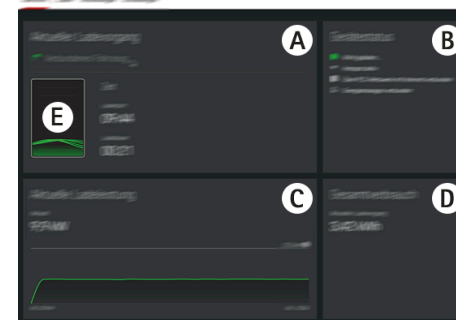


Рис. 115: Обзор в веб-приложении

### A Текущая зарядная сессия

Показывает информацию о текущей зарядной сессии, например время ее начала и длительность.

### B Статус устройства

Отображает информацию об устройстве, например:

- текущий статус зарядки;
- используемое сетевое подключение;
- статус соединения с энергетическим менеджером (при наличии);
- доступность обновлений ПО;
- деактивация контроля заземления.

### С Текущая мощность зарядки

Текущий поток электрической мощности [в киловаттах] от зарядного устройства к потребителю.

Характер кривой: представленная кривая показывает изменение характера мощности зарядки со временем с момента начала зарядки, а также общее энергопотребление [в киловаттах].

Выберите на кривой момент времени, чтобы подключить в это время мощность зарядки.

### D Расход

Общее энергопотребление текущего процесса зарядки [в киловатт-час].

### E Статус зарядки

Примененный цвет на обзоре показывает статус зарядки устройства.

- Красный: Сообщение о неисправностях
- Синий: приостановка зарядки.
- Зеленый: автомобиль заряжается.
- Белый: нет подключенных автомобилей к зарядному устройству.

## Управление Указания по использованию

В зависимости от страны подключение зарядных устройств для электромобилей подлежит обязательной регистрации.

- ▶ Перед подключением проверьте обязанность регистрации и правовые рамочные условия по эксплуатации.

### ПРИМЕЧАНИЕ

Повреждение зарядного устройства

- ▶ При зарядке всегда ставьте зарядное устройство на устойчивое основание.
- ▶ Porsche рекомендует устанавливать зарядное устройство в базовое настенное крепление или в зарядную док-станцию. В некоторых странах, например в Швейцарии<sup>1</sup>, зарядное устройство может эксплуатироваться только в базовом настенном креплении или в зарядной док-станции.
- ▶ Ни в коем случае не погружайте зарядное устройство в воду.
- ▶ Обеспечьте защиту зарядного устройства от снега и льда.
- ▶ Обращайтесь с зарядным устройством осмотрительно и не допускайте переезда колесами, падения, растяжения, перегиба и сдавливания.
- ▶ Не открывайте корпус зарядного устройства.

### ПРИМЕЧАНИЕ

Повреждение зарядного устройства

Эксплуатация зарядного устройства допускается только в диапазоне температур от  $-30^{\circ}\text{C}$  до  $+50^{\circ}\text{C}$ .

- ▶ Во избежание перегрева в ходе эксплуатации не подвергайте зарядное устройство длительному воздействию прямого солнечного излучения. При перегреве зарядного устройства процесс зарядки автоматически прерывается, пока температура не снизится до нормального уровня.
- ▶ При воздействии повышенных или пониженных температур медленно доведите зарядное устройство до рабочей температуры, но не охлаждайте и не нагревайте активно, например не охлаждайте холодной водой и не нагревайте феном.

1. По состоянию на момент публикации. Посоветуйтесь с партнером Porsche.

## Зарядка

### Указания по зарядке

#### Автомобильный зарядный разъем

Для получения информации о подключении автомобильного кабеля и его отключении из гнезда для зарядки автомобиля, а также о статусе зарядки и соединения на автомобильном зарядном разъеме:

▷ соблюдайте руководство по эксплуатации автомобиля.



**ОПАСНО**

Поражение электрическим током, пожар

Опасность получения серьезных травм вплоть до смертельного исхода при пожаре или поражении электрическим током.

- ▶ Всегда соблюдайте предписанную последовательность действий при зарядке.
- ▶ Не извлекайте автомобильный кабель из автомобильного зарядного разъема во время зарядки.
- ▶ Завершите зарядку, прежде чем извлечь автомобильный кабель из автомобильного зарядного разъема.
- ▶ Не извлекайте зарядное устройство из розетки во время зарядки.

Ошибки отображаются на дисплее и красным цветом светодиодов статуса. Отображаются указания на ошибку, причина и способ ее устранения.

- ▶ Обратите внимание на информацию в главе «Нарушения работы» на странице 259.

### Продолжительность зарядки

Продолжительность процесса зарядки зависит от факторов, указанных ниже.

- Используемая розетка (бытовая или промышленная).
  - Принятые в стране значения сетевого напряжения и силы тока.
  - Настройки ограничения тока зарядки на зарядном устройстве.
  - Отклонения сетевого напряжения.
  - Температура окружающей среды в месте нахождения автомобиля и зарядного устройства. При температуре, находящейся в граничных областях допустимой температуры окружающей среды, продолжительность зарядки может увеличиться.
- ▷ Обратите внимание на информацию в главе «Активация и деактивация контроля заземления» на странице 249.
- Температура высоковольтной АКБ и панели управления.
  - Использование функции предварительного кондиционирования салона.
  - Максимальный ток сетевого штекера и автомобильного зарядного штекера.



#### Информация

Ввиду различных национальных вариантов сети питания предлагаются различные варианты кабелей. Из-за этого достижение полной мощности зарядки может оказаться невозможным. Посоветуйтесь с партнером Porsche.

## Запуск, приостановка и завершение зарядки

### Запуск зарядки


1. Вставьте сетевой штекер в розетку.
  - ☉ Горит белый индикатор кнопки питания.
  - Горят белые индикаторы состояния.
  - ➔ Дисплей включается.
2. Вставьте автомобильный зарядный штекер в соответствующий разъем.
  - ☉ Горит белый индикатор кнопки питания.
  - Мигают белые индикаторы состояния.

При подключении автомобильного кабеля к зарядному разъему автомобиля:

▷ соблюдайте руководство по эксплуатации автомобиля.

  - ➔ После успешной самодиагностики и установки соединения загораются белые индикаторы состояния.
3. Процесс зарядки начинается автоматически.
  - ☉ Горит белый индикатор кнопки питания.
  - Мигают зеленые индикаторы состояния.
4. Через несколько минут зарядное устройство переключается в режим ожидания.
  - ➔ Автомобиль заряжается.



### Информация

- Управление процессом зарядки осуществляется из автомобиля. Процесс зарядки можно прервать только на автомобиле.
- Статус зарядки отображается на дисплее, если зарядное устройство не находится в режиме ожидания. Для включения дисплея нажмите кнопку питания .
- Отключение при повышенной температуре защищает от перегрева в процессе зарядки.

### Приостановка зарядки



По причине управления через автомобиль может возникать приостановка зарядки, например для оптимизации расхода электроэнергии.

Приостановка зарядки отображается на панели управления.

-  Горит белый индикатор кнопки питания.  
 Мигают синие индикаторы состояния.  
Дисплей включается.

Автомобиль самостоятельно возобновляет процесс зарядки. Процесс зарядки можно прервать на автомобиле.

### Завершение зарядки

- ✓ Зарядка успешно завершена.  
 Горит белый индикатор кнопки питания.  
 Горят зеленые индикаторы состояния.  
Дисплей включается и показывает информацию о завершенной зарядке. Через несколько минут зарядное устройство переключается в режим ожидания.
- ▶ Отсоедините автомобильный зарядный штекер из автомобильного зарядного разъема.

### Ограничение тока зарядки

Панель управления автоматически определяет напряжение и доступную силу тока. Посредством ограничения тока зарядки можно настроить мощность зарядки. Сохраняется последняя настройка зарядного тока. В случае применения бытовых розеток во избежание перегрева электропроводки при поставке ток зарядки автоматически ограничивается на уровне 50 %.

Если зарядное устройство соединено с системой управления электропитанием, то система ограничивает ток зарядки согласно настроенным в системе управления электропитанием значениям. Максимально доступный ток зарядки может также снижаться, например из-за других имеющихся потребителей в домашней сети, таких как электроотопление или нагреватель воды. Ни в коем случае нельзя настраивать мощность зарядки на значение, превышающее максимально доступную мощность в используемой электрической цепи. В случае сомнения обратитесь к квалифицированному электрику.

### Plug and Charge

С помощью функции Plug & Charge можно заряжать автомобиль в подходящей инфраструктуре зарядки в частных и общественных местах без предварительной ручной инициализации процесса зарядки на зарядной станции или зарядном устройстве. Расчет стоимости зарядки осуществляется автоматически на основании договора с поставщиком услуг.

- ✓ Автомобиль разблокирован для интеллектуальных функций зарядки.

- ✓ Инфраструктура зарядки подходит для Plug & Charge.
- ✓ Договор с поставщиком услуг включает Plug & Charge.

### Private Plug & Charge

Если при Mobile Charger Connect активирована защита устройств, зарядную сессию можно начать только при вводе PIN ▶ Обратите внимание на информацию в главе «Защита устройства» на странице 244. Это служит для защиты от внешнего доступа.

### Список автомобилей (регистрация автомобиля)

После ввода PIN появляется запрос о том, следует ли включить автомобиль в список автомобилей Mobile Charger Connect. При наличии согласия однократное сопряжение автомобиля с Mobile Charger Connect немедленно распознает автомобиль после подключения зарядного кабеля и запускает зарядную сессию. Таким образом, для всех последующих процессов зарядки на этом автомобиле ввод PIN больше не требуется.

### Вызов списка автомобилей

В Mobile Charger Connect может быть зарегистрировано несколько автомобилей. Каждый автомобиль отдельно приведен в списке автомобилей.

- ▶ Выбрать **Настройки**  ▶ **список автомобилей**.

С помощью этого списка можно снова удалить автомобили.

## Активация и деактивация контроля заземления



ОПАСНО

Поражение электрическим током, короткое замыкание, пожар, взрыв, огонь

Применение зарядного устройства без активного контроля заземления может вызвать поражение электрическим током, короткие замыкания, пожары, взрывы или ожоги.

- ▶ Зарядное устройство следует эксплуатировать предпочтительно в электрических сетях, имеющих надлежащее заземление.
  - ▶ Контроль заземления отключайте только в незаземленных электрических сетях.
  - ▶ Контроль заземления включайте в заземленных электрических сетях.
- 
- ▶ Обратите внимание на информацию в главе «Активация контроля заземления» на странице 249.

### Деактивация контроля заземления

- ✓ Сообщение о неисправности относительно оборванного или отсутствующего защитного провода отображается на дисплее.
- ✓ Контроль заземления прервал процесс зарядки и препятствует запуску.
  - ☹ Горит красный индикатор кнопки питания.
  - Горят красные индикаторы состояния.

На дисплее отображается сообщение о неисправности.

1. Для деактивации контроля заземления подтвердите сообщение о неисправности, нажав **Подтвердить**.
2. Нажмите кнопку питания ☺ и удерживайте ее нажатой в течение 3 секунд.
3. Подтвердите деактивацию контроля заземления, нажав **Подтвердить**.
  - ➔ Отключение сохраняется также для следующих процессов зарядки.

### Активация контроля заземления

Если зарядное устройство эксплуатируется в заземленной электросети, снова активируйте контроль заземления.

1. Вызовите меню **Контроль заземления (Настройки ⚙ ▶ Контроль заземления)**.
2. Активируйте контроль заземления, нажав **Активировать**.  
При активированном контроле заземления пункт меню **Контроль заземления** больше не появляется в меню **Настройки** ⚙.

### Авторизация в веб-приложении

Для стандартного управления веб-приложением укажите пользователя «Домашние пользователи». Пользователю «Сервисная служба» доступны дополнительные возможности настройки, и эта роль предназначена для обслуживания вашим партнером Porsche.

- ✓ Найдите письмо с данными доступа.
- 1. В поле **Пользователь** выберите соответствующего пользователя.
- 2. Введите пароль (из письма с данными доступа).

### Информация

Через 25 минут отсутствия активности пользователь автоматически выходит из веб-приложения.

### Запуск веб-приложения

С помощью веб-приложения, которое уникально для каждого зарядного устройства, можно открыть дополнительные возможности конфигурации и подробную информацию по предыдущим процессам зарядки.

### Информация

- В зависимости от используемого браузера веб-приложение открывается не сразу, а сначала отображается указание на настройки безопасности браузера.
- Ввод ключа шифрования для вызова веб-приложения зависит от операционной системы конечного устройства.

### Вызов веб-приложения через точку доступа


Веб-приложение можно открыть с помощью конечного устройства (ПК, планшета или смартфона) через созданную зарядным устройством точку доступа.

Для создания точки доступа выполните указанные ниже действия.

- ▶ Обратите внимание на информацию в главе «Точка доступа» на странице 244.
- ▶ Для вызова веб-приложения при активной точке доступа в адресной строке браузера необходимо ввести следующий IP-адрес: 192.168.0.1

### Запуск веб-приложения через WiFi

Веб-приложение можно открыть в браузере конечного устройства (ПК, планшет или смартфон), зарегистрированного в той же домашней сети, что и зарядное устройство.

- Введите в адресную строку браузера актуальный IP-адрес зарядного устройства. Актуальные IP-адреса можно найти в меню **Настройки**  ▶ **Сеть** ▶ **Информация о сетях** — или —  
Введите в адресную строку браузера имя хоста зарядного устройства. Имена хостов можно найти в письме с данными доступа.

▶ Указания по использованию веб-приложения см. в руководстве на сайте <https://www.porsche.com/international/aboutporsche/e-performance/help-andcontact/>.


## Работа с веб-приложением

### Запуск веб-приложения


#### Установка соединения с зарядным устройством

Если зарядное устройство во время настройки подключено к домашней сети (WiFi или Powerline Communication), в таком случае веб-приложение можно подключить по заданному IP-адресу. Для информации по установке сетевых подключений см. ▶ Обратите внимание на информацию в главе «Соединения» на странице 251..

#### Запуск веб-приложения через WiFi

- ✓ Конечное и зарядное устройства находятся в одной WiFi-сети.
- 1. Откройте браузер.
- 2. В адресной строке браузера: введите IP-адрес, заданный при конфигурации (на зарядном устройстве в пункте **Настройки**  ▶ **Сети** ▶ **Информация о сетях**), или имя хоста зарядного устройства (указано в письме с данными доступа).

#### Вызов веб-приложения с помощью Powerline Communication

- ✓ Конечное и зарядное устройства находятся в одной сети в рамках одного соединения с PLC.
- 1. Откройте браузер.
- 2. В адресной строке браузера: введите IP-адрес, заданный при конфигурации (на зарядном устройстве в пункте **Настройки**  ▶ **Сети** ▶ **Информация о сетях**).

### Вызов веб-приложения через точку доступа

В качестве альтернативы можно установить соединение через точку доступа. Зарядное устройство оборудовано беспроводной точкой доступа (Hotspot), которая защищена паролем и требует ручной авторизации. Конечное устройство, совместимое с WiFi, может подключаться к точке доступа и соединяться с зарядным устройством в веб-приложении. Установить соединение с домашней сетью в веб-приложении можно в любой момент.

- ✓ Зарядное устройство включено. Зарядное устройство автоматически открывает точку доступа к WiFi.
- 1. Нажмите на символ сети или WiFi на панели инструментов конечного устройства.
- 2. Выберите сеть WiFi из списка. Имя сети WiFi соответствует SSID в письме с данными доступа и отображается как **ICCPD-#####**.
- 3. Нажмите кнопку «Соединить».
- 4. Введите сетевой ключ в поле **Ключ безопасности** (указан в письме с данными доступа как **Wi-Fi PSK**).
  - ➡ Устанавливается соединение с сетью WiFi.
  - Указание. В операционной системе Windows 10 сначала будет запрошен PIN-код маршрутизатора. Перейдите по ссылке «Соединение с применением ключа безопасности сети» и укажите ключ.
- 5. Откройте браузер.
- 6. Введите в адресную строку браузера следующий IP-адрес зарядного устройства: **192.168.0.1**.



### Информация

Если конечное устройство находится в домашней сети, оно соединяется в веб-приложении не посредством IP-адреса точки доступа (192.168.0.1), а с помощью автоматически заданного IP-адреса или имени хоста зарядного устройства.

- Имеющиеся записи IP-адреса:
  - веб-приложение: **Техобслуживание** ▶ **Информация об устройстве**;
  - зарядное устройство: **Настройки** ⚙️ ▶ **Сети** ▶ **Информация о сетях**;
- имеющиеся записи имени хоста:
  - письмо с данными доступа;
  - веб-приложение: **Техобслуживание** ▶ **Информация об устройстве**.

### Переадресация в веб-приложение

#### Информация

В зависимости от используемого браузера веб-приложение открывается не сразу, а сначала отображается указание на настройки безопасности браузера.

1. В предупредительном сообщении браузера нажмите **Подробнее**.
2. В приведенном ниже диалоговом окне выберите **Добавить исключения**.
  - ➔ Веб-приложение откроется после подтверждения сертификата SSL.

### История зарядок

Процессы зарядки устройства приведены в хронологическом порядке. По каждому процессу зарядки доступна следующая информация:

- момент времени;
- продолжительность зарядки;
- расход;
- затраты (если энергетический менеджер доступен);
- используемая учетная запись (если она была выбрана во время активной зарядной сессии).

Веб-приложение предлагает возможность экспортировать историю зарядок в формате Excel.

1. Выберите пункт **Экспорт истории зарядки**.
2. Перейдите к нужному месту сохранения и сохраните файл.

#### Информация

Для каждой активной зарядной сессии в целях анализа на выбор доступны учетные записи **Рабочий** или **Личный**. Выбрать учетную запись можно в информации по текущей **зарядной сессии** (символ **i** в строке меню) на зарядном устройстве. Выбор также выполняется во время следующей зарядной сессии и при необходимости должен переназначаться.

### Соединения

Для доступа к веб-приложению зарядного устройства, его информации и настройкам конечное и зарядное устройства должны находиться в домашней сети (соединение WiFi или PLC). Всеми функциями веб-приложения можно пользоваться посредством интернет-соединения домашней сети.

Если в месте использования домашняя сеть недоступна, конечное устройство (ПК, планшет или смартфон) может подключаться напрямую к зарядному устройству через его точку доступа WiFi. Таким образом, интернет-соединение отсутствует и имеется доступ только к местным установленным функциям.

#### Информация

Если конечное устройство находится в домашней сети, оно соединяется в веб-приложении не посредством IP-адреса точки доступа (192.168.0.1), а с помощью автоматически заданного IP-адреса или имени хоста зарядного устройства.

- Имеющиеся записи IP-адреса:
  - веб-приложение: **Техобслуживание** ▶ **Информация об устройстве**;
  - зарядное устройство: **Настройки** ⚙️ ▶ **Сети** ▶ **Информация о сетях**;
- имеющиеся записи имени хоста:
  - письмо с данными доступа;
  - веб-приложение: **Техобслуживание** ▶ **Информация об устройстве**.

#### Информация

При переключении между режимом точки доступа и сетевым соединением WiFi или наоборот в процессе настройки режима точки доступа необходимо авторизоваться в системе снова.

Переключение на домашнюю сеть посредством Powerline Communication наряду с имеющимся соединением с точкой доступа можно выполнить без перезапуска.

## **i** Информация

При использовании веб-приложения соединение по точке доступа следует деактивировать, только если возможно подключение к домашней сети.

- ▶ Выберите требуемое подключение к сети (точка доступа, WiFi, Powerline Communication).

## Точка доступа

Конечное устройство можно напрямую подключить к зарядному устройству через встроенную точку доступа WiFi.

1. Выберите функцию **Настройки точки доступа**.
  2. В настройках введите имя сети и ключ безопасности точки доступа.
- ▶ Информация об установке соединения с точкой доступа: ▶ Обратите внимание на информацию в главе «Запуск веб-приложения» на странице 250..

## WiFi

### **i** Информация

Если зарядное устройство уже подключено к конечному устройству через точку доступа, установить одновременное соединение с сетью WiFi невозможно. Сначала следует деактивировать точку доступа.

1. Активируйте WiFi.
2. Выберите опцию **Подключиться к сети**.

3. Выберите соответствующую сеть из списка и введите **Ключ безопасности**. **Другая сеть**: выберите, если требуется работа в невидимой сети.
4. Выберите автоматический ввод IP-адреса (рекомендуется).
  - ➔ IP-адрес отображается при установке соединения с сетью.

В списке для сети отображается статус **Соединено**.

## Управление сетями WiFi

Опция	Пояснение
<b>Другая сеть</b>	▶ Выберите, если сеть невидима.
<b>Управление известными сетями</b>	▶ Выберите <b>Удалить</b> чтобы удалить сохраненные сети. Зарядное устройство уже находится в соответствующей сети.

## Отключение соединения с сетью

1. Выберите сеть, с которой установлено соединение.
2. Выберите **Разъединить**, чтобы разорвать соединение с сетью WiFi.

## Конфигурация сетевого подключения

1. Выберите сеть, с которой установлено соединение.
2. Выберите **Конфигурировать**, чтобы изменить настройки IPv4-адреса и DNS-сервера.

## **i** Информация

Для сетевого соединения используется диапазон частот 2,4 ГГц. При возникновении проблем с подключением деактивируйте диапазон частот 5 Гц на маршрутизаторе сети.

## Powerline Communication

В качестве альтернативы можно подключить зарядное устройство к WiFi посредством соединения с домашней сетью. При этом используется имеющаяся электросеть для создания локальной сети передачи данных. Зарядное устройство зарегистрировано в сети PLC как клиент.

Для установки соединения можно соединить зарядное устройство и PLC-модем друг с другом с помощью кнопок сопряжения. В таком случае зарядное устройство автоматически подключается к PLC-модему. Второй вариант установки соединения — ввести ключ безопасности зарядного устройства на модеме PLC.

1. Активируйте **Powerline Communication (PLC)**.
2. Добавление зарядного устройства к сети PLC
  - **Опция 1:** с помощью кнопки сопряжения.
    - a. В веб-приложении выберите опцию **Установить соединение с помощью метода PLC-Push**.
    - b. Выберите **Начать соединение**.
    - c. В течение 2 минут нажмите кнопку сопряжения на PLC-модеме, чтобы запустить установку соединения.
    - d. Выберите кнопку **Соединить**, чтобы подтвердить сопряжение.
  - **Опция 2:** с вводом ключа безопасности PLC.

а. Выберите опцию **Установить соединение с помощью ключа безопасности PLC**. Отобразится ключ безопасности.

б. Введите ключ безопасности в настройках PLC-модема.

- ➔ Зарядное устройство интегрируется с сетью PLC, и соединение устанавливается.

### Соединение PLC с автомобилем

Эта функция отображается и доступна для настройки только пользователю **Сервисная служба**. После деактивации соединения с PLC данные больше не передаются по кабелю в автомобиль.

Это состояние требуется, например, во время определенных измерений.

С помощью передачи данных можно выполнять стандартную зарядку на основе протокола (High Level Communication).

Без передачи данных зарядная сессия основана на электрических параметрах (широотно-импульсная модуляция).

### Добавление энергетического менеджера

Чтобы передать управление процессом зарядки энергетическому менеджеру, сначала его необходимо соединить с зарядным устройством (устройством EEBus) в одной сети Powerline-Communication (PLC). Соединение можно установить в веб-приложении энергетического менеджера и веб-приложении зарядного устройства (опционально — непосредственно на зарядном устройстве).

#### Установка соединения с зарядным устройством на энергетическом менеджере

➤ Процесс установки соединения с зарядным устройством описан в главе «Добавление устройства EEBus» руководства по веб-приложению Porsche Home Energy Manager.

#### Установка соединения с энергетическим менеджером на зарядном устройстве

- ✓ Зарядное устройство и энергетический менеджер находятся в одной сети.
- 1. В веб-приложении зарядного устройства перейдите к пункту **Соединения** ▶ **Энергетич. менеджер**.
  - ➔ Энергетический менеджер отобразится в списке **Доступные энергетические менеджеры**.
- 2. Выберите и разверните энергетический менеджер.
- 3. Выберите пункт **Подсоединить устройство**.
  - ➔ Проверяется установка соединения.

4. В диалоговом окне **Установить соединение** еще раз проверьте идентификацию энергетического менеджера по идентификационному номеру (SKI) и выберите опцию **Соединить**.

- ➔ Энергетический менеджер успешно подключен и отображается со статусом **Энергетический менеджер подключен**.

Используются настройки энергетического менеджера (например, данные по зарядному току, защите от перегрузки, оптимизации зарядки и настройкам тарифа) из зарядного устройства.

#### Отсоединение от энергетического менеджера

1. В веб-приложении зарядного устройства перейдите к пункту **Соединения** ▶ **Энергетич. менеджер**.
  - ➔ Отображается подключенный энергетический менеджер со статусом **Энергетический менеджер подключен**.
2. Выберите пункт **Разъединить**.
  - ➔ Соединение между энергетическим менеджером и зарядным устройством разрывается.

### Привязка профиля пользователя

#### **i** Информация

Для передачи данных в вашу учетную запись Porsche ID необходимо подключить устройство к интернету.

Информацию о зарядных сессиях можно также просматривать в учетной записи Porsche ID. Для этого зарядное устройство должно быть связано с Porsche ID.

1. Нажмите кнопку **Подключить профиль пользователя**.
  - ➔ Открывается диалоговое окно **Подключить профиль пользователя**.
2. В зависимости от наличия интернет-соединения выберите одну из указанных ниже опций. (см. «Опции подключения к интернету»).
3. На веб-сайте введите данные для входа в учетную запись Porsche ID (Porsche ID, пароль).

### Опции подключения к интернету

Опция	Пояснение
<b>К My Porsche</b>	<ul style="list-style-type: none"> <li>✓ Веб-приложение с подключением к интернету.</li> <li>▶ Вы будете переадресованы в свою учетную запись Porsche ID.</li> </ul>
<b>Дополнительные опции</b>	<ul style="list-style-type: none"> <li>✓ Веб-приложение без подключения к интернету.</li> <li>▶ С помощью мобильного конечного устройства, подключенного к Интернету, отсканируйте отображенный QR-код или вручную введите указанный URL-адрес в строке браузера.</li> </ul>

## Настройки

### Система

#### Деморежим

Эта настройка отображается только пользователю «Сервисная служба». В деморежиме удобно просматривать функции зарядного устройства и симулировать зарядную сессию. Настройки, выполненные в деморежиме, не сохраняются.

- ✓ Пользователь **Сервисная служба** авторизован.
- ▶ Активируйте функцию.

При повторной авторизации в веб-приложении деморежим деактивируется.

#### Изменение пароля

Позволяет изменить пароль для входа в систему веб-приложения. Поверх первоначального пароля из письма с данными доступа записывается новый введенный пароль.

- ▶ Выберите пункт **Изменить** и введите новый пароль.

#### Активация защиты устройства

Запрос PIN-кода служит для защиты вашего зарядного устройства и препятствует несанкционированному подключению автомобилей к нему.

1. Активируйте функцию.
2. Введите PIN-код из 4 цифр и подтвердите его.
3. Повторите PIN и подтвердите.
  - ➔ Активация запроса PIN подтверждена.

Введите этот PIN-код для разблокировки зарядного устройства.

#### Активация гостевого PIN-кода

Можно дополнительно задать гостевой PIN-код для другого пользователя.

- ▶ Порядок действий аналогичен установке PIN-кода для защиты устройства.

#### Информация

Гость не может настраивать зарядное устройство.

#### Регулировка энергопотребления

Активируйте спящий режим для экономии электроэнергии. Спящий режим запускается по завершении зарядки.

- ▶ Активируйте функцию **Спящий режим**.  
Для выхода из спящего режима и возврата в состояние готовности работы устройству требуется время.

#### Информация

Через длительное время бездействия зарядное устройство автоматически переключается в режим ожидания: На первом этапе снижается яркость дисплея устройства, а затем дисплей отключается. Для продолжения работы нажмите кнопку питания.

### Указание языка и страны

Поле	Пояснение
Язык	Выбор языка для веб-приложения.
Страна	Страна использования. Настройки конфигурации зависят от экспортного исполнения. Если данные отличаются от фактического места использования, некоторые настройки могут быть недоступны.

### Ввод времени и даты

Поле	Пояснение
Дата и время	<p>При соединении с сетью дата и время задаются автоматически.</p> <p><b>Часовой пояс:</b> можно выбрать ручную.</p> <p><b>Установка времени:</b> введите время, если сетевое время не доступно по умолчанию.</p>

### Единицы измерения

Выберите параметры и единицы измерения для устройства.

#### Дисплей устройства

Эта настройка определяет яркость экрана зарядного устройства.

#### Зарядка

##### Статус сети


Эта настройка отображается только пользователю

**Сервисная служба.** Представленная здесь информация о статусе сети автоматически распознается устройством.

Индикатор	Пояснение
Фазы сети	Количество фаз сетевого кабеля.
Тип кабеля	Тип автомобильного зарядного кабеля. Тип кабеля подразумевает важную информацию для настройки максимального зарядного тока.
Ограниченная эксплуатация	<p>Цифра указывает, мощность зарядки каких датчиков снижается вследствие перегрева.</p> <ul style="list-style-type: none"> <li>0: повышенная температура микроконтроллера</li> <li>1: повышенная температура реле</li> </ul>

Индикатор	Пояснение
	<ul style="list-style-type: none"> <li>2: повышенная внутренняя температура</li> <li>3: повышенная температура кабеля инфраструктуры датчика 1</li> <li>4: повышенная температура кабеля инфраструктуры датчика 2</li> </ul>

### Контроль заземления

 <b>ОПАСНО</b>	Поражение электрическим током, короткое замыкание, пожар, взрыв, огонь
---	--

Применение зарядного устройства без активного контроля заземления может вызвать поражение электрическим током, короткие замыкания, пожары, взрывы или ожоги.

- ▶ Зарядное устройство следует эксплуатировать предпочтительно в электрических сетях, имеющих надлежащее заземление.
- ▶ Контроль заземления отключайте только в незаземленных электрических сетях.
- ▶ Контроль заземления включайте в заземленных электрических сетях.

Подробнее об активации и деактивации контроля заземления см. на странице ▶ Обратите внимание на информацию в главе «Активация и деактивация контроля заземления» на странице 249.

## Настройка зарядного тока

Если зарядный ток слишком высок для автомобиля, может сработать предохранитель. В таком случае произойдет сбой электропитания в области предохранителя.

Если энергетический менеджер соединен с зарядным устройством, то защита от перегрузки контролирует поступление зарядного тока на устройство. Если в домашней сети нет энергетического менеджера, необходимо задать максимальный ток для зарядного устройства.

Указанный здесь зарядный ток не должен превышать максимальное значение нагрузки на электропроводку.

При установке максимального зарядного тока учитывайте следующее:

- тип кабеля, подключенного к зарядному устройству;
- другие потребители, подключенные к этой линии или этому предохранителю.

Информацию о сетевом кабеле и его применении в зависимости от страны см. на странице Обратите внимание на информацию в главе «Выбор сетевого кабеля» на странице 238.

### **i** Информация

Ни в коем случае нельзя настраивать мощность зарядки на значение, превышающее максимально доступную мощность в электрической цепи.

В случае сомнения обратитесь к квалифицированному электрику.

### **i** Информация

При наличии соединения с энергетическим менеджером его настройки записываются поверх заданного здесь значения.

- ✓ Автомобильный кабель подключен к зарядному устройству.
- ▶ С помощью регулятора в веб-приложении можно выставлять минимальное и максимальное значения зарядного тока.

## Техническое обслуживание

### Отображение информации об устройстве

Эта информация относится к таким данным устройства, как номер версии, серийный номер и имя хоста.

При возникновении сообщения о неисправности эти данные потребуются дилеру Porsche.

### Отображение информации об общей продолжительности

Индикатор	Пояснение
<b>Общее энергопотребление</b>	Отображает общее энергопотребление этого зарядного устройства за все предыдущие зарядные сессии.

<b>Общая продолжительность зарядки</b>	Отображает общую продолжительность зарядки этого зарядного устройства за все предыдущие зарядные сессии.
--	--

### Отображение памяти событий

Эта настройка отображается только пользователю

**Сервисная служба.** Отображаемая информация о памяти событий относится к сообщениям о неисправностях, возникающих в процессе проверки

системы. Отображаются активная и пассивная памяти событий. В отличие от пассивных событий, активные события и текущие ошибки отображаются длительное время.

- ▶ Выберите соответствующий протокол для отображения сообщений о неисправности и событий проверки системы.

### Установка обновления ПО

По умолчанию зарядное устройство проверяет наличие обновлений ПО и загружает их. Эта настройка позволяет задать автоматическую или ручную установку обновлений ПО. **Версия ПО:** отображает версию уже установленного ПО.

### **i** Информация

Для поиска и загрузки обновлений ПО устройство должно быть подключено к Интернету.

### Автоматическое выполнение

При активной функции зарядное устройство автоматически устанавливает обновления ПО.

- ▶ Выберите функцию **Автоматическое обновление ПО.**

### Выполнение вручную

Когда появляется новая доступная версия ПО, в обзоре статуса устройства отображается соответствующее указание.

- ✓ Функция **Автоматическое обновление ПО** деактивирована.
- ▶ Нажмите кнопку **Выполнить обновление ПО** для запуска установки.

### Сохранение настроек

Ваши настройки конфигурации и полученные данные можно сохранить в резервной копии. При необходимости (например, после возврата к заводским настройкам) эти параметры можно восстановить из резервной копии. Резервные копии создаются вручную в веб-приложении.

В резервных копиях не сохраняются ни пароли, ни личные данные (например, история зарядок).

### Создание резервной копии

При создании резервной копии вручную данные сохраняются на вашем конечном устройстве.

- ✓ Конечное и зарядное устройства находятся в одной сети.
- 1. Выберите пункт **Экспортировать**.
- 2. Перейдите к месту сохранения.
- 3. Сохраните файл резервной копии.

**Установка пароля:** ввод пароля.

Пароль защищает данные и требуется для импорта или восстановления из резервной копии.

### Восстановление из резервной копии

Сохраненный файл резервной копии можно импортировать с конечного устройства на зарядное.

- ✓ Конечное и зарядное устройства находятся в одной сети.
- 1. Нажмите кнопку **Импортировать**.
- 2. Перейдите к файлу резервной копии и выберите его.
- 3. Введите пароль, используемый при создании этой копии.

### Сброс до заводских настроек

Активация этой функции позволяет удалить все личные данные и конфигурации, например истории зарядок и сетевые настройки. Кроме того, все пароли сбрасываются до первоначального пароля, указанного в письме с учетными данными.

- ▶ Активируйте функцию **Сбросить до заводских настроек**.

Чтобы создать резервную копию, выберите пункт **Обратите внимание** на информацию в главе «Техническое обслуживание» на странице 256.

### **i** Информация

В случае возврата настроек до заводского состояния при последующем вводе в эксплуатацию помощник при настройке поможет вам выполнить основные настройки устройства.

## Зарядная док-станция

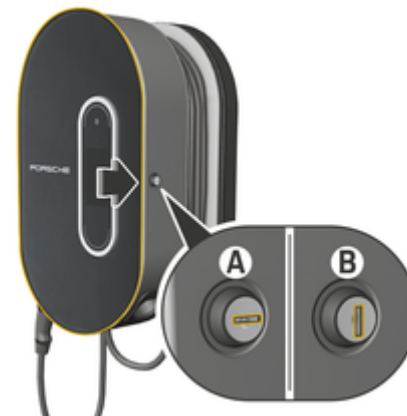


Рис. 116: Зарядная док-станция

### Открытие зарядной док-станции

- ▶ Нажмите на дверцу зарядной док-станции в **направлении, указанном стрелкой**. Дверца открывается автоматически.

### Закрывание зарядной док-станции

- ▶ Закройте дверцу зарядной док-станции и прижмите ее в **направлении, указанном стрелкой**.

### Блокировка зарядной док-станции

- ▶ Поверните замок в положение **A** (Рис. 116).

### Разблокировка зарядной док-станции

- ▶ Поверните замок в положение **B** (Рис. 116).

### Зацепление панели управления в зарядной док-станции и ее извлечение

#### ПРИМЕЧАНИЕ

Повреждение зарядного устройства

- ▶ Всегда держите дверцу закрытой.
- ▶ Не кладите ничего на дверцу или зарядную док-станцию.

### Зацепление панели управления в зарядной док-станции

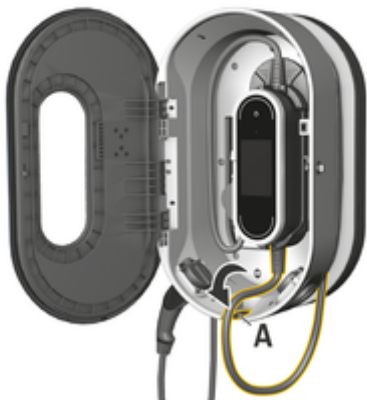


Рис. 117: Зацепление панели управления

1. Откройте дверцу зарядной док-станции.
2. Введите панель управления вниз в фиксирующие выступы зарядной док-станции и прижмите назад до ощутимого щелчка.
3. Проведите автомобильный кабель через отверстие **A** (Рис. 117) и намотайте лишний кабель на зарядную док-станцию.
4. Вставьте штекер сетевого кабеля в розетку.
5. Закройте дверцу зарядной док-станции.

### Извлечение панели управления из зарядной док-станции



Рис. 118: Зацепление панели управления

1. Откройте дверцу зарядной док-станции.
2. Извлеките штекер сетевого кабеля из розетки.
3. Полностью смотайте автомобильный кабель зарядной док-станции.



## Нарушения работы

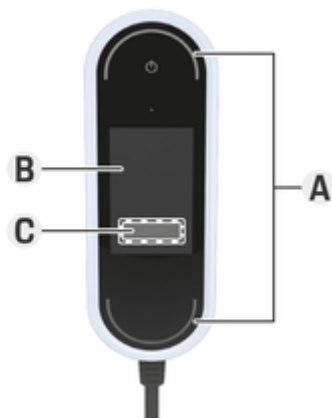


Рис. 119: Индикация нарушений работы

- A** Горят красные индикаторы состояния
- B** Сообщение о неисправности и причина
- C** Способ устранения

При ошибках или неисправностях зарядное устройство показывает соответствующее указание на дисплее. Горят красные индикаторы состояния, а также красный индикатор кнопки питания. В указании содержится сообщение о неисправности, информация о причине и способ устранения.

- ▶ Следуйте инструкциям, указанным в способе устранения.

**ПРИМЕЧАНИЕ**

Повреждение зарядного устройства



- ▶ Если неисправность возникает постоянно или снова, отключите зарядное устройство от электросети и свяжитесь с квалифицирован-

ным электриком. Porsche рекомендует поручать эти работы официальному сертифицированному дилеру Porsche.

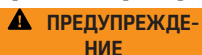
В следующем обзоре приведены рекомендации с порядком действий в случае нарушений работы, которые ограничивают или препятствуют зарядке автомобиля.

Ситуация	Руководство к действию
Индикация (дисплей, индикаторы состояния, кнопка питания) полностью выключена.	<ul style="list-style-type: none"> <li>▶ Отключите зарядное устройство от электросети и замените.</li> <li>▶ Обратитесь к квалифицированному электрику для проверки домашней электросети.</li> </ul>
На дисплее ничего не отображается, не включены индикаторы состояния, горит красный индикатор кнопки питания.	<ul style="list-style-type: none"> <li>▶ Перегрев зарядного устройства. Отсоедините зарядное устройство от электросети и дайте ему медленно остыть без вспомогательных средств.</li> <li>▶ Если ошибка сохраняется, замените зарядное устройство.</li> </ul>

Ситуация	Руководство к действию
Ограниченная эксплуатация или зарядка невозможна (сообщение на дисплее).	<ul style="list-style-type: none"><li>▶ Убедитесь, что сетевой и автомобильный кабели соединены с панелью управления с правильной стороны, и правильно подсоедините к разъемам.</li><li>▶ Убедитесь, что зарядное устройство находится в допустимом диапазоне температуры.<ul style="list-style-type: none"><li>▷ Обратите внимание на информацию в главе «Технические характеристики» на странице 265.</li></ul></li><li>▶ При необходимости подтвердите имеющееся сообщение о неисправности.</li><li>▶ Перезапустите зарядное устройство. Для повторного запуска нажмите и удерживайте кнопку питания в течение минимум 10 секунд.</li></ul>
Очень низкий ток зарядки (сообщение на дисплее).	<ul style="list-style-type: none"><li>▶ Перегрузка домашней сети. Отключите другие крупные потребители тока.</li></ul>
Очень высокое напряжение сети (сообщение на дисплее).	<ul style="list-style-type: none"><li>▶ Обратитесь к квалифицированному электрику для проверки домашней электросети.</li></ul>
Зарядное устройство не находится в допустимом диапазоне температуры (сообщение на дисплее).	<ul style="list-style-type: none"><li>▶ Отключение по температуре устройства: избегайте прямых солнечных лучей и дайте зарядному устройству медленно остыть без вспомогательных средств.</li><li>▶ Отключение при низкой температуре устройства: перед применением дайте зарядному устройству нагреться в условиях допустимой окружающей температуры.</li><li>▶ Неисправность датчика температуры устройства: замените зарядное устройство.</li></ul>
Сработал защитный выключатель домашней электросети (сообщение на дисплее).	<ul style="list-style-type: none"><li>▶ Снижьте ток зарядки в настройках зарядного устройства.</li><li>▶ При необходимости подтвердите имеющееся сообщение о неисправности.</li></ul>

Ситуация	Руководство к действию
<p>Отображается индикация прерывания зарядки:</p> <ul style="list-style-type: none"><li>▶  Горит белый индикатор кнопки питания.</li><li>▶  Мигают синие индикаторы состояния.</li><li>▶ Дисплей включается.</li></ul>	<ul style="list-style-type: none"><li>▶ Подождите, пока автомобиль самостоятельно не возобновит процесс зарядки.</li><li>▶ Процесс зарядки можно прервать на автомобиле.</li></ul>

### Транспортировка



Незакрепленный груз

Незакрепленное, неправильно закрепленное или неправильно размещенное зарядное устройство при торможении, разгоне, изменении направления движения или в случае аварии может сместиться и подвергнуть пассажиров опасности.

- ▶ Не перевозите зарядное устройство в незакрепленном виде.
- ▶ Всегда перевозите зарядное устройство в багажном отсеке, а не в салоне автомобиля (например, на сиденьях или перед ними).

### Фиксация зарядного устройства при транспортировке

В зависимости от типа автомобиля зарядное устройство поставляется вместе с транспортной сумкой или без нее.

- ▶ Если транспортная сумка включена в комплект поставки, всегда убирайте зарядное устройство в сумку и перевозите в ней. Закрепите сумку с помощью карабинов за передние и задние крепежные петли.

Подробная информация о крепежной петле в багажном отсеке:

▶ соблюдайте руководство по эксплуатации автомобиля.

- ▶ Если транспортная сумка не включена в комплект поставки, поместите зарядное устройство для транспортировки в задний багажный отсек.
- ▶ В зависимости от типа автомобиля следует хранить зарядное устройство так, чтобы в случае опасности ничего не угрожало пассажирам.

## Очистка и обслуживание

Регулярно проверяйте зарядное устройство на предмет повреждений и загрязнения, при необходимости чистите его.



**ОПАСНО**

Поражение электрическим током, пожар

Опасность получения серьезных травм вплоть до смертельного исхода при пожаре или ударе током.

- ▶ Не погружайте зарядное устройство и штекеры в воду и не подвергайте их воздействию прямой струи воды (например, из мойки высокого давления или садовых шлангов).
- ▶ Очищайте зарядное устройство только после полного отсоединения панели управления от электросети и автомобиля. Для очистки используйте сухую салфетку.

### Утилизация

Старые электрические и электронные приборы сдавайте в специализированный пункт приема или в компанию, специализирующуюся на утилизации.

- ▶ Не выбрасывайте электрические/электронные приборы вместе с бытовым мусором.
- ▶ Утилизируйте электрические/электронные приборы согласно действующим нормативным актам об охране окружающей среды.
- ▶ По вопросам утилизации обращайтесь к партнеру Porsche.

## Технические характеристики

Электрические характеристики 9Y0.971.675...	BE MCC72E2 A <sup>1)</sup>	BG MCC11E3 A <sup>1)</sup>	BJ MCC22E3 A <sup>1)</sup>
Мощность	<b>7,2 кВт</b>	<b>11 кВт</b>	<b>22 кВт</b>
Номинальный ток	16 А, 2-фазный 32 А, 1-фазный	16 А, 3-фазный	32 А, 3-фазный
Номинальное напряжение	100–240 В / 400 В	100–240/400 В	100–240/400 В
Фазы	2/1	3	3
Частота сети	50/60 Гц	50/60 Гц	50/60 Гц
Категория защиты от перенапряжения (IEC 60664)	II	II	II
Встроенное устройство защитного отключения	Тип А (перем. ток: 30 мА) + пост. ток: 6 мА	Тип А (перем. ток: 30 мА) + пост. ток: 6 мА	Тип А (перем. ток: 30 мА) + пост. ток: 6 мА
Класс защиты	I	I	I
Тип защиты	IP55 (США: Enclosure 3R)	IP55 (США: Enclosure 3R)	IP55 (США: Enclosure 3R)
Диапазоны несущей частоты передатчика	2,4 ГГц, 5 ГГц	2,4 ГГц, 5 ГГц	2,4 ГГц, 5 ГГц
Мощность передачи	20 дБм	20 дБм	20 дБм

## Технические характеристики

Механические характеристики 9Y0.971.675...	BE MCC72E2 A <sup>1)</sup>	BG MCC11E3 A <sup>1)</sup>	BJ MCC22E3 A <sup>1)</sup>
Масса панели управления	2,54 кг		
Длина автомобильного кабеля	2,5 м или 7,5 м		
Длина сетевого кабеля	0,9 м		
Механические характеристики базового настенного крепления 9Y0.971.675...	BE MCC72E2 A <sup>1)</sup>	BG MCC11E3 A <sup>1)</sup>	BJ MCC22E3 A <sup>1)</sup>
Габариты базового настенного крепления	385 мм x 135 мм x 65 мм (длина x ширина x высота)		
Масса базового настенного крепления	прибл. 0,45 кг		
Габариты кабелепровода	127 мм x 115 мм x 139 мм (длина x ширина x высота)		
Масса кабелепровода	прибл. 0,42 кг		
Габариты крепления для штекера	136 мм x 50 мм x 173 мм (длина x ширина x высота)		
Масса крепления для штекера	прибл. 0,14 кг		
Масса базового настенного крепления в сборе	прибл. 1 кг		

<sup>1)</sup> А означает предстоящие изменения дизайна и может быть любой буквой.



<b>Механические характеристики зарядной док-станции 9Y0.971.675...</b>	<b>BE</b> MCC72E2 A <sup>1)</sup>	<b>BG</b> MCC11E3 A <sup>1)</sup>	<b>BJ</b> MCC22E3 A <sup>1)</sup>
Размеры зарядной док-станции	373 мм x 642 мм x 232 мм (ширина x высота x длина)		
Масса зарядной док-станции	прибл. 9,7 кг		
<b>Условия окружающей среды и хранения 9Y0.971.675...</b>	<b>BE</b> MCC72E2 A <sup>1)</sup>	<b>BG</b> MCC11E3 A <sup>1)</sup>	<b>BJ</b> MCC22E3 A <sup>1)</sup>
Температура окружающей среды	от -30 до +50 °C		
Влажность воздуха	5 % – 95 % без конденсата		
Высота установки	макс. 5000 м над уровнем моря		

<sup>1)</sup> А означает предстоящие изменения дизайна и может быть любой буквой.



03725-21-12707

Este equipamento opera em caráter secundário, isto é, não tem direito a proteção contra interferência prejudicial, mesmo de estações do mesmo tipo, e não pode causar interferência a sistemas operando em caráter primário". Para maiores informações, consulte o site da ANATEL [www.anatel.gov.br](http://www.anatel.gov.br)

### Заводская табличка

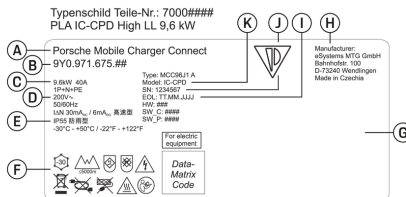


Рис. 120: Заводская табличка с обозначением модели (пример)

- A** Название продукта
- B** Номер артикула
- C** Мощность и номинальный ток
- D** Номинальное напряжение
- E** Тип защиты
- F** Пиктограммы по эксплуатации
- G** Данные по сертификации
- H** Производитель
- I** Дата производства

- J** Серийный номер
- K** обозначение типа

### Данные о производстве

#### Дата производства

Дата производства зарядного устройства указана на заводской табличке с обозначением модели за сокращением «EOL i.O.».

Она указана в следующем формате: ДД.ММ.ГГ

#### Изготовитель зарядного устройства

eSystem MTG GmbH  
Bahnhofstraße 100  
73240 Wendlingen  
Германия

### Электрические испытания

Информацию о регулярном испытании зарядной инфраструктуры (например, VDE 0702) см. на сайте <https://www.porsche.com/international/accessoriesandservice/porscheservice/vehicleinformation/documents/> или узнавайте у партнера Porsche.

### Декларация соответствия

На зарядном устройстве имеется радиомодуль. Производитель данных радиоустройств заявляет, что устройство соответствует требованиям по его использованию согласно директиве ЕС № 2014/53/EU.

Полный текст декларации соответствия ЕС доступен по следующей ссылке:

▷ <http://www.porsche.com/international/accessoriesandservice/porscheservice/vehicleinformation/documents>

### Импортеры

#### Abu Dhabi: Ali & Sons Co. L.L.C

Porsche Centre Abu Dhabi  
Zayed 2nd Street

Abu Dhabi

United Arab Emirates

P.O. Box 915

Телефон: +971 2 619 3911

#### Dubai: Al Nabooda Automobiles L.L.C

Porsche Centre Dubai  
Sheikh Zayed Road E11

Dubai

United Arab Emirates

P.O. Box 10773

Телефон: +971 4 305 8555

### Great Britain



Porsche Cars Great Britain Ltd.

Bath Road

Calcot, Reading, Berkshire

RG31 7SE

United Kingdom

### Russland

Porsche Russia

Ленинградское шоссе дом 71А, строение 10  
125445, Москва, Россия

Телефон: +7-495-580-9911

### Singapur: Porsche Singapore

Porsche Asia Pacific Pte Ltd  
20 McCallum Street #12-01

Tokio Marine Centre

Singapore 069046

## Алфавитный указатель

## А

Автомобильный зарядный разъем.....	247
Авторизация на зарядном устройстве.....	245

## В

Ввод в эксплуатацию.....	243
Веб-приложение	
Ввод в эксплуатацию.....	244
Запуск.....	249
Изменить пароль.....	231
Первоначальный пароль.....	231
Точка доступа.....	249
Утрата пароля.....	231
WiFi.....	250
Возможности управления.....	233
Выбор места монтажа.....	234
Выбор сети.....	243

## Д

Данные доступа.....	230
Веб-приложение.....	231
Серийный номер зарядного устройства.....	231
Данные о производстве.....	267
Дата производства.....	267
Декларация соответствия.....	268
Дисплей	
Перемещение.....	233
Строка меню.....	233
Строка состояния.....	232
Язык и страна.....	243
Домашняя сеть.....	243
Имя хоста.....	251
IP-адрес.....	251
Дополнительная информация.....	227

## З

Заводская табличка.....	267
Замена сетевого и автомобильного кабелей.....	241
Зарядка	
Завершение.....	248
Запуск.....	247
Приостановка.....	248
Зарядная док-станция.....	257
Блокировка.....	257
Закрывание.....	257
Открытие.....	257
Разблокировка.....	258
Зарядное устройство	
Мощность зарядки.....	245
Начальный пароль.....	230
Пиктограмма.....	226
Соединение.....	250
Статус зарядки.....	245
Статус устройства.....	245

Зацепление панели управления в зарядной док-станции.....	258
Защита устройства.....	244

## И

Извлечение панели управления из зарядной док-станции.....	258
Импортёры.....	268
Имя хоста.....	251
Инструменты.....	235
Использование по назначению.....	229

## К

К руководству по эксплуатации	
Дополнительная информация.....	227
Политика конфиденциальности.....	226
Кабель	
Закрепление.....	242
Отсоединение.....	242

Кабель для зарядки	
Типы кабелей и штекеров.....	238
Кабель для зарядки автомобиля	
Типы кабелей и штекеров.....	238
Комплект поставки.....	230
Контроль заземления	
Активация.....	249
Деактивация.....	249
Конфигурация DNS-сервера.....	252
Конфигурация IPv4-адреса.....	251

## М

Монтаж базового настенного крепления.....	235
Монтаж зарядной док-станции	
Монтаж без распорки.....	237
Монтаж с распоркой.....	236
Монтаж крепления соединителя.....	235
Мощность зарядки	
Отображение.....	245

## Н

Нарушения работы.....	259
Настройка запроса PIN-кода.....	244
Настройка зарядного тока.....	244
Необходимый инструмент.....	235
Номер артикула зарядного устройства.....	265

## О

Обновление ПО.....	243
Общее энергопотребление	
Текущий процесс зарядки.....	245
Ограничение тока зарядки.....	248
Очистка.....	263

## П

Панель управления.....	232
Дисплей.....	232
Обзор разъемов.....	231
Фиксация в настенном креплении.....	236

## Алфавитный указатель

Передача данных.....	243
Пиктограммы.....	226
Политика конфиденциальности.....	226
Помощник при настройке.....	245
Потеря данных доступа.....	230
Привязка профиля пользователя.....	244, 253
Привязка Porsche ID.....	244
Продажа зарядного устройства.....	231
Продолжительность зарядки.....	247
Производитель.....	267
Процесс зарядки	
Отображение.....	251
Энергопотребление.....	251
<b>Р</b>	
Ремонт.....	263
<b>С</b>	
Серийный номер.....	267
Серийный номер зарядного устройства.....	231
Сетевой кабель.....	238
бытовая розетка.....	239
промышленная розетка.....	239
Сеть WiFi	
Невидимая сеть.....	252
Отключение.....	252
Соединение.....	252
Управление.....	252
Символы, используемые в настоящем руководстве.....	224
Соединения	
Ключ безопасности PLC.....	243
Кнопка сопряжения PLC.....	243
Точка доступа.....	244
Энергетический менеджер.....	244
WiFi.....	243
Статус зарядки.....	245
Структура предупредительного указания.....	224

## Т

Текущий процесс зарядки.....	245
Технические характеристики	
Механические характеристики.....	265
Условия окружающей среды и хранения.....	265
Электрические характеристики.....	265
Точка доступа.....	244
Настройка.....	252
Транспортировка, фиксация зарядного устройства.....	262

## У

Указание учетной записи.....	253
Указания по использованию.....	246
Указания по технике безопасности.....	227
Установка сетевых подключений	
Точка доступа.....	252
Powerline Communication (PLC).....	252
WiFi.....	252
Утилизация.....	264

## Ф

Фиксация при транспортировке.....	262
-----------------------------------	-----

## Э

Экспорт истории зарядок.....	251
Энергетический менеджер.....	244
Добавление.....	253
Настройка зарядного тока.....	244
Соединение.....	253
Энергопотребление процесса зарядки.....	245

## Я

Язык и страна.....	243
--------------------	-----

## І

IP-адрес.....	251
---------------	-----

## Р

PIN и PUK	
Изменить пароль.....	231
Утрата.....	231
Porsche ID.....	231

## Про посібник

### Попередження й символи

У цьому посібнику використовуються різноманітні попереджувальні написи й символи.



Тяжкі травми або смерть

Недотримання попереджувальних написів категорії "Небезпека" призводить до тяжких травм або смерті.



Можливі тяжкі травми або смерть

Недотримання попереджувальних написів категорії "Попередження" може призвести до тяжких травм або смерті.



Можливі травми середнього або легкого ступеня тяжкості

Недотримання попереджувальних написів категорії "Увага" може призвести до травм середнього або легкого ступеня тяжкості.

### ПРИМІТКА

Можливий матеріальний збиток

Недотримання попереджувальних написів категорії "Примітка" може призвести до пошкодження компонентів автомобіля.



### Інформація

Про наявність додаткових відомостей свідчить позначка "Інформація".

- ✓ Умови, які мають бути виконані для того, щоб можна було використовувати функцію.

▶ Інструкції, яких потрібно дотримуватися.

1. Якщо інструкції складаються з кількох кроків, кожен із них пронумеровано.
2. Інструкції на центральному дисплеї, яких потрібно дотримуватися.

▷ Інформація про те, де знайти додаткові відомості на цю тему.

## Deutsch

### До посібника з експлуатації

Розшифрування піктограм.....	273
Політика конфіденційності.....	273
Додаткова інформація.....	273

### Безпека

Інструкції з техніки безпеки.....	274
Використання за призначенням.....	275

### Комплект постачання

Дані доступу.....	276
-------------------	-----

### Огляд

Роз'єми на панелі керування.....	277
Панель керування зарядного пристрою.....	278
Елементи індикації та керування на дисплеї... ..	278

<b>Вибір місяця монтажу.....</b>	<b>280</b>
----------------------------------	------------

<b>Необхідні інструменти.....</b>	<b>281</b>
-----------------------------------	------------

### Монтаж

Монтаж настінного кріплення.....	281
Монтаж без розпірки.....	282
Монтаж із розпіркою.....	283

### Налаштування

Зарядний кабель автомобіля та мережний кабель.....	284
Уведення в експлуатацію та конфігурація.....	289
Перший запуск веб-додатка.....	291
Вхід у систему на зарядному пристрої.....	291
Початок налаштування зарядного пристрою... ..	291
Огляд.....	291

### Використання

Інструкції з експлуатації.....	292
Заряджання.....	293

Вхід у веб-програму.....	295
Використання веб-програми.....	296
Зарядна док-станція.....	303

<b>Несправності під час роботи.....</b>	<b>305</b>
---	------------

<b>Транспортування.....</b>	<b>307</b>
-----------------------------	------------

<b>Очищення й обслуговування.....</b>	<b>308</b>
---------------------------------------	------------

<b>Утилізація.....</b>	<b>309</b>
------------------------	------------

### Технічні дані

Заводська табличка з позначенням моделі....	312
Інформація про виробництво.....	312
Імпортери.....	313

<b>Алфавітний покажчик.....</b>	<b>314</b>
---------------------------------	------------

## До посібника з експлуатації Розшифрування піктограм

Залежно від країни, на зарядному пристрої може бути нанесено різні піктограми.



Використовувати зарядний пристрій за температури від  $-30^{\circ}\text{C}$  до  $+50^{\circ}\text{C}$ .



Максимальна висота, на якій дозволено використовувати зарядний пристрій, складає 5000 м над рівнем моря.



Зарядний пристрій обладнано неподключеним захисним проводом.



Зарядний пристрій обладнано підключеним захисним проводом.



Утилізуйте зарядний пристрій згідно з усіма чинними правилами утилізації.



Не використовуйте подовжувачі та кабельні барабани.



Не використовуйте дорожні адаптери.



Не використовуйте багатоконтактні розетки.



Не використовуйте зарядний пристрій із пошкодженнями електронних компонентів чи з'єднувальних проводів.



Небезпека удару струмом через неналежне використання.



Дотримуйтеся відповідного посібника з експлуатації, зокрема попереджувальних указівок та інструкцій із безпеки.



Поверхня зарядного пристрою може дуже нагріватися.



Не використовуйте зарядний пристрій у незаземлених електромережах (наприклад, IT-мережах). Використовуйте зарядний пристрій лише в електромережах із заземленням.



Використовуйте зарядний пристрій лише в однофазних мережах.



Для зарядного пристрою потрібен блок живлення змінного струму.



Позначає штекер типу 1 з діапазоном напруги  $\leq 250$  В змінного струму.



Позначає штекер типу 2 з діапазоном напруги  $\leq 480$  В змінного струму.

## Політика конфіденційності

Щоб забезпечити можливість зв'язку й актуальний стан зарядного обладнання Porsche, воно для подальшої обробки в зашифрованому вигляді регулярно передаватиме в компанію Porsche таку інформацію про пристрій: ідентифікаційні дані, марку, покоління, тип, версію програмного забезпечення.

Якщо ви з власного бажання хочете використовувати інші сервіси Porsche Connect для зарядного обладнання, вам необхідно зв'язати його зі своїм обліковим записом Porsche ID, який в окремих країнах пропонує торгова компанія Porsche Connect. У зв'язку з використанням сервісів Porsche Connect для надання цих послуг, а також для подальшої обробки в компанію Porsche передаються персональні дані й такі відомості, що стосуються конкретного пристрою, зокрема: ідентифікаційні дані клієнта, статистика, інформація про історію заряджання, статус, стан з'єднання та мітка часу останнього сеансу зв'язку. Докладну інформацію про загальні умови використання та політику конфіденційності можна знайти на веб-сторінці [www.porsche.com/connect-store](http://www.porsche.com/connect-store).

Регулярне передавання даних із зарядного обладнання може збільшити ваші витрати на інтернет-зв'язок. Видалити свої дані, що зберігаються в Porsche, без можливості їх відновлення можна через My Porsche. Через технічні чи юридичні обмеження деякі сервіси Porsche Connect зарядного обладнання Porsche доступні не в усіх країнах.

## Додаткова інформація

Додаткову інформацію про зарядний пристрій і веб-програму можна знайти в розділі "E-Performance" на сайті <https://www.porsche.com>.

## Безпека

### Інструкції з техніки безпеки

#### ⚠ НЕБЕЗПЕКА

Ураження струмом, коротке замикання, опік, вибух, пожежа

Використання пошкодженого чи несправного зарядного пристрою або розетки, неправильне використання зарядного пристрою чи недотримання вказівок із безпеки може призвести до короткого замикання, ураження електричним струмом, вибуху, пожежі або отримання опіків.

- ▶ Використовуйте лише приладдя, схвалене й випущене компанією Porsche, зокрема мережний кабель і кабель для автомобіля.
- ▶ Не використовуйте зарядний пристрій, якщо він пошкоджений або брудний. Перед застосуванням перевіряйте кабель і штекерний роз'єм на відсутність пошкоджень та забруднення.
- ▶ Підключайте зарядний пристрій лише до встановлених кваліфікованим спеціалістом розеток, які не мають пошкоджень, а також до справної електропроводки.
- ▶ Не використовуйте подовжувачі, кабельні барабани, багатоконтактні розетки й дорожні адаптери.
- ▶ Під час грози від'єднуйте зарядний пристрій від електромережі.
- ▶ Не модифікуйте й не ремонтуйте електричні деталі.
- ▶ Усунення несправностей і ремонт зарядного пристрою має здійснювати лише кваліфікований спеціаліст.

#### ⚠ НЕБЕЗПЕКА

Ураження електричним струмом, опік

Використання розеток, які встановлював некваліфікований робітник, може призвести до враження електричним струмом або опіку під час заряджання високовольтного акумулятора через роз'єм для заряджання автомобіля.

- ▶ Перевірку електроживлення, монтаж і введення в експлуатацію розетки для зарядного пристрою має здійснювати тільки професійний електрик. При цьому він несе повну відповідальність за дотримання чинних норм і правил. Компанія Porsche рекомендує використовувати послуги сертифікованого сервісного партнера Porsche.
- ▶ Поперечний переріз проводу підведення струму до розетки слід визначати, ураховуючи довжину кабелю та місцеві правила й норми.
- ▶ Підключайте розетку, що використовується для заряджання, через електроланцюг з окремим запобіжником, який відповідає місцевим законодаположенням і нормам.
- ▶ Зарядний пристрій призначений для використання в приватних і напівгромадських місцях, наприклад на приватних земельних ділянках чи паркувальних майданчиках компаній. У деяких країнах, наприклад Італії та Новій Зеландії, заряджання відповідно до типу 2 в громадських місцях і приміщеннях **заборонено**.
- ▶ Під час заряджання, яке відбувається без нагляду, сторонні особи (наприклад, діти, що граються) або тварини не повинні мати доступу до зарядного пристрою й автомобіля.
  - ▷ Дотримуйтеся вказівок із безпеки, наведених у посібнику зі встановлення та посібнику до автомобіля.

#### ⚠ НЕБЕЗПЕКА

Ураження електричним струмом, опік

Неправильне поводження зі штекерними контактами може призвести до враження струмом або опіку.

- ▶ Не торкайтеся контактів на роз'ємі для заряджання автомобіля та зарядному пристрої.
- ▶ Не вставляйте жодних предметів у роз'єм для заряджання автомобіля чи зарядний пристрій.
- ▶ Захистіть розетки та штекерні роз'єми від вологи, води й інших рідин.

#### ⚠ ПОПЕРЕДЖЕННЯ

Легкозаймисті або вибухонебезпечні пари

Деталі зарядного пристрою можуть викликати іскріння та призводити до загоряння легкозаймистих і вибухонебезпечних парів.

- ▶ Щоб зменшити ризик вибуху, особливо в гаражах, на час заряджання панель керування необхідно розмістити на рівні не нижче ніж 50 см над підлогою.
- ▶ Не використовуйте зарядний пристрій у вибухонебезпечних зонах.

Тільки для Індонезії



Dilarang melakukan perubahan spesifikasi yang dapat menimbulkan gangguan fisik dan/atau elektromagnetik terhadap lingkungan sekitar



Щоб відповідати вимогам до дії електромагнітних полів на людину (Рекомендації Європейської Ради 1999/519/EG) пристрій має перебувати на відстані не менше ніж 20 см від людей.

Щоб забезпечити безперебійний режим заряджання за допомогою зарядного пристрою, слід дотримуватися наведених нижче вказівок і рекомендацій:

- Встановлюючи нову розетку, вибирайте промислову розетку з максимально можливою потужністю (відповідно до електропроводки будинку). Її монтаж і введення в експлуатацію має здійснювати професійний електрик. Компанія Porsche рекомендує використовувати послуги сертифікованого сервісного партнера Porsche.
- Якщо дозволяють технічні умови й законодавчі норми, розрахуйте параметри електричної проводки так, щоб розетка постійно могла використовуватися для заряджання автомобіля з максимальною номінальною потужністю.
- Перед установленням перевірте, чи може наявна будинкова проводка постійно забезпечувати додаткову потужність, необхідну для заряджання автомобіля. Якщо потрібно, обезпечте електропроводку будинку за допомогою системи керування енергоспоживанням.
- Зарядний пристрій бажано використовувати в електромережах із заземленням. Захисний провід має бути встановлено в належний спосіб.
- Якщо вам щось не зрозуміло стосовно електропроводки будинку, звертайтеся до професійного електрика. Компанія Porsche рекомендує використовувати послуги сертифікованого сервісного партнера Porsche.

- Якщо ви збираєтеся використовувати зарядний пристрій разом із фотоелектричною системою, зверніться до партнера Porsche.
- Для оптимальної роботи зарядного пристрою та швидкого заряджання використовуйте розетки NEMA з максимально можливим номінальним струмом або промислові розетки стандарту IEC 60309, які підходять до мережної вилки.
- Під час заряджання високовольтного акумулятора від побутової/промислової розетки навантаження на електропроводку може бути максимальним. Компанія Porsche рекомендує, щоб електричну проводку, яка використовується для заряджання, регулярно перевіряв професійний електрик. Дізнайтеся в нього, через які проміжки часу варто перевіряти вашу електропроводку. Компанія Porsche рекомендує використовувати послуги сертифікованого сервісного партнера Porsche.
- Щоб запобігти перегріванню електропроводки, у заводських налаштуваннях зарядний струм автоматично обмежено. Уведення зарядного пристрою в експлуатацію та налаштування обмеження зарядного струму відповідно до електропроводки будинку має здійснювати професійний електрик.
  - ▷ Ознайомтеся з розділом «Обмеження зарядного струму» на с. 294.

## Використання за призначенням

Зарядний пристрій з інтегрованою системою керування та пристроєм захисного відключення для заряджання автомобілів із високовольтним акумулятором відповідно до режиму 2, які відповідають загальноприйнятим нормам і правилам щодо електромобілів.

- ▶ Використовуйте відповідну модель пристрою залежно від типу місцевої електромережі.
  - ▷ Ознайомтеся з розділом «Технічні дані» на с. 310.

Зарядний пристрій дозволяється використовувати лише разом із мережним кабелем, панеллю керування та кабелем для автомобіля.

Він призначений для використання на відкритому повітрі.

## Комплект постачання



рис. 121: Комплект постачання

- A** Мережний кабель (замінюється на панелі керування)
- B** Мережна вилка для під'єднання до електромережі
- C** Панель керування
- D** Вилка зарядного пристрою автомобіля (штекерний з'єднувач для автомобіля)
- E** Кабель для автомобіля (залежно від країни: замінюється чи з'єднаний стаціонарно з панеллю керування)
- F** Лист із даними доступу

### **i** Інформація

Додаткові компоненти: залежно від країни доступні різні варіанти настінних кріплень для зарядного пристрою, наприклад, базове настінне кріплення чи зарядна док-станція.

## Дані доступу

Разом із пристроєм ви отримаєте лист із даними доступу, який містить усі дані, необхідні для роботи зарядного пристрою та Web Application.

- ▶ Зберігайте лист із даними доступу.

### **i** Інформація

Якщо ви втратили заводські дані доступу, як-от попередньо встановлений PIN-код і початковий пароль, їх можна отримати в партнера Porsche.

- Для цього потрібно надати серійний номер зарядного пристрою.
  - ▶ Ознайомтеся з розділом «Серійний номер зарядного пристрою» на с. 277.

Нижче наведено відомості, які містить лист із даними доступу.

Назва	Значення
Серійний номер	Серійний номер зарядного пристрою
WiFi MAC	MAC-адреса інтерфейсу WLAN
GRID MAC	MAC-адреса інтерфейсу PLC в будинку
Автомобіль MAC	MAC-адреса інтерфейсу PLC в автомобілі
WiFi SSID	<ul style="list-style-type: none"> <li>– Точка доступу Wi-Fi SSID</li> <li>– Ім'я хоста</li> </ul>

Назва	Значення
Wi-Fi PSK	Ключ мережі
Пароль домашнього користувача	Початковий пароль веб-дodatка домашнього користувача.
Пароль Служби підтримки клієнтів	Початковий пароль веб-дodatка Служби підтримки клієнтів.
PIN-код	Особистий ідентифікаційний номер
PUK-код	Особистий код розблокування

### **i** Інформація

**Назва хоста** складається з таких компонентів:

Зарядний пристрій + серійний номер (приклад: MobileChargerConnect-1234567)

### **i** Інформація

У полі безпеки містяться необхідні коди доступу (PIN- і PUK-код). Вони розташовані під шаром спеціальної фарби, якою покрите це поле. Їх можна прочитати, якщо змочити поле під проточною водою, тоді фарба стане прозорою.

При цьому не тріть і не шкребіть поле, інакше коди можуть стертися.

## PIN- і PUK-код

PIN- і PUK-код використовуються для розблокування зарядного пристрою.

- ▶ У разі втрати PIN-коду, який ви призначили, розблокуйте зарядний пристрій, ввівши PUK-код, і призначте новий PIN-код.
- ▶ Якщо ви втратили PUK-код, зверніться до Porsche Partner.

## Пароль веб-додатка

Пароль використовується для входу у Web Application.

Якщо використовується початковий пароль:

- ▶ У разі втрати початкового пароля зверніться до партнера Porsche.

Якщо використовується пароль, призначений самостійно:

- ▶ У разі втрати пароля, який ви призначили самі, відновіть заводські налаштування зарядного пристрою — так ви активуєте початковий пароль (**Налаштування** ⚙️ ▶ **Заводські налаштування**).

## Серійний номер зарядного пристрою

Серійний номер зарядного пристрою вказано:

- у листі даних доступу за позначенням «Серійний номер»
- на заводській табличці з позначенням моделі (на задній стороні панелі керування) після скорочення

- У зарядному пристрої: **Налаштування** ⚙️ ▶ **Технічне обслуговування** ▶ **Інформація про пристрій**
- В Web Application: **Налаштування** ▶ **Обслуговування** ▶ **Інформація**

## Porsche ID

Якщо зарядний пристрій зв'язано з вашим Porsche ID, інформацію щодо нього, а також процесу заряджання можна переглянути в My Porsche та в Porsche Connect App.

Якщо зарядний пристрій більше не використовується, наприклад у разі продажу:

1. Скасуйте зв'язок між Porsche ID та зарядним пристроєм (**Налаштування** ⚙️ ▶ **Профілі користувачів**).
2. Відновіть заводські налаштування зарядного пристрою (**Налаштування** ⚙️ ▶ **Заводські налаштування**).

## Огляд

### Роз'єми на панелі керування



рис. 122: Роз'єми на панелі керування

- A** Мережний кабель
- B** Кабель для автомобіля

Мережний кабель **A** виймається та вставляється з верхнього боку панелі керування.

Кабель для автомобіля **B** виймається та вставляється з нижнього боку панелі керування.

## Панель керування зарядного пристрою

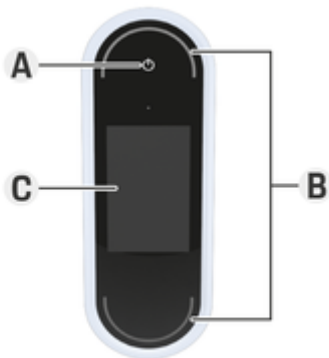


рис. 123: Панель керування

- A** Кнопка живлення
- B** Індикатори статусу
- C** Дисплей

За допомогою кнопки живлення **A** (рис. 123) зарядний пристрій можна вмикати та вимикати.

Індикатори статусу **B** (рис. 123) відображають стан зарядного пристрою.

Дисплей **C** (рис. 123) забезпечує взаємодію із зарядним пристроєм, відображає інформацію та повідомлення про помилки.

## Елементи індикації та керування на дисплеї

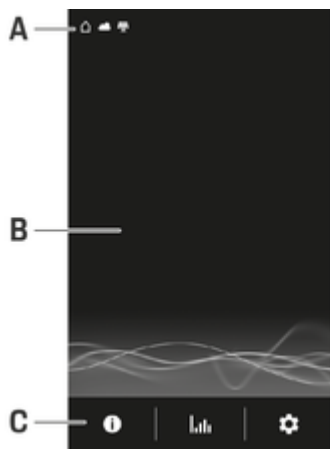







рис. 124: Дисплей зарядного пристрою

- A** Рядок стану
- B** Інформаційна область
- C** Рядок меню

Сенсор яскравості регулює яскравість дисплея. Вона автоматично змінюється залежно від умов навколишнього освітлення.

### Рядок стану

У рядку стану можуть відобразитися різні значки. У таблиці нижче пояснюється значення значків у рядку стану.

Символ	Значення
	Установлено з'єднання WLAN
	Установлено з'єднання із сервером
	Завантажується оновлення програмного забезпечення
	Установлено з'єднання з мережею PLC
	Налаштовано точку доступу
	В автомобілі ввімкнено профіль заряджання, відповідно до налаштувань якого він заряджатиметься
	Підключено фотоелектричну систему

### Рядок стану

У рядку стану можуть відобразитися різні значки. У таблиці нижче пояснюється значення значків у рядку стану.





Символ	Значення
	Установлено з'єднання WLAN
	Установлено з'єднання із сервером
	Завантажується оновлення програмного забезпечення
	Установлено з'єднання з мережею PLC
	Налаштовано точку доступу
	Вимкнено контроль заземлення (Канада, Мексика)
	На зарядному пристрої встановлено з'єднання із системою керування енергоспоживанням
	В автомобілі ввімкнено профіль заряджання, відповідно до налаштувань якого він заряджатиметься
	Підключено фотоелектричну систему

### Інформація

Залежно від важливості певні символи перекриваються іншими, тому їх не видно (прикладом символів із пріоритетом, що зростає, є індикація мережі PLC < підключення WLAN < системи керування енергоспоживанням).

### Рядок меню

У рядку меню можуть відображатися різні значки. У таблиці нижче пояснюються значки в рядку меню.

Символ	Значення
	Перегляд інформації щодо поточного заряджання
	Перегляд історії заряджання
	Установлення налаштувань
	Доступне оновлення програмного забезпечення.

### Можливості керування

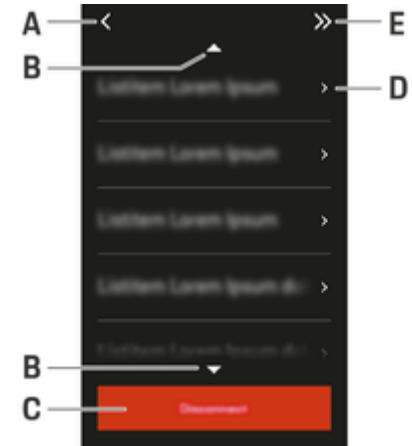


рис. 125: Можливості керування

- A** Назад
- B** Угору/униз
- C** Дія
- D** Подробиці
- E** Пропустити

### Вибір місяця монтажу



#### НЕБЕЗПЕКА

Ураження електричним струмом, опік

Неналежне використання зарядного пристрою або недотримання інструкцій із безпеки може призвести до короткого замикання, ураження електричним струмом, вибуху, пожежі або отримання опіків.

- ▶ Не встановлюйте базове настінне кріплення або зарядну док-станцію у вибухонебезпечних зонах.
- ▶ Перед монтажем настінного кріплення чи зарядної док-станції перевірте, що в місці просвердлювання кріпильних отворів немає електропроводів.
- ▶ Щоб зменшити ризик вибуху, особливо в гаражах, на час заряджання панель керування необхідно розмістити на рівні не нижче ніж 50 см над підлогою.
- ▶ Дотримуйтеся місцевих правил електромонтажу, заходів протипожежної безпеки, правил попередження нещасних випадків, а також вимог до шляхів евакуації.

Базове настінне кріплення та зарядна док-станція призначені для внутрішнього й зовнішнього монтажу. Під час вибору правильного місця встановлення слід урахувати наведені нижче критерії.

- Якщо можливо, установлюйте розетку або провід підведення струму, базове настінне кріплення чи зарядну док-станцію в критому місці, захищеному від прямих сонячних променів і опадів (наприклад, у гаражі).
- Відстань від розетки до підлоги та стелі слід вибрати з урахуванням державних норм і правил так, щоб нею було зручно користуватися.
- Не встановлюйте базове настінне кріплення чи зарядну док-станцію під підвішеними предметами.
- Не монтуйте базове настінне кріплення чи зарядну док-станцію в конюшнях, тваринницьких приміщеннях і місцях, де присутні гази аміаку.
- Установлюйте базове настінне кріплення або зарядну док-станцію на рівній поверхні.
- Щоб надійно їх закріпити, перед монтажем потрібно перевірити стан стіни.
- Установлюйте базове настінне кріплення або зарядну док-станцію якомога ближче до бажаного місця паркування автомобіля. При цьому слід урахувати напрямок розміщення автомобіля.
- Установлюйте базове настінне кріплення або зарядну док-станцію так, щоб вони не перебували в зоні проходу, а мережний кабель не перетинав її.
- Монтуйте базове настінне кріплення або зарядну док-станцію так, щоб відстань від мережної вилки до розетки не перевищувала довжину мережного кабелю.

## Необхідні інструменти

- Рівень
- Дриль або перфоратор
- Викрутка

## Монтаж

## Монтаж настінного кріплення

## Монтаж базового настінного кріплення

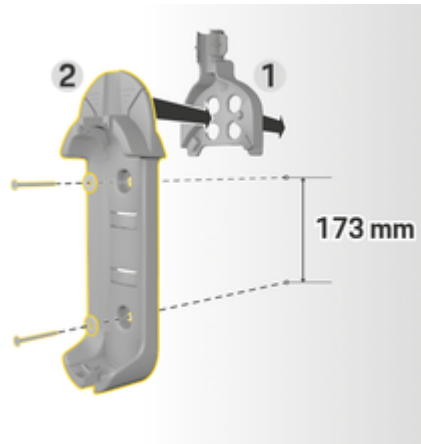


рис. 126: Розміри отворів

1. Позначте місця отворів на стіні.
2. Просвердліть отвори для кріплення та вставте дюбелі.
3. Вставте базове настінне кріплення 2 (рис. 126) спереду в кабельний канал 1 (рис. 126) і притисніть.
4. Прикрутіть базове настінне кріплення до стіни.

## Монтаж тримача вилки

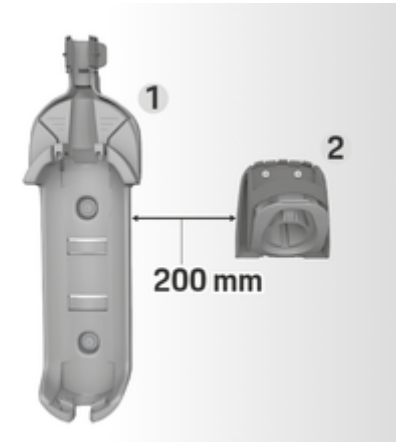


рис. 127: Відстань від настінного кріплення до тримача вилки

Тримач вилки слід установлювати на відстані 200 мм від базового настінного кріплення.

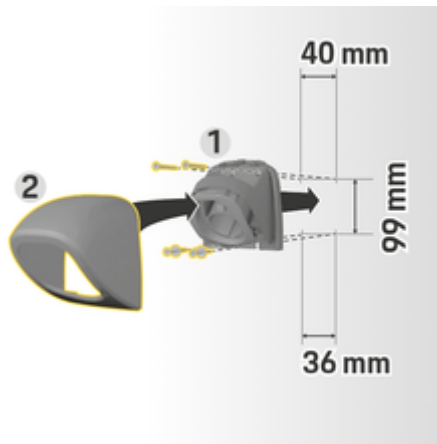


рис. 128: Розміри отворів

1. Вийміть тримач вилки **1** (рис. 128) із кришки **2** (рис. 128).
2. Позначте місця отворів на стіні.
3. Просвердліть отвори для кріплення та вставте дюбелі.
4. Прикрутіть тримач вилки **1** (рис. 128) до стіни.
5. Надіньте кришку **2** (рис. 128) знизу на тримач вилки **1** (рис. 128) і притисніть догори.

### Вставлення панелі керування в настінне кріплення



рис. 129: Вставлення панелі керування

1. Просуньте кабель для автомобіля через нижній отвір базового настінного кріплення, установіть панель керування на фіксатор унизу й замкніть, посунувши її назад.
2. Просуньте мережний кабель через верхній отвір базового настінного кріплення й зафіксуйте стопорне кільце, повернувши його ліворуч.
3. Вставте вилку зарядного пристрою автомобіля в тримач вилки.

### Монтаж без розпірки

905-105

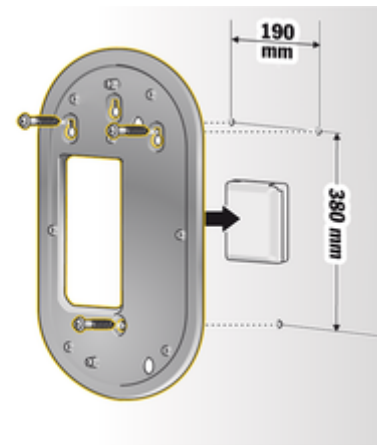


рис. 130: Розміри отворів

1. Позначити місця отворів на стіні.
2. Просвердлити отвори для кріплення та вставити дюбелі.
3. Прикрутити монтажну пластину до стіни.



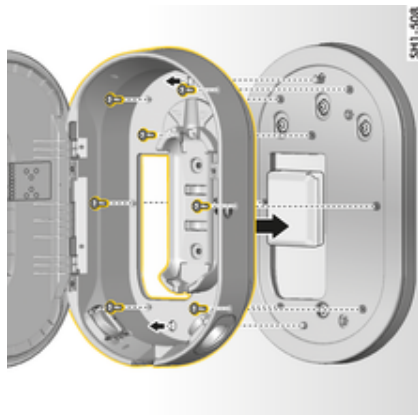


рис. 131: Прикрочування зарядної док-станції до монтажної пластини

4. Прикрутити зарядну док-станцію до монтажної пластини.

### Монтаж із розпiркою

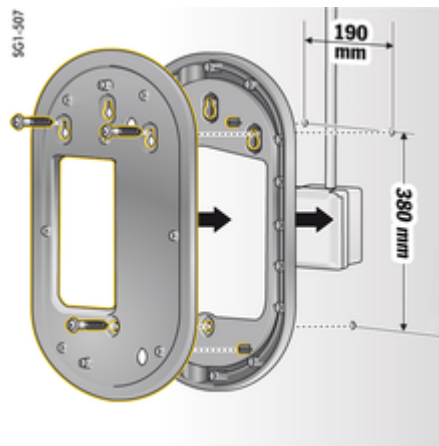


рис. 132: Розміри отворів

1. Позначити місця отворів на стiнi.
2. Просвердлити отвори для крiплення та вставити дюбелi.
3. Прикрутити монтажну пластину разом з розпiркою до стiни.

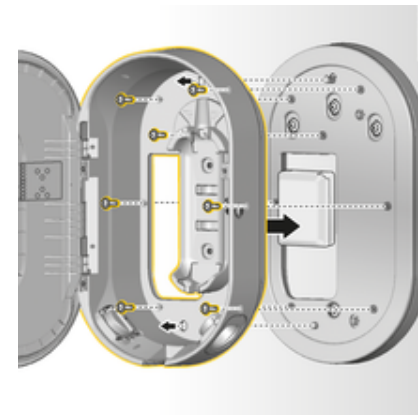


рис. 133: Прикрочування зарядної док-станції до монтажної пластини

4. Прикрутити зарядну док-станцію до монтажної пластини.

## Налаштування

### Зарядний кабель автомобіля та мережний кабель

#### Інформація про кабелі та вилки для заряджання автомобіля

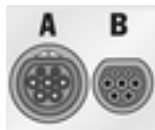
У комплектаціях для певних країн пропонуються різні роз'єми для заряджання автомобіля **A** та вилки **B** зарядного пристрою автомобіля.



IEC 62196-2/  
SAE-J1772-2009  
Тип 1 UL/IEC



IEC 62196-2/  
SAE-J1772-2009  
Тип 1



IEC 62196-2  
Тип 2



GB/T 20234.2  
Тип GB

### Вибір мережного кабелю

Для нормального заряджання з оптимальною швидкістю використовуйте лише мережні кабелі наведених нижче типів. Максимально можлива потужність заряджання становить до 22 кВт (залежить від моделі пристрою, електромережі / будинкового підключення електромережі та бортового зарядного пристрою). Виїжджаючи за кордон, завжди беріть із собою мережний кабель, придатний для використання у відповідній країні.

#### ПРИМІТКА

У деяких країнах дозволено використовувати лише певні типи мережних кабелів. У таблицях нижче вказано, які типи мережних кабелів допускаються для використання в окремих країнах.

Країна	Мережний кабель
Росія, Україна	5, 6, 7, 8, C
Абу-Дабі, Ізраїль, Сінгапур	5, 6, 7, 8

Схвалення мережних кабелів в окремих країнах (приклади)

Довжина кабелю для автомобіля може становити 2,5 або 7,5 м залежно від умов. У деяких країнах загальна довжина мережного кабелю, панелі керування та кабелю для автомобіля чітко обмежується. Наприклад, у Швейцарії вона має становити 5 метрів, в Ізраїлі та США — 7,5 метра<sup>1)</sup>.

1. Стан на момент друку. Інформацію можна отримати в партнера Porsche або в місцевій електропостачальній компанії.

### Мережні кабелі для промислових розеток



1  
NEMA 14-30



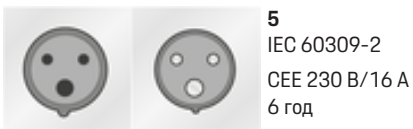
2  
NEMA 14-50



3  
NEMA 6-30



4  
NEMA 6-50



5  
IEC 60309-2  
CEE 230 В/16 А  
6 год



6  
IEC 60309-2  
CEE 230 В/32 А  
6 год



7  
IEC 60309-2  
CEE 400 В/16 А  
6 год



8  
IEC 60309-2  
CEE 400 В/32 А  
6 год



9  
WCZ8 20 А

### Мережні кабелі для побутових розеток

За відсутності промислової розетки можна використовувати мережні кабелі наведених нижче типів зі зниженою потужністю заряджання.

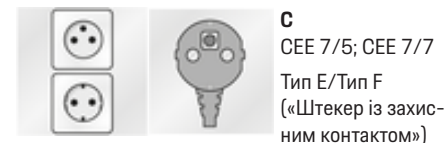
- ▶ У деяких країнах, наприклад, Абу-Дабі, Ізраїлі, Сінгапурі й Індії<sup>1</sup>, заряджання від побутових розеток **заборонено**.



A  
NEMA 5-15  
Тип B



B  
WCZ8 15 А



C  
CEE 7/5; CEE 7/7  
Тип E/Тип F  
(«Штекер із захисним контактом»)



D  
BS 1363  
Тип G

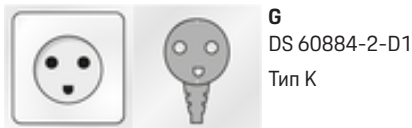
1. Стан на момент друку. Інформацію можна отримати в партнера Porsche або в місцевій електропостачальній компанії.



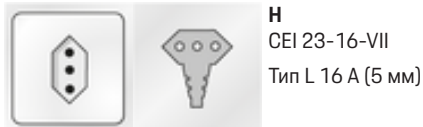
**E**  
AS 3112  
Тип I



**F**  
SEV 1011  
Тип J



**G**  
DS 60884-2-D1  
Тип K



**H**  
CEI 23-16-VII  
Тип L 16 A (5 мм)



**I**  
IA6A3 (BS 546)  
Тип M

## NEMA 6-50 / NEMA 14-50 (додаткова інформація)

### Інформація

Сфера

Ця рекомендація щодо використання стосується лише регіонів зі стандартом NEMA 6-50 / NEMA 14-50.

Заряджання вашого автомобіля може генерувати високі електричні струми. З міркувань безпеки обов'язково використовуйте тільки затвержені компоненти та професійне встановлення всього зарядного пристрою.

### Загальні вказівки з безпеки

**НЕБЕЗПЕКА** Ураження електричним струмом і пожежа!

Неправильне використання зарядного пристрою та нехтування вказівками зі встановлення та техніки безпеки може призвести до короткого замикання, ураження електричним струмом, вибуху, пожежі або отримання опіків.

- ▶ Дотримуйтеся інструкцій зі встановлення, наведених у посібнику з експлуатації зарядного пристрою.
- ▶ Зверніть особливу увагу на всі зазначені в ньому вказівки з безпеки та попередження.
- ▶ Установлювати обладнання має фахівець із відповідною електротехнічною освітою, який володіє необхідними знаннями.
- ▶ Крім того, дотримуйтеся національних постанов щодо електромонтажу.

### Вимоги до мережної розетки

**НЕБЕЗПЕКА** Невідповідні мережні розетки

Використання невідповідної мережної розетки може привести до короткого замикання, ураження електричним струмом, вибуху, пожежі або отримання опіків.

- ▶ Використовуйте лише такий тип мережних розеток, що підходить для даного встановлення (див. **Придатні типи мережних розеток/штекерів**).
- ▶ Використовуйте тільки такі мережні розетки, які відповідають вимогам до якості контактних поверхонь і клемового кріплення (див. **Вимоги до якості мережних розеток**).
- ▶ Уникайте прямого контакту між затискними гвинтами та проводом. Натомість можна використовувати кабельні зажими.
- ▶ Не притискайте кабель до ізоляції.

### Відповідні типи мережних розеток/мережних вилок

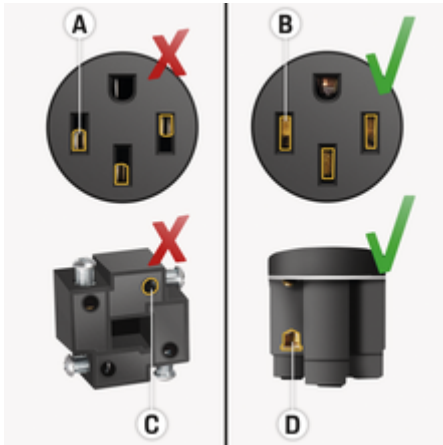


NEMA 6-50  
Розетка/вилка



NEMA 14-50  
Розетка/вилка

## Вимоги до якості мережних розеток



- A** Контактна поверхня лише на половину висоти контакту штекера
- B** Контактна поверхня по всій висоті контакту штекера
- C** Невелика контактна поверхня між затискним гвинтом і дротом.
- D** Широка контактна поверхня між затискною пластиною та дротом

## Вимоги до монтажу ліній

**⚠ НЕБЕЗПЕКА** Невідповідний мережний кабель

Використання невідповідних мережних кабелів або надмірного електричного струму може призвести до короткого замикання, ураження електричним струмом, вибуху, пожежі або отримання опіків.

- ▶ Провід має бути оснащено запобіжником на 50 ампер.
- ▶ Використовуйте тільки мідні кабелі з поперечним перерізом проводу підведення струму не менше ніж 8AWG (краще — 6AWG).

## Вимоги до зовнішнього монтажу

**⚠ НЕБЕЗПЕКА** Пряме потрапляння дощу

Якщо зарядний пристрій використовується на відкритому повітрі, пряме потрапляння дощу може призвести до короткого замикання, ураження електричним струмом, вибуху, пожежі або отримання опіків.

- ▶ Уникайте прямого потрапляння дощу на зарядний пристрій.
- ▶ Використовуйте корпус із захистом від дощу NEMA 3R.

## Заміна мережного кабелю та кабелю для автомобіля

**⚠ НЕБЕЗПЕКА** Ураження електричним струмом

Небезпека тяжкого або смертельного ураження електричним струмом.

- ▶ Перш ніж замінити мережний кабель, витягніть його з розетки та вийміть кабель для автомобіля з роз'єму для заряджання.
- ▶ Кабель слід замінювати лише в сухому місці.
- ▶ Використовуйте лише кабелі, схвалені компанією Porsche.

▶ Ознайомтеся з розділом «Комплект постачання» на с. 276.

У деяких країнах, наприклад Норвегії, Італії, Португалії й Іспанії<sup>1</sup>, замінювати мережний кабель дозволяється лише професійному електрику. Компанія Porsche рекомендує використовувати послуги сертифікованого сервісного партнера Porsche.

1. Стан на момент друку. Інформацію можна отримати в партнера Porsche або в місцевій електропостачальній компанії.

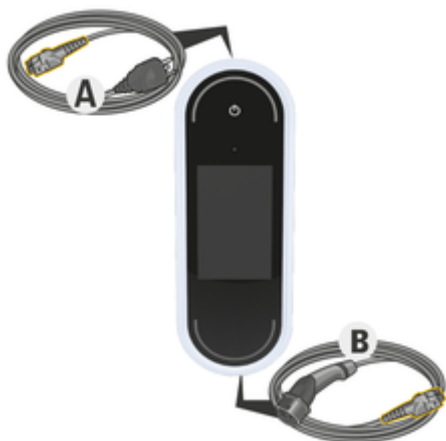


рис. 134: Роз'єми на панелі керування

Мережний кабель **A** виймається та вставляється з верхнього боку панелі керування.

Кабель для автомобіля **B** виймається та вставляється з нижнього боку панелі керування.

## Виймання кабелю

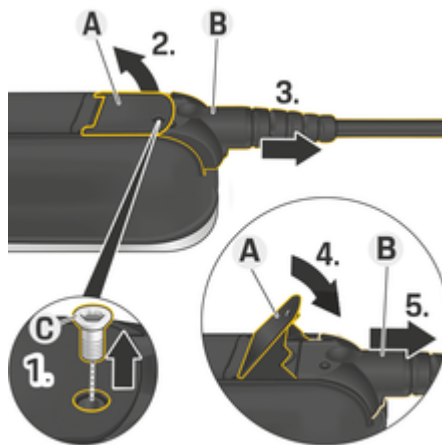


рис. 135: Виймання кабелю

- ✓ Заряджання високовольтної батареї припинено, вилку зарядного пристрою автомобіля вийнято з роз'єму для заряджання автомобіля.
  - ✓ Мережну вилку вийнято з розетки.
1. Відкрутіть гвинт **C** (рис. 135) за допомогою відповідного інструмента.
  2. Підніміть кришку **A** (рис. 135).
  3. Витягніть штекер **B** (рис. 135) до першого упору.
  4. Закрийте кришку **A** (рис. 135).
  5. Повністю витягніть штекер **B** (рис. 135).

## Закріплення кабелю

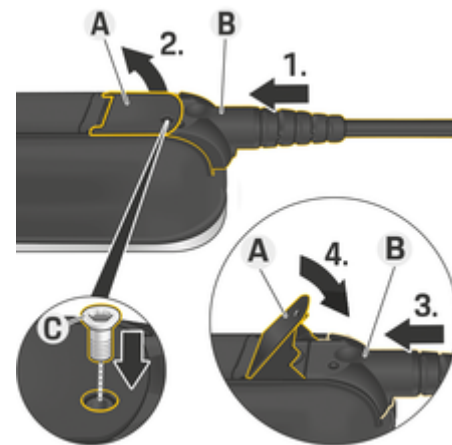


рис. 136: Закріплення кабелю та фіксація штекера


- ✓ Кришка **A** (рис. 136) закрита.
1. Вставте штекер **B** (рис. 136) до першого упору в панель керування.
  2. Підніміть кришку **A** (рис. 136).
  3. Повністю вставте штекер **B** (рис. 136).
  4. Закрийте кришку **A** (рис. 136).
  5. Прикрутіть штекер **B** (рис. 136) за допомогою гвинта **C** (рис. 136) до панелі керування.

## Уведення в експлуатацію та конфігурація

### Перший запуск

Під час першого використання зарядного пристрою здійснити указані нижче налаштування.

#### Інформація

- За допомогою кнопки **Пропустити** можна пропускати вибрані пункти. У такому разі налаштування не здійснюються.
- Налаштування можна будь-коли змінити на дисплеї .

### Мова і країна

1. Виберіть мову зі списку. Підтвердьте вибір.
2. Виберіть країну зі списку.
3. Підтвердьте вибір мови і країни.

### Передавання даних

- ▶ Прочитайте та підтвердьте інформацію щодо передавання даних.

### Оновлення програмного забезпечення

Для забезпечення повної функціональності та надійної роботи зарядного пристрою необхідно завжди використовувати найновіше програмне забезпечення.

- ▶ Виберіть і підтвердьте налаштування автоматичного оновлення для програмного забезпечення.

**Увімкнено:** зарядний пристрій перевіряє доступність оновлення програмного забезпечення й автоматичного його завантажує.

Після цього можна одразу перейти до встановлення або відкласти це на пізніше.

**Вимкнено:** зарядний пристрій перевіряє доступність оновлення програмного забезпечення та повідомляє про результат. Тоді програмне забезпечення можна завантажити вручну.

Після завантаження можна одразу перейти до встановлення або відкласти це на пізніше.

Якщо немає інтернет-з'єднання із зарядним пристроєм, оновлення програмного забезпечення можна завантажити вручну на сайті <https://www.porsche.com> у розділі **E-Performance** і встановити за допомогою веб-програми.

### Вибір мережі

Виберіть налаштування підключення до домашньої мережі. Цей пункт можна пропустити за допомогою кнопки **Пропустити**. Тоді підключення до домашньої мережі не встановиться. Якщо зарядний пристрій підключено до наявної домашньої мережі, доступні додаткові функції та інформація. Підключення може встановлюватися через WLAN або мережу Powerline Communication (PLC). Якщо домашня мережа не доступна, на зарядному пристрої можна налаштувати точку доступу.

#### Інформація

Загальнодоступні мережі WLAN, не захищені паролем, не підтримуються, і їх не можна використовувати.

### Підключення через WLAN


1. Виберіть налаштування **Wi-Fi**.
2. Виберіть домашню мережу зі списку розпізнаних мереж WLAN.
3. Введіть і підтвердьте пароль.

### Підключення через кнопку з'єднання PLC

1. Виберіть налаштування **Кнопка з'єднання PLC**.
2. Запустіть установаження з'єднання на модемі PLC. Підтвердьте з'єднання на зарядному пристрої, натиснувши **OK**.

Після встановлення з'єднання підтвердьте підключення за допомогою кнопки **Підключитися**.


➔ З'єднання з мережею PLC встановлено.

У разі з'єднання з мережею PLC в рядку стану відображається значок .

### Підключення через ключ захисту PLC

Щоб скористатися цим способом, потрібен кінцевий пристрій із програмним забезпеченням для керування мережею PLC.

1. Щоб встановити з'єднання з мережею PLC за допомогою ключа захисту, виберіть **Ключ захисту PLC**.
  - ➔ Ключ захисту відобразатиметься на дисплеї.
2. Введіть ключ захисту у відповідному меню програмного забезпечення для керування мережею PLC, щоб підключити до неї зарядний пристрій.
  - ➔ З'єднання з мережею PLC встановлено.

У разі з'єднання з мережею PLC в рядку стану відображається значок .

### Інформація

Характеристики PLC:

- Окремі інтерфейси для кабелів автомобіля та інфраструктури
- PLC відповідно до IEEE P1901
- Стандарт HomePlug AV
- Шифрування: 128-бітний код в AES
- Діапазон частот: 2–30 МГц

### Профілі користувачів (зв'язування з Porsche ID)

Якщо зарядний пристрій зв'язано з вашим Porsche ID, інформацію щодо нього, а також процесу заряджання можна переглянути на порталі My Porsche та в додатку Porsche Connect.

#### Щоб зв'язати зарядний пристрій із Porsche ID:

- ▶ відкрийте в браузері свого кінцевого пристрою інтернет-сторінку, указану на дисплеї зарядного пристрою, і введіть код користувача;  
— або —  
відскануйте QR-код, який відображається на дисплеї зарядного пристрою. QR-код можна відсканувати кількома способами:
  - за допомогою додатка Porsche Connect (Мій обліковий запис > Зарядний кабель і пристрої > Сканування QR-коду);
  - за допомогою камери вашого кінцевого пристрою (з iOS 11 і новішої версії; Android не підтримується);
  - за допомогою додатка для сканування QR-кодів.


Після успішного зв'язування асистент із налаштування переходить до наступного кроку.

### Підключення системи керування енергоспоживанням

Якщо наявна система керування енергоспоживанням, її можна з'єднати із зарядним пристроєм. Тоді вона керуватиме процесом заряджання.

- ▶ Інструкції щодо підключення системи керування енергоспоживанням див. в посібнику з її експлуатації.


За відсутності системи керування енергоспоживанням автомобіль заряджається із силою струму, зазначеною в зарядному пристрої:

- ▶ **Налаштування**  ▶ **Коригув. заряд. струму**
- ▶ Ознайомтеся з розділом «Коригування зарядного струму» на с. 290.

### Точка доступу

Якщо підключити зарядний пристрій до домашньої мережі неможливо, на ньому можна налаштувати точку доступу, щоб установити з'єднання з веб-програмою зарядного пристрою.

- ▶ Щоб налаштувати точку доступу, натисніть **Увімкнення точки доступу**.

Після успішного встановлення точки доступу в рядку стану відображається значок .

### Інформація

Якщо використовуються системи Android, для налаштування точки доступу може знадобитись окремо підтвердити встановлення з'єднання.

### Коригування зарядного струму

Тут можна встановити максимальну силу зарядного струму, яку допускати зарядний пристрій, якщо в домашній мережі відсутня система керування енергоспоживанням.

Відображуване максимальне значення залежить від типу підключеного кабелю.

- ▶ Установіть максимальне значення зарядного струму, доступне в електромережі, до якої підключено зарядний пристрій. Для цього використовуйте **плюс і мінус**.
- ▶ Ознайомтеся з розділом «Обмеження зарядного струму» на с. 294.

### Захист пристрою

Щоб запобігти підключенню стороннього автомобіля до зарядного пристрою, можна налаштувати запит PIN-коду.

1. Щоб увімкнути запит PIN-коду, виберіть **Увімкнено**.
2. Введіть і підтвердьте 4-значний PIN-код.
3. Ще раз введіть і підтвердьте PIN-код.
  - ➔ Увімкнення запиту PIN-коду підтверджено.

### Завершення налаштування

- ▶ Перевірте вибрані параметри в розділі **Огляд** й завершіть налаштування.



## Перший запуск веб-додатка

Щоб мати змогу щодня використовувати зарядний пристрій і Web Application, спершу потрібно налаштувати зарядний пристрій. Потім необхідно встановити з'єднання між кінцевим пристроєм (ПК, планшет або смартфон) та зарядним пристроєм.

### Вимоги щодо першого запуску у веб-додатку

Для першого запуску Web Application необхідно надати таку інформацію:

- Лист даних доступу від Porsche Mobile Charger Connect для реєстрації на Web Application зарядного пристрою
- Дані доступу до вашої домашньої мережі
- Дані доступу до профілю користувача (для зв'язування з Porsche ID).

Веб-додаток підтримує використання таких браузерів:

- Google Chrome версії 57 або новішої (рекомендовано);
- Mozilla Firefox версії 52 або новішої (рекомендовано);
- Microsoft Internet Explorer версії 11 або новішої;
- Microsoft Edge;
- Apple Safari версії 10 або новішої.

## Вхід у систему на зарядному пристрої

### Інформація

Дані для входу в систему на зарядному пристрої містяться в листі з даними доступу, що додається. У полі безпеки містяться коди доступу (PIN- і PUK-код). Вони розташовані під шаром спеціальної фарби, якою покрите це поле.

Їх можна прочитати, якщо змочити поле під проточною водою, тоді фарба стане прозорою.

При цьому не тріть і не шкребіть поле, інакше коди можуть стертися.

- ✓ Зарядний пристрій увімкнено.
- ✓ Лист із даними доступу приготовано.

1. Знайдіть PIN-код у листі. Намочіть поле безпеки, щоб PIN-код став видимим.
2. Введіть PIN-код.

## Початок налаштування зарядного пристрою

За допомогою майстра налаштувань користувач налаштовує зарядний пристрій у кілька етапів. Щоб мати змогу належним чином використовувати зарядний пристрій, потрібно завершити налаштування.

► Докладні відомості про налаштування зарядного пристрою наведено в посібнику з використання Porsche Mobile Charger Connect.

### Огляд

Веб-програма пропонує більше варіантів настройки, ніж сам пристрій.

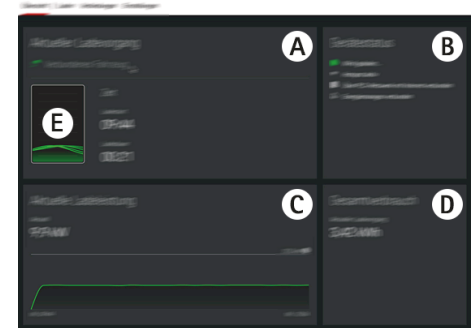


рис. 137: Огляд у веб-програмі

### А Поточний процес заряджання

У цій області відображається інформація про поточне заряджання, наприклад час початку та тривалість процесу.

### В Статус пристрою

Відображає інформацію про пристрій, зокрема:

- поточний стан заряджання;
- активне підключення до мережі;
- стан з'єднання із системою керування енергоспоживанням (за наявності);
- доступність оновлень програмного забезпечення;
- вимкнення контролю заземлення.

### С Поточна потужність заряджання

Поточна подача електричної потужності [в кіловатах] від зарядного пристрою до споживача. Крива: візуалізує зміну потужності в ході заряджання від його початку, а також загальну витрату електроенергії [у кіловатах]. Виберіть на кривій час, щоб переглянути зарядну потужність у відповідний момент.

### D Витрата

Загальна витрата енергії під час поточного процесу заряджання [у кіловат-годинах].

### E Стан заряджання

Стан заряджання маркується кольором.

- Червоний: повідомлення про помилку
- Синій: заряджання зупинено
- Зелений: автомобіль заряджається
- Білий: автомобіль не підключено до зарядного пристрою

## Використання Інструкції з експлуатації

В окремих країнах підключення зарядних пристроїв для електромобілів підлягає реєстрації.

- ▶ Перевірте обов'язковість реєстрації та нормативно-правову базу щодо використання пристрою, перш ніж його підключити.

### ПРИМІТКА

Пошкодження зарядного пристрою

- ▶ Під час заряджання завжди розміщуйте зарядний пристрій на твердій поверхні.
- ▶ Компанія Porsche рекомендує використовувати зарядний пристрій у базовому настінному кріпленні чи зарядній док-станції. У деяких країнах, наприклад Швейцарії<sup>1</sup>, зарядний пристрій дозволяється використовувати лише в базовому настінному кріпленні чи зарядній док-станції.
- ▶ Не занурюйте зарядний пристрій у воду.
- ▶ Бережіть зарядний пристрій від снігу та льоду.
- ▶ Будьте обачні, коли використовуєте зарядний пристрій. Його не можна переїжджати, кидати, розтягувати, згинати чи здавлювати.
- ▶ Не відкривайте корпус зарядного пристрою.

### ПРИМІТКА

Пошкодження зарядного пристрою

Зарядний пристрій дозволяється використовувати лише за температури від  $-30^{\circ}\text{C}$  до  $+50^{\circ}\text{C}$ .

- ▶ Щоб уникнути перегрівання зарядного пристрою під час роботи, не допускайте тривалої дії на нього прямого сонячного проміння. Якщо зарядний пристрій перегрівається, процес заряджання автоматично припиняється, доки температура знову не опуститься до нормального рівня.
- ▶ У разі перегрівання чи переохолодження зарядного пристрою відновлення нормальної робочої температури має відбуватися поступово. Його не можна охолоджувати або нагрівати (наприклад, холодною водою чи феном).

1. Стан на момент друку. Інформацію можна отримати в партнера Porsche.

## Заряджання

### Указівки щодо заряджання

#### Роз'єм для заряджання автомобіля

Щоб отримати інформацію про те, як вставити кабель для автомобіля в роз'єм для заряджання й вийняти з нього, а також про стан заряджання та з'єднання на роз'ємі для заряджання автомобіля, виконайте наведені нижче дії.

▷ Ознайомтеся з посібником до автомобіля.



**НЕБЕЗПЕКА**

Ураження електричним струмом, опік

Небезпека тяжкого або смертельного травмування внаслідок опіку чи ураження електричним струмом.

- ▶ Завжди дотримуйтеся вказаної послідовності дій під час процесу заряджання.
- ▶ Під час заряджання не виймайте кабель для автомобіля з роз'єму для заряджання.
- ▶ Перш ніж виймати кабель для автомобіля з роз'єму, припиніть заряджання.
- ▶ Під час заряджання не виймайте зарядний пристрій із розетки.

Помилки відображаються на дисплеї, а також указуються за допомогою червоних індикаторів статусу. На екран виводиться повідомлення про помилку, її причину та спосіб усунення.

- ▶ Ознайомтеся з розділом «Несправності під час роботи» на с. 305.

### Тривалість заряджання

Тривалість заряджання може змінюватися залежно від зазначених далі факторів.

- Тип розетки (побутова або промислова).
- Місцева напруга в електромережі та сила струму.
- Налаштування обмеження зарядного струму на зарядному пристрої.
- Коливання напруги в електромережі.
- Температура навколишнього середовища, де перебувають автомобіль і зарядний пристрій. За гранично допустимої температури навколишнього середовища тривалість заряджання може збільшуватися.
- ▷ Ознайомтеся з розділом «Вимкнення й увімкнення контролю заземлення» на с. 295.
- Температура високовольтного акумулятора й панелі керування.
- Увімкнено функцію попереднього кондиціонування салону.
- Гранично допустима сила струму мережної вилки й вилки зарядного пристрою автомобіля.

#### Інформація

Через відмінності електромереж в інших країнах пропонуються різні варіанти кабелів. У зв'язку з цим потужність заряджання може бути неповною. Інформацію можна отримати в партнера Porsche.

## Запуск, призупинення та завершення заряджання

### Запуск заряджання

1. Вставте мережну вилку в розетку.

Кнопка живлення світиться білим.

Індикатори статусу світяться білим.

➔ Дисплей умикається.

2. Вставте вилку зарядного пристрою в роз'єм для заряджання автомобіля.

Кнопка живлення світиться білим.

Індикатори статусу блимають білим.

Щоб отримати інформацію про підключення кабелю для автомобіля до роз'єму для заряджання, виконайте наведені нижче дії.

▷ Ознайомтеся з посібником до автомобіля.

➔ Після успішного автотестування та встановлення з'єднання індикатори статусу світлитимуться білим.

3. Заряджання почнеться автоматично.

Кнопка живлення світиться білим.

Індикатори статусу блимають зеленим.

4. Через кілька хвилин зарядний пристрій переходить у режим очікування.

➔ Автомобіль заряджається.



#### Інформація

- Заряджання регулює автомобіль. Процес заряджання можна припинити лише з автомобіля.
- Статус заряджання відображається на дисплеї, якщо зарядний пристрій не перебуває в режимі очікування. Дисплей можна знову увімкнути, натиснувши кнопку живлення
- Вимкнення за надмірної температури запобігає перегріванню під час заряджання.

### Зупинення заряджання



Автомобіль регулює заряджання, тому воно може призупинятися, зокрема для оптимізації енергоспоживання.

Зупинка заряджання відображається на панелі керування.

-  Кнопка живлення світиться білим.
-  Індикатори стану блимають синім.
- Дисплей умикається.

Автомобіль продовжує заряджатись автоматично. Процес заряджання можна припинити з автомобіля.

### Завершення заряджання

- ✓ Процес заряджання успішно завершено.
-  Кнопка живлення світиться білим.
-  Індикатори статусу світяться зеленим.
- Дисплей умикається та відображає інформацію про закінчення заряджання. Через кілька хвилин зарядний пристрій переходить у режим очікування.
- ▶ Вийміть вилку зарядного пристрою з роз'єму для заряджання автомобіля.

### Обмеження зарядного струму

Панель керування автоматично визначає напругу та доступний струм. За допомогою функції обмеження зарядного струму можна налаштувати необхідну потужність заряджання. Зберігається останнє налаштування зарядного струму. Щоб електропроводка не перегрівалася, у заводських налаштуваннях встановлено обмеження струму 50 % для заряджання від побутових розеток.

Якщо до зарядного пристрою підключено систему керування енергоспоживанням, зарядний струм обмежується відповідно до налаштувань, установлених у системі. Максимально доступний зарядний струм може зменшуватися через наявність у домашній мережі інших енергоспоживачів, наприклад системи електроопалення чи водонагрівача. Зарядна потужність, яка встановлюється, у жодному разі не має перевищувати максимальну доступну потужність в електроланцюзі, що використовується. У разі сумнівів зверніться до професійного електрика.

### Plug & Charge

Функція Plug & Charge дає змогу заряджати автомобіль у приватних і громадських місцях за допомогою відповідної зарядної інфраструктури, не запускаючи перед цим процес заряджання на колонці для зарядки чи зарядному пристрої вручну. Процес заряджання припиняється автоматично на підставі договору з постачальником електроенергії для заряджання.

- ✓ Автомобіль розблоковано для використання інтелектуальних функцій заряджання.
- ✓ Зарядна інфраструктура придатна для використання функції Plug & Charge.
- ✓ У договорі з постачальником електроенергії для заряджання передбачено використання функції Plug & Charge.

### Private Plug & Charge


Якщо в Mobile Charger Connect активовано захист пристрою, процес заряджання можна розпочати лише введенням PIN-коду ▶ Ознайомтеся з розділом «Захист пристрою» на с. 290. Це служить для захисту від несанкціонованого доступу.

### Список транспортних засобів (реєстрація транспортних засобів)

Після введення PIN-коду вас запитують, чи необхідно включити автомобіль до списку транспортних засобів Mobile Charger Connect. За погодженням одноразове сполучення автомобіля з Mobile Charger Connect розпізнається відразу після підключення зарядного кабелю, і вмикається процес заряджання. Тому більше не потрібно вводити PIN-код для всіх подальших процесів заряджання на цьому автомобілі.

### Викликати список транспортних засобів

Можна зареєструвати кілька автомобілів в Mobile Charger Connect. Кожен автомобіль вказано окремо у списку транспортних засобів.

- ▶ Вибрати **Налаштування**  ▶ **список транспортних засобів**.

Автомобілі можна вилучити з цього списку.

## Вимкнення й увімкнення контролю заземлення



### НЕБЕЗПЕКА

Ураження струмом, коротке замикання, опік, вибух, пожежа

Використання зарядного пристрою без активного контролю заземлення може призвести до ураження електричним струмом, короткого замикання, пожежі, вибуху або отримання опіків.

- ▶ Зарядний пристрій бажано використовувати в електромережах із заземленням.
- ▶ Вимикайте контроль заземлення лише в незаземлених електромережах.
- ▶ Умикайте контроль заземлення в заземлених електромережах.

▶ Ознайомтеся з розділом «Увімкнення контролю заземлення» на с. 295.

## Вимкнення контролю заземлення

- ✓ На дисплеї відображається повідомлення про помилку через переривання чи відсутність захисного проводу.
- ✓ Процес заряджання не починається або припинився через контроль заземлення.
  - ⊙ Кнопка живлення світиться червоним.
  - Індикатори статусу світяться червоним.
 На дисплеї відображається повідомлення про помилку.
- 1. Щоб вимкнути контроль заземлення, скиньте помилку, натиснувши **Підтвердити**.
- 2. Натисніть і утримуйте кнопку живлення ☺ протягом трьох секунд.

3. Підтвердьте вимкнення контролю заземлення, натиснувши **Підтвердити**.
  - ➔ Контроль заземлення лишатиметься вимкненим і впродовж наступних процесів заряджання.

## Увімкнення контролю заземлення

Якщо зарядний пристрій працює в заземленій електромережі, увімкніть контроль заземлення.

1. Відкрийте меню **Контроль заземлення (Налаштування ⚙️ ▶️ Контроль заземлення)**.
2. Увімкніть контроль заземлення, натиснувши **Увімкнути**.

Якщо контроль заземлення ввімкнено, пункт **Контроль заземлення** не відображається в меню **Налаштування ⚙️**.

## Вхід у веб-програму

Для стандартної роботи з веб-програмою використовуйте обліковий запис "Домашній користувач". Обліковий запис Клієнтська служба використовується для доступу до додаткових налаштувань. Він призначений для сервісних партнерів Porsche.

- ✓ Дані доступу напоготові.
- 1. У полі **Користувач** виберіть потрібний варіант.
- 2. Введіть пароль (з листа з даними доступу).

## Інформація

Якщо користувач не виконує жодних дій упродовж 25 хвилин, він автоматично виходить із веб-програми.

## Запуск веб-програми

Веб-програма, окрема для кожного зарядного пристрою, надає додаткові можливості конфігурації та детальну інформацію про попередні заряджання.

## Інформація

- У деяких браузерах веб-програма відкривається не відразу, спочатку відображається вказівка щодо налаштувань безпеки.
- Залежно від операційної системи кінцевого пристрою, для запуску веб-програми може знадобитися ввести ключ мережі.


## Запуск веб-програми через точку доступу

Веб-програму можна відкрити на кінцевому пристрої (ПК, планшеті або смартфоні) через точку доступу, налаштовану на зарядному пристрої. Щоб дізнатися, як налаштувати точку доступу, перейдіть за посиланням нижче.

- ▶ Ознайомтеся з розділом «Точка доступу» на с. 290.
- ▶ Щоб запустити веб-програму, коли ввімкнено точку доступу, у рядку адреси браузера введіть цю IP-адресу: 192.168.0.1

### Запуск веб-програми через мережу WLAN

Веб-програму можна відкрити в браузері кінцевого пристрою (ПК, планшета або смартфона), який зареєстровано в тій самій домашній мережі, що й зарядний пристрій.

- У рядку адреси браузера введіть поточну IP-адресу зарядного пристрою. Її можна знайти в меню **Налаштування**  **Мережа** **Дані про мережу**.

— або —

У рядку адреси браузера введіть ім'я хосту зарядного пристрою. Його можна знайти в листі з даними доступу.

► Указівки щодо використання веб-програми можна знайти в посібнику на веб-сайті <https://www.porsche.com/international/aboutporsche/e-performance/help-and-contact/>.

### Використання веб-програми

#### Запуск веб-програми


#### Установлення підключення до зарядного пристрою

Якщо під час налаштування зарядний пристрій було підключено до наявної домашньої мережі (WLAN або Powerline Communication), доступ до веб-програми можна отримати за вказаною IP-адресою.

Більше про підключення до мережі: ► Ознайомтеся з розділом «Підключення» на с. 297..


#### Запуск веб-програми через мережу WLAN

- ✓ Кінцевий і зарядний пристрої підключено до тієї самої мережі WLAN.

1. Відкрийте браузер.
2. В адресному рядку браузера вкажіть IP-адресу, яку ви ввели під час налаштування (у розділі **Налаштування**  **Мережі** **Дані про мережу** на зарядному пристрої), або ім'я хосту зарядного пристрою (указане в листі з даними доступу).

#### Запуск веб-програми через Powerline Communication

- ✓ Кінцевий і зарядний пристрої підключені до тієї самої мережі за допомогою з'єднання з PLC.

1. Відкрийте браузер.
2. В адресному рядку браузера вкажіть IP-адресу, яку ви ввели під час налаштування (у розділі **Налаштування**  **Мережі** **Дані про мережу** на зарядному пристрої).

#### Запуск веб-програми через точку доступу

З'єднання також можна встановити через точку доступу. Зарядний пристрій може працювати як бездротова точка доступу, яку захищено паролем і підключення до якої здійснюється вручну. Ви можете підключити кінцевий пристрій із підтримкою Wi-Fi до точки доступу й через веб-програму отримати доступ до зарядного пристрою. Через веб-програму можна будь-коли підключитися до домашньої мережі.

- ✓ Зарядний пристрій увімкнено. Зарядний пристрій автоматично вмикає свою точку доступу WLAN.


1. На інформаційній панелі кінцевого пристрою натисніть символ мережі або WLAN.
2. Виберіть мережу WLAN зі списку. Назва мережі WLAN указана як SSID в листі з даними доступу й має такий вигляд: **ICCPD-#####**.
3. Натисніть кнопку підключення.
4. У поле **Ключ безпеки** введіть ключ мережі (зазначений у листі з даними доступу як **Wi-Fi PSK**).
  - Установлюється з'єднання з мережею WLAN.

Примітка. Під час налаштування в ОС Windows 10 спочатку запитується PIN-код для підключення до маршрутизатора. Виберіть посилання "Натомість підключити з використанням ключа безпеки" та введіть ключ.

5. Відкрийте браузер.
6. В адресному рядку браузера введіть таку IP-адресу: **192.168.0.1**.

## Інформація

Якщо кінцевий пристрій підключено до домашньої мережі, він не може через веб-програму встановити з'єднання з IP-адресою точки доступу (192.168.0.1). Це можливо лише через автоматично призначену IP-адресу або ім'я хосту зарядного пристрою.

- Розташування наявних записів IP-адрес:
  - Web Application: **Технічне обслуговування**
    - ▶ **Інформація про пристрій**
  - Зарядний пристрій: **Налаштування**  ▶ **Мережі** ▶ **Дані про мережу**
- Розташування наявних записів імен хостів:
  - Лист із даними доступу
  - Web Application: **Технічне обслуговування**
    - ▶ **Інформація про пристрій**

## Переспрямування у веб-програму

### Інформація

У деяких браузерах веб-програма відкривається не відразу, спочатку відображається вказівка щодо налаштувань безпеки.

1. У відображеному попереджувальному повідомленні браузера натисніть кнопку **Додатково**.
2. У діалоговому вікні виберіть **Додати виняток**.
  - ➔ Сертифікат SSL буде підтверджено, і відкриється веб-програма.

## Історія заряджання

Тут перелічено процеси заряджання в хронологічному порядку. Про кожний процес заряджання можна отримати такі відомості:

- Час
- Тривалість заряджання
- Витрата
- Витрати (якщо доступна система керування енергоспоживанням)
- Поточний рахунок (якщо його було вибрано під час процесу заряджання)

У веб-програмі історію заряджання можна експортувати у вигляді таблиці Excel.

1. Виберіть **Експортувати історію заряджання**.
2. Перейдіть у потрібне розташування та збережіть дані.

### Інформація

Для кожного активного процесу заряджання з метою оцінки можна вибрати рахунок **Робочі** або **Приватні**. Це можна зробити в розділі з інформацією для актуального **процесу заряджання** (символ і в рядку меню) у системі зарядного пристрою. Вибраний параметр застосується до наступного процесу заряджання. За потреби змінити значення можна вручну.


## Підключення

Щоб отримати доступ до веб-програми зарядного пристрою та відповідних даних і налаштувань, кінцевий і зарядний пристрої потрібно підключити до домашньої мережі (через WLAN або PLC). Через інтернет-з'єднання домашньої мережі можна використовувати всі функції веб-програми.

Якщо домашня мережа відсутня, з кінцевого пристрою (ПК, планшета чи смартфона) до зарядного можна підключитися напряму через точку доступу WLAN. Але в такому випадку немає з'єднання з Інтернетом і доступні лише локально встановлені функції.

### Інформація

Якщо кінцевий пристрій підключено до домашньої мережі, він не може через веб-програму встановити з'єднання з IP-адресою точки доступу (192.168.0.1). Це можливо лише через автоматично призначену IP-адресу або ім'я хосту зарядного пристрою.

- Розташування наявних записів IP-адрес:
  - Web Application: **Технічне обслуговування**
    - ▶ **Інформація про пристрій**
  - Зарядний пристрій: **Налаштування**  ▶ **Мережі** ▶ **Дані про мережу**
- Розташування наявних записів імен хостів:
  - Лист із даними доступу
  - Web Application: **Технічне обслуговування**
    - ▶ **Інформація про пристрій**

### Інформація

Якщо переключитися під час налаштування з точки доступу на WLAN або навпаки, знадобиться знову увійти в систему.

Якщо переключатися між домашньою мережею з Powerline Communication і наявною точкою доступу, повторно входити в систему не потрібно.

## Інформація

Підключення до точки доступу у веб-програмі слід вимикати, лише коли можливе підключення до домашньої мережі.

- ▶ Виберіть потрібне підключення до мережі (точка доступу, WLAN, Powerline Communication).

## Точка доступу

Кінцевий пристрій може підключитися безпосередньо до зарядного через внутрішню точку доступу WLAN.

1. Виберіть функцію **Настроїти точку доступу**.
2. У налаштуваннях введіть назву мережі та ключ безпеки точки доступу.
- ▶ Більше про підключення до точки доступу:
  - ▷ Ознайомтеся з розділом «Запуск веб-програми» на с. 296..

## WLAN

### Інформація

Якщо зарядний пристрій уже підключено до кінцевого через точку доступу, неможливо одночасно встановити з'єднання з мережею WLAN. Спершу потрібно вимкнути точку доступу.

1. Увімкніть WLAN.
2. Виберіть параметр **З'єднати з мережею**.
3. Виберіть потрібну мережу зі списку та введіть **Ключ безпеки**. **Інша мережа**: виберіть цей параметр, якщо це прихована мережа.

4. Виберіть автоматичне призначення IP-адреси (рекомендовано).

- ➔ IP-адреса з'явиться, коли встановиться підключення до мережі.

У списку для відповідної мережі відобразиться статус **Підключено**.

## Керування мережами WLAN

Опція	Пояснення
<b>Інша мережа</b>	▶ Виберіть цей параметр, якщо ваша мережа прихована.
<b>Керування відомими мережами</b>	▶ Виберіть параметр <b>Видалити</b> , щоб стерти дані збереженої мережі. Зарядний пристрій завжди перебуває у відповідній мережі.

## Відключення від мережі

1. Виберіть підключену мережу.
2. Натисніть параметр **Роз'єднати**, щоб відключитися від мережі WLAN.

## Налаштування підключення до мережі

1. Виберіть підключену мережу.
2. Натисніть **Настроїти**, щоб змінити налаштування для адреси IPv4 та DNS-сервера.

## Інформація

Для підключення до мережі використовується частота 2,4 ГГц. Якщо з підключенням до мережі виникають проблеми, відключіть у маршрутизаторі частоту 5 ГГц.

## Powerline Communication

Крім WLAN, для встановлення з'єднання між домашньою мережею та зарядним пристроєм можна використовувати підключення PLC. При цьому наявна електромережа використовується для створення локальної мережі для передавання даних. Зарядний пристрій реєструється в мережі PLC як клієнт.

Для встановлення з'єднання зарядний пристрій потрібно підключити до модема PLC за допомогою спеціальної кнопки. У такому разі підключення відбувається автоматично. Також, щоб установити з'єднання, можна ввести ключ захисту зарядного пристрою в модемі PLC.

1. Активуйте параметр **Powerline Communication (PLC)**.
2. Додайте зарядний пристрій у мережу PLC.
  - **Варіант 1:** за допомогою кнопки з'єднання.
    - A.** У веб-програмі виберіть параметр **Установити з'єднання за допомогою методу Push для PLC**.
    - B.** Виберіть **Почати з'єднання**.
    - C.** Протягом 2 хвилин натисніть кнопку встановлення з'єднання на модемі PLC.
    - D.** Натисніть кнопку **Підключитися**, щоб підтвердити з'єднання.
  - **Варіант 2:** за допомогою ключа захисту PLC.



**A.** Виберіть параметр **Встановити з'єднання за допомогою ключа безпеки PLC**. Відобразиться ключ захисту.

**B.** Введіть ключ у налаштуваннях модема PLC.

- ➔ Зарядний пристрій додається в мережу PLC й установиться з'єднання.

#### Установлення з'єднання PLC з автомобілем

Ця функція доступна лише в обліковому записі **Клієнтська служба**. Якщо перервати з'єднання PLC, дані більше не передаватимуться через кабель в автомобіль.

Це потрібно, наприклад, для виконання певних вимірювань.

За умовчанням під час передавання даних відбувається заряджання, при чому застосовується спеціальний протокол (високого рівня).

Якщо передавання даних не відбувається, заряджання базується на електричних параметрах (широко-імпульсній модуляції).

#### Додавання системи керування енергоспоживанням

Щоб керувати процесами заряджання за допомогою системи керування енергоспоживанням, спочатку необхідно з'єднати з нею зарядний пристрій (пристрій EEBus). З'єднання потрібно встановити у веб-програмах системи керування енергоспоживанням і зарядного пристрою (за потреби — безпосередньо на зарядному пристрої).

#### Установлення з'єднання із зарядним пристроєм у системі керування енергоспоживанням

► Щоб дізнатися, як установити з'єднання із зарядним пристроєм, див. розділ "Додавання пристрою EEBus" у посібнику з використання веб-програми системи Porsche Home Energy Manager.

#### Установлення з'єднання із системою керування енергоспоживанням у зарядному пристрої

- ✓ Зарядний пристрій і система керування енергоспоживанням перебувають у тій самій мережі.
1. У веб-програмі зарядного пристрою послідовно виберіть **Підключення** ► **Енергетичний менеджер**.
    - ➔ Система керування енергоспоживанням відображається в списку **Доступні системи керування енергоспоживанням**.
  2. Виберіть і розгорніть систему керування енергоспоживанням.
  3. Виберіть **Сполучити пристрій**.
    - ➔ Установлення з'єднання буде перевірено.

4. У діалоговому вікні **Встановлення з'єднання** ще раз перевірте дані системи керування енергоспоживанням, використовуючи ідентифікаційний номер (SKI), потім виберіть параметр **Підключитися**.

- ➔ Систему керування енергоспоживанням успішно підключено. Відображається статус **Систему керування енергоспоживанням підключено**.

Налаштування системи керування енергоспоживанням (наприклад, дані про зарядний струм, захист від перевантаження й оптимізацію заряджання, а також налаштування тарифу) передаються на зарядний пристрій.

#### Переривання з'єднання із системою керування енергоспоживанням

1. У веб-програмі зарядного пристрою послідовно виберіть **Підключення** ► **Енергетичний менеджер**.
  - ➔ Підключена система керування енергоспоживанням відображається зі статусом **Систему керування енергоспоживанням підключено**.
2. Виберіть **Роз'єднати**.
  - ➔ З'єднання між системою керування енергоспоживанням і зарядним пристроєм переривається.

#### Зв'язування профілів користувачів

##### Інформація

Щоб передавати дані в обліковий запис Porsche ID, необхідно підключити пристрій до Інтернету.

Інформацію про процедури заряджання можна також переглядати в обліковому записі Porsche ID. Для цього зарядний пристрій потрібно зв'язати з Porsche ID.

1. Натисніть кнопку **Зв'язування профілю користувача**.
  - ➔ Відкриється діалогове вікно **Зв'язування профілю користувача**.
2. Залежно від наявності інтернет-підключення виберіть одну з наведених нижче опцій (див. "Параметри підключення до Інтернету").
3. На веб-сайті введіть дані для входу в обліковий запис Porsche ID (Porsche ID й пароль).

### Параметри підключення до Інтернету

Опція	Пояснення
<b>До My Porsche</b>	<ul style="list-style-type: none"><li>✓ Веб-програма з підключенням до Інтернету.</li><li>▶ Вас буде переспрямовано безпосередньо в обліковий запис Porsche ID.</li></ul>
<b>Інші опції</b>	<ul style="list-style-type: none"><li>✓ Веб-програма без підключення до Інтернету.</li><li>▶ На підключеному до Інтернету кінцевому мобільному пристрої відскануйте QR-код або вручну введіть URL-адресу в браузері.</li></ul>

## Налаштування

### Система

#### Демонстраційний режим

Цей параметр доступний лише в обліковому записі "Клієнтська служба". У демонстраційному режимі зручно переглядати функції зарядного пристрою та проводити симуляцію процесу заряджання. Налаштування, застосовані в демонстраційному режимі, не використовуються для реальних процедур.

- ✓ Ви ввійшли в обліковий запис **Клієнтська служба**.

- ▶ Увімкніть функцію.

Під час наступного входу у веб-програму демонстраційний режим вимикається.

#### Зміна пароля

Використовується для зміни пароля входу у веб-програму. Замість початкового пароля, указанного в листі з даними доступу, записується новий.

- ▶ Виберіть пункт **Змінити** та введіть новий пароль.

#### Увімкнення захисту пристрою

PIN-код захищає зарядний пристрій і перешкоджає його несанкціонованому підключенню до автомобіля.

1. Увімкніть функцію.
2. Введіть і підтвердьте 4-значний PIN-код.
3. Ще раз введіть і підтвердьте PIN-код.
  - ➔ Увімкнення запиту PIN-коду підтверджено.

Введіть цей PIN-код, щоб розблокувати зарядний пристрій.

#### Активація PIN-коду гостя

PIN-код гостя можна використовувати для іншого користувача.

- ▶ Процедура така сама, як і під час установавлення PIN-коду для захисту пристрою.

#### Інформація

Користувач-гість не може налаштувати зарядний пристрій.

#### Регулювання витрати електроенергії

Увімкніть режим спокою, щоб заощадити енергію. Режим спокою вмикається, коли завершується процес заряджання.

- ▶ Увімкніть функцію **Режим спокою**.

Пристрій потребує певного часу, щоб вийти з режиму спокою та відновити готовність до роботи.

#### Інформація

Якщо зарядний пристрій не використовується впродовж тривалого часу, він автоматично переходить у режим очікування. Спершу яскравість підсвічування дисплея зменшиться, а потім він вимкнеться. Щоб знову почати користуватися пристроєм, натисніть кнопку живлення.

## Вибір мови й країни

Поле	Пояснення
Мова	Вибір мови веб-програми.
Країна	Країна місця використання. Налаштування конфігурації залежать від країни. Якщо введене місце використання відрізняється від фактичного, можуть бути недоступні не всі налаштування.

## Налаштування дати й часу

Поле	Пояснення
Дата й час	Якщо встановлено підключення до Інтернету, налаштування дати й часу застосовуються автоматично. <b>Часовий пояс:</b> можна вибрати вручну. <b>Установлення часу:</b> вибір часу вручну, якщо час мережі недоступний.

## Одиниці

Виберіть параметри й одиниці вимірювання для пристрою.

## Дисплей пристрою

За допомогою цього налаштування встановлюється яскравість дисплея пристрою.

## Зарядження

## Статус мережі

Цей параметр доступний лише в обліковому записі

**Клієнтська служба.** Інформація про стан мережі, наведена нижче, автоматично розпізнається пристроєм.

Індикатор	Пояснення
Фази мережі	Кількість фаз мережного кабелю.
Тип кабелю	Тип зарядного кабелю автомобіля. Тип кабелю надає важливу інформацію для настройки максимального зарядного струму.
Обмежений режим роботи	Цифра вказує на те, які датчики зменшують зарядну потужність через перегрівання: <ul style="list-style-type: none"> <li>0: мікроконтролер надмірної температури;</li> <li>1: реле надмірної температури;</li> </ul>

Індикатор	Пояснення
	– 2: датчик внутрішньої надмірної температури;
	– 3: датчик надмірної температури внутрішнього кабелю 1;
	– 4: датчик надмірної температури внутрішнього кабелю 2;

## Контроль заземлення

**⚠ НЕБЕЗПЕКА** Ураження струмом, коротке замикання, опік, вибух, пожежа

Використання зарядного пристрою без активного контролю заземлення може призвести до ураження електричним струмом, короткого замикання, пожежі, вибуху або отримання опіків.

- ▶ Зарядний пристрій бажано використовувати в електромережах із заземленням.
- ▶ Вимикайте контроль заземлення лише в незаземлених електромережах.
- ▶ Умикайте контроль заземлення в заземлених електромережах.

Увімкнення й вимкнення контролю заземлення: ▶ Ознайомтеся з розділом «Вимкнення й увімкнення контролю заземлення» на с. 295.

## Коригування зарядного струму

Якщо зарядний струм в автомобілі зavelикий, запобіжник може спрацювати та спровокувати збій роботи джерела живлення.

Якщо систему керування енергоспоживанням підключено до зарядного пристрою, функція захисту від перевантаження контролює зарядний струм, що надходить до зарядного пристрою. Якщо в домашній мережі немає системи керування енергоспоживанням, максимальний струм для зарядного пристрою потрібно встановити самостійно.

Указаний тут зарядний струм не має перевищувати максимальний для електрообладнання.

Далі вказано, що потрібно враховувати для визначення максимального зарядного струму.

- Тип кабелю, підключеного до зарядного пристрою
- Інші споживачі, підключені до тієї самої лінії або запобіжника

Інформація про мережний кабель і його використання залежно від країни: Ознайомтеся з розділом «Вибір мережного кабелю» на с. 284.

### Інформація

Установлена зарядна потужність у жодному разі не має перевищувати максимально доступну в електроланцюзі.

У разі сумнівів зверніться до кваліфікованого електрика.

### Інформація

Якщо підключено систему керування енергоспоживанням, замість указанного значення використовується налаштування цієї системи.

- ✓ Кабель для автомобіля підключено до зарядного пристрою.
- ▶ У веб-програмі за допомогою регулятора виберіть мінімальний і максимальний зарядний струм.

## Технічне обслуговування

### Перегляд інформації про пристрій

Ця інформація містить дані пристрою, зокрема номер версії, серійний номер та ім'я хосту.

У разі повідомлення про помилку ці дані необхідно надати сервісному партнеру Porsche.

### Перегляд відомостей про загальну тривалість заряджання

Індикатор	Пояснення
<b>Загальна витрата електроенергії</b>	Загальна витрата електроенергії для всіх попередніх процедур заряджання на цьому пристрої.
<b>Загальна тривалість заряджання</b>	Загальна тривалість усіх попередніх процедур заряджання на цьому пристрої.

### Перегляд даних реєстратора подій

Цей параметр доступний лише в обліковому записі **Клієнтська служба**. Відображені дані реєстратора подій стосуються повідомлень про помилки, які сталися під час перевірки системи. Відображаються активні й пасивні реєстратори подій. Активні події або помилки, на відміну від пасивних, актуальні на момент перегляду.

- ▶ Виберіть потрібний протокол, щоб переглянути повідомлення про помилку й результати перевірки системи.

## Інсталяція оновлень програмного забезпечення

За умовчанням зарядний пристрій перевіряє доступність оновлень програмного забезпечення й автоматично завантажує їх. Цей параметр визначає, як інстальоватимуться оновлення програмного забезпечення: автоматично чи вручну. **Версія програмного забезпечення:** версія встановленого програмного забезпечення.

### Інформація

Щоб мати змогу шукати й завантажувати оновлення програмного забезпечення, пристрій має бути підключено до Інтернету.

### Автоматичне оновлення

Якщо відповідну функцію активовано, зарядний пристрій автоматично інстальює оновлення програмного забезпечення.

- ▶ Виберіть функцію **Автоматичні оновлення програмного забезпечення**.

### Ручне оновлення

Коли нова версія програмного забезпечення стає доступна, у полі статусу пристрою з'являється відповідне повідомлення.

- ✓ Функцію **Автоматичні оновлення програмного забезпечення** дезактивовано.
- ▶ Натисніть кнопку **Оновити програмне забезпечення**, щоб запустити інсталяцію.

### Створення резервної копії налаштувань

Налаштування конфігурації та вже зібрані дані можна зберегти у вигляді резервної копії. За потреби (наприклад, у разі скидання до заводських налаштувань) налаштування можна відновити з резервної копії. Резервні копії створюються вручну у веб-програмі.

У резервних копіях не зберігаються паролі та персональні дані, як-от історія заряджання.

### Створення резервної копії

Коли ви вручну створюєте резервну копію, дані зберігаються на вашому кінцевому пристрої.

✓ Кінцевий і зарядний пристрої підключено до мережі.

1. Виберіть **Експортувати**.
2. Перейдіть у потрібне розташування.
3. Збережіть резервну копію.

**Установити пароль:** введіть пароль.

Пароль захищає дані та має вказуватися для імпорту або відновлення даних із резервної копії.

### Відновлення даних із резервної копії

Збережену резервну копію можна імпортувати з кінцевого в зарядний пристрій.

✓ Кінцевий і зарядний пристрої підключено до мережі.

1. Натисніть кнопку **Імпортувати**.
2. Перейдіть у місце зберігання резервної копії та виберіть її.
3. Введіть пароль, який використовувався під час збереження.

### Відновлення заводських налаштувань

Після ввімкнення цієї функції всі персональні дані й конфігурації, зокрема історія заряджання й налаштування мережі, видаляються. Крім того, усі паролі скидаються й відновлюються початкові, зазначені в листі з даними доступу.

- ▶ Увімкніть функцію **Відновити заводські налаштування**.

Створення резервної копії: Ознайомтеся з розділом «Технічне обслуговування» на с. 302.

### **i** Інформація

Якщо ви скинули налаштування до заводських, під час наступного запуску асистент допоможе вам установити найважливіші параметри для пристрою.

## Зарядна док-станція

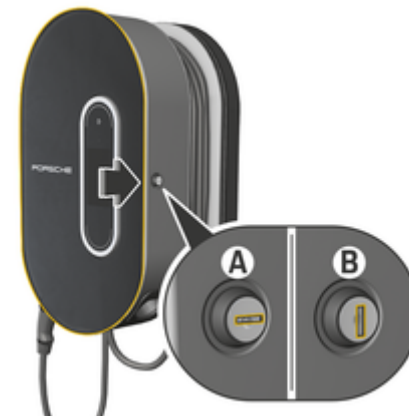


рис. 138: Зарядна док-станція

### Відкриття зарядної док-станції

- ▶ Натисніть на дверцята зарядної док-станції **за напрямком стрілки**. Дверцята відкриються автоматично.

### Закривання зарядної док-станції

- ▶ Закрийте дверцята зарядної док-станції та притисніть їх **за напрямком стрілки**.

### Замикання зарядної док-станції

- ▶ Поверніть замок у положення **A** (рис. 138).

### Відмикання зарядної док-станції

- ▶ Поверніть замок у положення **B** (рис. 138).

### Вставлення панелі керування в зарядну док-станцію та виймання з неї

#### ПРИМІТКА

Пошкодження зарядного пристрою

- ▶ Завжди тримайте дверцята закритими.
- ▶ Не кладіть нічого на дверцята чи зарядну док-станцію.

### Вставлення панелі керування в зарядну док-станцію

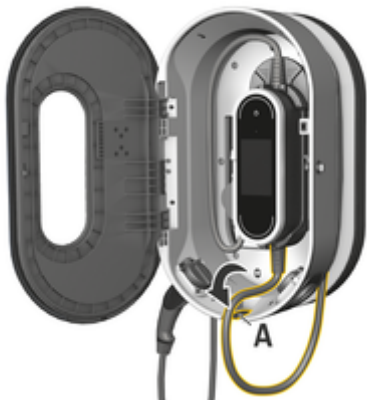


рис. 139: Вставлення панелі керування

1. Відкрийте дверцята зарядної док-станції.
2. Вставте панель керування знизу у фіксатори док-станції та закріпіть, штовхнувши її назад до характерного клацання.

3. Просуньте кабель для автомобіля через отвір А (рис. 139) і обмотайте його зайву частину навколо док-станції.
4. Вставте мережний кабель у розетку.
5. Закрийте дверцята зарядної док-станції.

### Виймання панелі керування із зарядної док-станції

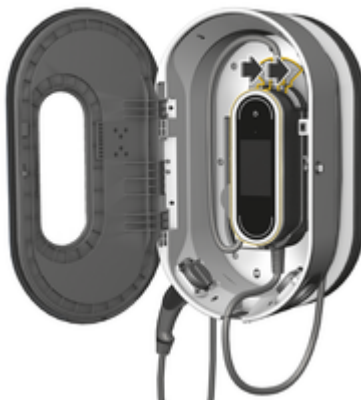


рис. 140: Вставлення панелі керування

1. Відкрийте дверцята зарядної док-станції.
2. Вийміть мережний кабель із розетки.
3. Повністю розмотайте кабель для автомобіля на док-станції.
4. Натиснувши відмикальний важіль (показано стрілкою), вийміть панель керування з кріплення.

## Несправності під час роботи

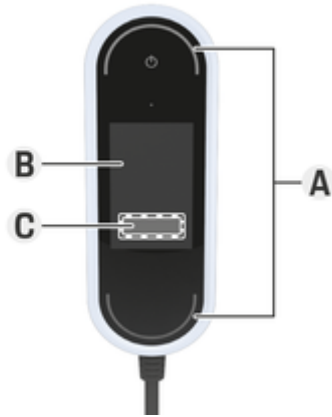


рис. 141: Індикація несправностей під час роботи

- A** Індикатори статусу світяться червоним
- B** Повідомлення про помилку та її причину
- C** Усуення несправності

У разі помилок чи несправностей на дисплеї зарядного пристрою відображається відповідне повідомлення. При цьому індикатори статусу й кнопка живлення світяться червоним. Повідомлення містить опис помилки, інформацію про її причину та спосіб усунення.

- ▶ Дотримуйтеся інструкцій з усунення несправностей.



### ПРИМІТКА

Пошкодження зарядного пристрою

- ▶ Якщо несправність виникає постійно або з'являється знову, від'єднайте зарядний пристрій від електромережі та зверніться до професійного електрика. Компанія Porsche рекомендує використовувати послуги сертифікованого сервісного партнера Porsche.

Нижче наведено рекомендації щодо усунення несправностей під час роботи, які перешкоджають заряджанню або його погіршують.

Ситуація	Рекомендована дія
Індикація (дисплей, індикатори статусу, кнопка живлення) повністю не працює.	<ul style="list-style-type: none"> <li>▶ Від'єднайте зарядний пристрій від електромережі та замініть його.</li> <li>▶ Зверніться до професійного електрика, щоб він перевірів електропроводку будівлі.</li> </ul>
На дисплеї відсутня індикація, індикатори статусу не забарвлені, а кнопка живлення світиться червоним.	<ul style="list-style-type: none"> <li>▶ Зарядний пристрій перегрівся. Від'єднайте зарядний пристрій від електромережі та дайте йому поступово охолонути без використання допоміжних засобів.</li> <li>▶ Якщо помилка не зникає, замініть зарядний пристрій.</li> </ul>

Ситуація	Рекомендована дія
Погіршення роботи або неможливість заряджання (повідомлення на дисплеї).	<ul style="list-style-type: none"> <li>▶ Перевірте, чи мережний кабель і кабель для автомобіля під'єднано з правильного боку панелі керування та належним чином вставлено в роз'єми.</li> <li>▶ Перевірте, чи температура зарядного пристрою відповідає допустимій.               <ul style="list-style-type: none"> <li>▷ Ознайомтеся з розділом «Технічні дані» на с. 310.</li> </ul> </li> <li>▶ Скиньте можливі повідомлення про помилки.</li> <li>▶ Перезапустіть зарядний пристрій. Для цього натисніть і утримуйте кнопку живлення не менше ніж 10 секунд.</li> </ul>
Зарядний струм занадто низький (повідомлення на дисплеї).	<ul style="list-style-type: none"> <li>▶ Домашня мережа перевантажена. Вимкніть інші великі енергоспоживачі.</li> </ul>
Напруга в електромережі зависока (повідомлення на дисплеї).	<ul style="list-style-type: none"> <li>▶ Зверніться до професійного електрика, щоб він перевірів електропроводку будівлі.</li> </ul>
Температура зарядного пристрою не відповідає допустимій (повідомлення на дисплеї).	<ul style="list-style-type: none"> <li>▶ Відключення через високу температуру пристрою: не допускайте потрапляння прямих сонячних променів і дайте зарядному пристрою поступово охолонути без використання допоміжних засобів.</li> <li>▶ Відключення через низьку температуру: перед використанням дайте зарядному пристрою прогрітися в місці з потрібною температурою.</li> <li>▶ Датчик температури пристрою несправний: замініть зарядний пристрій.</li> </ul>
Спрацював автоматичний вимикач електропроводки будівлі (повідомлення на дисплеї).	<ul style="list-style-type: none"> <li>▶ Зменште зарядний струм у налаштуваннях зарядного пристрою.</li> <li>▶ Скиньте можливі повідомлення про помилки.</li> </ul>
Відображається індикація переривання заряджання: <ul style="list-style-type: none"> <li>▶ кнопка живлення світиться білим;</li> <li>▶ індикатори стану блимають синім;</li> <li>▶ дисплей умикається.</li> </ul>	<ul style="list-style-type: none"> <li>▶ Зачекайте, доки автомобіль автоматично продовжить заряджатися.</li> <li>▶ Процес заряджання можна припинити з автомобіля.</li> </ul>



## Транспортування

### **⚠ ПЕРЕДЖЕННЯ** Незакріплений вантаж

Незакріплений, неналежним чином закріплений або неправильно розміщений зарядний пристрій під час гальмування, прискорення, зміни напрямку руху або в разі аварії може зміститися й наразити пасажирів на небезпеку.

- ▶ У жодному разі не перевозьте зарядний пристрій незакріпленим.
- ▶ Зарядний пристрій слід перевозити завжди в багажному відсіку. У жодному разі не перевозьте його в салоні (наприклад, на сидіннях або перед ними).

### **Закріплення зарядного пристрою для транспортування**

Залежно від типу автомобіля зарядний пристрій постачається із сумкою для транспортування або без неї.

- ▶ Якщо сумка для транспортування входить до комплекту постачання: завжди зберігайте й транспортуйте зарядний пристрій у сумці. Зачепіть сумку гачками за передні та задні кріпильні петлі.  
Щоб отримати інформацію про кріпильні петлі в багажному відсіку, виконайте наведені нижче дії.

▶ Ознайомтеся з посібником до автомобіля.

- ▶ Якщо сумка для транспортування не входить до комплекту постачання: під час транспортування розміщуйте зарядний пристрій у задньому багажному відсіку.
- ▶ Розміщуйте зарядний пристрій залежно від типу автомобіля так, щоб у разі небезпеки ніхто з пасажирів не постраждав.

### Очищення й обслуговування

Регулярно перевіряйте зарядний пристрій на наявність пошкоджень і забруднення, очищуйте в разі потреби.



**НЕБЕЗПЕКА**

Ураження електричним струмом, пожежа

Небезпека тяжкого чи смертельного травмування внаслідок пожежі чи ураження електричним струмом.

- ▶ У жодному разі не занурюйте зарядний пристрій і вилки у воду й не обливайте їх прямими струменями води (наприклад, з мийки високого тиску чи садового шланга).
- ▶ Очищуйте зарядний пристрій, лише коли панель керування повністю від'єднано від електромережі й автомобіля. Використовуйте для цього суху серветку.

## Утилізація

Електричні й електронні пристрої необхідно здати в пункт приймання або передати підприємству з утилізації відходів.

- ▶ Не викидайте електричні й електронні пристрої в побутове сміття.
- ▶ Утилізуйте електричні й електронні пристрої відповідно до чинних екологічних норм.
- ▶ Якщо у вас виникли запитання щодо утилізації, зверніться до партнера Porsche.

## Технічні дані

Електричні дані 9Y0.971.675...	BE MCC72E2A <sup>1)</sup>	BG MCC11E3A <sup>1)</sup>	VJ MCC22E3A <sup>1)</sup>
Потужність	<b>7,2 кВт</b>	<b>11 кВт</b>	<b>22 кВт</b>
Номинальний струм	16 А, двофазний 32 А, однофазний	16 А, трифазний	32 А, трифазний
Напруга електромережі	100–240 В/400 В	100–240/400 В	100–240/400 В
Фази	2/1	3	3
Частота мережі	50 Гц/60 Гц	50 Гц/60 Гц	50 Гц/60 Гц
Категорія перенапруги (IEC 60664)	II	II	II
Інтегрований пристрій захисного відключення	Тип А (змінний струм: 30 мА) + постійний струм: 6 мА	Тип А (змінний струм: 30 мА) + постійний струм: 6 мА	Тип А (змінний струм: 30 мА) + постійний струм: 6 мА
Клас захисту	I	I	I
Ступінь захисту	IP55 (США: корпус 3R)	IP55 (США: корпус 3R)	IP55 (США: корпус 3R)
Діапазони частот передачі	2,4 ГГц, 5 ГГц	2,4 ГГц, 5 ГГц	2,4 ГГц, 5 ГГц
Потужність передачі	20 дБм	20 дБм	20 дБм
Механічні дані 9Y0.971.675...	BE MCC72E2 A <sup>1)</sup>	BG MCC11E3 A <sup>1)</sup>	VJ MCC22E3 A <sup>1)</sup>
Маса панелі керування	2,54 кг		
Довжина кабелю для автомобіля	2,5 або 7,5 м		
Довжина мережного кабелю	0,9 м		

Механічні дані базового настінного кріплення 9Y0.971.675...	BE MCC72E2 A <sup>1)</sup>	BG MCC11E3 A <sup>1)</sup>	BJ MCC22E3 A <sup>1)</sup>
Габарити базового настінного кріплення	385 мм x 135 мм x 65 мм (довжина x ширина x висота)		
Маса базового настінного кріплення	Прибл. 0,45 кг		
Габарити кабельного каналу	127 мм x 115 мм x 139 мм (довжина x ширина x висота)		
Маса кабельного каналу	Прибл. 0,42 кг		
Габарити тримача вилки	136 мм x 50 мм x 173 мм (довжина x ширина x висота)		
Маса тримача вилки	Прибл. 0,14 кг		
Маса базового настінного кріплення в зборі	Прибл. 1 кг		

<sup>1)</sup> А означає незавершені зміни дизайну і може бути будь-якою літерою.

Механічні дані зарядної док-станції 9Y0.971.675...	BE MCC72E2 A <sup>1)</sup>	BG MCC11E3 A <sup>1)</sup>	BJ MCC22E3 A <sup>1)</sup>
Габарити зарядної док-станції	373 мм x 642 мм x 232 мм (ширина x висота x глибина)		
Маса зарядної док-станції	Прибл. 9,7 кг		

Умови навколишнього середовища та зберігання	BE MCC72E2 A <sup>1)</sup>	BG MCC11E3 A <sup>1)</sup>	VJ MCC22E3 A <sup>1)</sup>
Температура навколишнього середовища	від -30 °C до +50 °C		
Вологість повітря	5 % – 95 % без конденсації		
Висота над рівнем моря	макс. 5000 м над рівнем моря		

<sup>1)</sup> А означає незавершені зміни дизайну і може бути будь-якою літерою.



03725-21-12707

Este equipamento opera em caráter secundário, isto é, não tem direito à proteção contra interferência prejudicial, mesmo de estações do mesmo tipo, e não pode causar interferência a sistemas operando em caráter primário". Para maiores informações, consulte o site da ANATEL [www.anatel.gov.br](http://www.anatel.gov.br)

### Заводська табличка з позначенням моделі

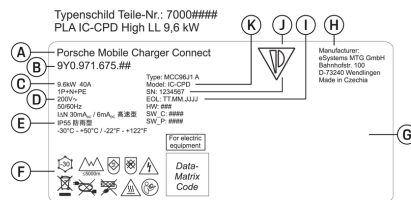


рис. 142: Заводська табличка з позначенням моделі (приклад)

- A** Назва виробу
- B** Номер артикула
- C** Потужність і номінальний струм
- D** Напруга електромережі
- E** Ступінь захисту
- F** Піктограми щодо використання
- G** Інформація про сертифікацію
- H** Виробник
- I** Дата виготовлення
- J** Серійний номер
- K** Позначення типу

### Інформація про виробництво

#### Дата виготовлення

Дата виготовлення зарядного пристрою вказана на заводській табличці із зазначенням моделі й позначається скороченням «EOL i.O.». Формат зазначення дати виготовлення: день.місяць.рік

#### Виробник зарядного пристрою

eSystems MTG GmbH  
Bahnhofstraße 100  
73240 Wendlingen  
Німеччина

#### Електричні випробування

У разі виникнення запитань щодо регулярного електричного випробування зарядної інфраструктури (наприклад, VDE 0702) інформацію можна отримати на веб-сайті <https://www.porsche.com/international/accessoriesandservice/porscheservice/vehicleinformation/documents/> або в партнера Porsche.

**Декларація про відповідність**

Зарядний пристрій має радіобладнання.  
Виробники цього обладнання підтверджують його відповідність вимогам щодо застосування Директиви 2014/53/ЄС.

Повний текст декларації про відповідність вимогам директив ЄС доступний за такою інтернет-адресою:

► <http://www.porsche.com/international/accessoriesandservice/porscheservice/vehicleinformation/documents>

**Імпортери****Abu Dhabi: Ali & Sons Co. L.L.C**

Porsche Centre Abu Dhabi  
Zayed 2nd Street

Abu Dhabi

United Arab Emirates

P.O. Box 915

Телефон: +971 2 619 3911

**Dubai: Al Nabooda Automobiles L.L.C**

Porsche Centre Dubai  
Sheikh Zayed Road E11

Dubai

United Arab Emirates

P.O. Box 10773

Телефон: +971 4 305 8555

**Great Britain**

Porsche Cars Great Britain Ltd.

Bath Road

Calcot, Reading, Berkshire

RG31 7SE

United Kingdom

**Russland**

Porsche Россия

Ленинградское шоссе дом 71А, строение 10

125445, Москва, Россия

Телефон: +7-495-580-9911

**Singapur: Porsche Singapore**

Porsche Asia Pacific Pte Ltd  
20 McCallum Street #12-01

Tokio Marine Centre

Singapore 069046

## Алфавітний покажчик

### А

Артикульний номер зарядного пристрою..... 310

### В

Веб-додаток

Втрата пароля..... 277  
Змінити пароль..... 277  
Перший запуск..... 291  
Початковий пароль..... 277

Веб-програма

Запуск..... 295  
Точка доступу..... 295  
WLAN..... 296

Вибір мережі..... 289

Вибір місяця монтажу..... 280

Вибір облікового запису..... 299

Виймання панелі керування із зарядної док-станції

..... 304

Використання за призначенням..... 275

Виробник..... 312

Вставлення панелі керування в зарядну док-

станцію..... 304

Встановити зарядну док-станцію

Монтаж за допомогою розпірок..... 282

Установка без розпірок..... 283

Втрата даних доступу..... 276

Вхід у систему на зарядному пристрої..... 291

### Д

Дані доступу..... 276

Дата виготовлення..... 312

Декларація про відповідність..... 313

Дисплей

Мова і країна..... 289

Навігація..... 279

Рядок меню..... 279

Рядок стану..... 278

До посібника з експлуатації

Додаткова інформація..... 273

Політика конфіденційності..... 273

Додаткова інформація..... 273

Домашня мережа..... 289

Ім'я хосту..... 297

IP-адреса..... 297

Доступ до даних

Веб-додаток..... 277

Серійний номер зарядного пристрою..... 277

### Е

Експорт історії заряджання..... 297

### З

Заводська табличка з позначенням моделі..... 312

Загальна витрата електроенергії

Поточний процес заряджання..... 291

Закріплення під час транспортування..... 307

Заміна мережного кабелю та кабелю для

автомобіля..... 287

Заряджання

Завершення..... 294

Запуск..... 293

Зупинення..... 294

Зарядна док-станція..... 303

Відкриття..... 303

Відмикання..... 303

Закривання..... 303

Замикання..... 303

Зарядна потужність

Індикація..... 291

Зарядний пристрій

Зарядна потужність..... 291

Підключення..... 296

Піктограми..... 273

Початковий пароль..... 276

Стан заряджання..... 291

Статус пристрою..... 291

Захист пристрою..... 290

Зв'язування з Porsche ID..... 290

Зв'язування профілів користувачів..... 290, 299

### І

Ім'я хосту..... 297

Імпортери..... 313

Інструкції з експлуатації..... 292

Інструкції з техніки безпеки..... 274

Інструменти..... 281

Інформація про виробництво..... 312

### К

Кабель

Виймання..... 288

Закріплення..... 288

Кабель для заряджання

Типи кабелів і роз'ємів..... 284

Кабель для заряджання автомобіля

Типи кабелів і роз'ємів..... 284

Комплект постачання..... 276

Контроль заземлення

Вимкнення..... 295

Увімкнення..... 295

Коригування зарядного струму..... 290

### М

Майстер налаштувань..... 291

Мережа WLAN

Відключення..... 298

Керування..... 298

Підключення..... 298

Прихована мережа..... 298

Мережний кабель..... 284

Побутова розетка..... 285

Промислова розетка..... 285

Мова і країна..... 289

Можливості керування..... 279

Монтаж базового настінного кріплення..... 281

Монтаж тримача вилки..... 281



**Н**

Налаштування адреси IPv4.....	297
Налаштування запити PIN-коду.....	290
Налаштування DNS-сервера.....	298
Необхідні інструменти.....	281
Несправності під час роботи.....	305

**О**

Обмеження зарядного струму.....	294
Оновлення програмного забезпечення.....	289
Очищення.....	308

**П**

Панель керування.....	278
Вставлення в настінне кріплення.....	282
Дисплей.....	278
Огляд роз'ємів.....	277
Передавання даних.....	289
Перший запуск.....	289
Підключення	
Ключ захисту PLC.....	289
Кнопка з'єднання PLC.....	289
Система керування енергоспоживанням.....	290
Точка доступу.....	290
WLAN.....	289
Підключення до мережі	
Точка доступу.....	298
Powerline Communication (PLC).....	298
WLAN.....	298
Піктограми.....	273
Політика конфіденційності.....	273
Поточний процес заряджання.....	291
Продаж зарядного пристрою.....	277
Процес заряджання	
Витрата електроенергії.....	297
Перегляд.....	297

**Р**

Роз'єм для заряджання автомобіля.....	293
---------------------------------------	-----

**С**

Серійний номер.....	312
Серійний номер зарядного пристрою.....	277
Символи, які використовуються в цьому посібнику.....	271
Система керування енергоспоживанням.....	290
Додавання.....	299
З'єднання.....	299
Коригування зарядного струму.....	290
Споживання енергії під час заряджання.....	291
Стан заряджання.....	291
Структура попереджень.....	271

**Т**

Технічне обслуговування.....	308
Технічні характеристики	
Електричні дані.....	310
Механічні дані.....	310
Умови навколишнього середовища та зберігання.....	310
Точка доступу.....	290
Налаштування.....	298
Транспортування, закріплення зарядного пристрою.....	307
Тривалість заряджання.....	293

**У**

Утилізація.....	309
-----------------	-----

**І**

IP-адреса.....	297
----------------	-----

**Р**

PIN і PUK	
Втрата.....	277
Змінити пароль.....	277
Porsche ID.....	277

# Giới thiệu về Hướng dẫn sử dụng trình điều khiển này

## Cảnh báo và ký hiệu

Hướng dẫn sử dụng dành cho người lái này sử dụng nhiều hình thức cảnh báo và ký hiệu khác nhau.

### NGUY HIỂM

Chấn thương nghiêm trọng hoặc tử vong

Việc không tuân thủ các cảnh báo trong mục "Nguy hiểm" sẽ gây ra chấn thương nghiêm trọng hoặc tử vong.

### CẢNH BÁO

Có thể bị chấn thương nghiêm trọng hoặc tử vong

Việc không tuân thủ các cảnh báo trong mục "Cảnh báo" có thể gây ra chấn thương nghiêm trọng hoặc tử vong.

### THẬN TRỌNG

Có thể bị chấn thương nhẹ hoặc vừa

Việc không tuân thủ các cảnh báo trong mục "Thận trọng" có thể gây ra chấn thương nhẹ hoặc vừa.

### CHÚ Ý

Có thể gây hư hại xe

Việc không tuân thủ các cảnh báo trong mục "Chú ý" có thể gây ra hư hại cho xe.

## Thông tin

Từ "Thông tin" là để chỉ các thông tin bổ sung.

- ✓ Điều kiện phải được đáp ứng để sử dụng một chức năng.
  - ▶ Hướng dẫn bạn phải tuân theo.
1. Nếu hướng dẫn bao gồm nhiều bước, những bước này sẽ được đánh số.
  2. Các hướng dẫn mà bạn phải tuân theo trên màn hình hiển thị trung tâm.
- ▶ Thông báo về nơi bạn có thể tìm thấy thêm thông tin quan trọng về một chủ đề.

## Deutsch

### Đề biết Hướng dẫn sử dụng dành cho người lái

Chú giải cho biểu tượng. ....	318
Thông tin về bảo mật dữ liệu. ....	318
Thông tin thêm. ....	319

### Bảo mật

Hướng dẫn an toàn. ....	319
Sử dụng đúng cách. ....	320

### Phạm vi cung cấp

Dữ liệu truy cập. ....	322
------------------------	-----

### Khái quát

Kết nối trên thiết bị điều khiển. ....	323
Thiết bị điều khiển bộ sạc. ....	324
Bảng điều khiển hiển thị và điều khiển. ....	324

### Chọn vị trí lắp đặt. ....

### Dụng cụ yêu cầu. ....

### Lắp đặt

Lắp đế gắn tường. ....	327
Lắp đặt không có vòng đệm. ....	328
Lắp đặt có vòng đệm. ....	329

### Thiết lập

Dây cáp sạc và dây cáp cấp nguồn của xe. ....	329
Hoạt động và cấu hình ban đầu. ....	335
Khởi động với ứng dụng web. ....	336
Đăng nhập vào bộ sạc. ....	337
Bắt đầu thiết lập trên bộ sạc. ....	337
Khái quát. ....	337

### Vận hành

Hướng dẫn vận hành. ....	338
Sạc điện. ....	338
Đăng nhập vào ứng dụng web. ....	341
Sử dụng ứng dụng web. ....	341
Đề sạc điện. ....	348

### Trực trực. ....

### Vận chuyển. ....

### Vệ sinh và bảo trì. ....

### Hủy bỏ. ....

### Thông số kỹ thuật

Nhãn nhận biết thiết bị. ....	357
Thông tin về sản phẩm. ....	357
Nhà nhập khẩu. ....	358

### Chỉ mục. ....

### Để biết Hướng dẫn sử dụng dành cho người lái Chú giải cho biểu tượng

Tuỳ theo từng quốc gia, các biểu tượng khác nhau được gắn vào bộ sạc.



Vận hành bộ sạc trong phạm vi nhiệt độ từ -30°C đến +50°C.



Không sử dụng bộ sạc ở độ cao trên 5.000 m so với mực nước biển.



Bộ sạc được trang bị dây dẫn bảo vệ không chuyển mạch.



Bộ sạc được trang bị dây dẫn bảo vệ có chuyển mạch.



Thải bỏ bộ sạc tuân theo tất cả các quy định về thải bỏ hiện hành.



Không sử dụng cáp kéo dài, cuộn dây cáp.



Không sử dụng bộ chuyển đổi (di động).



Không sử dụng nhiều ổ cắm.



Không sử dụng bộ sạc có dây cáp kết nối hoặc linh kiện điện tử bị hư hỏng.



Nguy cơ bị điện giật do sử dụng không đúng cách.



Làm theo hướng dẫn vận hành kèm theo, đặc biệt chú ý các cảnh báo và hướng dẫn an toàn.



Bề mặt của bộ sạc có thể trở nên rất nóng.



Không vận hành bộ sạc trong các hệ thống cấp điện không được nối đất, ví dụ: mạng CNTT. Chỉ vận hành bộ sạc trong các hệ thống cấp điện có nối đất.



Chỉ vận hành bộ sạc trong mạng điện một pha.



Bộ sạc yêu cầu nguồn điện xoay chiều (AC).



Biểu thị thích cấm loại 1 có phạm vi điện áp  $\leq 250$  VAC.



Biểu thị thích cấm loại 2 có phạm vi điện áp  $\leq 480$  VAC.

### Thông tin về bảo mật dữ liệu

Để đảm bảo thiết bị sạc Porsche của bạn đang giao tiếp đúng cách và luôn cập nhật, Porsche có thể định kỳ thu thập và xử lý các dữ liệu của thiết bị được mã hóa sau đây từ thiết bị sạc: ID thiết bị, thương hiệu, thông tin chế tạo, kiểu thiết bị và phiên bản phần mềm.

Ngoài ra, nếu bạn thích sử dụng các dịch vụ Porsche Connect khác cho thiết bị sạc, bạn phải ghép nối thiết bị sạc với tài khoản ID Porsche của mình. Dịch vụ này được cung cấp từ nhà phân phối Porsche Connect tại những thị trường đã chọn. Trong khi sử dụng dịch vụ Porsche Connect, Porsche có thể thu thập và xử lý các thông tin cá nhân sau và dữ liệu khác của thiết bị để cung cấp các dịch vụ này: giấy tờ tùy thân của khách hàng, thông kê, thông tin quá trình sạc, trạng thái, trạng thái kết nối, nhân thời gian từ lần giao tiếp sau cùng đã được thiết lập. Bạn có thể tìm thêm thông tin về các điều khoản và điều kiện chung của doanh nghiệp, cùng chính sách bảo mật dữ liệu tại [www.porsche.com/connect-store](http://www.porsche.com/connect-store).

Quá trình truyền dữ liệu đều đặn của thiết bị sạc có thể phát sinh thêm chi phí sử dụng dịch vụ Internet. Dữ liệu của bạn đã được lưu trữ trong hệ thống của Porsche có thể được xóa vĩnh viễn bằng tính năng My Porsche. Do các hạn chế về kỹ thuật hoặc pháp lý, một số dịch vụ Porsche Connect trên thiết bị sạc của Porsche không sử dụng được ở một số quốc gia.

## Thông tin thêm

Bạn sẽ tìm thấy thêm thông tin về bộ sạc và ứng dụng web trong phần "E-Performance" tại <https://www.porsche.com>.

## Bảo mật Hướng dẫn an toàn

### ⚠️ NGUY HIỂM

Điện giật, đoản mạch, cháy, nổ

Việc sử dụng bộ sạc bị hỏng/lỗi và ổ điện bị hỏng/lỗi, việc sử dụng bộ sạc không đúng cách hoặc không làm theo hướng dẫn an toàn có thể gây ra đoản mạch, điện giật, cháy nổ hoặc bỏng.

- ▶ Chỉ sử dụng các phụ kiện, như bộ cáp nguồn và dây cáp của xe đã được Porsche phê chuẩn và cung cấp.
- ▶ Không sử dụng bộ sạc bị hỏng và/hoặc bị bẩn. Trước khi sử dụng, kiểm tra kết nối dây cáp và phích cắm xem có bị hỏng và bẩn không.
- ▶ Chỉ kết nối bộ sạc với ổ cắm điện được lắp đúng cách và không bị hư hỏng và với trang thiết bị điện không có lỗi.
- ▶ Không sử dụng cáp kéo dài, cuộn dây cáp, nhiều ổ cắm hoặc bộ điều hợp (di động).
- ▶ Ngắt kết nối bộ sạc khỏi nguồn điện lưới khi mưa bão sấm sét.
- ▶ Không sửa đổi hoặc sửa chữa bất kỳ bộ phận điện nào.
- ▶ Chỉ các chuyên gia mới được thực hiện hoạt động sửa chữa và khắc phục lỗi.

### ⚠️ NGUY HIỂM

Điện giật, cháy

Việc lắp ổ điện không đúng cách có thể gây ra điện giật hoặc cháy khi áp điện áp cao được sạc điện bằng cổng sạc trên xe.

- ▶ Chỉ có nhân viên kỹ thuật điện đủ tiêu chuẩn mới được thực hiện kiểm tra và lắp đặt nguồn điện, cũng như hoạt động ban đầu của ổ cắm điện cho bộ sạc. Nhân viên này hoàn toàn chịu trách nhiệm tuân thủ các tiêu chuẩn và quy định có liên quan. Porsche khuyến nghị bạn nên sử dụng đối tác cung cấp dịch vụ Porsche được chứng nhận.
- ▶ Mật cốt của dây cáp nguồn cho ổ cắm điện phải được xác định theo độ dài dây điện cùng các quy định và tiêu chuẩn hiện hành tại địa phương.
- ▶ Ổ cắm điện dùng để sạc phải được kết nối với một mạch điện có cầu chì riêng và tuân thủ các luật và tiêu chuẩn tại địa phương.
- ▶ Bộ sạc dành riêng cho các khu vực tư nhân hoặc bán công cộng, ví dụ như cơ sở tư nhân hoặc bãi đỗ xe của công ty. Tại một số quốc gia như Ý và New Zealand, sạc chế độ 2 bị **cấm** tại các khu vực công cộng.
- ▶ Không được cho phép các cá nhân không được ủy quyền (ví dụ: trẻ em vui chơi) hoặc động vật đến gần bộ sạc và xe trong quá trình sạc không có giám sát.

▶ Luôn đọc các hướng dẫn an toàn trong hướng dẫn lắp đặt và Hướng dẫn sử dụng dành cho người lái.

### **⚠ NGUY HIỂM**

Điện giật, cháy

Việc xử lý các tiếp điểm phích cắm sai cách có thể gây ra điện giật hoặc cháy.

- ▶ Không chạm vào các tiếp điểm trên cổng sạc trên xe và bộ sạc.
- ▶ Không đưa bất cứ vật gì vào cổng sạc trên xe hoặc bộ sạc.
- ▶ Bảo vệ các ổ cắm điện và kết nối phích cắm khỏi hơi ẩm, nước và các chất lỏng khác.

### **⚠ CẢNH BÁO**

Hơi dễ cháy nổ

Các bộ phận của bộ sạc có thể gây ra tia lửa và kích hoạt các loại hơi dễ gây cháy nổ.

- ▶ Để giảm rủi ro cháy nổ – đặc biệt là trong ga-ra – hãy đảm bảo đặt thiết bị điều khiển ở vị trí cao hơn sàn ít nhất 50 cm trong khi sạc.
- ▶ Không lắp đặt bộ sạc ở khu vực có khả năng cháy nổ.

Chỉ dành cho Indonesia



Dilarang melakukan perubahan spesifikasi yang dapat menimbulkan gangguan fisik dan/atau elektromagnetik terhadap lingkungan sekitar

Để đáp ứng các yêu cầu về giới hạn phơi nhiễm bức xạ điện từ (1999/519/EC), hãy lắp đặt bộ sạc sao cho khoảng cách tối thiểu với người là 20 cm.

Tuân theo các hướng dẫn và đề xuất sau để đảm bảo quá trình sạc không gián đoạn:

- Khi lắp mới ổ cắm điện, hãy chọn ổ cắm điện công nghiệp có công suất càng cao càng tốt (phù hợp với hệ thống điện đang dùng) và yêu cầu một nhân viên kỹ thuật điện có chuyên môn lắp đặt và khởi động. Porsche khuyến bạn nên sử dụng đối tác cung cấp dịch vụ Porsche được chứng nhận.
- Khi các điều kiện kỹ thuật và pháp lý cho phép, phải bố trí lắp đặt hệ thống điện sao cho ổ điện được dùng có thể cung cấp công suất định danh tối đa để sạc điện cho xe trong thời gian dài.
- Trước khi lắp đặt, hãy kiểm tra để đảm bảo hệ thống điện trong nhà có thể cung cấp liên tục nguồn điện với công suất cần thiết để sạc cho xe. Nếu cần, hãy bảo vệ hệ thống điện trong nhà bằng hệ thống quản lý năng lượng.
- Nên sử dụng bộ sạc trong các hệ thống cấp điện có nối đất. Phải lắp đặt dây dẫn bảo vệ thích hợp.
- Mọi thắc mắc về hệ thống lắp đặt điện trong nhà, liên hệ với nhân viên kỹ thuật điện có chuyên môn. Porsche khuyến bạn nên sử dụng đối tác cung cấp dịch vụ Porsche đã được chứng nhận.
- Nếu cần sử dụng bộ sạc với hệ thống quang điện, hãy liên hệ với đối tác Porsche.

- Để tận dụng tối đa bộ sạc và đảm bảo sạc xe nhanh chóng, hãy sử dụng ổ cắm điện NEMA với giá trị định mức dòng điện cao nhất có thể, phù hợp với phích cắm điện hoặc ổ cắm điện công nghiệp theo IEC 60309.
- Khi sạc ắc quy điện áp cao qua ổ cắm điện gia dụng/công nghiệp, hệ thống lắp đặt điện có thể tải lên đến công suất tối đa. Porsche khuyến bạn nên tìm một nhân viên kỹ thuật điện có chuyên môn để kiểm tra hệ thống điện thường xuyên. Hãy tham khảo ý kiến của nhân viên kỹ thuật điện để biết tần suất kiểm tra hệ thống điện. Porsche khuyến dùng dịch vụ của đối tác cung cấp dịch vụ Porsche đã được chứng nhận.
- Khi giao xe, dòng điện sạc được tự động giới hạn nhằm ngăn hệ thống lắp đặt điện bị quá nhiệt. Yêu cầu một nhân viên kỹ thuật điện có chuyên môn tiến hành lắp đặt bộ sạc và thiết lập giới hạn dòng điện sạc sao cho phù hợp với hệ thống điện trong nhà.
  - ▶ Tham khảo chương “Giới hạn dòng điện sạc” trên trang 339.

## Sử dụng đúng cách

Bộ sạc có hệ thống điều khiển và bảo vệ tích hợp để sạc chế độ 2 cho xe với ắc quy điện áp cao, đáp ứng các tiêu chuẩn chung và chỉ thị có liên quan đối với xe điện.

- ▶ Luôn sử dụng phiên bản thiết bị thích hợp với nguồn cấp điện trong nhà.
  - ▶ Tham khảo chương “Thông số kỹ thuật” trên trang 355.

Chỉ có thể sử dụng bộ sạc như một thiết bị kết hợp bao gồm dây cáp, thiết bị điều khiển và dây cáp xe.

Thích hợp để sử dụng ngoài trời.

## Phạm vi cung cấp



H. 143: Phạm vi cung cấp

- A** Cáp cấp nguồn (có thể rút khỏi thiết bị điều khiển)
- B** Phích cắm nguồn để kết nối với nguồn điện lưới
- C** Thiết bị điều khiển
- D** Phích cắm của xe (phích cắm đầu nối cho xe)
- E** Dây cáp xe (có thể tháo khỏi hoặc cố định vào thiết bị điều khiển, tùy theo quốc gia)
- F** Thư chứa dữ liệu truy cập

### **i** Thông tin

Các bộ phận tùy chọn: Có nhiều để gắn tường khác nhau cho bộ sạc tùy theo quốc gia khác nhau, ví dụ như để gắn tường cơ bản hoặc để sạc điện.

## Dữ liệu truy cập

Thư chứa dữ liệu truy cập, trong đó có toàn bộ thông tin cần thiết về bộ sạc và ứng dụng web, Web Application được cung cấp kèm theo thiết bị của bạn.

- ▶ Giữ thư chứa dữ liệu truy cập ở nơi an toàn.

### **i** Thông tin

Trong trường hợp thiếu dữ liệu truy cập khi giao thiết bị, ví dụ thiếu mã PIN đặt sẵn và mật khẩu ban đầu, vui lòng liên hệ với đối tác Porsche.

- Chuẩn bị sẵn số sê-ri của bộ sạc.
  - ▶ Tham khảo chương “Số sê-ri của bộ sạc” trên trang 323.

Thư chứa dữ liệu truy cập gồm các dữ liệu sau:

Khái niệm	Ý nghĩa
Số sê-ri	Số sê-ri của bộ sạc
WiFi MAC	Địa chỉ MAC của giao diện WiFi
GRID MAC	Địa chỉ MAC của giao diện PLC gia đình
Địa chỉ MAC của xe	Địa chỉ MAC của giao diện PLC trên xe

Khái niệm	Ý nghĩa
WiFi SSID	<ul style="list-style-type: none"> <li>- SSID của điểm truy cập WiFi</li> <li>- Tên máy chủ lưu trữ</li> </ul>
WiFi PSK	Khóa mạng
Mật khẩu người dùng gia đình	Mật khẩu ban đầu của Người dùng gia đình cho ứng dụng web
Mật khẩu dịch vụ khách hàng	Mật khẩu dịch vụ khách hàng ban đầu cho ứng dụng web
Mã PIN	Mã số định danh cá nhân
PUK	Mã mở khóa cá nhân

### **i** Thông tin

**Tên máy chủ** bao gồm các yếu tố sau:

Bộ sạc + Số sê-ri (Ví dụ: MobileChargerConnect-1234567)



### **i** Thông tin

Trường bảo mật chứa mã truy cập cần thiết (PIN và PUK). Trường này có một lớp mực đặc biệt phủ lên các mã này. Chỉ sau khi làm ướt trường này dưới dòng nước chảy để làm phai màu mực, mã sẽ hiện ra.

Không chà xát hoặc cào vào trường này trong khi làm ướt, do các mã này có thể bị làm hỏng.

### **PIN và PUK**

PIN và PUK được dùng để mở khóa bộ sạc.

- ▶ Trong trường hợp mất hoặc quên mã PIN đã đặt, hãy mở khóa bộ sạc bằng cách nhập PUK và đặt mã PIN mới.
- ▶ Trong trường hợp mất hoặc quên PUK, hãy liên hệ với đối tác Porsche của mình.

### **Mật khẩu ứng dụng web**

Mật khẩu được sử dụng để đăng nhập vào Web Application.

Khi sử dụng mật khẩu ban đầu:

- ▶ Trong trường hợp mất hoặc quên mật khẩu ban đầu, hãy liên hệ với đối tác Porsche của mình.

Khi sử dụng mật khẩu tự cài đặt:

- ▶ Trong trường hợp mất hoặc quên mật khẩu tự cài đặt, hãy đặt lại bộ sạc về cài đặt tiêu chuẩn khi xuất xưởng và kích hoạt lại mật khẩu ban đầu (**Settings** **⚙️** ▶ **Thiết lập mặc định**).

### **Số sê-ri của bộ sạc**

Số sê-ri của bộ sạc có ở những vị trí sau:

- Trong thư chứa dữ liệu truy cập sau "Số sê-ri"
- Trên nhãn nhận biết (trên mặt sau của thiết bị điều khiển) sau dòng chữ viết tắt "SNSN"
- Trên bộ sạc: **Settings** **⚙️** ▶ **Maintenance** ▶ **Device information**
- Trong ứng dụng web Web Application: **Settings** ▶ **Maintenance** ▶ **Information**

### **Porsche ID**

Khi bộ sạc được ghép nối với Porsche ID của bạn, thông tin về bộ sạc và quy trình sạc có thể được hiển thị trong My Porsche và trong Porsche Connect App.

Khi không sử dụng bộ sạc nữa, ví dụ trong trường hợp bán, hãy:

1. Hủy kết nối giữa bộ sạc với Porsche ID (**Settings** **⚙️** ▶ **Thông tin người dùng**).
2. Đặt lại bộ sạc về cài đặt tiêu chuẩn khi xuất xưởng (**Settings** **⚙️** ▶ **Thiết lập mặc định**).

## **Khái quát**

### **Kết nối trên thiết bị điều khiển**



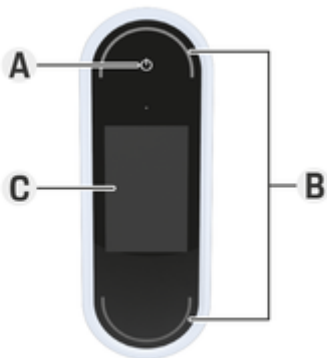
H. 144: Kết nối trên thiết bị điều khiển

- A** Dây cáp cấp nguồn
- B** Cáp xe

Dây cáp cấp nguồn **A** có thể được tháo và lắp ở đầu thiết bị điều khiển.

Dây cáp **B** của xe có thể được tháo và lắp ở cuối thiết bị điều khiển.

## Thiết bị điều khiển bộ sạc



H. 145: Thiết bị điều khiển

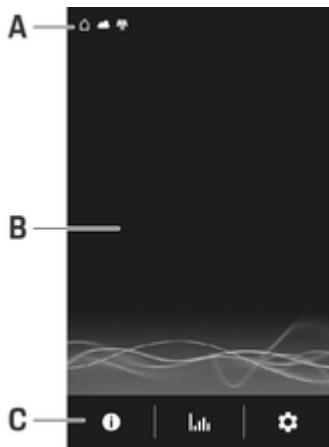
- A** Nút nguồn ☺
- B** Đèn LED trạng thái ○
- C** Hiển thị

Có thể bật và tắt bộ sạc bằng nút Nguồn **A** (H. 145).

Đèn LED trạng thái **B** (H. 145) cho biết trạng thái của bộ sạc.

Quá trình giao tiếp với bộ sạc được hiển thị trên màn hình **C** (H. 145) ở dạng thông báo thông tin và thông báo lỗi.

## Bảng điều khiển hiển thị và điều khiển



H. 146: Màn hình bộ sạc

- A** Thanh trạng thái
- B** Vùng thông tin
- C** Thanh menu

Cảm biến độ sáng kiểm soát độ sáng của màn hình. Độ sáng tự động điều chỉnh theo điều kiện chiếu sáng xung quanh.

### Thanh trạng thái

Thanh trạng thái có thể hiển thị nhiều biểu tượng khác nhau.

Phần khái quát sau cho biết ý nghĩa của các biểu tượng trên thanh trạng thái.

Biểu tượng —	Ý nghĩa
	Có kết nối WiFi
	Có kết nối máy chủ
	Đang tải xuống phần mềm
	Có kết nối với mạng PLC
	Đã kích hoạt điểm phát
	Cấu hình sạc được kích hoạt trong xe. Cấu hình này được tải theo cài đặt.
	Đã kết nối hệ thống quang điện

### Thanh trạng thái

Thanh trạng thái có thể hiển thị nhiều biểu tượng khác nhau.

Phần khái quát sau cho biết ý nghĩa của các biểu tượng trên thanh trạng thái.

Biểu tượng —	Ý nghĩa
	Có kết nối WiFi
	Có kết nối máy chủ
	Đang tải xuống phần mềm
	Có kết nối với mạng PLC
	Đã kích hoạt điểm phát
	Đã tắt chức năng theo dõi tiếp mát (Canada, Mexico)
	Bộ sạc được kết nối với thiết bị quản lý năng lượng
	Cấu hình sạc được kích hoạt trong xe. Cấu hình này được tải theo cài đặt.
	Đã kết nối hệ thống quang điện





### Thông tin

Tùy thuộc vào tầm quan trọng, các biểu tượng nhất định bị trùng lặp và do đó, không hiển thị (biểu tượng có mức độ ưu tiên cao ví dụ: Kết nối PLC < Kết nối WiFi < Thiết bị quản lý năng lượng).

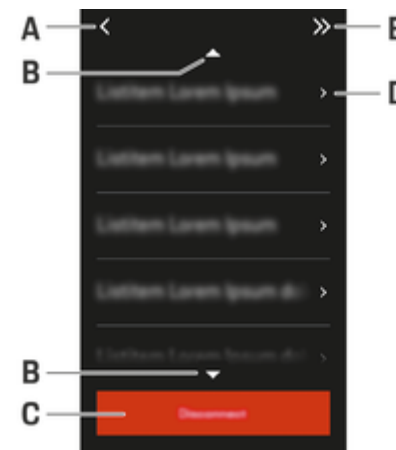
### Thanh menu

Thanh menu có thể hiển thị nhiều biểu tượng khác nhau.

Phần khái quát sau cho biết ý nghĩa của các biểu tượng trên thanh menu.

Biểu tượng —	Ý nghĩa
	Hiển thị thông tin về quá trình sạc hiện tại.
	Hiển thị quá trình sạc
	Cấu hình cài đặt
	Đã có bản cập nhật phần mềm.

### Các tùy chọn điều khiển



H. 147: Các tùy chọn điều khiển

- A** Quay lại
- B** Lên/Xuống
- C** Hoạt động
- D** Chi tiết
- E** Bỏ qua

### Chọn vị trí lắp đặt

#### **⚠ NGUY HIỂM**

Điện giật, cháy

Việc sử dụng bộ sạc không đúng cách hoặc không tuân thủ các hướng dẫn về an toàn có thể gây ra điện giật, đoản mạch, cháy, nổ.

- ▶ Không lắp đặt để gắn tường tiêu chuẩn hoặc để sạc điện ở các khu vực có khả năng cháy nổ.
- ▶ Trước khi lắp để gắn tường tiêu chuẩn hoặc để sạc điện, hãy đảm bảo không có dây cáp điện ở gần lỗ lắp sắp khoan.
- ▶ Để giảm rủi ro cháy nổ – đặc biệt là trong ga-ra – hãy đảm bảo đặt thiết bị điều khiển ở vị trí cao hơn sàn ít nhất 50 cm trong khi sạc.
- ▶ Tuân thủ các quy định về lắp đặt điện, các biện pháp chống cháy nổ, các quy định phóng ngừa tai nạn hiện hành tại địa phương, đồng thời quan sát lối thoát hiểm.

Để gắn tường tiêu chuẩn và để sạc điện được thiết kế để lắp đặt trong nhà và ngoài trời. Khi chọn vị trí lắp đặt phù hợp, cần cân nhắc các tiêu chí sau:

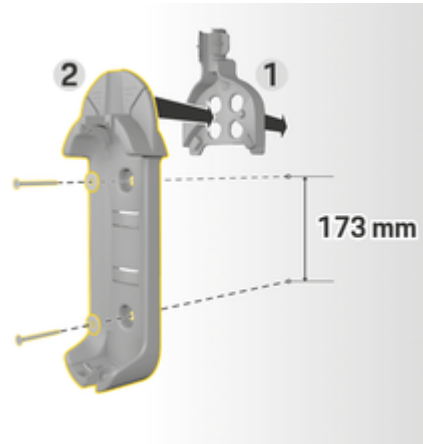
- Tốt nhất nên lắp đặt ổ điện và đường cáp điện, để gắn tường tiêu chuẩn hoặc để sạc điện ở khu vực được che chắn, chống ánh nắng trực tiếp và mưa (ví dụ: ga-ra).
- Cần lựa chọn khoảng cách của ổ cắm điện từ sàn đến trần theo các quy định và tiêu chuẩn của quốc gia nhằm đảm bảo sự thoải mái khi sử dụng.
- Không lắp đặt để gắn tường tiêu chuẩn hoặc để sạc điện bên dưới các vật treo.

- Không lắp đặt để gắn tường tiêu chuẩn hoặc để sạc điện trong chuồng ngựa, chuồng gia súc hoặc những nơi có khí amoniac.
- Lắp đặt để gắn tường tiêu chuẩn hoặc để sạc điện trên bề mặt trơn tru.
- Để đảm bảo bắt chặt, hãy kiểm tra tình trạng của tường trước khi lắp đặt.
- Lắp để gắn tường tiêu chuẩn hoặc để sạc điện càng gần vị trí đỗ xe càng tốt. Cần nhắc đến hướng của xe.
- Lắp để gắn tường tiêu chuẩn và để sạc điện sao cho không gần đường đi, đồng thời dây cáp nguồn điện không được giăng qua lối đi.
- Lắp để gắn tường tiêu chuẩn và để sạc điện sao cho khoảng cách từ phích cắm và ổ điện không vượt quá độ dài của dây cáp nguồn hiện có.

## Dụng cụ yêu cầu

- Ống ni vô
- Khoan điện hoặc khoan búa
- Tua-vít

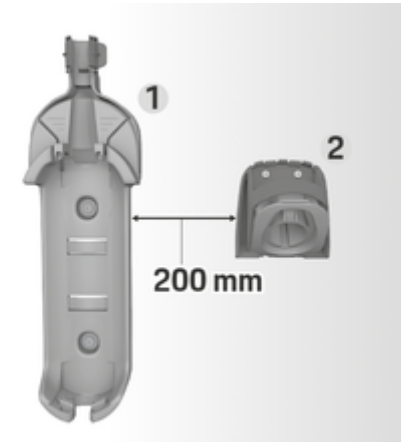
## Lắp đặt Lắp đế gắn tường Lắp đế gắn tường tiêu chuẩn



H. 148: Kích thước khoan

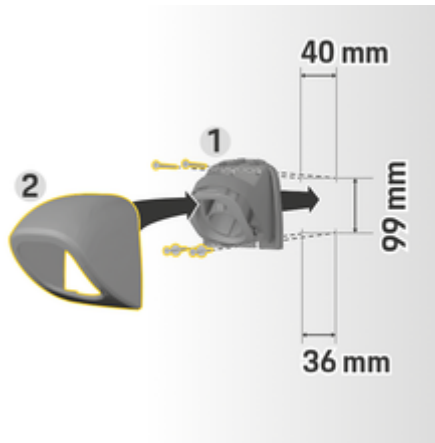
1. Đánh dấu lỗ khoan trên tường.
2. Khoan lỗ lắp và lắp chốt cắm tường.
3. Ấn đế gắn tường tiêu chuẩn 2 (H. 148) vào đường dẫn cáp 1 (H. 148) từ phía trước.
4. Bắt vít đế gắn tường tiêu chuẩn vào tường.

## Lắp chốt đầu nối



H. 149: Khoảng cách giữa đế gắn tường và chốt đầu nối

Khi lắp chốt đầu nối, đảm bảo khoảng cách 200 mm với chốt đến để gắn tường tiêu chuẩn.



H. 150: Kích thước khoan

1. Tháo chốt đầu nối 1 (H. 150) khỏi nắp 2 (H. 150).
2. Đánh dấu lỗ khoan trên tường.
3. Khoan lỗ lắp và lắp chốt cắm tường.
4. Bắt vít chốt đầu nối 1 (H. 150) vào tường.
5. Đặt nắp 2 (H. 150) lên chốt đầu nối 1 (H. 150) từ bên dưới rồi đẩy lên.

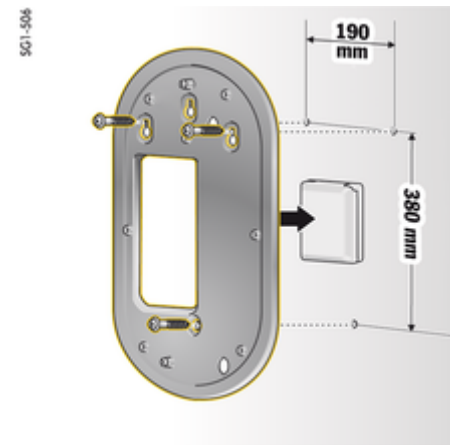
## Gắn thiết bị điều khiển vào đế gắn tường



H. 151: Gắn thiết bị điều khiển

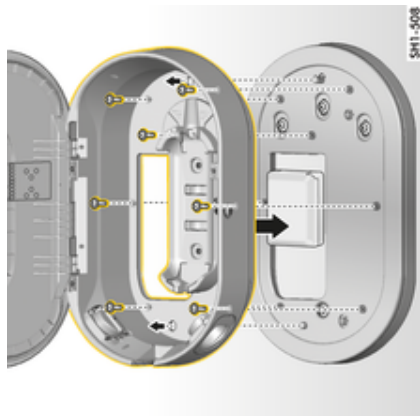
1. Đi dây cáp xe qua lỗ bên dưới của đế gắn tường tiêu chuẩn, đặt phần dưới của thiết bị điều khiển trên vấu chốt và đẩy ngược trở lại để ăn khớp.
2. Luồn dây cáp cấp nguồn qua lỗ phía trên ở đế gắn tường tiêu chuẩn và đẩy khuyên hãm sang trái để khóa lại.
3. Cắm phích cắm của xe vào chi tiết bắt chặt trên đầu nối.

## Lắp đặt không có vòng đệm



H. 152: Kích thước khoan

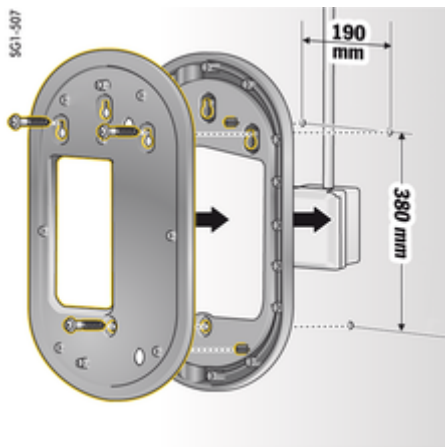
1. Đánh dấu lỗ khoan trên tường.
2. Khoan lỗ lắp và lắp chốt cắm tường.
3. Bắt vít đĩa lắp ráp vào tường.



H. 153: Bắt vít để nạp điện vào đĩa lắp ráp

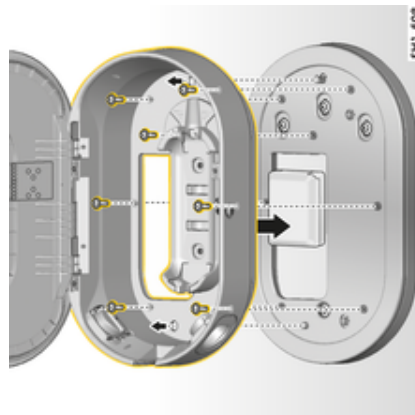
4. Bắt vít để nạp điện vào đĩa lắp ráp.

### Lắp đặt có vòng đệm



H. 154: Kích thước khoan

1. Đánh dấu lỗ khoan trên tường.
2. Khoan lỗ lắp và lắp chốt cắm tường.
3. Bắt vít đĩa lắp ráp và vòng đệm vào tường.



H. 155: Bắt vít để nạp điện vào đĩa lắp ráp

4. Bắt vít để nạp điện vào đĩa lắp ráp.

## Thiết lập

### Dây cáp sạc và dây cáp cấp nguồn của xe

#### Thông tin về phích cắm và cáp sạc xe

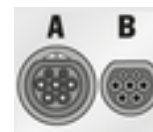
Các cổng sạc trên xe **A** và phích cắm của xe **B** khác nhau tùy vào phiên bản thiết kế xe ở mỗi quốc gia khác nhau .



IEC 62196-2/  
SAE-J1772-2009  
Loại 1 UL/IEC



IEC 62196-2/  
SAE-J1772-2009  
Loại 1



IEC 62196-2  
Loại 2



GB/T 20234.2  
Loại GB

### Chọn dây cáp cấp nguồn

Trong quá trình sạc thông thường với tốc độ sạc tối ưu, chỉ dùng các dây cáp cấp nguồn trong danh sách bên dưới. Công suất sạc tối đa có thể đạt được lên đến 22 kW (tùy vào loại thiết bị, nguồn cấp điện/kết nối trong nhà và bộ sạc trên xe). Khi lái xe ra nước ngoài, luôn mang theo dây cáp nguồn thích hợp để dùng tại quốc gia điểm đến.

#### CHÚ Ý

Chỉ sử dụng dây cáp cấp nguồn được phê duyệt cho quốc gia của bạn. Các dây cáp cấp nguồn sau được phê chuẩn cho các quốc gia cụ thể và được định nghĩa trong bảng bên dưới.

Country	Dây cáp cấp nguồn
Nga, Ukraina	5, 6, 7, 8, C
Abu Dhabi, Israel, Singapore	5, 6, 7, 8

Quy định về dây cáp cấp nguồn tại các quốc gia khác nhau (ví dụ)

Dây cáp cấp nguồn có thể dài 2,5 hoặc 7,5 m, tùy theo thực tế sử dụng. Tại một số quốc gia, tổng chiều dài của dây cáp cấp nguồn, thiết bị điều khiển và dây cáp của xe bị hạn chế, chẳng hạn như 5 m ở Thụy Sĩ và 7,5 m ở Israel và Hoa Kỳ<sup>1</sup>).

1. Trạng thái in. Tìm hiểu thêm thông tin từ đối tác Porsche hoặc nhà cung cấp điện tại địa phương.



### Dây cáp cấp nguồn cho ổ cắm điện công nghiệp



1  
NEMA 14-30



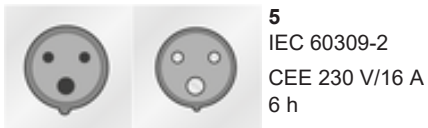
2  
NEMA 14-50



3  
NEMA 6-30



4  
NEMA 6-50



5  
IEC 60309-2  
CEE 230 V/16 A  
6 h



6  
IEC 60309-2  
CEE 230 V/32 A  
6 h



7  
IEC 60309-2  
CEE 400 V/16 A  
6 h



8  
IEC 60309-2  
CEE 400 V/32 A  
6 h



9  
WCZ8 20 A

### Dây cáp cấp nguồn cho ổ điện gia dụng

Nếu không có ổ cắm điện công nghiệp, có thể dùng các dây cáp cấp nguồn trong danh sách bên dưới để sạc với công suất sạc giảm.

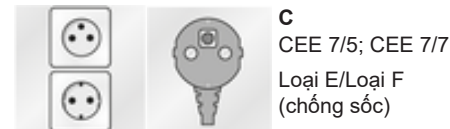
- ▶ Tùy theo quy định tại mỗi quốc gia, ví dụ ở Abu Dhabi, Israel, Singapore và Ấn Độ<sup>1</sup>, việc sạc từ ổ cắm điện sinh hoạt bị **cấm**.



A  
NEMA 5-15  
Loại B



B  
WCZ8 15 A



C  
CEE 7/5; CEE 7/7  
Loại E/Loại F  
(chống sốc)



D  
BS 1363  
Loại G

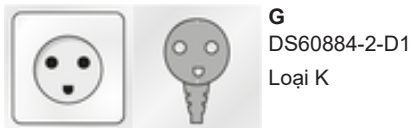
1. Trạng thái in. Tìm hiểu thêm thông tin từ đối tác Porsche hoặc nhà cung cấp điện tại địa phương.



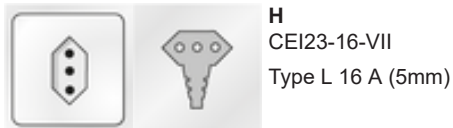
**E**  
AS 3112  
Loại I



**F**  
SEV 1011  
Loại J



**G**  
DS60884-2-D1  
Loại K



**H**  
CEI23-16-VII  
Type L 16 A (5mm)



**I**  
IA6A3 (BS 546)  
Loại M

## NEMA 6-50/NEMA 14-50 (thông tin bổ sung)

### Thông tin

Phạm vi

Khuyến nghị sử dụng này chỉ áp dụng cho các khu vực có tiêu chuẩn NEMA 6-50/NEMA 14-50.

Việc sạc xe có thể tạo ra dòng điện cường độ cao. Vì lý do an toàn, chỉ sử dụng các bộ phận được cho phép dành riêng cho việc sạc, cũng như tuân theo các quy định về lắp đặt cho toàn bộ hệ thống sạc.

### Hướng dẫn an toàn chung

**NGUY HIỂM** Điện giật và cháy!

Việc sử dụng thiết bị sạc không đúng cách và không tuân theo hướng dẫn về lắp đặt và an toàn có thể dẫn đến lỗi đoản mạch, điện giật, cháy nổ hoặc bỏng.

- ▶ Lưu ý các hướng dẫn lắp đặt trong hướng dẫn sử dụng thiết bị sạc.
- ▶ Đặc biệt chú ý đến tất cả các thông báo an toàn và cảnh báo trong đó.
- ▶ Công việc lắp đặt phải được thực hiện bởi nhân viên có kiến thức chuyên môn và đã qua đào tạo cần thiết về điện.
- ▶ Ngoài ra, cần tuân thủ các quy định quốc gia về việc thực hiện lắp đặt điện.

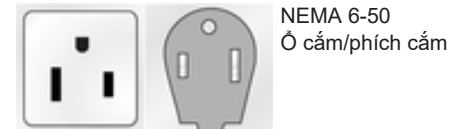
## Yêu cầu về ổ cắm điện

**NGUY HIỂM** Ổ cắm điện lưới không phù hợp

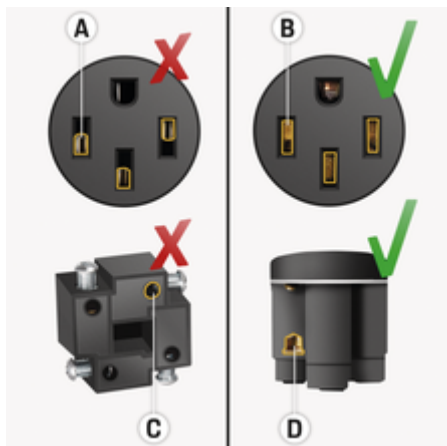
Ổ cắm điện lưới không phù hợp có thể gây đoản mạch, điện giật, cháy nổ hoặc bỏng.

- ▶ Chỉ sử dụng duy nhất loại ổ cắm điện lưới phù hợp cho hệ thống lắp đặt này (xem **Loại ổ cắm/phích cắm điện lưới phù hợp**).
- ▶ Chỉ sử dụng ổ cắm điện lưới đáp ứng các yêu cầu về chất lượng của bề mặt tiếp xúc và khả năng bắt chặt (xem **Yêu cầu về chất lượng của ổ cắm điện lưới**).
- ▶ Tránh tiếp xúc trực tiếp giữa vít đầu cuối và dây điện. Tốt hơn nên sử dụng măng sông bịt đầu dây.
- ▶ Tránh kẹp cáp trên lớp cách điện.

## Loại ổ cắm/phích cắm điện phù hợp



## Yêu cầu về chất lượng của ổ cắm điện



- A** Bề mặt tiếp xúc chỉ bằng một nửa chiều cao của tiếp điểm phích cắm
- B** Bề mặt tiếp xúc bao phủ toàn bộ chiều cao của tiếp điểm phích cắm
- C** Bề mặt tiếp xúc nhỏ giữa vít đầu cuối và dây.
- D** Bề mặt tiếp xúc rộng giữa tấm đầu cuối và dây

## Yêu cầu đối với việc lắp đặt dây cáp

**⚠ NGUY HIỂM** Dây cáp nguồn không phù hợp

Việc sử dụng dây cáp điện không phù hợp hoặc dòng điện quá cao có thể gây lỗi đoản mạch, điện giật, cháy nổ hoặc bỏng.

- ▶ Dây cáp phải có cầu chì 50 amp.
- ▶ Chỉ sử dụng dây cáp đồng có tiết diện ngang tối thiểu là 8 AWG, hoặc tốt nhất là 6 AWG.

## Yêu cầu về lắp đặt ngoài trời

**⚠ NGUY HIỂM** Tiếp xúc trực tiếp với nước mưa

Nếu thiết bị sạc được sử dụng ngoài trời, việc tiếp xúc trực tiếp với nước mưa có thể gây lỗi đoản mạch, điện giật, cháy nổ hoặc bỏng.

- ▶ Tránh để thiết bị sạc tiếp xúc trực tiếp với nước mưa.
- ▶ Sử dụng tủ chống mưa NEMA 3R.

## Thay đổi dây cáp cấp nguồn và dây cáp của xe

**⚠ NGUY HIỂM** Điện giật

Nguy cơ thương tích nghiêm trọng hoặc tử vong do điện giật.

- ▶ Trước khi thay dây cáp cấp nguồn, luôn tháo dây cáp cấp nguồn khỏi ổ điện và rút dây cáp xe khỏi cổng sạc trên xe.
- ▶ Chỉ thay dây cáp trong môi trường khô ráo.
- ▶ Chỉ sử dụng dây cáp đã được Porsche phê chuẩn.

▶ Tham khảo chương “Phạm vi cung cấp” trên trang 322.

Tại một số quốc gia như Na Uy, Ý, Bồ Đào Nha và Tây Ban Nha<sup>1</sup>, chỉ có nhân viên kỹ thuật điện đủ tiêu chuẩn mới có thể thay dây cáp cấp nguồn. Porsche khuyên bạn nên sử dụng đối tác cung cấp dịch vụ Porsche được chứng nhận.

1. Thời gian in. Có thể tìm hiểu thêm thông tin từ đối tác Porsche hoặc nhà cung cấp điện tại địa phương bạn.

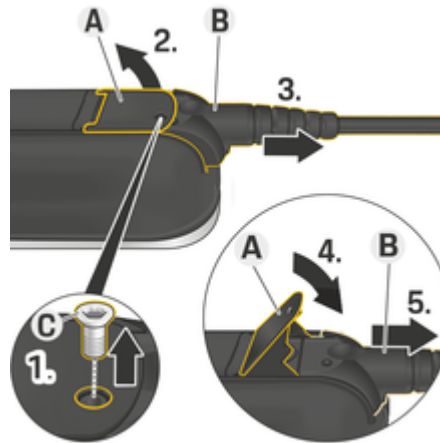


H. 156: Kết nối trên thiết bị điều khiển

Dây cáp cấp nguồn **A** có thể được tháo và lắp ở đầu thiết bị điều khiển.

Dây cáp **B** của xe có thể được tháo và lắp ở cuối thiết bị điều khiển

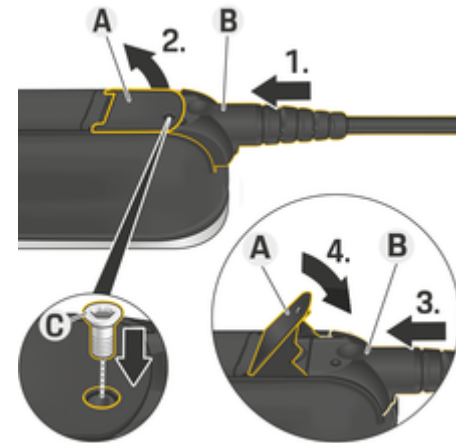
## Ngắt kết nối dây cáp



H. 157: Ngắt kết nối dây cáp

- ✓ Quá trình sạc ắc quy điện áp cao đã xong và phích cắm của xe đã được gỡ khỏi cổng sạc trên xe.
  - ✓ Phích cắm đã được ngắt kết nối khỏi ổ cắm điện.
1. Tháo vít **C** (H. 157) bằng dụng cụ phù hợp.
  2. Cần nâng **A** (H. 157).
  3. Rút phích cắm **B** (H. 157) đến khi bạn cảm thấy có lực cản lần đầu tiên.
  4. Đóng cần **A** (H. 157).
  5. Rút hoàn toàn phích cắm **B** (H. 157).

## Cố định dây cáp



H. 158: Kết nối dây cáp và cố định phích cắm


- ✓ Cần **A** (H. 158) được đóng.
1. Cắm phích cắm **B** (H. 158) vào thiết bị điều khiển đến khi cảm thấy có lực cản lần đầu tiên.
  2. Cần nâng **A** (H. 158).
  3. Ấn toàn bộ phích cắm **B** (H. 158) vào.
  4. Đóng cần **A** (H. 158).
  5. Cố định phích cắm **B** (H. 158) vào thiết bị điều khiển bằng vít **C** (H. 158).

## Hoạt động và cấu hình ban đầu

### Khởi động

Cấu hình cài đặt sau đây trước khi bắt đầu sử dụng bộ sạc lần đầu tiên.

#### Thông tin

- Có thể bỏ qua các tùy chọn có dấu **Skip**. Cài đặt không được cấu hình trong trường hợp này.
- Bạn luôn có thể thay đổi cài đặt trên màn hình .

### Ngôn ngữ và quốc gia

1. Chọn ngôn ngữ yêu cầu trong danh sách. Xác nhận lựa chọn.
2. Chọn quốc gia yêu cầu trong danh sách.
3. Xác nhận ngôn ngữ và quốc gia được chọn.

### Truyền dữ liệu

- ▶ Đọc và xác nhận hướng dẫn truyền dữ liệu.

### Bản cập nhật phần mềm

Để đảm bảo bộ sạc hoạt động đầy đủ và vận hành đáng tin cậy, luôn phải cài đặt phần mềm mới nhất.

- ▶ Chọn và xác nhận cài đặt cho bản cập nhật phần mềm tự động.

**On** Bộ sạc kiểm tra xem có bản cập nhật phần mềm không và tự động tải xuống.

Sau đó, có thể bắt đầu cài đặt ngay hoặc để sau.

**Off** Bộ sạc kiểm tra xem có bản cập nhật phần mềm không và hiển thị tin nhắn tương ứng. Sau đó, có thể bắt đầu tải xuống theo cách thủ công.

Khi hoàn tất tải xuống, sau đó, có thể bắt đầu cài đặt ngay hoặc để sau.

Nếu không thể thiết lập kết nối Internet với bộ sạc, bạn cũng có thể tải xuống bản cập nhật phần mềm theo cách thủ công qua địa chỉ web trong phần **E-Performance** tại <https://www.porsche.com> và cài đặt qua ứng dụng web.

### Chọn mạng

Chọn tùy chọn kết nối với mạng gia đình. Có thể bỏ qua tùy chọn này bằng nút **Skip**. Trong trường hợp này, kết nối với mạng gia đình chưa được thiết lập. Nếu bộ sạc được kết nối với mạng gia đình hiện có thì các chức năng và thông tin nâng cao sẽ hiển thị. Có thể tạo kết nối qua mạng WiFi hoặc Powerline Communication (mạng PLC). Nếu không có mạng gia đình, có thể thiết lập điểm phát trên bộ sạc.

#### Thông tin

Các mạng WiFi công cộng không có mật khẩu bảo vệ không được hỗ trợ và không thể sử dụng được.

### Kết nối qua WiFi


1. Chọn **WiFi**.
2. Chọn mạng gia đình từ danh sách các mạng WiFi đã phát hiện.

3. Nhập và xác nhận mật khẩu.

### Kết nối qua nút ghép cặp PLC

1. Chọn **PLC linking button**.
2. Bắt đầu quá trình kết nối trên modem PLC. Xác nhận bằng cách nhấn **OK** trên bộ sạc. Khi thiết lập được kết nối, xác nhận bằng **Connect**.


➔ Kết nối với mạng PLC đang hoạt động.

Nếu kết nối với mạng PLC được thiết lập, biểu tượng  sẽ hiển thị trong thanh trạng thái.

### Kết nối qua PLC security code

Đối với phương pháp này, cần sử dụng thiết bị có phần mềm điều khiển cho mạng PLC.

1. Để thiết lập kết nối với mạng PLC bằng mã bảo mật, hãy chọn **PLC security code**.
  - ➔ Mã bảo mật hiển thị trên màn hình.
2. Nhập mã bảo mật trong menu có liên quan của phần mềm điều khiển cho mạng PLC để tích hợp bộ sạc trong mạng PLC.
  - ➔ Kết nối với mạng PLC đang hoạt động.

Nếu kết nối với mạng PLC được thiết lập, biểu tượng  sẽ hiển thị trong thanh trạng thái.

#### Thông tin

Đặc điểm của PLC

- Tách riêng các giao diện với xe và với cơ sở hạ tầng
- PLC đến IEEE P1901
- Phích cắm AV gia dụng
- Mã hóa: 128-bit AES
- Dải tần: 2-30 MHz

### Hồ sơ người dùng (ghép nối ID Porsche)

Khi bộ sạc được ghép nối với Porsche ID của bạn, thông tin về bộ sạc và quy trình sạc có thể hiển thị trong My Porsche và trong ứng dụng Porsche Connect.

#### Để ghép nối bộ sạc với ID Porsche của bạn:

- ▶ Trong trình duyệt trên thiết bị của bạn, mở trang web được chỉ định trên màn hình của bộ sạc và nhập mã người dùng.
  - hoặc –
- Quét mã QR hiển thị trên bộ sạc. Bạn có thể quét mã QR theo các cách sau:
  - Dùng ứng dụng Porsche Connect (**Tài khoản của tôi > Thiết bị & cấp sạc > Quét mã QR**).
  - Dùng camera của thiết bị (iOS 11 trở lên. Yêu cầu khác đối với Android).
  - Dùng ứng dụng để quét mã QR.

Nếu bộ sạc đã được ghép nối thành công, Installation assistant sẽ chuyển sang bước tiếp theo.

### Kết nối thiết bị quản lý năng lượng

Nếu sẵn có thiết bị quản lý năng lượng, bạn có thể thiết lập kết nối với thiết bị này. Sau đó, thiết bị quản lý năng lượng tiếp nhận việc điều khiển quá trình sạc.

- ▶ Để biết hướng dẫn về cách kết nối, hãy tham khảo hướng dẫn vận hành của thiết bị quản lý năng lượng.

Nếu không có thiết bị quản lý năng lượng, xe sẽ được sạc ở dòng điện sạc đã nhập vào bộ sạc:


#### ▶ Settings ▶ Adapt charging current

▶ Tham khảo chương “Điều chỉnh dòng điện sạc” trên trang 336.

### Điểm phát

Nếu không thể tích hợp với mạng gia đình, bộ sạc có thể kích hoạt điểm phát và sử dụng điểm phát này để thiết lập kết nối với ứng dụng web của bộ sạc.

- ▶ Để thiết lập điểm phát, nhấp vào **Activate hotspot**.

Sau khi điểm phát được thiết lập, biểu tượng  sẽ xuất hiện trong thanh trạng thái.

### Thông tin

Nếu bạn sử dụng hệ thống Android, bạn có thể cần xác nhận riêng rằng kết nối đã được thiết lập để có thể thiết lập kết nối với điểm phát.

### Điều chỉnh dòng điện sạc

Có thể thiết lập dòng điện sạc được cho phép tối đa cho bộ sạc tại đây nếu không có thiết bị quản lý năng lượng trong mạng gia đình.

Giá trị tối đa trên màn hình được xác định theo loại cáp kết nối.

- ▶ Thiết lập dòng điện sạc đến giá trị tối đa của nguồn cấp lưới điện dùng cho bộ sạc. Dùng **Plus** và **Minus** để thực hiện.
- ▶ Tham khảo chương “Giới hạn dòng điện sạc” trên trang 339.

### Bảo vệ thiết bị

Để ngăn xe không được ủy quyền kết nối với bộ sạc, có thể thiết lập yêu cầu mã PIN.

1. Để kích hoạt lời nhắc mã PIN, hãy chọn **On**.
2. Nhập mã PIN gồm 4 chữ số và xác nhận.
3. Nhập lại mã PIN rồi xác nhận.
  - ▶ Lời nhắc kích hoạt mã PIN được xác nhận.

### Hoàn tất cài đặt

- ▶ Sử dụng **Review** để kiểm tra cài đặt bạn đã nhập rồi hoàn tất quá trình cài đặt.

### Khởi động với ứng dụng web:

Trước khi đưa bộ sạc và Web Application ứng dụng web vào sử dụng hàng ngày, trước tiên phải thiết lập bộ sạc. Tiếp theo, cần thiết lập kết nối giữa thiết bị đầu cuối (máy tính cá nhân, máy tính bảng hoặc điện thoại thông minh) và bộ sạc.

## Các yêu cầu để khởi động lần đầu tiên trong ứng dụng web

Chuẩn bị sẵn thông tin sau khi sử dụng ứng dụng web Web Application lần đầu tiên:

- Truy cập thư chứa dữ liệu của Porsche Mobile Charger Connect để biết cách đăng nhập vào ứng dụng web Web Application của bộ sạc
- Dữ liệu truy cập cho mạng gia đình
- Dữ liệu truy cập cho hồ sơ người dùng (để liên kết với ID Porsche)

Ứng dụng web hỗ trợ các trình duyệt sau:

- Google Chrome, phiên bản 57 trở lên (khuyến dùng)
- Mozilla Firefox, phiên bản 52 trở lên (khuyến dùng)
- Microsoft Internet Explorer, phiên bản 11 trở lên
- Microsoft Edge
- Apple Safari phiên bản 10 trở lên

## Đăng nhập vào bộ sạc

### **i** Thông tin

Bạn sẽ tìm thấy dữ liệu để đăng nhập vào bộ sạc trong thư chứa dữ liệu truy cập đi kèm. Trường bảo mật chứa mã truy cập (PIN và PUK). Trường này có một lớp mực đặc biệt phủ lên các mã này.

Chỉ nhìn thấy các mã khi trường này được làm ướt dưới vòi nước chảy.

Không chà xát hoặc cào vào trường này trong khi tắm nước, do các mã này có thể bị hỏng.

- ✓ Bộ sạc được bật.
  - ✓ Thư chứa dữ liệu truy cập là tài liệu chuyển giao cho khách hàng.
1. Tìm mã PIN trong thư. Để thực hiện điều này, hãy làm ướt trường bảo mật để làm cho mã PIN hiển thị.
  2. Nhập mã PIN.

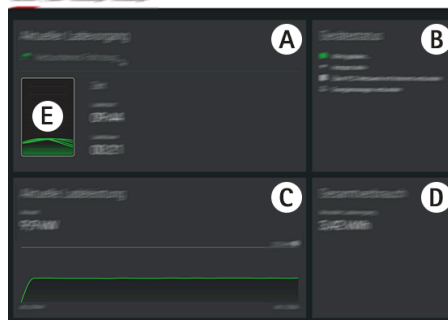
## Bắt đầu thiết lập trên bộ sạc

Bộ sạc được thiết lập theo trình hướng dẫn thiết lập, trình này sẽ hướng dẫn bạn thực hiện các bước cài đặt. Phải hoàn tất quá trình thiết lập trước khi có thể sử dụng bộ sạc đúng cách.

► Tham khảo Hướng dẫn vận hành thiết bị kết nối bộ sạc di động của Porsche để biết chi tiết về cách thiết lập bộ sạc.

## Khái quát

Ứng dụng web cung cấp nhiều tùy chọn cài đặt hơn so với bộ sạc.



H. 159: Bảng điều khiển của ứng dụng web

### A Current charging process

Hiển thị thông tin về quá trình sạc hiện tại, ví dụ như thời gian bắt đầu và khoảng thời gian sạc.

### B Device status

Hiển thị thông tin về thiết bị, ví dụ như:

- Trạng thái sạc hiện tại
- kết nối mạng đã sử dụng
- Trạng thái của kết nối với thiết bị quản lý năng lượng (nếu có)
- bản cập nhật phần mềm đã sẵn có chưa
- Tắt chức năng theo dõi tiếp mát

### C Current charging performance

Dòng điện [tính bằng kilowatt] từ bộ sạc đến tải.

Đặc điểm: Đường cong biểu diễn tiến trình công suất sạc từ khi bắt đầu sạc và tổng mức tiêu thụ năng lượng [tính bằng kilowatt]. Chọn một thời điểm trên đường cong để xem điểm sạc tại thời điểm đó.

### D Consumption

Tổng mức tiêu thụ năng lượng của quá trình sạc hiện tại [tính bằng kilowatt giờ].

### E Charge status

Màu sắc được sử dụng trên bảng điều khiển biểu thị trạng thái sạc của bộ sạc:

- Màu đỏ: Thông báo lỗi
- Màu xanh lam: Tạm dừng sạc
- Màu xanh: Xe đang sạc
- Màu trắng: Không có xe nào được kết nối với bộ sạc

### Vận hành

#### Hướng dẫn vận hành

Tại một số quốc gia, bạn cần báo cho cơ quan có thẩm quyền khi kết nối thiết bị sạc xe điện.

- ▶ Bạn hãy kiểm tra nghĩa vụ thông báo cho cơ quan có thẩm quyền và các yêu cầu pháp lý đối với việc vận hành trước khi kết nối thiết bị sạc.

#### CHÚ Ý

Hư hỏng bộ sạc

- ▶ Luôn đặt bộ sạc lên bề mặt cứng cáp khi sạc.
- ▶ Porsche khuyên bạn nên vận hành bộ sạc ở vị trí để gắn tường tiêu chuẩn hoặc trong để sạc. Tại một số quốc gia, chẳng hạn như Thụy Sĩ<sup>1</sup>, bộ sạc chỉ có thể dùng ở vị trí để gắn tường tiêu chuẩn hoặc trong để sạc.
- ▶ Không nhúng bộ sạc vào nước.
- ▶ Bảo vệ bộ sạc khỏi tuyết và băng.
- ▶ Cẩn thận xử lý bộ sạc và bảo vệ bộ sạc khỏi hư hỏng có thể xảy ra do bị xe cán qua, rơi, kéo, cong hoặc bẹp.
- ▶ Không được mở vỏ bộ sạc.

#### CHÚ Ý

Hư hỏng bộ sạc

Chỉ được vận hành bộ sạc trong phạm vi nhiệt độ từ  $-30^{\circ}\text{C}$  đến  $+50^{\circ}\text{C}$ .

- ▶ Để ngăn hiện tượng quá nhiệt khi vận hành, tránh để bộ sạc liên tục tiếp xúc với ánh nắng trực tiếp. Nếu bộ sạc bị quá nhiệt, việc sạc sẽ tự động dừng lại cho đến khi nhiệt độ trở về khoảng thông thường.
- ▶ Nếu bộ sạc quá nóng hoặc quá lạnh, hãy để bộ sạc dần trở về phạm vi nhiệt độ vận hành và không chủ động làm mát hoặc làm nóng bộ sạc, ví dụ như bằng nước lạnh hoặc dùng máy sấy nóng lên.

### Sạc điện

#### Hướng dẫn sạc

##### Cổng sạc trên xe

Để biết thông tin về cách kết nối và ngắt kết nối dây cáp của xe với cổng sạc trên xe, cũng như trạng thái sạc và kết nối tại cổng sạc trên xe:

- ▶ Tham khảo Hướng dẫn dành cho người lái.

#### NGUY HIỂM

Điện giật, cháy

Nguy cơ bị thương nghiêm trọng hoặc tử vong do cháy hoặc điện giật.

- ▶ Luôn tuân thủ trình tự được quy định cho quy trình sạc.
- ▶ Không rút dây cáp của xe khỏi cổng sạc trên xe trong quá trình sạc điện.
- ▶ Kết thúc quá trình sạc điện trước khi ngắt kết nối dây cáp của xe khỏi cổng sạc trên xe.
- ▶ Không ngắt kết nối bộ sạc khỏi ổ cắm điện trong khi sạc.

Lỗi được hiển thị trên màn hình và được biểu thị bởi LED trạng thái màu đỏ. Thông báo lỗi, nguyên nhân và biện pháp khắc phục được hiển thị.

- ▶ Tham khảo chương “Trục trục” trên trang 350.

1. Thời gian in: Thông tin thêm có sẵn từ đối tác Porsche của bạn.



## Thời gian sạc

Thời gian sạc có thể thay đổi tùy vào các yếu tố sau:

- Ổ cắm điện được sử dụng (ổ cắm điện gia dụng hoặc ổ cắm điện công nghiệp)
- Điện áp lưới điện và dòng điện theo quốc gia cụ thể
- Cài đặt giới hạn dòng điện sạc trên bộ sạc
- Dao động điện áp lưới điện
- Nhiệt độ môi trường xung quanh xe và bộ sạc. Thời gian sạc có thể lâu hơn nếu nhiệt độ ở giới hạn của nhiệt độ xung quanh được cho phép.
  - ▶ Tham khảo chương "Bật và tắt chức năng theo dõi tiếp mát" trên trang 340.
- Nhiệt độ của ác quy điện áp cao và thiết bị điều khiển
- Đã bật chức năng sưởi/làm mát trước khoang hành khách
- Khả năng tải dòng điện của phích cắm nguồn và phích cắm của xe

### **i** Thông tin

Do các hệ thống cấp điện lưới của quốc gia khác nhau, nên các phiên bản dây cáp khác nhau cũng được cung cấp. Điều này có thể khiến không đạt được công suất sạc đầy đủ. Thông tin thêm có sẵn từ đối tác Porsche của bạn.

## Bắt đầu, tạm dừng và kết thúc sạc

### Bắt đầu sạc

1. Cắm phích cắm vào ổ cắm điện.

☉ Nút Nguồn sáng màu trắng.

○ Đèn LED trạng thái sáng lên màu trắng.

➔ Hiển thị bật.

2. Cắm phích cắm của xe vào cổng sạc trên xe.

☉ Nút Nguồn sáng màu trắng.

○ Đèn LED trạng thái nhấp theo nhịp màu trắng.

Để biết thông tin về cách kết nối dây cáp của xe với cổng sạc trên xe:

▶ Tham khảo Hướng dẫn dành cho người lái.

➔ Sau khi tự thử nghiệm thành công và khi đã thiết lập kết nối, LED trạng thái sẽ sáng lên màu trắng.

3. Quá trình sạc tự động bắt đầu.

☉ Nút Nguồn sáng màu trắng.

○ Đèn LED trạng thái nhấp theo nhịp màu xanh lục.

4. Sau vài phút, bộ sạc chuyển sang chế độ chờ.

➔ Xe bắt đầu sạc.

### **i** Thông tin

- Quá trình sạc được xe điều khiển. Chỉ có thể dừng quá trình sạc trên xe.
- Trạng thái sạc hiển thị trên màn hình trừ khi bộ sạc ở chế độ chờ. Có thể bật lại màn hình bằng cách nhấn nút Nguồn ☉.
- Tính năng tắt khi có quá nhiệt ngăn hiện tượng quá nhiệt trong khi sạc.

## Tạm dừng sạc

Quá trình sạc được xe điều khiển và đôi khi có thể tạm dừng, ví dụ như để tối ưu hóa lượng điện tiêu thụ.

Quá trình sạc tạm dừng được biểu thị trên thiết bị điều khiển:

- ☉ Nút Nguồn sáng màu trắng.

○ Đèn LED trạng thái nhấp màu xanh dương.

Hiển thị bật.

Xe bắt đầu tự động sạc lại. Có thể dừng quá trình sạc trên xe.

## Dừng sạc

✓ Quá trình sạc đã hoàn tất thành công.

☉ Nút Nguồn sáng màu trắng.

○ Đèn LED trạng thái sáng lên màu xanh lục.

Màn hình bật lên và hiển thị thông tin về quá trình sạc hoàn tất. Sau vài phút, bộ sạc chuyển sang chế độ chờ.

▶ Rút phích cắm khỏi cổng sạc của xe.

## Giới hạn dòng điện sạc

Thiết bị điều khiển tự động phát hiện điện áp và dòng điện khả dụng. Có thể thiết lập công suất sạc bằng tính năng giới hạn dòng điện sạc. Thiết lập dòng điện sạc sau cùng được lưu lại. Để ngăn hệ thống lắp đặt điện bị quá nhiệt, dòng điện sạc tự động được giới hạn ở 50% mức cung cấp khi sử dụng ổ cắm điện sinh hoạt.

Nếu bộ sạc được kết nối với một thiết bị quản lý năng lượng, dòng điện sạc bị giới hạn ngang bằng các giá trị đặt sẵn trong thiết bị quản lý năng lượng. Ngoài ra, các thiết bị tiêu thụ điện khác trong mạng gia đình, chẳng hạn như máy sưởi điện hoặc bình nóng lạnh, cũng có thể làm giảm dòng điện sạc tối đa hiện có. Công suất sạc không bao giờ được cao hơn công suất tối đa của mạch điện đang dùng. Nếu bạn không chắc chắn về điều này, hãy liên hệ với nhân viên kỹ thuật điện đủ tiêu chuẩn.

### Plug and Charge

Với Plug & Charge, có thể sạc xe bằng cách sử dụng cơ sở hạ tầng sạc thích hợp tại khu vực cá nhân và công cộng, mà không cần bắt đầu quá trình sạc theo cách thủ công tại trạm sạc điện hoặc bộ sạc. Quá trình sạc được lập hóa đơn tự động theo hợp đồng với nhà cung cấp dịch vụ sạc.

- ✓ Đã bật chức năng sạc thông minh trên xe.
- ✓ Cơ sở hạ tầng sạc thích hợp cho Plug & Charge.
- ✓ Hợp đồng với nhà cung cấp dịch vụ sạc bao gồm Plug & Charge.

### Private Plug & Charge

Khi Mobile Charger Connect bảo vệ thiết bị được kích hoạt, quá trình sạc chỉ có thể được bắt đầu bằng cách nhập mã PIN ▶ Tham khảo chương “Bảo vệ thiết bị” trên trang 336. Điều này phục vụ để bảo vệ khỏi truy cập trái phép.

### Danh sách xe (đăng ký xe)

Sau khi nhập mã PIN, bạn sẽ được hỏi liệu chiếc xe Mobile Charger Connect có nên được đưa vào danh sách xe hay không. Nếu đồng ý, việc kết nối một lần chiếc xe với Mobile Charger Connect Xe được nhận dạng ngay sau khi cắm cáp sạc và quá trình sạc được kích hoạt. Do đó, không còn cần thiết phải nhập mã PIN cho tất cả các quá trình sạc tiếp theo với phương tiện này.

### Mở danh sách xe

Một số phương tiện có thể Mobile Charger Connect được đăng ký. Mỗi phương tiện được liệt kê riêng trong danh sách phương tiện.

- ▶ **Settings**  ▶ **Danh sách xe** lựa chọn.

Các phương tiện có thể bị xóa khỏi danh sách này.

### Bật và tắt chức năng theo dõi tiếp mát

#### **NGUY HIỂM**

Điện giật, đoản mạch, cháy, nổ

Việc sử dụng bộ sạc mà không có chức năng theo dõi tiếp mát đang hoạt động có thể gây ra điện giật, đoản mạch, cháy, nổ.

- ▶ Nên sử dụng bộ sạc trong các hệ thống cấp điện lưới có nối đất.
- ▶ Chỉ vô hiệu hóa chức năng theo dõi tiếp mát trong các hệ thống cấp nguồn điện lưới không nối đất.
- ▶ Bật chức năng theo dõi tiếp mát trong các hệ thống cấp nguồn điện lưới có nối đất.

▶ Tham khảo chương “Kích hoạt theo dõi tiếp mát” trên trang 340.


### Bật chức năng theo dõi tiếp mát

- ✓ Thông báo lỗi trên màn hình cho biết dây dẫn bảo vệ bị gián đoạn hoặc không có.
- ✓ Chức năng ground monitoring đã làm gián đoạn quá trình sạc hoặc ngăn quá trình này bắt đầu.

 Nút Nguồn sáng lên màu đỏ.


 Đèn LED trạng thái sáng lên màu đỏ.


Thông báo lỗi hiển thị trên màn hình.

1. Để tắt chức năng theo dõi tiếp mát, xác nhận thông báo lỗi bằng **Confirm**.
2. Nhấn và giữ nút Nguồn  trong 3 giây.
3. Xác nhận tắt chức năng theo dõi tiếp mát bằng **Confirm**.
  - ➔ Quá trình giám sát vẫn dừng trong các quy trình sạc tiếp theo.

### Kích hoạt theo dõi tiếp mát

Nếu bộ sạc được vận hành trong hệ thống cấp nguồn điện lưới có nối đất, hãy kích hoạt chức năng ground monitoring.

1. Mở menu **Ground monitoring** (**Settings**  ▶ **Ground monitoring**).
2. Bật chức năng theo dõi tiếp mát bằng **Activate**.

Khi chức năng theo dõi tiếp mát được bật, mục menu **Ground monitoring** sẽ không xuất hiện trong menu **Settings** .

## Đăng nhập vào ứng dụng web

Để sử dụng chuẩn ứng dụng web, chọn loại người dùng Home user. Người dùng Dịch vụ khách hàng có tùy chọn cài đặt bổ sung và dành riêng cho đối tác Porsche của bạn cho mục đích bảo dưỡng.

✓ Dữ liệu truy cập để xử lý.

1. Chọn người dùng thích hợp trong trường **User**.
2. Nhập mật khẩu (từ thư chứa dữ liệu truy cập).

### **i** Thông tin

Sau 25 phút không hoạt động, người dùng sẽ tự động được đăng xuất khỏi ứng dụng web.

## Mở ứng dụng web

Trên ứng dụng web được thiết kế riêng cho từng bộ sạc, có các tùy chọn cấu hình bổ sung và thông tin chi tiết về các quá trình sạc hiện tại.

### **i** Thông tin

- Tùy theo trình duyệt bạn đang sử dụng, ứng dụng web có thể sẽ không mở ngay lập tức. Thay vào đó, thông báo về cài đặt bảo mật của trình duyệt có thể sẽ hiển thị trước.
- Bạn có thể phải nhập khóa mạng khi mở ứng dụng web. Điều này tùy thuộc vào hệ điều hành của thiết bị.

## Mở ứng dụng web qua điểm phát

Có thể mở ứng dụng web trên một thiết bị (máy tính, máy tính bảng hoặc điện thoại thông minh) qua điểm phát do bộ sạc thiết lập.

Để thiết lập điểm phát:

- ▶ Tham khảo chương “Điểm phát” trên trang 336.
- ▶ Để mở ứng dụng web khi đã bật điểm phát, hãy nhập địa chỉ IP sau vào thanh địa chỉ của trình duyệt: 192.168.0.1

## Mở ứng dụng web qua WiFi

Có thể mở ứng dụng web trong trình duyệt trên thiết bị (máy tính, máy tính bảng hoặc điện thoại thông minh) được đăng nhập vào cùng một mạng gia đình với bộ sạc.

- Nhập địa chỉ IP hiện tại của bộ sạc trong thanh địa chỉ của trình duyệt. Bạn sẽ tìm thấy địa chỉ IP trong **Settings**
  - ▶ **Network** ▶ **Network information**.
- hoặc -  
Nhập tên máy chủ của bộ sạc trong thanh địa chỉ của trình duyệt. Bạn sẽ thấy tên máy chủ trong thư chứa dữ liệu truy cập.

▶ Để biết thông tin về ứng dụng web, xem hướng dẫn sử dụng tại <https://www.porsche.com/international/aboutporsche/e-performance/help-and-contact/>

## Sử dụng ứng dụng web

### Mở ứng dụng web

#### Thiết lập kết nối với bộ sạc

Nếu bộ sạc đã được tích hợp vào mạng hiện có của gia đình bạn (WiFi hoặc Powerline Communication) trong khi thiết lập, có thể truy cập ứng dụng web bằng địa chỉ IP được gán.

Để biết thông tin về thiết lập kết nối mạng, ▶ Tham khảo chương “Kết nối” trên trang 342..

#### Mở ứng dụng web qua WiFi

✓ Thiết bị của bạn và bộ sạc ở trong cùng một mạng WiFi.

1. Mở trình duyệt.
2. Trong thanh địa chỉ trình duyệt: Nhập địa chỉ IP đã được chỉ định trong quá trình cấu hình (trong **Settings** ▶ **Networks** ▶ **Network information** trên bộ sạc) hoặc tên máy chủ của bộ sạc (trong thư chứa dữ liệu truy cập).

#### Mở ứng dụng web qua mạng Powerline Communication

✓ Thiết bị và bộ sạc phải ở trong cùng một mạng thông qua kết nối PLC.

1. Mở trình duyệt.
2. Trong thanh địa chỉ trình duyệt: Nhập địa chỉ IP đã được chỉ định trong quá trình cấu hình (trong **Settings** ▶ **Networks** ▶ **Network information** trên bộ sạc).

## Mở ứng dụng web qua điểm phát

Hoặc có thể thiết lập kết nối qua điểm phát. Bộ sạc có điểm truy cập không dây (điểm phát), được bảo vệ bằng mật khẩu và yêu cầu đăng nhập theo cách thủ công. Thiết bị có thể kết nối WiFi có thể kết nối với điểm phát và sau đó, có thể truy cập vào ứng dụng web của bộ sạc. Trong ứng dụng web, bạn có thể tích hợp bộ sạc trong mạng gia đình bất kỳ lúc nào.

- ✓ Bộ sạc được bật. Bộ sạc tự động bật điểm phát WiFi của mình.
- 1. Trên thiết bị của bạn, nhấn vào biểu tượng mạng hoặc WiFi trên thanh tác vụ hoặc bảng thông báo.
- 2. Chọn mạng WiFi của bạn từ danh sách. Tên của mạng WiFi giống với SSID trong thư chứa dữ liệu truy cập và được hiển thị dưới dạng **ICCPD-#####**.
- 3. Nhấn nút Kết nối.
- 4. Trong trường **Security code**, nhập mã bảo mật (được trình bày dưới dạng **WiFi PSK** trong thư chứa dữ liệu truy cập.
  - ➔ Kết nối với mạng WiFi được thiết lập.Lưu ý: Trong hệ điều hành Windows 10, bạn sẽ được yêu cầu nhập mã PIN bộ định tuyến trước. Thay vào đó, chọn liên kết Kết nối bằng cách sử dụng mã bảo mật mạng, rồi nhập mã.
- 5. Mở trình duyệt.
- 6. Nhập địa chỉ IP sau đây vào thanh địa chỉ của trình duyệt: **192.168.0.1**.

## Thông tin

Nếu thiết bị của bạn ở trong mạng gia đình, thiết bị sẽ không thể truy cập vào ứng dụng web qua địa chỉ IP điểm phát (192.168.0.1) nữa, mà chỉ có thể truy cập qua địa chỉ IP được chỉ định tự động hoặc tên máy chủ của bộ sạc.

- Mục nhập địa chỉ IP hiện có:
  - Web Application: **Maintenance** ▶ **Device information**
  - Bộ sạc: **Settings** ⚙️ ▶ **Networks** ▶ **Network information**
- Mục nhập tên máy chủ lưu trữ hiện có:
  - Thư chứa dữ liệu truy cập
  - Web Application: **Maintenance** ▶ **Device information**

## Chuyển đến ứng dụng web

## Thông tin

Tùy theo trình duyệt bạn đang sử dụng, ứng dụng web có thể sẽ không mở ngay lập tức. Thay vào đó, thông báo về cài đặt bảo mật của trình duyệt có thể sẽ hiển thị trước.

1. Trong thông tin cảnh báo của trình duyệt được hiển thị, chọn **Advanced**.
2. Trong hộp thoại tiếp theo, chọn **Add exception**.
  - ➔ Chứng chỉ SSL được xác nhận và ứng dụng web mở ra.

## Lịch sử sạc


Tại đây, quá trình sạc của bộ sạc được liệt kê theo trình tự thời gian. Mọi quá trình sạc đều sẵn có các thông tin sau:

- Thời gian
- Thời gian sạc
- Mức tiêu thụ
- Chi phí (nếu có kết nối thiết bị quản lý năng lượng)
- Tài khoản đã sử dụng (nếu tài khoản đã được chọn trong quá trình sạc chủ động)

Ứng dụng web cung cấp tùy chọn xuất lịch sử sạc dưới dạng tệp Excel.

1. Chọn **Export charging history**.
2. Điều hướng đến vị trí lưu trữ mong muốn và lưu tệp.

## Thông tin

Với mỗi quá trình sạc chủ động, các tài khoản **Work** và **Private** đều khả dụng để lựa chọn cho quá trình đánh giá. Bạn có thể chọn tài khoản trong thông tin về **Charging process** hiện tại (biểu tượng  trong thanh menu) trên bộ sạc. Lựa chọn của bạn cũng được áp dụng trong quá trình sạc tiếp theo nên bạn cần thay đổi lựa chọn nếu cần.

## Kết nối

Để truy cập ứng dụng web của bộ sạc, thông tin và cài đặt, thiết bị của bạn và bộ sạc phải ở trong mạng gia đình (qua WiFi hoặc kết nối PLC). Có thể sử dụng tất cả các chức năng của ứng dụng web qua kết nối Internet của mạng gia đình.

Nếu nơi sử dụng không sẵn có mạng gia đình, thiết bị của bạn (máy tính cá nhân, máy tính bảng hoặc điện thoại thông minh) có thể đăng nhập trực tiếp vào bộ sạc qua điểm phát WiFi. Tuy nhiên, trong trường hợp không có kết nối Internet và chỉ sẵn có các chức năng được cài đặt cục bộ.

### **i** Thông tin

Nếu thiết bị của bạn ở trong mạng gia đình, thiết bị sẽ không thể truy cập vào ứng dụng web qua địa chỉ IP điểm phát (192.168.0.1) nữa, mà chỉ có thể truy cập qua địa chỉ IP được chỉ định tự động hoặc tên máy chủ của bộ sạc.

- Mục nhập địa chỉ IP hiện có:
  - Web Application: **Maintenance** ▶ **Device information**
  - Bộ sạc: **Settings** ⚙ ▶ **Networks** ▶ **Network information**
- Mục nhập tên máy chủ lưu trữ hiện có:
  - Thư chứa dữ liệu truy cập
  - Web Application: **Maintenance** ▶ **Device information**

### **i** Thông tin

Nếu bạn chuyển từ chế độ điểm phát sang kết nối mạng WiFi hoặc ngược lại trong quá trình thiết lập, bạn sẽ cần đăng nhập lại.

Bạn có thể chuyển sang mạng gia đình với mạng Powerline Communication trong khi kết nối với điểm phát đang hoạt động mà không cần khởi động lại.

### **i** Thông tin

Nếu bạn sử dụng ứng dụng web, chỉ nên tắt kết nối điểm phát khi có thể kết nối với mạng gia đình.

- ▶ Chọn kết nối mạng mong muốn (điểm phát, WiFi, Kết nối mạng qua đường dây điện).

### Điểm phát

Có thể kết nối trực tiếp thiết bị của bạn với bộ sạc qua điểm phát WiFi tích hợp.

1. Chọn **Configure hotspot**.
2. Trong Cài đặt, nhập tên mạng và mã bảo mật của điểm phát.
- ▶ Để biết thông tin về cách thiết lập kết nối điểm phát, ▶ Tham khảo chương “Mở ứng dụng web” trên trang 341..

### WiFi

### **i** Thông tin

Nếu bộ sạc đã được kết nối với thiết bị của bạn qua điểm phát, bạn không thể đồng thời thiết lập kết nối với mạng WiFi. Bạn phải tắt điểm phát trước.

1. Bật WiFi.
2. Chọn tùy chọn **Connect to network**.
3. Chọn mạng của bạn từ danh sách và nhập **Security code**. **Other network**: Chọn mạng này nếu bạn đang sử dụng mạng không có trong danh sách.

4. Chọn xem có chỉ định địa chỉ IP tự động (được khuyến nghị) hay không.

- ▶ Địa chỉ IP xuất hiện khi kết nối với mạng được thiết lập.

Trạng thái **Connected** xuất hiện cạnh mạng này trên danh sách.

### Quản lý mạng WiFi

Tùy chọn	Giải thích
<b>Other network</b>	▶ Chọn tùy chọn này nếu bạn đang sử dụng mạng không có trong danh sách.
<b>Manage known networks</b>	▶ Chọn <b>Delete</b> để xóa các mạng đã lưu. Theo cách này, bộ sạc sẽ ở đúng mạng.

### Ngắt kết nối khỏi mạng

1. Chọn mạng hiện được kết nối.
2. Chọn **Disconnect** để ngắt kết nối khỏi mạng WiFi.

### Định cấu hình kết nối mạng

1. Chọn mạng hiện được kết nối.
2. Chọn **Configure** để chuyển cài đặt thành địa chỉ IPv4 và máy chủ DNS.

### **i** Thông tin

Kết nối mạng sử dụng dải tần 2,4 GHz. Trong trường hợp kết nối gặp sự cố, hãy vô hiệu hóa giải tần 5 GHz trên bộ định tuyến mạng.

## Kết nối mạng qua đường dây điện

Thay vì sử dụng mạng WiFi, có thể kết nối bộ sạc của bạn với mạng gia đình qua kết nối PLC. Để thực hiện điều này, nguồn cấp điện lưới hiện tại được sử dụng nhằm thiết lập mạng cục bộ để truyền dữ liệu. Bộ sạc được đăng ký dưới dạng ứng dụng khách trong mạng PLC.

Để thiết lập kết nối, có thể kết nối bộ sạc và modem PLC với nhau qua các nút ghép cặp của chúng. Trong trường hợp này, bộ sạc tự động được ghép cặp với modem PLC. Một phương thức kết nối khác là nhập mã bảo mật của bộ sạc trên modem PLC.

1. Bật **Powerline Communication (PLC)**.
  2. Thêm bộ sạc vào mạng PLC:
    - **Tùy chọn 1:** Với nút ghép cặp:
      - a. Trong ứng dụng web, chọn **Establish connection with PLC push method**.
      - b. Chọn **Start pairing**.
      - c. Để thiết lập kết nối, nhấn nút ghép cặp trên modem PLC trong 2 phút.
      - d. Chọn nút **Connect** để xác nhận ghép nối.
    - **Tùy chọn 2:** Bằng cách nhập mã bảo mật PLC:
      - a. Chọn tùy chọn **Establish connection with PLC security code**. Mã bảo mật được hiển thị.
      - b. Nhập mã bảo mật trong cài đặt của modem PLC.
- ➔ Bộ sạc được tích hợp trong mạng PLC và kết nối được thiết lập.

## Kết nối PLC với xe

Chức năng này chỉ hiển thị cho và được định cấu hình bởi người dùng **Customer service**. Nếu tắt kết nối PLC, sẽ không có thêm dữ liệu nào được truyền đến xe qua dây cáp.

Chế độ này là bắt buộc, ví dụ: trong các phép đo nhất định.

Khi chức năng truyền dữ liệu đang hoạt động, quá trình sạc sẽ sử dụng giao thức sạc (giao tiếp cấp cao) làm tiêu chuẩn.

Khi chức năng truyền dữ liệu được tắt, quá trình sạc dựa trên các thông số điện (điều biến độ rộng xung).

## Thêm thiết bị quản lý năng lượng

Nếu thiết bị quản lý năng lượng đảm nhiệm chức năng điều khiển sạc, trước tiên, phải kết nối bộ sạc (thiết bị EEBus) và thiết bị quản lý năng lượng với nhau. Có thể thiết lập kết nối trong ứng dụng web của thiết bị quản lý năng lượng và ứng dụng web của bộ sạc (hoặc trực tiếp trên bộ sạc).

## Thiết lập kết nối với bộ sạc trên thiết bị quản lý năng lượng

➤ Quy trình thiết lập kết nối với bộ sạc được mô tả trong chương "Thêm thiết bị EEBus" trong hướng dẫn về ứng dụng web cho Thiết bị quản lý năng lượng gia đình của Porsche.

## Thiết lập kết nối với thiết bị quản lý năng lượng trên bộ sạc

- ✓ Bộ sạc và thiết bị quản lý năng lượng ở trong cùng một mạng.
1. Trong ứng dụng web của bộ sạc, điều hướng đến **Connections ▶ Energy manager**.
    - ➔ Thiết bị quản lý năng lượng được hiển thị trong danh sách **Available energy managers**.
  2. Chọn và mở rộng thiết bị quản lý năng lượng.
  3. Chọn **Pair device**.
    - ➔ Kết nối được kiểm tra.
  4. Trong hộp thoại **Establish connection** hãy kiểm tra định danh của thiết bị quản lý năng lượng thêm lần nữa bằng số ID (SKI), rồi chọn **Connect**.
    - ➔ Thiết bị quản lý năng lượng được kết nối thành công và trạng thái **Energy manager connected** sẽ được hiển thị. Cài đặt thiết bị quản lý năng lượng (ví dụ: thông tin về dòng điện sạc, chức năng chống quá tải, sạc tối ưu và cài đặt biểu giá) được lựa chọn bởi bộ sạc.

### Ngắt kết nối khởi thiết bị quản lý năng lượng:

- Trong ứng dụng web của bộ sạc, điều hướng đến **Connections** ▶ **Energy manager**.
  - Thiết bị quản lý năng lượng đã kết nối sẽ được hiển thị với trạng thái **Energy manager connected**.
- Chọn **Disconnect**.
  - Bộ sạc được ngắt kết nối khởi thiết bị quản lý năng lượng.

### Ghép nối hồ sơ người dùng

#### Thông tin

Để truyền dữ liệu đến tài khoản ID Porsche của bạn, thiết bị phải được kết nối Internet.

Trong tài khoản ID Porsche của mình, bạn cũng có thể truy xuất thông tin về quá trình sạc. Để thực hiện điều này, phải ghép nối bộ sạc với ID Porsche.

- Chọn nút **Link user profile**.
  - Hộp thoại **Link user profile** mở ra.
- Tùy thuộc vào việc có kết nối Internet hay không, hãy chọn tùy chọn sau (xem phần "Tùy chọn kết nối Internet").
- Trên trang web tài khoản ID Porsche, nhập dữ liệu đăng nhập (ID Porsche, mật khẩu) của bạn.

### Tùy chọn kết nối Internet

Tùy chọn	Giải thích
<b>To My Porsche</b>	<ul style="list-style-type: none"> <li>✓ Ứng dụng web được kết nối Internet.</li> <li>▶ Bạn sẽ được chuyển thẳng đến tài khoản ID Porsche của mình.</li> </ul>
<b>More options</b>	<ul style="list-style-type: none"> <li>✓ Ứng dụng web không được kết nối Internet.</li> <li>▶ Nếu thiết bị di động của bạn có kết nối Internet, hãy quét mã QR được hiển thị hoặc nhập thủ công URL được hiển thị vào trình duyệt.</li> </ul>

### Cài đặt Hệ thống

#### Chế độ demo

Cài đặt này chỉ hiển thị cho người dùng Customer service. Trong chế độ demo, các chức năng của bộ sạc có thể hiển thị một cách tiện lợi và mô phỏng lại quá trình sạc. Cài đặt đã thực hiện trong chế độ demo không được áp dụng.

- ✓ Người dùng **Customer service** được đăng nhập.
- ▶ Bật chức năng này.

Lần tiếp theo bạn đăng nhập vào ứng dụng web, chế độ demo sẽ được tắt thêm lần nữa.

### Đổi mật khẩu

Bạn có thể thay đổi mật khẩu đăng nhập cho ứng dụng web. Mật khẩu mới đã chọn sẽ ghi đè mật khẩu ban đầu khởi thư chứa dữ liệu truy cập.

- ▶ Chọn **Change** và nhập mật khẩu mới.

### Bật chức năng bảo vệ thiết bị

Lời nhắc nhập mã PIN sẽ bảo vệ bộ sạc của bạn và tránh để những cá nhân không được phép kết nối xe với bộ sạc của bạn.

- Bật chức năng này.
- Nhập mã PIN gồm 4 chữ số và xác nhận.
- Nhập lại mã PIN rồi xác nhận.
  - ▶ Lời nhắc kích hoạt mã PIN được xác nhận.

Nhập mã PIN này để mở khóa bộ sạc.

### Bật mã PIN ứng dụng khách.

Ngoài ra, bạn có thể tạo mã PIN ứng dụng khách cho một người dùng khác.

- ▶ Quy trình này giống với khi bạn chỉ định mã PIN để bảo vệ thiết bị.

#### Thông tin

Người dùng ứng dụng khách sẽ không thể định cấu hình bộ sạc.

### Kiểm soát mức tiêu thụ năng lượng

Bật chế độ chờ để tiết kiệm điện năng. Chế độ chờ bắt đầu ngay khi kết thúc quá trình sạc.

- ▶ Bật **Standby mode**.
  - Thiết bị cần thời gian để thoát khỏi chế độ chờ và vào trạng thái sẵn sàng sử dụng một lần nữa.



## **i** Thông tin

Bộ sạc tự động chuyển sang chế độ chờ sau một thời gian dài không hoạt động. Đầu tiên, độ sáng của màn hình được giảm bớt, sau đó màn hình sẽ tắt. Nhấn nút Nguồn để khởi động lại.

## Nhập ngôn ngữ và quốc gia

Trường	Giải thích
<b>Ngôn ngữ</b>	Chọn ngôn ngữ cho ứng dụng web.
<b>Country</b>	Quốc gia sử dụng. Cài đặt cấu hình thay đổi tùy theo quốc gia. Nếu bạn nhập quốc gia không phải là nơi sử dụng thực tế, một số cài đặt có thể không sử dụng được.

## Nhập ngày và thời gian

Trường	Giải thích
<b>Ngày và thời gian</b>	Khi có kết nối mạng, ngày và thời gian được áp dụng tự động. <b>Múi giờ:</b> Có thể được lựa chọn bằng tay. <b>Cài đặt thời gian:</b> Nhập thời gian nếu không có thời gian mạng để tham chiếu.

## Units

Chọn thông số và thiết bị bạn muốn bộ sạc sử dụng.

## Hiện thị thiết bị

Cài đặt này xác định độ sáng hiển thị của bộ sạc.

## Sạc điện

### Trạng thái điện lưới

Cài đặt này chỉ hiển thị cho người dùng **Customer service**. Bộ sạc tự động phát hiện thông tin về trạng thái điện lưới được hiển thị tại đây.

Hiện thị	Giải thích
<b>Pha điện lưới</b>	Số lượng pha trong dây cáp cấp nguồn.
<b>Cable type</b>	Loại dây cáp sạc điện của xe. Loại dây cáp cung cấp thông tin quan trọng để thiết lập dòng điện sạc tối đa.
<b>Hoạt động hạn chế</b>	Hình này cho biết các cảm biến công suất sạc nào bị hạn chế do quá nhiệt: <ul style="list-style-type: none"> <li>– 0: Quá nhiệt bộ vi điều khiển</li> <li>– 1: Quá nhiệt rô le</li> <li>– 2: Quá nhiệt bên trong</li> <li>– 3: Quá nhiệt cảm biến dây cáp cơ sở hạ tầng 1</li> <li>– 4: Quá nhiệt cảm biến dây cáp cơ sở hạ tầng 2</li> </ul>



### Theo dõi tiếp mát



Điện giật, đoản mạch, cháy, nổ

Việc sử dụng bộ sạc mà không có chức năng theo dõi tiếp mát đang hoạt động có thể gây ra điện giật, đoản mạch, cháy, nổ.

- ▶ Nên sử dụng bộ sạc trong các hệ thống cấp điện lưới có nối đất.
- ▶ Chỉ vô hiệu hóa chức năng theo dõi tiếp mát trong các hệ thống cấp nguồn điện lưới không nối đất.
- ▶ Bật chức năng theo dõi tiếp mát trong các hệ thống cấp nguồn điện lưới có nối đất.

Đề bật và tắt chức năng theo dõi tiếp mát ▶ Tham khảo chương “Bật và tắt chức năng theo dõi tiếp mát” trên trang 340.

### Điều chỉnh dòng điện sạc

Nếu dòng điện sạc đến xe quá cao, điều này có thể làm nổ cầu chì, dẫn đến lỗi nguồn tại khu vực được bảo vệ bằng cầu chì đó.

Nếu thiết bị quản lý năng lượng được kết nối với bộ sạc, chức năng chống quá tải sẽ theo dõi dòng điện sạc đến bộ sạc. Bạn phải xác định dòng điện tối đa cho bộ sạc, nếu không có thiết bị quản lý năng lượng trong mạng gia đình.

Dòng điện sạc bạn nhập không được vượt quá dòng điện sạc tối đa mà hệ thống lắp đặt điện có thể chịu được.

Lưu ý những điều sau khi xác định dòng điện sạc tối đa:

- Loại dây cáp được kết nối với bộ sạc
- Các tải khác được kết nối với dây cáp này hoặc cầu chì

Thông tin về cấp nguồn và việc sử dụng các cáp này tại các quốc gia khác nhau Tham khảo chương “Chọn dây cáp cấp nguồn” trên trang 330..

### **i** Thông tin

Công suất sạc tuyệt đối không được cao hơn công suất tối đa của mạch điện.

Nếu bạn không chắc chắn về điều này, hãy tham khảo ý kiến của nhân viên kỹ thuật điện đủ tiêu chuẩn.

### **i** Thông tin

Nếu thiết bị quản lý năng lượng được kết nối, cài đặt của thiết bị này sẽ ghi đè giá trị bạn nhập.

- ✓ Dây cáp của xe được kết nối với bộ sạc.
- ▶ Trong ứng dụng web, sử dụng điều khiển để thiết lập dòng điện sạc tối thiểu và tối đa.

## Bảo dưỡng

### Hiện thị thông tin thiết bị

Thông tin này dựa trên dữ liệu về bộ sạc, ví dụ: số phiên bản, số sêri và tên máy chủ.

Đội tác dịch vụ Porsche của bạn sẽ cần dữ liệu này trong trường hợp có thông báo lỗi.

### Hiện thị thông tin tổng thời gian đã qua

Hiện thị	Giải thích
<b>Total energy consumption</b>	Hiện thị tổng mức tiêu thụ năng lượng của bộ sạc này cho tất cả các quá trình sạc trước đó.
<b>Total charging time</b>	Hiện thị tổng thời gian sạc của bộ sạc này cho tất cả các quá trình sạc trước đó.

### Hiện thị bộ nhớ sự kiện

Cài đặt này chỉ hiển thị cho người dùng **Customer service**. Thông tin bộ nhớ sự kiện được hiển thị tại đây liên quan đến thông báo lỗi xảy ra trong khi kiểm tra hệ thống. Bộ nhớ sự kiện chủ động và thụ động được hiển thị. Không giống như các sự kiện thụ động, các sự kiện hoặc lỗi chủ động hiện vẫn tái diễn.

- ▶ Chọn nhật ký thích hợp để xem thông báo lỗi và kết quả của quá trình kiểm tra hệ thống.

### Cài đặt bản cập nhật phần mềm

Bộ sạc tìm kiếm các bản cập nhật phần mềm dưới dạng tiêu chuẩn và tải xuống. Cài đặt này xác định xem bản cập nhật phần mềm được cài đặt tự động hay thủ công. **Phiên bản phần mềm:** Hiện thị phiên bản phần mềm hiện được cài đặt.

### **i** Thông tin

Để tìm và tải xuống bản cập nhật phần mềm, bộ sạc phải có kết nối Internet.

### Cập nhật tự động

Khi bật chức năng này, bộ sạc sẽ tự động cài đặt bản cập nhật phần mềm.

- ▶ Chọn **Automatic software updates**.

### Cập nhật thủ công

Khi sẵn có phiên bản phần mềm mới, một thông báo sẽ xuất hiện ở trạng thái thiết bị trong Bảng điều khiển.

- ✓ **Automatic software updates** được tắt.
- ▶ Chọn **Perform software update** để bắt đầu quá trình cài đặt.

### Lưu trữ cài đặt

Có thể lưu cài đặt cấu hình của bạn và dữ liệu đã nhập trước đó bằng cách sử dụng bản sao lưu. Với bản sao lưu này, bạn có thể khôi phục những cài đặt này nếu cần, ví dụ: sau khi thiết lập về cài đặt mặc định khi xuất xưởng. Bản sao lưu được tạo theo cách thủ công trong ứng dụng web.

Không lưu trữ mật khẩu hoặc dữ liệu cá nhân, ví dụ như lịch sử sạc, trong bản sao lưu.

### Tạo bản sao lưu

Với bản sao lưu thủ công, dữ liệu được lưu trữ trên thiết bị của bạn.

- ✓ Thiết bị của bạn và bộ sạc ở trong cùng một mạng.
- 1. Chọn **Export**.
- 2. Điều hướng đến vị trí lưu trữ.

3. Lưu tệp sao lưu.

**Chỉ định mật khẩu:** Nhập mật khẩu.

Mật khẩu bảo vệ dữ liệu của bạn và phải được nhập khi nhập hoặc khôi phục bản sao lưu.

### Khôi phục bản sao lưu

Bạn có thể nhập tệp sao lưu đã lưu từ thiết bị của bạn sang bộ sạc.

- ✓ Thiết bị của bạn và bộ sạc ở trong cùng một mạng.
- 1. Chọn nút **Import**.
- 2. Điều hướng đến tệp sao lưu và chọn tệp này.
- 3. Nhập mật khẩu bạn đã sử dụng để lưu tệp sao lưu.

### Điều chỉnh các cài đặt về tiêu chuẩn khi xuất xưởng

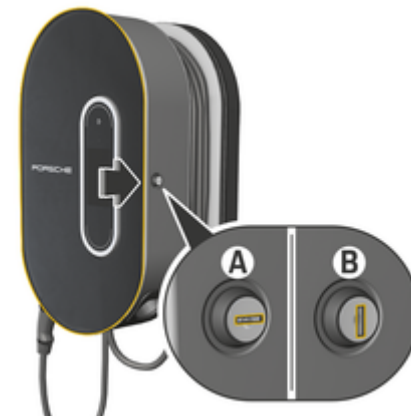
Nếu bạn bật chức năng này, tất cả dữ liệu cá nhân và cấu hình, ví dụ: lịch sử sạc và cài đặt mạng đều bị xóa. Mặc dù, tất cả các mật khẩu sẽ được đặt lại về mật khẩu ban đầu trong thư chứa dữ liệu truy cập của bạn.

- ▶ Bật **Reset to factory settings**.  
Để tạo bản sao lưu Tham khảo chương “Bảo dưỡng” trên trang 347.

### **i** Thông tin

Nếu cài đặt được thiết lập lại về cài đặt gốc của nhà sản xuất, trình hướng dẫn thiết lập sẽ trợ giúp bạn về những cài đặt quan trọng nhất trong lần khởi động tiếp theo.

## Đế sạc điện



H. 160: Đế sạc điện

### Mở đế sạc điện

- ▶ Ấn vào cửa của đế sạc theo **chiều mũi tên**. Cửa tự động mở ra.

### Đóng đế sạc điện

- ▶ Đóng cửa của đế sạc điện lại và ấn theo **chiều mũi tên**.

### Khóa đế sạc điện

- ▶ Vận khóa vào vị trí **A** (H. 160).

### Mở khóa đế sạc điện

- ▶ Vận khóa vào vị trí **B** (H. 160).

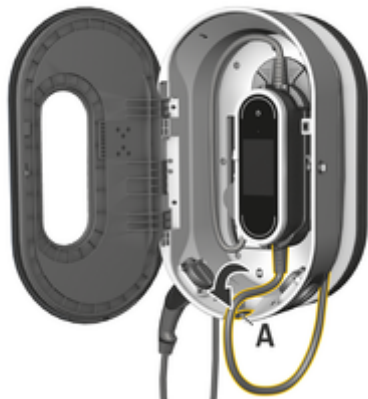
## Lắp thiết bị điều khiển vào đế sạc và tháo khỏi đế sạc

### CHÚ Ý

Hư hỏng bộ sạc

- ▶ Luôn giữ cửa ở vị trí đóng.
- ▶ Không để đồ vật lên cửa hoặc trên đế sạc điện.

## Gắn thiết bị điều khiển vào đế sạc điện.

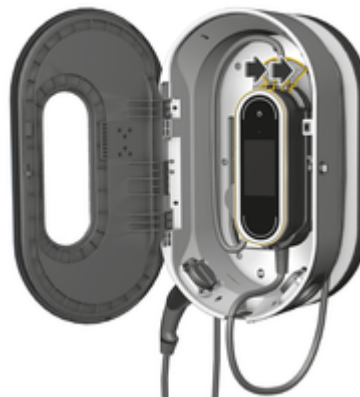


H. 161: Gắn thiết bị điều khiển

1. Mở cửa của đế sạc điện.
2. Đặt thiết bị điều khiển bên dưới vấu khóa của đế sạc điện và gài ở phía sau.
3. Luồn dây cáp của xe qua lỗ A (H. 161) và cuộn phần dây cáp thừa quanh đế sạc điện.

4. Cắm dây cáp cấp nguồn vào ổ điện.
5. Đóng cửa của đế sạc điện.

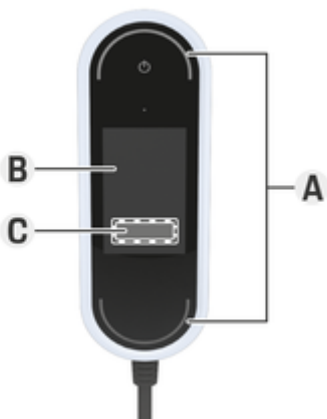
## Tháo thiết bị điều khiển khỏi đế sạc điện.



H. 162: Gắn thiết bị điều khiển

1. Mở cửa của đế sạc điện.
2. Ngắt kết nối dây cáp cấp nguồn khỏi ổ điện.
3. Gỡ hẳn dây cáp của xe khỏi đế sạc điện.
4. Tháo thiết bị điều khiển khỏi đế bằng cách ấn vào công tắc nhỏ (mũi tên) rồi tháo ra.

## Trục trặc



H. 163: Hiện thị các trục trặc

- A** Đèn LED trạng thái sáng lên màu đỏ
- B** Thông báo lỗi và nguyên nhân
- C** Cách khắc phục

Trong trường hợp có lỗi hoặc trục trặc, bộ sạc hiển thị thông báo tương ứng trên màn hình. LED trạng thái và nút Nguồn sáng lên màu đỏ. Thông báo hiển thị chi tiết lỗi, thông tin về nguyên nhân và biện pháp khắc phục.

- ▶ Làm theo hướng dẫn được cung cấp để biết biện pháp khắc phục.

### CHÚ Ý

Hư hỏng bộ sạc

- ▶ Nếu lỗi vẫn tiếp diễn hoặc xảy ra, hãy ngắt kết nối bộ sạc với nguồn cấp lưới điện và liên hệ với nhân viên kỹ thuật điện đủ tiêu

chuẩn. Porsche khuyên bạn nên sử dụng đối tác cung cấp dịch vụ Porsche được chứng nhận.

Phần tổng quát sau đây chứa các đề xuất để xử lý trục trặc hạn chế hoặc ngăn quá trình sạc điện cho xe.



### Tình huống

Màn hình (màn hình, LED trạng thái, nút Nguồn) dừng hoạt động hoàn toàn.

Màn hình không có thông tin, LED trạng thái không đổi màu và nút Nguồn sáng lên màu đỏ.

### Hành động đề xuất

- ▶ Ngắt kết nối bộ sạc khỏi nguồn cấp điện lưới và thay thế bộ sạc.
- ▶ Yêu cầu nhân viên kỹ thuật điện đủ tiêu chuẩn kiểm tra hệ thống lắp đặt trong nhà.
- ▶ Bộ sạc bị quá nhiệt. Ngắt kết nối bộ sạc khỏi nguồn điện lưới và để bộ sạc tự nguội dần.
- ▶ Nếu lỗi vẫn tiếp tục, hãy thay bộ sạc.

Tình huống	Hành động đề xuất
Vận hành hạn chế hoặc không sạc được (thông báo hiển thị).	<ul style="list-style-type: none"> <li>▶ Đảm bảo dây cáp cấp nguồn và dây cáp của xe đều được kết nối với thiết bị điều khiển ở đúng bên và được cắm vào mạch nối đúng cách.</li> <li>▶ Đảm bảo bộ sạc nằm trong khoảng nhiệt độ cho phép. <ul style="list-style-type: none"> <li>▷ Tham khảo chương “Thông số kỹ thuật” trên trang 355.</li> </ul> </li> <li>▶ Xác nhận thông báo lỗi hiển thị.</li> <li>▶ Khởi động lại bộ sạc. Nhấn nút Nguồn trong ít nhất 10 giây để khởi động lại.</li> </ul>
Dòng điện sạc quá thấp (thông báo trên màn hình).	<ul style="list-style-type: none"> <li>▶ Mạng gia đình bị quá tải. Tắt các thiết bị tải điện cao hơn khác.</li> </ul>
Điện áp lưới điện quá cao (thông báo trên màn hình).	<ul style="list-style-type: none"> <li>▶ Yêu cầu nhân viên kỹ thuật điện đủ tiêu chuẩn kiểm tra hệ thống lắp đặt trong nhà.</li> </ul>
Bộ sạc không nằm trong khoảng nhiệt độ cho phép (thông báo trên màn hình).	<ul style="list-style-type: none"> <li>▶ Tắt nhiệt độ của thiết bị: Tránh ánh nắng trực tiếp và để bộ sạc tự nguội dần.</li> <li>▶ Tắt nhiệt độ thấp: Để bộ sạc nóng dần lên trong môi trường ấm trước khi sử dụng.</li> <li>▶ Lỗi cảm biến nhiệt độ của thiết bị: Thay bộ sạc.</li> </ul>
Bộ ngắt mạch trong hệ thống lắp đặt trong nhà được kích hoạt (thông báo trên màn hình).	<ul style="list-style-type: none"> <li>▶ Giảm dòng điện sạc trong phần cài đặt trên bộ sạc.</li> <li>▶ Xác nhận thông báo lỗi hiển thị.</li> </ul>
Trạng thái ngắt sạc hiển thị: <ul style="list-style-type: none"> <li>▶  Nút Nguồn sáng màu trắng</li> <li>▶  Đèn LED trạng thái nháy màu xanh dương.</li> <li>▶ Hiển thị bật.</li> </ul>	<ul style="list-style-type: none"> <li>▶ Chờ cho đến khi xe bắt đầu tự động sạc lại.</li> <li>▶ Có thể dừng quá trình sạc trên xe.</li> </ul>

### Vận chuyển

#### CẢNH BÁO

Tải không được giữ chắc chắn

Bộ sạc không được cố định chắc chắn, được cố định không đúng cách hoặc đặt sai vị trí có thể trượt ra khỏi vị trí và gây nguy hiểm cho những người ở trên xe trong khi phanh, ga, chuyển hướng hoặc xảy ra tai nạn.

- ▶ Không được vận chuyển bộ sạc khi không được cố định chắc chắn.
- ▶ Luôn luôn chở bộ sạc trong khoang hành lý, tuyệt đối không bao giờ để vật nặng trong khoang hành khách (ví dụ: ở trên hoặc phía trước ghế ngồi).

#### Cố định bộ sạc để vận chuyển

Bộ sạc được cung cấp kèm hoặc không kèm vỏ vận chuyển, tùy vào loại xe.

- ▶ Nếu vỏ vận chuyển được cung cấp: Luôn cất giữ và vận chuyển bộ sạc trong vỏ. Gắn vỏ vận chuyển vào vòng buộc có móc ở phía trước và sau.

Để biết thông tin về vòng buộc trong khoang hành lý:

- ▶ Tham khảo Hướng dẫn dành cho người lái.
- ▶ Nếu vỏ vận chuyển không được cung cấp: Cất bộ sạc vào khoang hành lý phía sau để vận chuyển.
- ▶ Tùy vào loại xe, hãy cất bộ sạc sao cho không gây hại cho người trong xe trong tình huống nguy hiểm.

## Vệ sinh và bảo trì

Kiểm tra định kỳ bộ sạc xem có bị hỏng và bẩn không rồi vệ sinh nếu cần.

### NGUY HIỂM

Điện giật, cháy

Nguy cơ bị thương nghiêm trọng hoặc tử vong do cháy hoặc điện giật.

- ▶ Không bao giờ nhúng bộ sạc hoặc phích cắm xuống nước hoặc xịt nước trực tiếp lên (chẳng hạn như bằng thiết bị vệ sinh cao áp hoặc ống nước tưới vườn).
- ▶ Chỉ vệ sinh bộ sạc khi đã ngắt kết nối hoàn toàn thiết bị điều khiển khỏi nguồn cấp lưới điện và khỏi xe. Dùng miếng vải khô để vệ sinh.

## Hủy bỏ

### Hủy bỏ

Phải thải bỏ thiết bị điện/điện tử tại nơi thu gom hoặc địa điểm xử lý rác thải.

- ▶ Không vứt bỏ thiết bị điện/điện tử cùng với rác thải sinh hoạt thông thường.
- ▶ Thải bỏ các thiết bị điện/điện tử theo quy định hiện hành về bảo vệ môi trường.
- ▶ Nếu bạn có câu hỏi nào về việc thải bỏ, hãy liên hệ với đối tác Porsche.



## Thông số kỹ thuật

Thông số điện 9Y0.971.675...	BE MCC72E2 A <sup>1)</sup>	BG MCC11E3 A <sup>1)</sup>	BJ MCC22E3 A <sup>1)</sup>
Công suất	<b>7,2 kW</b>	<b>11 kW</b>	<b>22 kW</b>
Dòng điện định mức	16 A, 2 pha 32 A, 1 pha	16 A, 3 pha	32 A, 3 pha
Điện áp lưới điện	100 – 240 V/400 V	100 – 240/400 V	100 – 240/400 V
Pha	2/1	3	3
Tần số điện lưới	50 Hz/60 Hz	50 Hz/60 Hz	50 Hz/60 Hz
Danh mục điện áp quá mức (IEC 60664)	II	II	II
Thiết bị dòng dư tích hợp	Loại A (AC: 30 mA) + DC: 6 mA	Loại A (AC: 30 mA) + DC: 6 mA	Loại A (AC: 30 mA) + DC: 6 mA
Cấp bảo vệ	I	I	I
Trị số định mức bảo vệ	IP55 (Mỹ: Vỏ 3R)	IP55 (Mỹ: Vỏ 3R)	IP55 (Mỹ: Vỏ 3R)
Dải tần truyền phát	2,4 GHz, 5 GHz	2,4 GHz, 5 GHz	2,4 GHz, 5 GHz
Công suất truyền	20 dBm	20 dBm	20 dBm

## Thông số kỹ thuật

Thông số cơ học 9Y0.971.675...	BE MCC72E2 A <sup>1)</sup>	BG MCC11E3 A <sup>1)</sup>	BJ MCC22E3 A <sup>1)</sup>
Trọng lượng thiết bị điều khiển	2,54 kg		
Độ dài dây cáp của xe	2,5 m hoặc 7,5 m		
Độ dài dây cáp cấp nguồn	0,9 m		

Thông số cơ học cho đế gắn tường tiêu chuẩn 9Y0.971.675...	BE MCC72E2 A <sup>1)</sup>	BG MCC11E3 A <sup>1)</sup>	BJ MCC22E3 A <sup>1)</sup>
Kích thước đế gắn tường cơ bản	385 mm x 135 mm x 65 mm (dài x rộng x cao)		
Trọng lượng đế gắn tường tiêu chuẩn	khoảng 0,45 kg		
Kích thước dây cáp	127 mm x 115 mm x 139 mm (dài x rộng x cao)		
Trọng lượng đường dẫn cáp	khoảng 0,42 kg		
Kích thước chốt đầu nổi	136 mm x 50 mm x 173 mm (dài x rộng x cao)		
Trọng lượng chốt đầu nổi	khoảng 0,14 kg		
Trọng lượng đế gắn tường tiêu chuẩn hoàn thiện	khoảng 1 kg		

1) A là viết tắt của những thay đổi thiết kế đang chờ xử lý và có thể là bất kỳ chữ cái nào.

<b>Thông số cơ học cho đế sạc 9Y0.971.675...</b>	<b>BE</b> MCC72E2 A <sup>1)</sup>	<b>BG</b> MCC11E3 A <sup>1)</sup>	<b>BJ</b> MCC22E3 A <sup>1)</sup>
Kích thước đế nạp điện	373 mm x 642 mm x 232 mm (dài x rộng x sâu)		
Trọng lượng đế sạc điện	khoảng 9,7 kg		
<b>Điều kiện xung quanh và bảo quản 9Y0.971.675...</b>	<b>BE</b> MCC72E2 A <sup>1)</sup>	<b>BG</b> MCC11E3 A <sup>1)</sup>	<b>BJ</b> MCC22E3 A <sup>1)</sup>
Nhiệt độ xung quanh	-30°C đến +50°C		
Độ ẩm	5% – 95% không ngưng tụ		
Độ cao	tối đa 5.000 m trên mực nước biển		

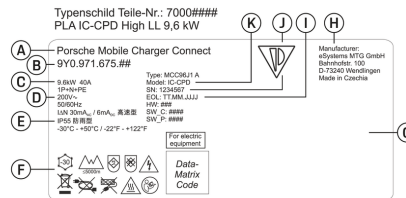
<sup>1)</sup> A là viết tắt của những thay đổi thiết kế đang chờ xử lý và có thể là bất kỳ chữ cái nào.



03725-21-12707

Thiết bị này hoạt động trên cơ sở phụ, tức không có tác dụng bảo vệ trực tiếp chống nhiễu có hại, kể cả trong các trạm cùng loại và không thể gây nhiễu cho các hệ thống hoạt động trên cơ sở chính<sup>1)</sup>. Để biết thêm thông tin, hãy tham khảo trang web ANATEL [www.anatel.gov.br](http://www.anatel.gov.br)

## Nhãn nhận biết thiết bị



H. 164: Nhãn nhận biết thiết bị (ví dụ)

- A** Tên sản phẩm
- B** Số mục
- C** Công suất và dòng điện định mức
- D** Điện áp lưới điện
- E** Trị số định mức bảo vệ
- F** Sơ đồ vận hành
- G** Thông tin chứng nhận

- H** Nhà sản xuất
- I** Ngày sản xuất
- J** Số sê-ri
- K** Chỉ định loại

## Thông tin về sản phẩm

### Ngày sản xuất

Ngày sản xuất bộ sạc có trên nhãn nhận biết, sau chữ viết tắt "EOL i.O.".

Thông tin này có định dạng sau: Ngày sản xuất.Tháng sản xuất.Năm sản xuất

### Nhà sản xuất bộ sạc

eSystems MTG GmbH  
Bahnhofstraße 100  
73240 Wendlingen

Germany

### Kiểm tra điện

Mọi câu hỏi về hoạt động kiểm tra điện định kỳ của hạ tầng sạc (ví dụ VDE 0702), vui lòng tham khảo <https://www.porsche.com/international/accessoriesandservice/porscheservice/vehicleinformation/documents/> hoặc liên hệ đối tác Porsche.

### Tuyên bố về tính tuân thủ

Bộ sạc có hệ thống vô tuyến.

Nhà sản xuất của các hệ thống sóng vô tuyến này khẳng định, sản phẩm tuân thủ thông số kỹ thuật để sử dụng theo Chỉ thị 2014/53/EU.

Toàn văn tuyên bố về tính tuân thủ theo tiêu chuẩn châu Âu hiện có tại địa chỉ internet sau:

▷ <http://www.porsche.com/international/accessoriesandservice/porscheservice/vehicleinformation/documents>

### Nhà nhập khẩu

#### Abu Dhabi: Ali & Sons Co. L.L.C

Porsche Centre Abu Dhabi

Zayed 2nd Street

Abu Dhabi

United Arab Emirates

P.O. Box 915

Điện thoại: +971 2 619 3911

#### Dubai: Al Nabooda Automobiles L.L.C

Porsche Centre Dubai

Sheikh Zayed Road E11

Dubai

United Arab Emirates

P.O. Box 10773

Điện thoại: +971 4 305 8555

### Great Britain



Porsche Cars Great Britain Ltd.

Bath Road

Calcot, Reading, Berkshire

RG31 7SE

United Kingdom

### Russland

Porsche Russia

Ленинградское шоссе дом 71А, строение 10

125445, Москва, Россия

Điện thoại: +7-495-580-9911

### Singapur: Porsche Singapore

Porsche Asia Pacific Pte Ltd

20 McCallum Street #12-01

Tokio Marine Centre

Singapore 069046

**Chỉ mục**

**B**

Bán bộ sạc..... 323  
 Bản cập nhật phần mềm..... 335  
 Bảo trì..... 353  
 Bảo vệ thiết bị..... 336  
 Biểu tượng..... 318  
 Bộ sạc  
     Biểu tượng..... 318  
     Công suất sạc..... 337  
     Kết nối..... 341  
     Mật khẩu ban đầu..... 322  
     Trạng thái sạc..... 337  
     Trạng thái thiết bị..... 337

**C**

Các biểu tượng trong Hướng dẫn sử dụng dành cho người lái này..... 316  
 Các tùy chọn điều khiển..... 325  
 Cáp sạc  
     Các loại cáp và phích cắm..... 329  
 Cáp sạc xe  
     Các loại cáp và phích cắm..... 329  
 Cấu trúc của cảnh báo..... 316  
 Chọn mạng..... 335  
 Chọn vị trí lắp đặt..... 326  
 Cố định cho việc vận chuyển..... 352  
 Công sạc trên xe..... 338  
 Công suất sạc  
     Xem..... 337

**D**

Dây cáp  
     Cố định..... 334  
     Ngắt kết nối..... 334  
 Dây cáp cấp nguồn..... 330  
     Ổ cắm công nghiệp..... 331  
     Ổ điện gia dụng..... 331

Dụng cụ..... 327  
 Dụng cụ yêu cầu..... 327  
 Dữ liệu truy cập..... 322

**Đ**

Đăng nhập vào bộ sạc..... 337  
 Để sạc điện..... 348  
     Đóng..... 348  
     Khóa..... 348  
     Mở..... 348  
     Mở khóa..... 348  
 Đến Hướng dẫn sử dụng dành cho người lái  
     Thông tin thêm..... 319  
     Thông tin về bảo mật dữ liệu..... 318  
 Địa chỉ IP..... 342  
 Điểm phát..... 336  
     Thiết lập..... 343  
 Điều chỉnh dòng điện sạc..... 336  
 Định cấu hình địa chỉ IPv4..... 342  
 Định cấu hình máy chủ DNS..... 343

**G**

Gắn đế sạc  
     Cài đặt không có vòng đệm..... 329  
     Gắn với vòng đệm..... 328  
 Gắn thiết bị điều khiển vào đế sạc điện..... 349  
 Ghép nối hồ sơ người dùng..... 336, 345  
 Ghép nối ID Porsche..... 336  
 Giới hạn dòng điện sạc..... 339

**H**

Hiện thị  
     Điều hướng..... 325  
     Ngôn ngữ và quốc gia..... 335  
     Thanh menu..... 325  
     Thanh trạng thái..... 324  
 Hỗ trợ thiết lập..... 337  
 Hủy bỏ..... 354

Hướng dẫn an toàn..... 319  
 Hướng dẫn vận hành..... 338

**K**

Kết nối  
     Điểm phát..... 336  
     Mã bảo mật PLC..... 335  
     PLC pairing button..... 335  
     Thiết bị quản lý năng lượng..... 336  
     WiFi..... 335  
 Khởi động..... 335

**L**

Lắp chốt đầu nối..... 327  
 Lắp đế gắn tường tiêu chuẩn..... 327

**M**

Mạng gia đình..... 335  
     Địa chỉ IP..... 342  
     Tên máy chủ lưu trữ..... 342  
 Mạng WiFi  
     Kết nối..... 343  
     Mạng chưa biết..... 343  
     Ngắt kết nối..... 343  
     Quản lý..... 343  
 Mất dữ liệu truy cập..... 322  
 Mức tiêu thụ năng lượng trong quá trình sạc..... 337

**N**

Ngày sản xuất..... 357  
 Ngôn ngữ và quốc gia..... 335  
 Nhà nhập khẩu..... 358  
 Nhà sản xuất..... 357  
 Nhãn nhận biết thiết bị..... 357  
 Nhập tài khoản..... 345

## Chỉ mục

### P

Phạm vi cung cấp. ....	322
PIN và PUK	
Đổi mật khẩu. ....	323
Mất. ....	323
Porsche ID. ....	323

### Q

Quá trình sạc	
Mức tiêu thụ năng lượng. ....	342
Xem. ....	342
Quá trình sạc hiện tại. ....	337

### S

Sạc điện	
Kết thúc. ....	339
Khởi động. ....	339
sạc. ....	339
Số mục của bộ sạc. ....	355
Số sê-ri. ....	357
Số sê-ri của bộ sạc. ....	323
Sử dụng đúng cách. ....	320

### T

Tên máy chủ lưu trữ. ....	342
Tháo thiết bị điều khiển khỏi đế sạc điện. ....	349
Thay đổi dây cáp cấp nguồn và dây cáp của xe. ....	333
Theo dõi tiếp mát	
Bật. ....	340
Tắt. ....	340
Thiết bị điều khiển. ....	324
Hiện thị. ....	324
Lắp vào để gắn tường. ....	328
Tổng quan về kết nối. ....	323
Thiết bị quản lý năng lượng. ....	336
Điều chỉnh dòng điện sạc. ....	336
Ghép nối. ....	344
Thêm. ....	344

Thiết lập kết nối mạng	
Điểm phát. ....	343
Powerline Communication (PLC). ....	344
WiFi. ....	343
Thiết lập lời nhắc mã PIN. ....	336
Thông số kỹ thuật	
Dữ liệu cơ học. ....	355
Dữ liệu điện. ....	355
Môi trường xung quanh và điều kiện bảo quản. ....	355
Thông tin thêm. ....	319
Thông tin truy cập	
Số sê-ri bộ sạc. ....	323
Ứng dụng web. ....	323
Thông tin về bảo mật dữ liệu. ....	318
Thông tin về sản phẩm. ....	357
Thời gian sạc. ....	339
Tổng mức tiêu thụ năng lượng	
Quá trình sạc hiện tại. ....	337
Trạng thái sạc. ....	337
Trực trực. ....	350
Truyền dữ liệu. ....	335
Tuyên bố về tính tuân thủ. ....	358

### U

Ứng dụng web	
Điểm phát. ....	341
Đổi mật khẩu. ....	323
Khởi động. ....	336
Mật khẩu ban đầu. ....	323
Mất mật khẩu. ....	323
Mở. ....	341
WiFi. ....	341

### V

Vận chuyển, cố định bộ sạc. ....	352
Vệ sinh. ....	353

### X

Xuất lịch sử sạc. ....	342
------------------------	-----



1. כאשר הנחיה מורכבת מכמה שלבים, השלבים ממוספרים.

2. הוראות שיש לבצע בתצוגה המרכזית.

משפט המציין היכן תוכל למצוא מידע חשוב נוסף בנושא זה.

## אודות ספר הוראות הפעלה זה

### אזהרות וסמלים

בספר הוראות ההפעלה לנהג קיימים סוגים שונים של סמלים ואזהרות.

פגיעה חמורה או מוות **סכנה** ⚠

התעלמות מהוראות הבטיחות המופיעות בקטגוריה "סכנה" תגרום לפגיעות חמורות או למוות.

ייתכנו פגיעות חמורות או מוות **אזהרה** ⚠

התעלמות מהוראות הבטיחות המופיעות בקטגוריה "אזהרה" עלולה לגרום לפגיעות חמורות או למוות.

ייתכנו פגיעות קלות או בינוניות **זהירות** ⚠

התעלמות מהוראות הבטיחות המופיעות בקטגוריה "זהירות" עלולה לגרום לפגיעות בינוניות או קלות.

### שים לב

נזק אפשרי לרכב

אם לא תפעל בהתאם לאזהרות שבקטגוריה "שים לב", עלול להיגרם נזק לרכב.

### מידע ⓘ

תחת הכותרת "מידע" ניתן למצוא מידע נוסף.

↘ תנאים שצריכים להתקיים כדי שניתן יהיה להשתמש בפונקציה.

◀ הנחיות שעליך לבצע.



384 ..... התחברות ליישום האינטרנט.

385 ..... השימוש ביישום האינטרנט.

391 ..... עמדת טעינה.

393.....**תקלות.**

395.....**הובלה.**

396 .....**ניקיון ותחזוקה.**

397 .....**גריטה.**

**נתונים טכניים**

400 ..... לוחית דגם.

400 ..... פרטי ייצור.

400 ..... יבואנים.

402.....**אינדקס.**

**Deutsch**

**עבור ספר הוראות הפעלה לנהג**

363 ..... מפתח לקריאת הסמלים.

363..... מידע על פרטיות נתונים.

363 ..... מידע נוסף.

**אבטחה**

364 ..... הוראות בטיחות.

365 ..... שימוש הולם.

**אביזרים מצורפים**

366 ..... נתוני גישה.

**סקירה כללית**

367..... חיבורים ביחידת הבקרה.

368 ..... יחידת בקרה של מטען.

368..... תצוגות ובקרות של לוח התצוגה.

**בחירת מיקום ההתקנה.**

370 .....**הכלים הנדרשים.**

371.....

**התקנה**

371 ..... התקנת תושבת הקיור.

372 ..... התקנה ללא התקן ריווח.

373 ..... התקנה עם התקן ריווח.

**הגדרה**

373..... כבלי טעינה וכבלי מתח של הרכב.

378..... הפעלה וקביעת תצורה ראשונית.

הכנסה לשימוש בעזרת האפליקציה

380..... המקוונת.

380 ..... כניסה למטען.

380..... התחלת ההגדרה במטען.

380 ..... סקירה כללית.

**הפעלה של**

381 ..... הוראות הפעלה.

382 ..... טעינה של



## עבור ספר הוראות ההפעלה לנהג

### מפתח לקריאת הסמלים

סמלים שונים עשויים להופיע על המטען כתלות במדינה.

הפעל את המטען בטווח טמפרטורות של  $-30^{\circ}\text{C}$  עד  $+50^{\circ}\text{C}$ .

אין להפעיל את המטען בגובה של יותר מ-5,000 מ' מעל פני הים.

המטען מצויד במוליך מגן ללא מתג.

המטען מצויד במוליך מגן עם מתג.

השלך את המטען בהתאם לכל התקנות החלות בנושא השלכה.

אין להשתמש בכבלים מאריכים או בסלילי כבלים.

אין להשתמש במתאמים (המותאמים לנכסיות).

אין להשתמש בשקעים מרובים.

## מידע על פרטיות נתונים

כדי לוודא שציוד הטעינה של פורשה שברשותך הנו עדכני ומקיים תקשורת בצורה נכונה, פורשה אוספת ומעבדת את הנתונים המוצפנים הבאים, הספציפיים להתקן, מצויד הטעינה במרווחי זמן קבועים: מזהה ההתקן, המותג, הגרסה, סוג ההתקן וגרסת התוכנה.

אם אתה מעוניין גם להשתמש בשירותים אחרים של Porsche Connect עבור ציוד הטעינה, עליך להתאים את ציוד הטעינה שלך לחשבון של מזהה הפורשה, שהנו זמין אצל המשווק של Porsche Connect בשווקים נבחרים. במהלך השימוש בשירותי Porsche Connect, פורשה אוספת ומעבדת את הפרטים האישיים הבאים וכן נתונים אחרים ספציפיים להתקן כדי לספק ולעבד את השירותים הבאים: זיהוי הלקוח, נתונים סטטיסטיים, מידע על תהליך הטעינה, מצב, מצב החיבור וחוממת זמן שבה נוצרה לאחרונה תקשורת. ניתן למצוא מידע נוסף על התנאים וההתניות הכלליים לעסקים ועל מדיניות הפרטיות שלנו בכתובת

[www.porsche.com/connect-store](http://www.porsche.com/connect-store)

העברת נתונים רגילה שמבצע ציוד הטעינה שלך עשויה לגרור חיובים נוספים של ספק שירות האינטרנט. באמצעות My Porsche תוכל למחוק לצמיתות את הנתונים שלך המאוחסנים אצל פורשה. עקב מגבלות טכניות או משפטיות, חלק משירותי Porsche Connect בציוד הטעינה של פורשה אינם זמינים בכל המדינות.

## מידע נוסף

ניתן למצוא מידע נוסף על המטען ועל Web Application באזור "E-Performance" בכתובת <https://www.porsche.com>

אין להשתמש במטענים בעלי רכיבים אלקטרוניים או בכבלי חיבור פגומים.

סכנת התחשמלות עקב שימוש בלתי הולם.

פעל בהתאם להוראות ההפעלה המצורפות, ושם לב במיוחד לאזהרות ולהוראות הבטיחות.

פני השטח של המטען עלולים להתחמם מאוד.

אין להפעיל את המטען במערכות אספקת חשמל לא מוארקות, למשל רשתות IT. הפעל את המטען רק במערכות אספקת חשמל מוארקות היטב.

הפעל את המטען רק ברשתות חד-פאזיות.

המטען דורש ספק כוח AC.

מצוין את התקע מסוג 1 עם טווח מתח  $\geq 250 \text{ VAC}$ .

מצוין את התקע מסוג 2 עם טווח מתח  $\geq 480 \text{ VAC}$ .

## אבטחה

### הוראות בטיחות

#### ⚠ סכנה

מכת חשמל, קצר חשמלי, שריפה, פיצוץ

שימוש במטען פגום ובשקע חשמל פגום, שימוש בלתי הולם במטען או אי-ציות להוראות הבטיחות עלולים לגרום לקצרים חשמליים, למכות חשמל, לפיצוצים, לשריפות או לכוויות.

- ◀ השתמש רק באביזרים, למשל אספקת חשמל וכבלים לרכב, שאושרו על-ידי פורשה וסופקו על-ידיה.
- ◀ אין להשתמש במטען פגום ו/או מלוכלך. בדוק את הכבל ואת חיבור התקע לאיתור נזק ולכלוך לפני השימוש.
- ◀ חבר את המטען אך ורק לשקעים חשמליים שאינם פגומים ושהותקנו כהלכה ולמתקני חשמל שאינם פגומים.
- ◀ אין להשתמש בכבלי הארכה, בסלילי כבלים, בשקעים מרובים או במתאמים (המותאמים לנסיעות).
- ◀ נתק את המטען מרשת החשמל במהלך סופות רעמים.
- ◀ אין לשנות או לתקן אף אחד מהרכיבים החשמליים.
- ◀ פנה למומחים בלבד על מנת לתקן תקלות ולבצע תיקונים.

מכת חשמל, שריפה

#### ⚠ סכנה

שימוש בשקעים חשמליים שלא הותקנו כהלכה עלול לגרום למכת חשמל או לשריפה במהלך טעינה של הסוללה במתח גבוה באמצעות פתח הטעינה של הרכב.

- ◀ רק חשמלאי מוסמך רשאי לבצע בדיקות אספקת מתח ולבצע את ההתקנה וההפעלה הראשונית של שקע החשמל עבור המטען. אדם זה אחראי באופן מלא לציית לתקנות ולתקנים הרלוונטיים. פורשה ממליצה להיעזר בנציג מורשה של פורשה עבור השירות.
- ◀ יש להגדיר את חתך הרוחב בכבל המתח בהתאם לאורך הכבל ובהתאם לתקנות והתקנים החלים באותה מדינה.
- ◀ על שקע החשמל המשמש לטעינה להיות מחובר למגל חשמלי המחובר לנתיך אחר, המציית לחוקים ולתקנים המקומיים.
- ◀ המטען מיועד לשימוש באזורים פרטיים וציבוריים-למחצה, למשל, מקרקעין פרטיים או מגרשי חניה של חברה. במדינות מסוימות, למשל באיטליה ובניו זילנד, טעינה במצב 2 **אסורה** באזורים ציבוריים.
- ◀ אין להעניק לאנשים בלתי מורשים (למשל ילדים משחקים) או לבעלי חיים גישה למטען ולרכב במהלך טעינה שמתבצעת ללא השגחה.
- ◀ יש לקרוא תמיד את הוראות הבטיחות במדריך ההתקנה ובספר הוראות ההפעלה לנהג.

מכת חשמל, שריפה

#### ⚠ סכנה

טיפול לא נכון במגעים של השקעים עלול להוביל למכת חשמל או לשריפה.

- ◀ אין לגעת במגעים של פתח הטעינה של הרכב ושל המטען.
- ◀ אין להכניס עצמים כלשהם לפתח הטעינה של הרכב או למטען.
- ◀ הגן על שקעים חשמליים ועל חיבורי תקעים מפני לחות, מים ונוזלים אחרים.

אדים דליקים או נפיצים

#### ⚠ אזהרה

הרכיבים של המטען עלולים לגרום לניצוצות ולהתלקחות של אדים דליקים או נפיצים.

- ◀ כדי להקטין את הסיכון לפיצוץ – בעיקר במוסכים – ודא שיחידת הבקרה ממוקמת לפחות 50 ס"מ מעל לרצפה במהלך הטעינה.
- ◀ אין להתקין את המטען באזורים שבהם האוויר עשוי להיות נפיץ.

באינדונזיה בלבד



Dilarang melakukan perubahan spesifikasi yang dapat menimbulkan gangguan fisik dan/atau elektromagnetik terhadap lingkungan sekitar

כדי לעמוד בדרישות הנוגעות למגבלות על חשיפה לקרינה אלקטרומגנטית (1999/519/EC), התקן את המטען במרחק מינימלי של 20 ס"מ מכל אדם.

כדי להבטיח טעינה ללא הפרעות באמצעות המטען, פעל בהתאם להוראות ולהמלצות הבאות:

- בעת התקנה של שקע חשמלי חדש, בחר שקע חשמל תעשייתי עם הספק גבוה ככל האפשר (מותאם לתשתית החשמל הביתית) ובקש מחשמלאי מוסמך להכינו לפעולה. פורשה ממליצה להיעזר בנציג מורשה של פורשה עבור השירות.

- כאשר הדבר אפשרי מבחינה טכנית ומותר מבחינה חוקית, יש להתאים את תשתית החשמל כך שההספק הנומינלי המרבי של שקע החשמל שנעשה בו שימוש יהיה זמין באופן רציף לטעינת הרכב.

- לפני ההתקנה, ודא שהתשתית הביתית הקיימת מאפשרת לספק באופן רציף את ההספק הנחוץ לטעינה של רכב. במידת הצורך, הגן על התשתית הביתית בעזרת מערכת לניהול אנרגיה.

- מומלץ להפעיל את המטען ברשתות חשמל מוארקות היטב. המוליך המגן חייב להיות מותקן בהתאם להוראות.

- אם אינך בטוח לגבי תשתית החשמל הביתית, צור קשר עם חשמלאי מוסמך. פורשה ממליצה להיעזר בנציג מורשה של פורשה עבור השירות. אם אתה מתכוון להשתמש במטען בשילוב עם מערכת פוטו-וולטאית, פנה לנציג מורשה של פורשה.

- כדי לנצל באופן מלא את המטען ולהבטיח טעינה מהירה של הרכב, השתמש בשקעי חשמל מסוג NEMA עם דירוג הזרם הגבוה ביותר האפשרי המותאם לתקע החשמל, או בשקעי חשמל תעשייתיים על-פי תקן IEC60309.

- בעת טעינה של הסוללה במתח גבוה דרך שקע החשמל הביתי/התעשייתי, אפשר לטעון את תשתית החשמל עד לקיבולת המרבית שלו. פורשה ממליצה שחשמלאי מוסמך יבדוק באופן שוטף את מתקני החשמל המשמשים לטעינה.

שאל חשמלאי מוסמך מהם מרווחי הבדיקה ההולמים עבור התשתית שלך. פורשה ממליצה להיעזר בנציג מורשה של פורשה עבור השירות.

- בעת המסירה, זרם הטעינה מוגבל באופן אוטומטי כדי למנוע חימום יתר של תשתית החשמל. בקש מחשמלאי מוסמך להכין את המטען לפעולה ולהגדיר את הגבלת זרם הטעינה הנדרשת עבור התשתית הביתית.

עייין בפרק "הגבלת זרם הטעינה" בעמוד 383

## שימוש הולם

מטען עם בקרה והגנה משולבים עבור מצב טעינה 2, לטעינה של כלי רכב עם סוללות מתח גבוה העומדות בהוראות ובתקנים החלים באופן כללי לגבי כלי רכב חשמליים.

◀ השתמש תמיד בגרסת ההתקן המתאימה עבור רשת החשמל המקומית.

עייין בפרק "נתונים טכניים" בעמוד 398

אפשר להשתמש במטען רק כיחידה משולבת שכוללת כבלי מתח, יחידת בקרה וכבל של הרכב.

מתאים לשימוש מחוץ למבנים.

שם, פרטים	משמעות
סיסמת משתמש ביתי	סיסמה ראשונית של המשתמש הביתי לאפליקציה המקוונת
סיסמת שירות לקוחות	סיסמה ראשונית של שירות הלקוחות לאפליקציה המקוונת
פין	מספר מזהה אישי
PUK	מפתח ביטול נעילה אישי

**מידע**

**שם המארח** מורכב מהרכיבים הבאים:  
 מטען+מספר סידורי (דוגמה:  
 MobileChargerConnect-1234567)

**מידע**

שדה האבטחה מכיל את קודי הגישה הנחוצים (PIN ו-PUK). שדה זה מודפס בדיו מיוחד לכיסוי קודים אלה. קודים אלה נראים לעין רק כאשר מרטיבים את השדה במים זורמים.  
 אין לשפשף או לשרוט את השדה בזמן ההרטבה, מכיוון שעלול להיגרם נזק גם לקודים.

**PUK-ו-PIN**

- קודי ה-PIN וה-PUK משמשים לביטול נעילת המטען.
- אם תאבד או תשכח את קוד ה-PIN שהגדרת בעצמך, בטל את נעילת המטען על-ידי הזנת ה-PUK והגדרת PIN חדש.
- אם תאבד או תשכח את קוד ה-PUK, פנה לנציג מורשה של פורשה לשחזורם.

**נתוני גישה**

להתקן שלך מצורף מכתב הכולל נתוני גישה, המכיל את כל הנתונים הנחוצים לך עבור המטען וה-Web Application.

שמור את המכתב המכיל את נתוני הגישה במקום בטוח.

**מידע**

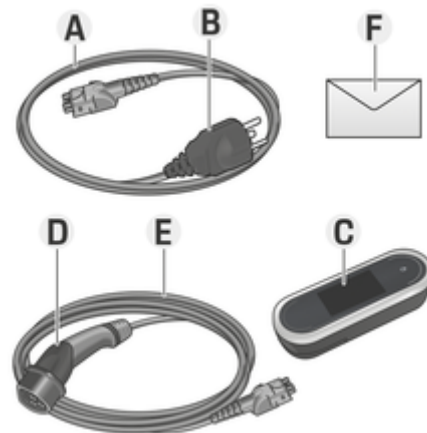
אם איבדת את נתוני הגישה התקפים בעת מסירת ההתקן, לדוגמה את קוד ה-PIN המוגדר מראש ואת הסיסמה הראשונית, פנה לנציג המורשה של פורשה לשחזורם.

הכן את המספר הסידורי של המטען.  
 עיין בפרק "המספר הסידורי של המטען" בעמוד 367

המכתב המכיל נתוני גישה כולל את הנתונים הבאים:

שם, פרטים	משמעות
מספר סידורי	המספר הסידורי של המטען
כתובת MAC של ה-WiFi	כתובת MAC של ממשק WiFi
כתובת MAC של הרשת	כתובת MAC של ממשק PLC ביתי
כתובת MAC של הרכב	כתובת MAC של ממשק PLC ברכב
כתובת SSID של ה-WiFi	כתובת SSID של נקודת גישה של WiFi
-	שם מארח
כתובת PSK של ה-WiFi	מפתח רשת

**אביזרים מצורפים**



איור 165: אביזרים מצורפים

- A** כבל מתח (שניתן לנתק מיחידת בקרה)
- B** חיבור שקע-תקע לצורך חיבור לרשת החשמל
- C** יחידת בקרה
- D** תקע הרכב (תקע מחבר עבור הרכב)
- E** כבל רכב (שניתן לנתק או המאובטח ליחידת הבקרה, בהתאם למדינה)
- F** מכתב הכולל את נתוני הגישה

**מידע**

רכיבים אופציונליים: בהתאם למדינה קיימות תושבות קיר שונות עבור המטען, לדוגמה תושבת הקיר הבסיסית או עמדת הטעינה.

## סקירה כללית חיבורים ביחידת הבקרה



איור 166: חיבורים ביחידת הבקרה

**A** כבלי מתח  
**B** כבל של הרכב

ניתן להוציא את כבל המתח **A** ולהכניס אותו לחלק העליון של יחידת הבקרה.

ניתן להוציא את הכבל של הרכב **B** ולהכניס אותו לחלק התחתון של יחידת הבקרה.

אם אינך מתכוון להשתמש עוד במטען, לדוגמה אם אתה מוכר אותו:

1. בטל את הקישור בין המטען למזהה הפורשה שלך ( **Settings** ⚙️ < **User profiles** ) (פרופיל משתמש).
2. אפס את המטען להגדרות היצרן ( **Settings** ⚙️ < **Factory settings** ).

### סיסמה עבור האפליקציה המקוונת

הסיסמה משמשת לכניסה ל- Web Application. בעת שימוש בסיסמה הראשונית:

- ◀ אם תאבד או תשכח את הסיסמה הראשונית, פנה לנציג מורשה של פורשה לשחזור.
- בעת שימוש בסיסמה שהגדרת בעצמך:
- ◀ במקרה של אובדן הסיסמה שהגדרת בעצמך, שחזר את המטען להגדרות היצרן והפעל מחדש את הסיסמה הראשונית ( **Factory settings** **Settings** ⚙️ ) (הגדרות מפעל).

### המספר הסידורי של המטען

אפשר למצוא את המספר הסידורי של המטען במקומות הבאים:

- במכתב המכיל נתוני גישה אחרי "Serial Number"
- בלוחית הדגם (בחלק האחורי של יחידת הבקרה), אחרי ראשי התיבות "SNSN"
- במטען: **Maintenance** ⚙️ < **Settings** ⚙️ < (מידע התקן) **Device information** (תחזוקה)
- ב- **Settings** Web Application: (הגדרות) < (תחזוקה) **Maintenance** < (מידע) **Information**

### מזהה פורשה

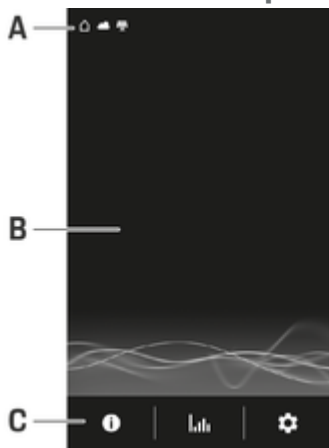
כאשר המטען מותאם למזהה הפורשה שלך, אפשר להציג מידע על המטען ועל תהליכי הטעינה ב- My Porsche וגם ב- Porsche Connect App.

משמעות	סמל
קיים חיבור WiFi זמין	
קיים חיבור לשרת	
הורדה של התוכנה	
קיים חיבור לרשת PLC	
נקודת חיבור מופעלת	
פרופיל טעינה מופעל ברכב. פרופיל זה נטען בהתאם להגדרות.	
מערכת פוטו-וולטאית מחוברת	

## סרגל המצב

ניתן להציג מגוון סמלים בסרגל המצב. הסקירה הכללית הבאה מראה את המשמעות של הסמלים בסרגל המצב.

## תצוגות ובקורות של לוח התצוגה



איור 168: תצוגת המטען

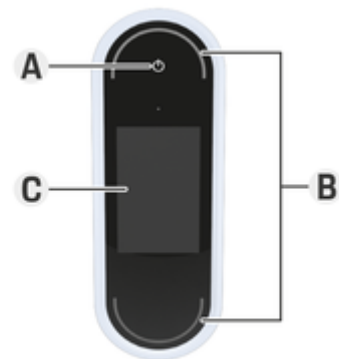
- A** סרגל המצב
- B** אזור הצגת המידע
- C** סרגל התפריט

חיישן בהירות שולט בבהירות התצוגה. הבהירות מתכווננת באופן אוטומטי בהתאם לתנאי התאורה הסביבית.

## סרגל המצב

ניתן להציג מגוון סמלים בסרגל המצב. הסקירה הכללית הבאה מראה את המשמעות של הסמלים בסרגל המצב.

## יחידת בקרה של מטען



איור 167: יחידת בקרה

- A** לחצן הפעלה
- B** נורות LED המציינות מצב
- C** תצוגה

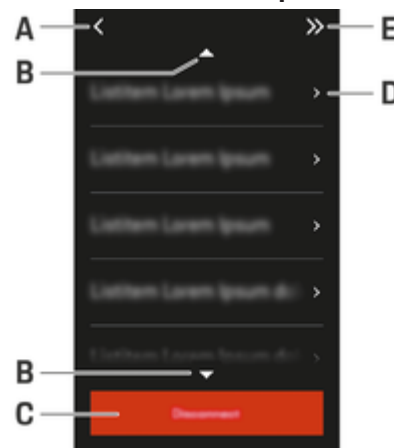
את המטען ניתן להפעיל ולכבות באמצעות לחצן ההפעלה **A** איור 167). נורות ה-LED המציינות מצב **B** איור 167) מציגות את מצב המטען.

התקשורת עם המטען מוצגת על-גבי התצוגה **C** איור 167) בצורת הודעות מידע ושגיאות.

משמעות	סמל
הצגת מידע על תהליך טעינת הזרם	
הצגת charging history	
קביעת תצורה של הגדרות	
קיים עדכון תוכנה זמין.	

משמעות	סמל
קיים חיבור WiFi זמין	
קיים חיבור לשרת	
הורדה של התוכנה	
קיים חיבור לרשת PLC	
נקודת חיבור מופעלת	
ניטור ההארקה הושבת (קנדה, מקסיקו)	
המטען מחובר למנהל אנרגיה	
פרופיל טעינה מופעל ברכב. פרופיל זה נטען בהתאם להגדרות.	
מערכת פוטו-וולטאית מחוברת	

אפשרויות בקרה



איור 169: אפשרויות בקרה

- A חזור
- B למעלה/למטה
- C פעילות
- D פרטים
- E דילוג

מידע

בהתאם לחשיבותם, סמלים מסוימים חופפים ולכן אינם גלויים (סמלים בעלי עדיפות גבוהה יותר הם, למשל, 'רשת PLC' > 'חיבור WiFi' > 'מנהל אנרגיה').

סרגל התפריט

ניתן להציג מגוון סמלים בסרגל התפריט. הסקירה הכללית הבאה מראה את המשמעות של הסמלים בסרגל התפריט.

## בחירת מיקום ההתקנה

מכת חשמל, שריפה

**סכנה** ⚠️

שימוש לא נכון במטען או אי-ציות להוראות הבטיחות עלול לגרום לקצרים, למכות חשמל, לפיצוצים, לשריפה או לכוויות.

- ◀ אין להתקין את תושבת הקיר הבסיסית או את עמדת הטעינה באזורים שעשויים להיות נפיצים.
- ◀ לפני התקנת תושבת הקיר הבסיסית או עמדת הטעינה, ודא שאין שום כבלים חשמליים בקרבת חורי התושבת שיש לקדוח.
- ◀ כדי להקטין את הסיכון לפיצוץ - בעיקר במוסכים - ודא שיחידת הבקרה ממוקמת לפחות 50 ס"מ מעל לרצפה במהלך הטעינה.
- ◀ ציית לתקנות המקומיות החלות בנושא מתקני חשמל, אמצעי הגנה למניעת שריפות, תקנות למניעת תאונות ונתיבי מילוט.

תושבת הקיר הבסיסית ועמדת הטעינה מיועדות להתקנה בתוך מבנים ומחוצה להם. יש לקחת בחשבון את הקריטריונים הבאים בעת בחירת מיקום התקנה מתאים:

- באופן אידיאלי, יש להתקין את שקע החשמל ואת חוט המתח, את תושבת הקיר הבסיסית או את עמדת הטעינה באזור מקורה המציע הגנה מפני הגשם ומפני קרני שמש ישירות (לדוגמה, במוסך).
- יש לבחור את המרחק של שקע החשמל מהרצפה ומהתקרה בהתאם לתקנות ולתקנים המקומיים, כדי להבטיח שימוש נוח ככל האפשר.
- אין להתקין את תושבת הקיר הבסיסית או את עמדת הטעינה מתחת לעצמים תלולים.
- אין להתקין את תושבת הקיר הבסיסית או את עמדת הטעינה באורות, במבנים שנועדו למשק חי או במקומות שבהם נפלטים גזי אמוניה.
- התקן את תושבת הקיר הבסיסית או את עמדת הטעינה על גבי משטח חלק.

- כדי להבטיח קיבוע יציב, בדוק את מצב הקיר לפני ההתקנה.
- התקן את תושבת הקיר הבסיסית או את עמדת הטעינה קרוב ככל האפשר למיקום החניה המועדף של הרכב. קח בחשבון את הכיוון של הרכב.
- התקן את תושבת הקיר הבסיסית או את עמדת הטעינה במיקום שאינו קרוב לדרכי מעבר וודא שכבלי המתח אינם חוצים את דרכי המעבר.
- התקן את תושבת הקיר הבסיסית או את עמדת הטעינה כך שהמרחק בין תקע החשמל לשקע החשמל אינו עולה על אורכו של כבל המתח הזמין.



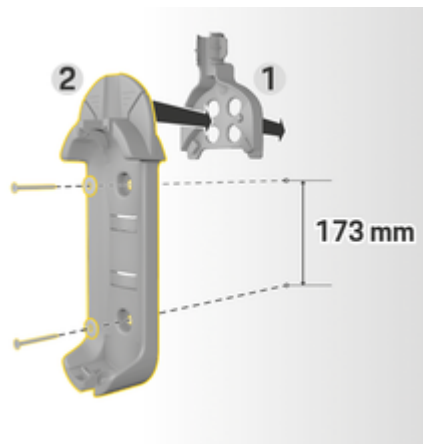
## הכלים הנדרשים

- פלס בנאים
- מקדחה או פטישון
- מברג

## התקנה

### התקנת תושבת הקיר

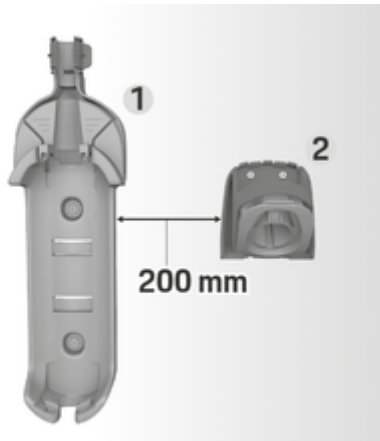
### התקנה של תושבת הקיר הבסיסית



איור 170: מידות הקידוח

1. סמן את חורי הקידוח על הקיר.
2. קדח את חורי הקידוח והכנס את מחברי הקיר.
3. לחץ על תושבת הקיר הבסיסית (איור 2) אל תוך מעבר הכבל (איור 1) מלפנים.
4. הברג את תושבת הקיר הבסיסית אל הקיר.

## התקנה של מהדק המחבר

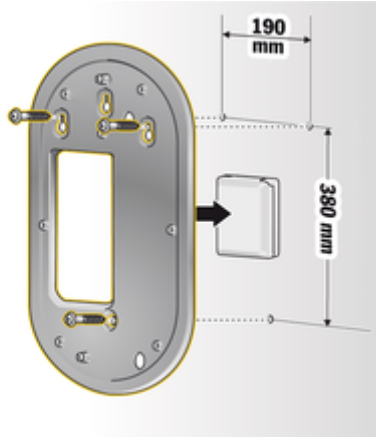


איור 171: המרחק בין תושבת הקיר למהדק המחבר

בעת ההתקנה של מהדק המחבר, הקפד על מרחק של 200 מ"מ מתושבת הקיר הבסיסית.

501-505

### התקנה ללא התקן ריווח



איור 174: מידות הקדחים

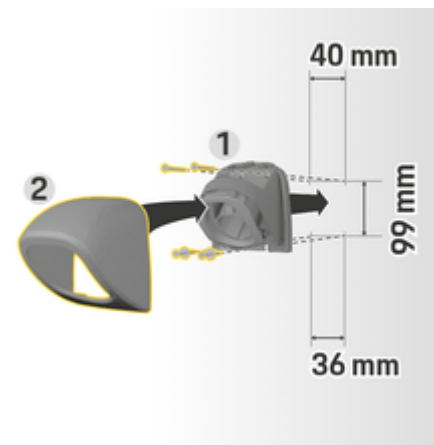
1. סמן את הקדחים על הקיר.
2. צור את הקדחים והכנס את הדיבלים.
3. הברג את לוח ההרכבה אל הקיר.

### חיבור יחידת הבקרה לתושבת הקיר



איור 173: חיבור יחידת הבקרה

1. העבר את הכבל של הרכב דרך הפתח התחתון של תושבת הקיר הבסיסית, הנח את החלק התחתון של יחידת הבקרה על לשונית הנעילה ושלב אותה על-ידי דחיפתה לאחור.
2. העבר את כבל המתח דרך הפתח העליון בתושבת הקיר הבסיסית ונעל את טבעת האבטחה על-ידי דחיפתה שמאלה.
3. הכנס את תקע הרכב לסגר המחבר.



איור 172: מידות הקידוח

1. הסר את מהדק המחבר 1 איור 172) מן הכיסוי 2 איור 172).
2. סמן את חורי הקידוח על הקיר.
3. קדח את חורי הקידוח והכנס את מחברי הקיר.
4. הברג את מהדק המחבר 1 איור 172) אל הקיר.
5. הרכב את הכיסוי 2 איור 172) על מהדק המחבר 1 איור 172) מלמטה ודחף אותו כלפי מעלה.

## הגדרה

### כבלי טעינה וכבלי מתח של הרכב מידע על כבלים ותקעים לטעינה ברכב

בתלות באזור במדינה, הרכב מצויד במגוון פתחי טעינה של הרכב A וגם בתקעים B.

IEC 62196-2/  
SAE-J1772-2009  
IEC/UL תקן Type 1



IEC 62196-2/  
SAE-J1772-2009  
Type 1



IEC 62196-2  
Type 2



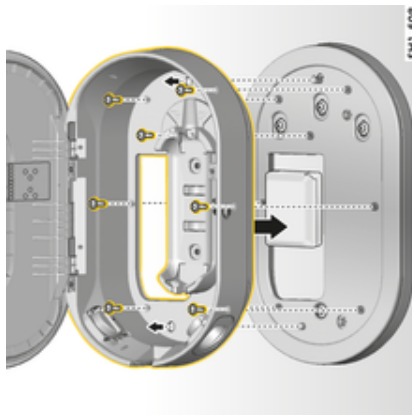
GB/T 20234.2  
Type GB



### בחירת כבלי מתח

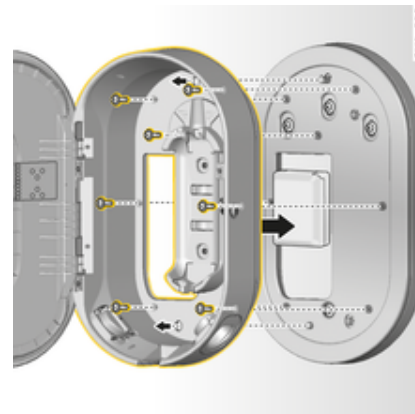
לטעינה רגילה במהירות טעינה מיטבית, השתמש רק בכבלי המתח המפורטים בהמשך. הספק הטעינה המרבי שאפשר להשיג הוא 22 קו"ט (ההספק תלוי בסוג ההתקן, בחיבור לרשת החשמל או הרשת

1. סמן את הקדחים על הקיר.
2. צור את הקדחים והכנס את הדיבלים.
3. הברג את לוח ההרכבה ואת התקן הריעוח אל הקיר.



איור 177: הברגת עמדת הטעינה אל לוח ההרכבה

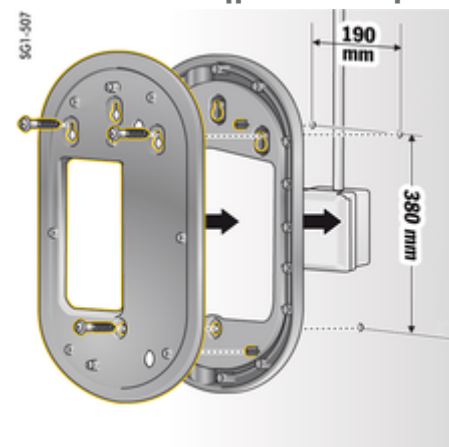
4. הברג את עמדת הטעינה אל לוח ההרכבה.



איור 175: הברגת עמדת הטעינה אל לוח ההרכבה

4. הברג את עמדת הטעינה אל לוח ההרכבה.

### התקנה עם התקן ריעוח



איור 176: מידות הקדחים

הביתית ובמטען המובנה). במהלך נהיגה בחו"ל, הקפד לשאת איתך את כבל המתח למטען המתאים לשימוש במדינה שבה אתה מבקר.

### שים לב

הקפד להשתמש אך ורק בכבלי המתח שאושרו לשימוש במדינה שבה אתה נמצא. כבלי המתח הבאים קיבלו אישורים עבור מדינות ספציפיות והם מוגדרים בטבלאות שלהלן:

מדינה	כבלי מתח
רוסיה, אוקראינה	C, 8, 7, 6, 5
אבו דאבי, ישראל, סינגפור	8, 7, 6, 5

אישור כבלי מתח במדינות שונות (דוגמאות) בהתאם לנסיבות, אורך הכבל של הרכב יכול להיות 2.5 או 7.5 מטרים. במדינות מסוימות מוגבל האורך הכולל של כבל המתח, של יחידת הבקרה ושל כבל הרכב. לדוגמה בשווייץ האורך מוגבל ל-5 מטרים ובישראל ובארצות הברית הוא מוגבל ל-7.5 מטרים<sup>1</sup>).

1. מועד ההדפסה. למידע נוסף פנה לנציג המורשה של פורשה או לספק החשמל המקומי שלך.

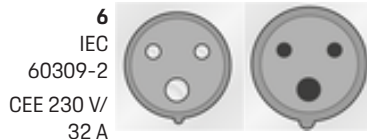
**כבלי מתח לשקעי חשמל ביתיים**

אם אין שקע חשמל תעשייתי זמין, אפשר להשתמש בכבלי המתח המפורטים להלן גם לצורך טעינה עם הספק טעינה מופחת.

◀ במדינות מסוימות, לדוגמה אבו דאבי, ישראל, סינגפור והודו<sup>1</sup>, **אסור** לבצע טעינה משקעי חשמל ביתיים.



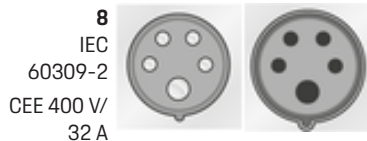
("Schuko")



6 ש"ע



6 ש"ע



6 ש"ע



**כבלי מתח לשקעי חשמל תעשייתיים**



6 ש"ע

1. מועד ההדפסה. למידע נוסף פנה לנציג המורשה של פורשה או לספק החשמל המקומי שלך.

**סוגים מתאימים של שקעי/תקעי חשמל**

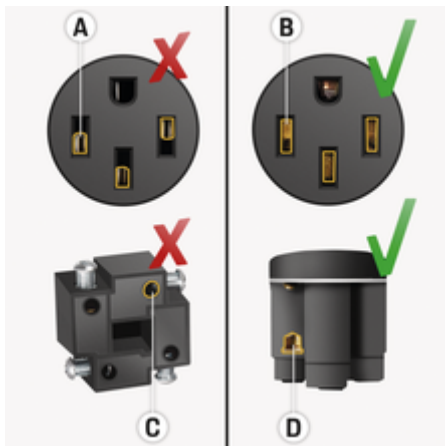
NEMA 6-50  
שקע/תקע



NEMA 14-50  
שקע/תקע



**דרישות לגבי איכות שקעי החשמל**



- A** גובה משטח המגע הוא רק חצי מהגובה של מגע התקע
- B** משטח המגע מכסה את מלוא הגובה של מגע התקע
- C** משטח מגע קטן בין בורג ההדק לכבל.
- D** משטח מגע רחב בין לוח ההדק לכבל

טעינת הרכב שלך עלולה לייצר זרמים חשמליים גבוהים. לכן, מטעמי בטיחות, יש להשתמש אך ורק בחלקים מאושרים ולהתקין את התקן הטעינה כולו באופן מקצועי.

**הוראות בטיחות כלליות**

מכת חשמל ושריפה!



**סכנה**

שימוש שגוי בציוד הטעינה ואי-הקפדה על הוראות ההתקנה והבטיחות עלולים לגרום לקצר חשמלי, התחשמלות, פיצוץ, שריפה או כוויית.

- ◀ יש להקפיד על הוראות ההתקנה המופיעות במדריך לציוד הטעינה.
- ◀ שים לב במיוחד לכל הודעות הבטיחות והאזהרה המופיעות בו.
- ◀ ודא שההתקנה מתבצעת על-ידי אדם בעל הכשרה מתאימה בתחום החשמל, שלרשותו הידע הרלוונטי.
- ◀ הקפד גם על התקנות הלאומיות בנוגע לביצוע התקנות חשמל.

**דרישות לגבי שקעי החשמל**

שקעי חשמל לא מתאימים



**סכנה**

- ◀ שקע חשמל לא מתאים עלול לגרום לקצר חשמלי, התחשמלות, פיצוץ, שריפה או כוויית.
- ◀ יש להשתמש אך ורק בסוג של שקע חשמל שמתאים למתקן זה (ראה **סוגים מתאימים של שקעי/תקעי חשמל**).
- ◀ יש להשתמש אך ורק בשקעי חשמל העומדים בדרישות של איכות משטחי המגע וההידוק (ראה **דרישות לאיכות שקעי החשמל**).
- ◀ הימנע ממגע ישיר בין בורגי ההדק לכבל. רצוי להשתמש בטבעות חיזוק בקצוות הכבל.
- ◀ אל תתקע את הכבל בבידוד.

**E**  
AS 3112  
Type I



**f**  
SEV 1011  
Type J



**G**  
DS60884-2-D1  
Type K



**H**  
CEI23-16-VII  
Typ L 16 A (5 mm)



**I**  
(BS IA6A3 546)  
Type M



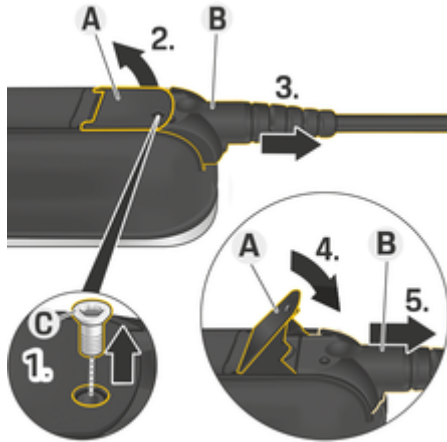
**NEMA 6-50/NEMA 14-50 (מידע נוסף)**

**i** מידע

טווח תוקף

המלצת שימוש זו תקפה רק באזורים שבהם חל תקן NEMA 6-50/NEMA 14-50.

**ניתוק כבלים**



איור 179: ניתוק כבלים

- ✓ הטעינה של הסוללה במתח גבוה הסתיימה ותקע הרכב הוצא מפתח הטעינה של הרכב.
- ✓ התקע נותק משקע החשמל.
- 1. הוצא את הבורג C איור 179) באמצעות כלי מתאים.
- 2. הרם את ידית A איור 179).
- 3. משוך החוצה את התקע B איור 179) עד שתרגיש התנגדות.
- 4. סגור את הידית A איור 179).
- 5. משוך החוצה את התקע B איור 179) עד הסוף.

במדינות מסוימות, למשל בנורבגיה, באיטליה, בפורטוגל ובספרד<sup>1</sup>, רק חשמלאי מוסמך רשאי להחליף את כבל המתח. פורשה ממליצה להיעזר בנציג מורשה של פורשה עבור השירות.



איור 178: חיבורים ביחידת הבקרה

ניתן להוציא את כבל המתח A ולהכניס אותו לחלק העליון של יחידת הבקרה.  
ניתן להוציא את הכבל של הרכב B ולהכניס אותו לחלק התחתון של יחידת הבקרה

**דרישות להתקנת כבלים**

כבל חשמל לא מתאים **סכנה** ⚠

השימוש בכבלי חשמל לא מתאימים או בזרמי חשמל גבוהים מדי עלול לגרום לקצר חשמלי, התחשמלות, פיצוץ, שריפה או כוויות.

- ◀ הכבל צריך לכלול נתיך של 50 אמפר.
- ◀ יש להקפיד להשתמש בכבלי נחושת עם חתך רוחב מינימלי של 8 AWG, או רצוי 6 AWG.

**דרישות להתקנה מחוץ לבית**

מגע ישיר עם גשם **סכנה** ⚠

אם משתמשים בציוד הטעינה בחוץ, מגע ישיר עם גשם עלול לגרום לקצר חשמלי, התחשמלות, פיצוץ, שריפה או כוויות.

- ◀ מנע מגע ישיר של ציוד הטעינה עם גשם.
- ◀ השתמש במעטפת NEMA 3R אטומה לגשם.

**טעינת כבלי מתח וכבלי רכב**

מכת חשמל **סכנה** ⚠

סכנה לפציעות חמורות ואף קטלניות כתוצאה ממכת חשמל.

- ◀ לפני החלפת כבל המתח, הקפד לנתק את כבל המתח מהשקע ולנתק את הכבל של הרכב מפתח הטעינה של הרכב.
- ◀ החלף כבלים בסביבה יבשה בלבד.
- ◀ השתמש רק בכבלים שאושרו על ידי פורשה.

<sup>1</sup>עיון בפרק "אביזרים מצורפים" בעמוד 366

1. מועד ההדפסה. ניתן לקבל מידע נוסף מנציג מורשה של פורשה או מחברת החשמל המקומית שלך.

לאחר השלמת ההורדה, ניתן להתחיל ישירות את ההתקנה או לדחות אותה למועד מאוחר יותר.

אם לא ניתן ליצור חיבור לאינטרנט עם המטען, ניתן גם להוריד את עדכוני התוכנה באופן ידני דרך כתובת הדפדפן באזור **E-Performance** בכתובת <https://www.porsche.com> ולהתקין אותם דרך יישום האינטרנט.

### בחירת רשת

בחר באפשרות לחיבור לרשת ביתית. ניתן לדלג על אפשרות זו באמצעות **Skip**. במקרה זה, לא ייווצר חיבור לרשת ביתית. אם המטען מחובר לרשת ביתית קיימת, פונקציות מתקדמות ומידע זמינים. החיבור יכול להתבצע באמצעות WiFi או רשת Powerline Communication (רשת PLC). אם אין רשת ביתית זמינה, ניתן להגדיר נקודה חמה במטען.

### מידע

רשתות WiFi ציבוריות ללא הגנת סיסמה אינן נתמכות ולא ניתן להשתמש בהן.

### חיבור באמצעות WiFi

1. בחר WiFi.
2. בחר את הרשת הביתית מתוך רשימת רשתות ה-WiFi שזוהו.
3. הזן את הסיסמה שלך ואשר אותה.

### חיבור באמצעות לחצן התאמת PLC

1. בחר **PLC linking button**.
  2. התחל את תהליך החיבור במודם ה-PLC. אשר על-ידי לחיצה על **OK** במטען.
- ברגע שההתקנה מחוברת, אשר באמצעות **Connect**.
- ➔ החיבור לרשת ה-PLC פעיל.


אם נוצר חיבור לרשת PLC, הסמל  יופיע בסרגל המצב.

## הפעלה וקביעת תצורה ראשונית

### הפעלה

קבע את התצורה של ההגדרות הבאות לפני שתתחיל להשתמש במטען בפעם הראשונה.

### מידע

- ניתן לדלג על אפשרויות שמסומנות ב-Skip. לא תיקבע תצורה עבור ההגדרה במקרה שכזה.
- ניתן לשנות את ההגדרות בתצוגה בכל עת .

### שפה ומדינה

1. בחר את השפה הנדרשת מתוך הרשימה. אשר את הבחירה.
2. בחר את המדינה הנדרשת מתוך הרשימה.
3. אשר את השפה והמדינה שנבחרו.

### שידור נתונים

◀ קרא את ההנחיות להעברת נתונים ואשר אותן.

### עדכוני תוכנה

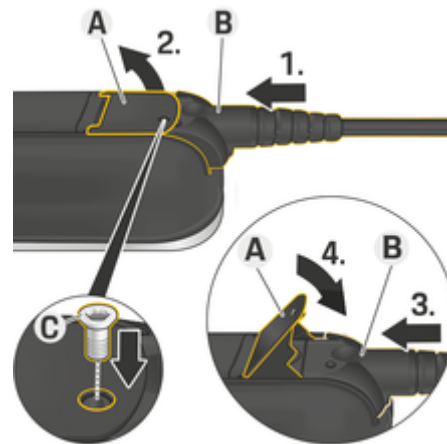
כדי לוודא שהמטען פועל בצורה מהימנה ועם טווח הפונקציות המלא שלו, יש להקפיד להתקין את התוכנה העדכנית ביותר.

◀ בחר את ההגדרות עבור עדכון התוכנה האוטומטי ואשר אותן.

**On** המטען בודק אם קיימים עדכוני תוכנה זמינים ומוריד אותם באופן אוטומטי. ניתן להתחיל ישירות את ההתקנה או לדחות אותה למועד מאוחר יותר.

**Off** המטען בודק אם קיימים עדכוני תוכנה זמינים ומציג הודעה בהתאם. לאחר מכן ניתן להפעיל את ההורדה באופן ידני.

### אבטחת כבלים




איור 180: חיבור הכבלים והתקעים

- ✓ הידית **A** איור 180) סגורה.
- 1. הכנס את התקע **B** איור 180) ליחידת הבקרה עד שתרגיש התנגדות.
- 2. הרם את ידית **A** איור 180).
- 3. דחף את התקע **B** איור 180) פנימה עד הסוף.
- 4. סגור את הידית **A** איור 180).
- 5. הדק את התקע **B** איור 180) ליחידת הבקרה באמצעות הבורג **C** איור 180).



**חיבור באמצעות PLC security code**

עבור שיטה זו, יש להשתמש בהתקן המכיל את תוכנת הבקרה עבור רשת ה-PLC.

1. כדי ליצור חיבור לרשת PLC באמצעות קוד האבטחה, בחר **PLC security code**.  
 → קוד האבטחה מופיע בתצוגה.
  2. הוץ את קוד האבטחה בתפריט הרלוונטי של תוכנת הבקרה עבור רשת ה-PLC כדי לשלב את המטען ברשת ה-PLC.  
 → החיבור לרשת ה-PLC פעיל.
- אם נוצר חיבור לרשת PLC, הסמל  יופיע בסרגל המצב.

**מידע**

מאפייני PLC:

- ממשקים נפרדים לרכב ולתשתית
- PLC עד IEEE P1901
- תקע ביתי AV
- הצפנה: AES 128 סיביות
- פס תדרים: 2-30 MHz

**פרופילי משתמשים (התאמת המזהה של פורשה)**

כאשר המטען מותאם למזהה הפורשה שלך, ניתן להציג מידע על המטען ועל תהליכי הטעינה ב-Porsche Connect וב־Porsche Connect.

**כדי להתאים את המטען למזהה הפורשה שלך:**

- ◀ פתח את אתר האינטרנט המופיע בתצוגת המטען בדפדפן של ההתקן והזן את קוד המשתמש.  
 - **QR** -  
 סרוק את קוד ה-QR המוצג במטען. ניתן לסרוק את קוד ה-QR בדרכים הבאות:
  - באמצעות היישום Porsche Connect (My Account > **Charging cables & devices** > Scan QR code).
  - באמצעות המצלמה שבהתקן (iOS11, ואילך, שונה עבור Android).
  - באמצעות יישום המיועד לסריקת קודי QR.
- אם המטען הותאם בהצלחה, Installation assistant עובר לשלב הבא.


**חיבור מנהל האנרגיה**

- אם קיים מנהל אנרגיה, ניתן ליצור אליו חיבור. מנהל האנרגיה לוקח את השליטה על תהליך הטעינה.
  - ◀ לקבלת הוראות לחיבור, עיין בספר הוראות ההפעלה של מנהל האנרגיה.
- אם אין מנהל אנרגיה, הרכב יטען בזרם הטעינה אשר הוץן במטען:

◀ **Adapt charging current**  **Settings**

עייין בפרק "התאמת זרם הטעינה" בעמוד 379

**נקודת חיבור**

- אם לא ניתן לשלב אותו ברשת הביתית, המטען יכול להפעיל נקודת חיבור ולהשתמש בו כדי ליצור חיבור ל-Web Application של המטען.
- ◀ כדי ליצור נקודת חיבור, לחץ על **Activate hotspot**.
- לאחר יצירת נקודת חיבור, הסמל  מופיע בסרגל המצב.

**מידע**

אם אתה משתמש במערכת Android, ייתכן שיהיה עליך לאשר בנפרד שהחיבור נוצר, כך שניתן יהיה ליצור חיבור לנקודת חיבור.

**התאמת זרם הטעינה**

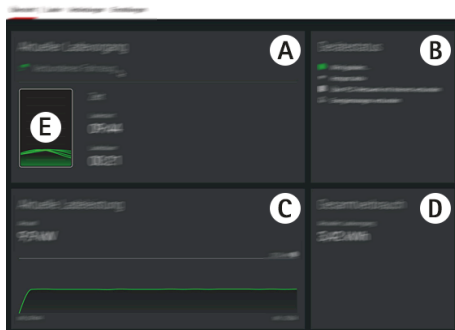
- אם לא קיים מנהל אנרגיה ברשת הביתית, ניתן להגדיר כאן את זרם הטעינה המרבי המותר עבור המטען.
- הערך המרבי שמוצג נקבע לפי סוגי הכבלים המחוברים.
- ◀ הגדר את זרם הטעינה לערך המרבי הקיים ברשת החשמל המשמשת את המטען. לשם כך, השתמש בסימנים **Minus**-**Plus**.
- עייין בפרק "הגבלת זרם הטעינה" בעמוד 383

**הגנה על ההתקן**

- כדי למנוע מכלי רכב לא מורשה להתחבר למטען, ניתן להגדיר PIN prompt (הנחיה ל-PIN).
- 1. להפעלת ההנחיה ל-PIN, בחר **On**.
- 2. הוץן PIN בעל 4 ספרות ואשר.
- 3. הוץן את ה-PIN שוב ואשר אותו.  
 → הפעלת ההנחיה ל-PIN אושרה.

**השלמת ההתקנה**

- ◀ באמצעות **Review**, בדוק את ההגדרות שהזנת וסיים את ההתקנה.



איור 181: לוח המחוונים של יישום האינטרנט

**A Current charging process**

הצגת מידע לגבי תהליך הטעינה הנוכחי, למשל שעת ההתחלה ומשך הטעינה.

**B Device status**

הצגת מידע על ההתקן, כגון:

- מצב טעינת הזרם
- חיבור הרשת שנמצא בשימוש
- מצב החיבור למנהל האנרגיה (אם ישנו כזה)
- האם קיים עדכון תוכנה זמין
- השבתת ניטור הארקה

**C Current charging performance**

זרימת זרם החשמל (ביחידות קילוואט) מהמטען לעומס.

מאפיין: בעקומה מוצגת ההתקדמות של הספק הטעינה מתחילת הטעינה, וצריכת האנרגיה הכוללת (ביחידות קילוואט).  
 בחר שעה בעקומה כדי להציג את נקודת הטעינה באותה שעה.

**D Consumption**

צריכת האנרגיה הכוללת של תהליך טעינת הזרם (ביחידות קילוואט-שעה).

## כניסה למטען

### מידע

ניתן למצוא את נתוני הכניסה למטען במכתב המצורף, המכיל נתוני גישה. שדה האבטחה מכיל את קודי הגישה (PIN ו-PUK). שדה זה כולל דיו מיוחד לכיסוי קודים אלה.

קודים אלה נראים לעין רק כאשר מרטיבים מעט את השדה במים זורמים.

אין לשפשף או לשרוט את השדה תוך כדי הרטבה, מכיוון שעלול להיגרם נזק גם לקודים.

✓ המטען מופעל.

✓ המכתב המכיל את נתוני הגישה נמצא בהישג יד.

1. מצא את ה-PIN מהמכתב. כדי לעשות זאת, הרטב מעט את שדה האבטחה כדי לחשוף את ה-PIN.
2. הזן את ה-PIN.

## התחלת ההגדרה במטען

הגדרת המטען מתבצעת באמצעות אשף ההגדרה, אשר מדריך אותך בשלבים השונים של תהליך ההתקנה. יש להשלים את ההגדרה לפני שניתן יהיה להשתמש במטען בצורה נכונה.

לקבלת פרטים בנוגע להגדרת המטען, עיין בספר הוראות הפעלה של Mobile Charger Connect של פורשה.

## סקירה כללית

יישום האינטרנט מציע מגוון רחב יותר של אפשרויות הגדרה מאשר המטען.

## הכנסה לשימוש בעזרת האפליקציה המקוונת

על מנת להכין את המטען ואת Web Application לשימוש יומיומי, יש להגדיר את המטען בצעד אחד. בשלב הבא יש ליצור חיבור בין ההתקן שלך (מחשב, טאבלט או טלפון חכם) למטען.

## דרישות להפעלה ראשונית באפליקציה המקוונת

הכן את המידע הבא לקראת השימוש הראשון של Web Application:

- מכתב נתוני גישה של Porsche Mobile Charger Connect לצורך כניסה ל-Web Application של המטען
- נתוני גישה עבור הרשת הביתית שלך
- נתוני גישה עבור פרופיל המשתמש (לצורך קישור אל מזהה פורשה שלך)

האפליקציה המקוונת תומכת בדפדפנים הבאים:

- Google Chrome גרסה 57 ומעלה (מומלץ)
- Mozilla Firefox גרסה 52 ומעלה (מומלץ)
- Microsoft Internet Explorer גרסה 11 ומעלה
- Microsoft Edge
- Apple Safari גרסה 10 ומעלה

**E מצב טעינה**

הצבע שמופיע בלוח המחוונים מציין את מצב הטעינה של המטען:

- אדום: הודעת שגיאה
- כחול: הטעינה הושהתה
- ירוק: הרכב בטעינה
- לבן: אין רכב המחובר למטען

**הפעלה של הוראות הפעלה**

- ◀ במדינות מסוימות, יש לדווח לרשויות הרלוונטיות על חיבור ציוד טעינה של כלי רכב חשמליים.
- ◀ בדוק את חובות ההודעה לרשויות ואת הדרישות המשפטיות להפעלה לפני חיבור ציוד הטעינה.

**שים לב**

נזק אפשרי למטען

- ◀ הקפד להניח את המטען על משטח יציב בזמן הטעינה.
- ◀ פורשה ממליצה להפעיל את המטען בתושבת הקיר הבסיסית או בעמדת הטעינה. בחלק מהמדינות, למשל בשווייץ<sup>1</sup>, ניתן להשתמש במטען רק בתושבת הקיר הבסיסית או בעמדת הטעינה.
- ◀ אין לטבול את המטען במים.
- ◀ הגן על המטען מפני שלג וקרח.
- ◀ יש לטפל במטען בזהירות ולהגן עליו מפני נזק פוטנציאלי כתוצאה מדריסה, מנפילה, ממשכה, מכיפוף או ממעיכה.
- ◀ אין לפתוח את המארז המטען.

**שים לב**

נזק אפשרי למטען

יש להפעיל את המטען אך ורק בטווח טמפרטורה שנע בין 30°C ל-50°C.

- ◀ כדי למנוע חימום יתר בזמן ההפעלה, אין לחשוף את המטען לקרינת שמש ישירה לפרקי זמן ארוכים. אם המטען מתחמם יתר על המידה, הטעינה תופסק באופן אוטומטי עד שהטמפרטורה תחזור לטווח הרגיל.
- ◀ אם המטען חם מדי או קר מדי, אפשר לו לחזור באיטיות אל טווח טמפרטורת ההפעלה ואל תצנן אותו או תחמם אותו באופן פעיל, למשל על-ידי קירורו באמצעות מים קרים או חימומו על-ידי מייבש שיער.

1. שעת הדפסה: למידע נוסף, פנה לנציג המורשה של פורשה.

## טעינה של

### הוראות טעינה

#### פתח הטעינה של הרכב

לקבלת מידע על חיבור הכבל של הרכב לפתח הטעינה של הרכב, ניתוק הכבל מפתח הטעינה ומצב הטעינה והחיבור בפתח הטעינה של הרכב:

עייין בספר הוראות ההפעלה לנהג.

מכת חשמל, שריפה

**⚠ סכנה**

סכנה לפציעות חמורות ואף קטלניות כתוצאה משריפה או מכת חשמל.

- ⊖ הקפד תמיד על רצף הפעולות שצוין עבור הליך הטעינה.
- ⊖ אין לנתק את הכבל של הרכב מפתח הטעינה של הרכב במהלך הטעינה.
- ⊖ סיים את תהליך הטעינה לפני ניתוק הכבל של הרכב מפתח הטעינה של הרכב.
- ⊖ אין לנתק את המטען משקע החשמל במהלך הטעינה.

שגיאות מופיעות בתצוגה ומצינויות על-ידי נורות LED בצבע אדום. הודעת השגיאה, הסיבה ופעולה מתקנת מופיעות.

עייין בפרק "תקלות" בעמוד 393

#### זמני טעינה

הזמן הנדרש לטעינה עשוי להשתנות בהתאם לגורמים הבאים:

- ⊖ שקע החשמל הנמצא בשימוש (שקע חשמל ביתי או שקע חשמל תעשייתי)
- ⊖ המתח והזרם החשמלי ברשתות החשמל במדינה הספציפית

- ⊖ ההגדרות של הגבלת זרם הטעינה במטען
- ⊖ תנודות ואי יציבות במתח של רשת החשמל
- ⊖ טמפרטורת הסביבה של הרכב והמטען. זמני הטעינה עשויים להיות ארוכים יותר אם הטמפרטורה נמצאת בטווחי המגבלות של טמפרטורת הסביבה המותרת.
- ⊖ עייין בפרק "הפעלה והשבתה של ניטור ההארקה" בעמוד 383
- ⊖ הטמפרטורה של הסוללה במתח גבוה ושל יחידת הבקרה
- ⊖ הפעלה של קירור/חימום מראש של תא הנוסעים
- ⊖ קיבולת נושאת זרם של תקע החשמל ושל תקע הרכב

#### מידע

עקב ההבדלים בין רשתות החשמל במדינות שונות, מצורפים כבלים מכמה גרסאות. הדבר עלול לגרום לכך שהספק הטעינה המלא לא יהיה זמין. למידע נוסף, פנה לנציג המורשה של פורשה.

### התחלה, השהיה וסיום הטעינה

#### התחלת הטעינה

1. הכנס את התקע לשקע החשמל.
    - ☉ לחצן ההפעלה מואר בצבע לבן.
    - נורות ה-LED המצינויות מצב נדלקות בלבן.
    - ➔ התצוגה נדלקת.
  2. הכנס את תקע הרכב לפתח הטעינה של הרכב.
    - ☉ לחצן ההפעלה מואר בצבע לבן.
    - נורות ה-LED המצינויות מצב מהבהבות בצבע לבן.
- לקבלת מידע על חיבור הכבל של הרכב לפתח הטעינה של הרכב:

- ⊖ עייין בספר הוראות ההפעלה לנהג.
- ➔ לאחר שבדיקה עצמית בוצעה בהצלחה וכאשר נוצר חיבור, נורות ה-LED המצינויות מצב מוארות בצבע לבן.
- 3. הטעינה מתחילה באופן אוטומטי.
  - ☉ לחצן ההפעלה מואר בצבע לבן.
  - נורות ה-LED המצינויות מצב פועמות בצבע ירוק.
- 4. לאחר כמה דקות, המטען עובר למצב המתנה.
  - ➔ טעינת הרכב מתחילה.

#### מידע

- ⊖ הטעינה נשלטת על-ידי הרכב. ניתן לעצור את הטעינה ברכב בלבד.
- ⊖ מצב הטעינה מופיע בתצוגה בתנאי שהמטען לא נמצא במצב המתנה. ניתן להפעיל שוב את התצוגה על-ידי לחיצה על לחצן ההפעלה ☉.
- ⊖ פונקציית כיבוי במקרה של טמפרטורה גבוהה מדי מונעת חימום יתר במהלך הטעינה.

#### השהיית הטעינה

- הטעינה נשלטת על-ידי הרכב ועשויה מדי פעם להיכנס להשהיה, למשל כדי למטב את צריכת החשמל.
- השהיה בטעינה מצוינת ביחידת הבקרה:
- ⊖ לחצן ההפעלה מואר בצבע לבן.
  - נורות ה-LED המצינויות מצב מהבהבות בצבע כחול.
- התצוגה נדלקת.
- טעינת הרכב מתחילה שוב באופן אוטומטי. ניתן לעצור את הטעינה ברכב.

## הפעלה והשבתה של ניטור ההארקה

מכת חשמל, קצר חשמלי, שריפה, פיצוץ **⚠ סכנה**

השימוש במטען ללא Ground monitoring פעיל עלול לגרום למכות חשמל, ללקצרים, לשריפות, לפיצוצים או לכוויות.

- ◀ מומלץ להפעיל את המטען ברשתות חשמל מוארקות היטב.
- ◀ יש להשבית ground monitoring רק ברשתות חשמל שאינן מוארקות.
- ◀ הפעל ניטור הארקה ברשתות חשמל מוארקות.

עייין בפרק "הפעלת ניטור ההארקה" בעמוד 384

## השבתת ניטור ההארקה

- ◀ מופיעה הודעת שגיאה על המסך שמציינת כי מוליך מגן הופסק או חסר.
- ◀ הפונקציה ground monitoring הפסיקה את תהליך הטעינה או מנעה ממנו להתחיל.
  - ☺ לחצן ההפעלה מואר בצבע אדום.
  - נורות ה-LED המציינות מצב דולקות בצבע אדום.
- 1. כדי להשבית את ניטור ההארקה, אשר את הודעת השגיאה באמצעות **Confirm**.
- 2. לחץ לחיצה ארוכה על לחצן ההפעלה ☺ למשך 3 שניות.
- 3. אשר את השבתת ניטור ההארקה באמצעות **Confirm**.
  - ➔ הניטור יישאר כבוי במהלך תהליכי הטעינה הבאים.

- ◀ תשתית טעינה המתאימה לפונקציה Plug & Charge.
- ◀ החוזה עם ספק הטעינה כולל את הפונקציה Plug & Charge.

## Private Plug & Charge

אם ב-Mobile Charger Connect מופעלת הגנת המכשיר, אפשר להתחיל את תהליך הטעינה רק על-ידי הזנת ה-PIN עיין בפרק "הגנה על ההתקן" בעמוד 379 זה משמש להגנה מפני גישה לא מורשית.

## רשימת רכב (רישום הרכב)

לאחר הזנת ה-PIN תוצג בפניך השאלה אם לכלול את הרכב נמצא ברשימת הרכבים של Mobile Charger Connect. אם תאשר, לאחר שיוך חד-פעמי של הרכב ל-Mobile Charger Connect הרכב יזוהה עם חיבור כבל הטעינה, ותהליך הטעינה יופעל מיידית. לכן, לא תצטרך יותר להזין קוד PIN עבור תהליכי הטעינה הבאים עבור רכב זה.

## העלאה של רשימת הרכבים

אפשר לרשום כמה כלי רכב ב-Mobile Charger Connect. כל רכב יופיע ברשומה נפרדת ברשימת הרכבים.

◀ **Settings** ⚙ בחר את רשימת רכבים.

רשימה זו מאפשרת גם להסיר כלי רכב.

## הפסקת הטעינה

- ◀ תהליך הטעינה הסתיים בהצלחה.
  - ☺ לחצן ההפעלה מואר בצבע לבן.
  - נורות ה-LED המציינות מצב נדלקות בצבע ירוק.
- התצוגה מופעלת ומציגה מידע על תהליך הטעינה שהושלם. לאחר כמה דקות, המטען עובר למצב המתנה.
- ◀ נתק את תקע הרכב מפתח הטעינה של הרכב.

## הגבלת זרם הטעינה

יחידת הבקרה מזהה את המתח ואת הזרם הזמין באופן אוטומטי. ניתן להגדיר את הספק הטעינה שישמש את תהליך הטעינה על-ידי הגבלת זרם הטעינה. זרם הטעינה האחרון שהוגדר נשמר. כדי למנוע התחממות יתר של התקנת החשמל, זרם הטעינה מוגבל באופן אוטומטי ל-50% בעת המסירה, כאשר נעשה שימוש בשקעי חשמל ביתיים.

אם המטען מחובר למנהל אנרגיה, זרם הטעינה מוגבל בהתאם לערכים שהוגדרו מראש במנהל האנרגיה. בנוסף, ניתן גם להפחית את זרם הטעינה הנוכחי הזמין על-ידי צרכנים אחרים ברשת הביתית, למשל מחמם חשמלי או דוד מים. על-יך להקפיד שלא להגדיר ערך הספק טעינה שהנו גבוה מההספק המרבי הקיים במעגל החשמלי שנמצא בשימוש. אם יש לך ספק, פנה לחשמלאי מוסמך.

## Plug & Charge

בעזרת הפונקציה Plug & Charge, אפשר לטעון את הרכב באמצעות תשתית טעינה מתאימה בשטחים פרטיים וציבוריים, ללא צורך באתחול ידני של תהליך הטעינה בתחנת הטעינה החשמלית או במטען. החיוב הכספי בגין תהליך הטעינה מבוצע באופן אוטומטי על פי החוזה עם ספק זרם הטעינה.

- ◀ פונקציות טעינה חכמות ברכב מופעלות.

למידע על יישום האינטרנט, עיין בספר הוראות הפעלה בכתובת <https://www.porsche.com/international/aboutporsche/e-performance/help-and-contact>

### מידע

- ייתכן ש-Web Application לא ייפתח מיד, הדבר תלוי בדפדפן שבו אתה משתמש. במקום זאת, ייתכן שתופיע תחילה הודעה על הגדרות האבטחה של הדפדפן.
- ייתכן שיהיה עליך להזין את מפתח הרשת בעת פתיחת ה-Web Application. הדבר תלוי במערכת ההפעלה של ההתקן.

### פתיחת יישום האינטרנט דרך נקודת חיבור

ניתן לפתוח את יישום האינטרנט באמצעות התקן (מחשב, טאבלט או טלפון חכם) דרך נקודת חיבור שהוגדרה על-ידי המטען. כדי להגדיר נקודת חיבור:

- ◀ עיין בפרק "נקודת חיבור" בעמוד 379
- ◀ כדי לפתוח את Web Application כאשר נקודת חיבור פעילה, הזן את כתובת ה-IP הבאה בשורת הכתובת של הדפדפן: 192.168.0.1

### פתיחת יישום האינטרנט באמצעות WiFi

ניתן לפתוח את Web Application בדפדפן שבהתקן (מחשב, טאבלט או טלפון חכם) המחובר לאותה רשת ביתית שאליה מחובר המטען.

- הזז את כתובת ה-IP הנוכחית של המטען בשורת הכתובת של הדפדפן. תוכל למצוא את כתובת ה-IP תחת **Network** ◀ **Network** ◀ **Settings** information.
- **IA** -
- הזן את שם המחשב המארח של המטען בשורת הכתובת של הדפדפן. תוכל למצוא את שם המחשב המארח במכתב המכיל נתוני גישה.

### הפעלת ניטור ההארקה

אם המטען מופעל ברשת חשמל מוארקת, הפעל ground monitoring.

1. פתח את התפריט **Ground monitoring**.
  2. הפעל את ניטור ההארקה באמצעות **Activate Ground monitoring**.
- כאשר ניטור ההארקה מופעל, פריט התפריט **Ground monitoring** לא יופיע בתפריט **Settings**.

### התחברות ליישום האינטרנט

לשימוש סטנדרטי ב-Web Application, בחר את סוג המשתמש 'משתמש ביתי'. למשתמש מסוג שירות לקוחות יש גישה לאפשרויות הגדרה נוספות, והוא מיועד לנציג המורשה של פורשה למטרות שירות.

- ↘ נתוני הגישה נמצאים בהישג יד.
- 1. בחר את המשתמש המתאים בשדה **User**.
- 2. הזן את הסיסמה (מהמכתב המכיל את נתוני הגישה).

### מידע

לאחר 25 דקות של חוסר פעילות, המשתמש יוצא באופן אוטומטי מ-Web Application.

### פתיחת יישום האינטרנט

אפשרויות תצורה נוספות ומידע מפורט על תהליכי טעינה קיימים זמינים באמצעות Web Application שתוכנן במיוחד עבור כל מטען.

## השימוש ביישום האינטרנט פתיחת יישום האינטרנט

### יצירת חיבור למטען

אם המטען שולב ברשת הביתית הקיימת (WiFi או Powerline Communication) במהלך ההגדרה, ניתן לגשת אל Web Application באמצעות כתובת ה-IP שהוקצתה. לקבלת מידע על יצירת חיבורי רשת, ראו עיין בפרק "חיבורים" בעמוד 386.

### פתיחת יישום האינטרנט באמצעות WiFi

ההתקן והמטען נמצאים באותה רשת WiFi.

1. פתח את הדפדפן.
2. בשורת הכתובת של הדפדפן: הזן את כתובת ה-IP שהוקצתה במהלך ההגדרה (דרך **Settings** < **Network information** < **Network** במטען), או שם המארח של המטען (במכתב המכיל את נתוני הגישה).

### פתיחת יישום האינטרנט באמצעות Powerline Communication

ההתקן והמטען נמצאים באותה רשת דרך חיבור PLC.

1. פתח את הדפדפן.
2. בשורת הכתובת של הדפדפן: הזן את כתובת ה-IP שהוקצתה במהלך ההגדרה (דרך **Settings** < **Network information** < **Network** במטען).

### פתיחת יישום האינטרנט דרך נקודת חיבור

לחלופין, ניתן ליצור חיבור דרך נקודת חיבור. למטען יש נקודת גישה אלחוטית (נקודת חיבור), שמוגנת באמצעות סיסמה ומחייבת כניסה ידנית. התקן קצה עם תמיכה ב-WiFi יכול להתחבר לנקודה החמה

ולאחר מכן לגשת אל Web Application של המטען. ב-Web Application, ניתן לשלב את המטען ברשת הביתית בכל שלב.

המטען מופעל. המטען מפעיל באופן אוטומטי את נקודת החיבור שלו ל-WiFi.

1. בהתקן שלך, לחץ על הסמל של הרשת או ה-WiFi בסרגל המשימות או בחלונית ההודעות.
2. בחר את רשת ה-WiFi מהרשימה. שם רשת ה-WiFi זהה ל-SSID במכתב המכיל את נתוני הגישה, ומוצג בתור **ICCPD-#####**.
3. לחץ על הלחצן Connect.
4. בשדה **Security code**, הזן את קוד אבטחה (המופיע כ-**WiFi PSK** במכתב המכיל את נתוני הגישה).  
 → החיבור לרשת ה-WiFi נוצר.

שים לב: במערכת ההפעלה Windows 10 תתבקש תחילה להזין את ה-PIN של הנתב. בחר את הקישור התחבר באמצעות קוד אבטחת רשת במקום זאת, ולאחר מכן הזן את הקוד.

5. פתח את הדפדפן.
6. הזן את כתובת ה-IP הבאה בשורת הכתובת של הדפדפן שלך: **192.168.0.1**.

### מידע

אם ההתקן שלך נמצא ברשת ביתית, הוא לא יכול יותר לגשת אל Web Application דרך כתובת ה-IP של נקודת החיבור (192.168.0.1), אלא רק דרך כתובת ה-IP שהוקצתה באופן אוטומטי או שם המארח של המטען.

– רשומות כתובת IP קיימות:

– Web Application: **Maintenance** < **Device information**

– מטען: **Settings** < **Networks** < **Network information**

– רשומות שם מארח קיימות:

– מכתב הכולל את נתוני הגישה

– Web Application: **Maintenance** < **Device information**

### ניתוב מחדש ליישום האינטרנט

### מידע

ייתכן ש-Web Application לא ייפתח מיד, הדבר תלוי בדפדפן שבו אתה משתמש. במקום זאת, ייתכן שתופיע תחילה הודעה על הגדרות האבטחה של הדפדפן.

1. בהודעת האזהרה של הדפדפן שמופיעה, בחר **Advanced**.
2. בתיבת הדו-שיח הבאה, בחר **Add exception**.  
 → אישור ה-SSL מאושר ל-Web Application ונפתח.

### היסטוריית טעינה

תהליכי הטעינה של המטען מפורטים כאן בסדר כרונולוגי. המידע הבא זמין עבור כל תהליך טעינה:

- שעה
- משך הטעינה
- צריכה

### נקודת חיבור

ההתקן שלך יכול להתחבר ישירות למטען דרך נקודת החיבור המובנית שלו ל-WiFi.

1. בחר **Configure hotspot**.
2. בהגדרות, הוץ את שם הרשת וקוד האבטחה של נקודת החיבור.
- ◀ לקבלת מידע על יצירת חיבור באמצעות נקודת חיבור, עיין בפרק "פתיחת יישום האינטרנט" בעמוד 385.

### WiFi

#### מידע ⓘ

אם המטען כבר מחובר להתקן דרך נקודת חיבור, לא ניתן ליצור באותה עת חיבור לרשת WiFi. תחילה עליך להשבית את נקודת החיבור.

1. הפעל את ה-WiFi.
2. בחר אפשרות **Connect to network**.
3. בחר את הרשת מתוך הרשימה והזן את **Security code. Other network**: בחר את האפשרות הזו אם נעשה שימוש ברשת שלא מופיעה ברשימה.
4. בחר אם להקצות אוטומטית את כתובת ה-IP (מומלץ).  
 ➔ כתובת ה-IP מופיעה לאחר שנוצר חיבור לרשת.  
 המצב **Connected** מופיע ליד הרשת ברשימה.

#### מידע ⓘ

אם ההתקן שלך נמצא ברשת ביתית, הוא לא יכול יותר לגשת אל Web Application דרך כתובת ה-IP של נקודת החיבור (192.168.0.1). אלא רק דרך כתובת ה-IP שהוקצתה באופן אוטומטי או שם המארח של המטען.

- רשומות כתובת IP קיימות:  
Web Application: **Maintenance ◀ Device information**
- מטען: **Settings ⚙ ◀ Networks ◀ Network information**
- רשומות שם מארח קיימות:  
מכתב הכולל את נתוני הגישה
- Web Application: **Maintenance ◀ Device information**

#### מידע ⓘ

אם תעבור תוך כדי ההתקנה ממצב נקודת חיבור אל חיבור לרשת WiFi או להיפך, יהיה עליך להתחבר פעם נוספת.

ניתן לעבור לרשת הביתית עם Powerline Communication בזמן שיש חיבור פעיל לנקודת חיבור בלי להפעיל מחדש.

#### מידע ⓘ

אם תשתמש ב-Web Application, יש להשבית את החיבור לנקודת החיבור רק אם ניתן להשתמש בחיבור לרשת ביתית.

- ◀ בחר את החיבור הרצוי לרשת (נקודת חיבור, WiFi (PowerLine Communication

- עלות (אם מנהל האנרגיה מחובר)
- החשבון שנמצא בשימוש (אם נבחר חשבון במהלך הטעינה הפעילה)
- Web Application מאפשר לייצא את היסטוריית הטעינה כקובץ Excel.

1. בחר **Export charging history**.
2. נווט למקום האחסון הרצוי ושמור את הקובץ.

#### מידע ⓘ

עבור כל תהליך טעינה פעיל, החשבונות **Work** ו-**Private** זמינים לבחירה למטרות הערכה. ניתן לבחור את החשבון דרך המידע לגבי תהליך הטעינה (**Charging process**) הנוכחי (הסמל i בסרגל התפריטים) במטען. הבחירה שלך מיושמת גם בתהליך הטעינה הבא, כך שיש לשנות אותה אם יש בכך צורך.

### - חיבורים

כדי לגשת אל Web Application של המטען, למידע של המטען ולהגדרות שלו, ההתקן שלך והמטען חייבים להיות מחוברים לאותה רשת ביתית (דרך WiFi או חיבור PLC). ניתן להשתמש בכל הפונקציות של Web Application דרך חיבור האינטרנט של הרשת הביתית.

אם לא קיימת רשת ביתית זמינה במקום השימוש, ההתקן שלך (מחשב, טאבלט או טלפון חכם) יכול להתחבר ישירות למטען באמצעות נקודת החיבור שלו ל-Wi-Fi. עם זאת, במקרה זה לא קיים חיבור לאינטרנט, וניתן להשתמש רק בפונקציות שהותקנו באופן מקומי.



ניהול רשתות WiFi

אפשרות	הסבר
Other network	<ul style="list-style-type: none"> <li>בחר את האפשרות הזו אם הרשת שלך לא מופיעה ברשימה.</li> </ul>
Manage known networks	<ul style="list-style-type: none"> <li>בחר <b>Delete</b> כדי להסיר רשתות שמורות. בדרך זו המטען יהיה ברשת הנכונה.</li> </ul>

התנתקות מהרשת

- בחר את הרשת המחוברת כרגע.
- בחר **Disconnect** כדי להתנתק מרשת ה-WiFi.

הגדרת חיבור לרשת

- בחר את הרשת המחוברת כרגע.
- בחר **Configure** כדי לשנות את ההגדרות של רשת IPv4 ושרת ה-DNS.

**i** מידע

החיבור לרשת מבוסס על פס תדרים של 2.4GHz. אם מתעוררות בעיות חיבור, השבת את פס התדרים 5GHz בנתב של הרשת.

PowerLine Communication

כחלופה ל-WiFi, ניתן לחבר את המטען לרשת הביתית דרך חיבור PLC. לשם כך, רשת החשמל הקיימת משמשת לצורך הגדרת רשת מקומית המיועדת להעברת נתונים. המטען נרשם כלקוח ברשת PLC.

כדי ליצור חיבור, ניתן לחבר בין המטען למודם ה-PLC באמצעות לחצני ההתאמה שלהם. במקרה זה, המטען מותאם באופן אוטומטי למודם ה-PLC. שיטת חיבור אחרת היא להזין את קוד האבטחה של המטען במודם ה-PLC.

1. הפעל את האפשרות **Powerline Communication (PLC)**.

2. הוסף את המטען לרשת ה-PLC:

- **אפשרות 1:** באמצעות לחצן ההתאמה:

**א.** ב-Web Application, בחר **Establish connection with PLC push method**.

**ב.** בחר **Start pairing**.

**ג.** כדי ליצור חיבור, לחץ על לחצן ההתאמה במודם ה-PLC תוך 2 דקות.

**ד.** בחר בלחצן **Connect** כדי לאשר את ההתאמה.

- **אפשרות 2:** על-ידי הזנת קוד האבטחה ל-PLC:

**א.** בחר אפשרות **Establish connection with PLC security code**. קוד האבטחה מוצג.

**ב.** הזן את קוד האבטחה בהגדרות של מודם ה-PLC.

➔ המטען משולב ברשת ה-PLC ונוצר חיבור.

חיבור PLC לרכב

רק משתמשי **Customer service** יכולים לראות את הפונקציה הזו ולהגדיר אותה. אם חיבור ה-PLC מושבת, נפסקת העברת הנתונים לרכב דרך הכבל. חובה להשתמש במצב זה במהלך מדידות מסוימות, לדוגמה.

כאשר העברת הנתונים פעילה, הטעינה מתבססת על פרוטוקול הטעינה (תקשורת ברמה גבוהה) כבירית מחדל.

כאשר העברת הנתונים מושבת, הטעינה מתבססת על פרמטרים חשמליים (מודולציית רוחב פולס).

הוספת מנהל האנרגיה

כדי שהאחריות על הטעינה תעבור למנהל האנרגיה, יש לחבר תחילה את המטען (התקן EEBus) ואת מנהל האנרגיה זה לזה. ניתן ליצור חיבור ב-Web Application של מנהל האנרגיה וגם ב-Web Application של המטען (או ישירות במטען).

יצירת חיבור למטען או למנהל האנרגיה

«הנהל ליצירת החיבור למטען מתואר בפרק "הוספת התקן EEBus" בהוראות לגבי יישום האינטרנט של מנהל האנרגיה של Porsche Home.

יצירת חיבור למנהל האנרגיה או למטען

↘ המטען ומנהל האנרגיה נמצאים באותה רשת.

1. ב-Web Application של המטען, נווט אל

**Energy manager** < **Connections**.

➔ מנהל האנרגיה מופיע ברשימה **Available energy managers**.

2. בחר והרחב את מנהל האנרגיה.

3. בחר **Pair device**.

➔ החיבור נבדק.

4. בתיבת הדו-שיח **Establish connection**, בדוק את

הזהות של מנהל האנרגיה שוב באמצעות המספר המזהה (SKI), לאחר מכן בחר **Connect**.

➔ מנהל האנרגיה חובר בהצלחה ומצב **Energy manager connected** מופיע.

המטען עובר להשתמש בהגדרות של מנהל האנרגיה (למשל מידע לגבי זרם הטעינה, הגנה מפני עומס יתר, טעינה ממוסבת והגדרות תעריף).

3. הזן את ה-PIN שוב ואשר אותו.  
 הפעלת ההנחיה ל-PIN אושרה. →  
 הזן את קוד ה-PIN הזה כדי לבטל את הנעילה של המטען.

### הפעלת PIN אורח

בנוסף, ניתן ליצור PIN אורח עבור משתמש אחר.  
 הנוהל זהה להקצאת PIN לצורך הגנה על ההתקן.

### מידע ⓘ

המשתמש האורח לא יוכל לשנות את ההגדרות של המטען.

### שליטה בצריכת האנרגיה

הפעלת מצב ההמתנה כדי לחסוך בחשמל. מצב ההמתנה מופעל מיד לאחר סיום הטעינה.

הפעל את **Standby mode**.

להתקן נדרש זמן מה כדי לצאת ממצב המתנה ולהיות מוכן לשימוש מחדש.

### מידע ⓘ

המטען עובר באופן אוטומטי למצב המתנה לאחר תקופה ארוכה יותר של חוסר פעילות. תחילה, בהירות התצוגה מעומעמת ולאחר מכן התצוגה נכבית. לחץ על לחצן ההפעלה כדי להפעיל אותו מחדש שוב.

הסבר	אפשרות
Web Application אינו מחובר לאינטרנט.	More options
אם ההתקן הנייד שלך מחובר לאינטרנט, סרוק את קוד ה-QR שמוצר או הזן ידנית בדפדפן את כתובת ה-URL שמוצגת.	

### Settings

#### המנוע

#### מצב הדגמה

רק משתמשי Customer service יכולים לראות את ההגדרה הזו. במצב הדגמה ניתן להציג בצורה נוחה את הפונקציות של המטען ולהריץ סימולציה של תהליך הטעינה. ההגדרות שנקבעות במצב ההדגמה לא מיושמות.

משתמש Customer service מחובר.

הפעל את הפונקציה.

בפעם הבאה שתיכנס אל Web Application, מצב ההדגמה יושבת שוב.

#### החלפת הסיסמה

ניתן לשנות את סיסמת הכניסה ליישום האינטרנט. הסיסמה החדשה שנבחרה מחליפה את הסיסמה הראשונית שמופיעה במכתב המכיל נתוני גישה.

בחר **Change** והזן סיסמה חדשה.

#### הפעלת ההגנה על ההתקן

בקשה להזנת PIN מספקת הגנה למטען ומונעת מגורמים לא מורשים לחבר רכב למטען שלך.

1. הפעל את הפונקציה.

2. הזן PIN בעל 4 ספרות ואשר.

### התנתקות ממנהל האנרגיה:

1. ביישום האינטרנט של המטען, נווט אל **Energy manager < Connections**.  
 מנהל האנרגיה שחובר מופיע עם המצב **Energy manager connected**.  
 2. בחר **Disconnect**.  
 המטען מנותק ממנהל האנרגיה. →

### התאמה של פרופילי משתמשים

#### מידע ⓘ

כדי להעביר נתונים לחשבון מזהה הפורשה שלך, ההתקן חייב להיות מחובר לאינטרנט.

בחשבון מזהה הפורשה שלך, ניתן גם לאחזר מידע לגבי תהליכי הטעינה. לשם כך, המטען חייב להיות מותאם למזהה פורשה.

1. בחר את לחצן **Link user profile**.  
 תיבת הדו-שיח **Link user profile** נפתחת. →
2. תלוי אם יש חיבור לאינטרנט, בחר באפשרות הבאה (ראה "אפשרויות חיבור לאינטרנט").
3. באתר של חשבון מזהה פורשה, הזן את נתוני הכניסה שלך (מזהה פורשה, סיסמה).

#### אפשרויות חיבור לאינטרנט

הסבר	אפשרות
Web Application מחובר לאינטרנט.	To My Porsche
תופנה ישירות לחשבון מזהה פורשה שלך.	

הזן שפה ומדינה

שדה	הסבר
שפה	בחר את השפה עבור Web Application.
מדינה	המדינה שבה נעשה שימוש. הגדרות קביעת התצורה משתנות בהתאם למדינה. אם תזין מדינה שאינה המקום שבו נעשה השימוש בפועל, ייתכן שחלק מהגדרות לא יהיו זמינות.

הזן תאריך ושעה

שדה	הסבר
Date and time	כאשר קיים חיבור לרשת, התאריך והשעה מיושמים באופן אוטומטי.
	<b>Time zone</b> : ניתן לבחור גובה זה באופן ידני.
	<b>Set time</b> : הזן שעה אם השעה ברשת לא זמינה לצורך התייחסות.

Units

בחר את היחידות והפרמטרים הרצויים שיהיו בשימוש במטען.

Equipment display

הגדרה זו קובעת את עוצמת התאורה של תצוגת המטען.

טעינה של

Mains status

רק משתמשי **Customer service** יכולים לראות את ההגדרה הזו. המטען מזהה באופן אוטומטי את המידע במצב רשת החשמל שמופיע כאן.

תצוגה	הסבר
Mains phases	מספר הפאזות בכבל המתח.
Cable type	סוג כבל הטעינה של הרכב. סוג הכבל מספק מידע חשוב להגדרת זרם הטעינה המרבי.
פעולה מוגבלת	מספר זה מצביע על חיישני הספק הטעינה שתפקודם מוגבל כתוצאה מהתחממות יותר: <ul style="list-style-type: none"> <li>- 0: טמפרטורת יתר של המיקרו-בקר</li> <li>- 1: טמפרטורת יתר של הממסר</li> <li>- 2: טמפרטורת יתר פנימית</li> </ul>

תצוגה	הסבר
-	3: טמפרטורת יתר של חיישן כבל תשתיות 1
-	4: טמפרטורת יתר של חיישן כבל תשתיות 2

ניטור הארקה

מכת חשמל, קצר חשמלי, שריפה, פיצוץ **⚠ סכנה**

השימוש במטען ללא Ground monitoring פעיל עלול לגרום למכות חשמל, לקצרים, לשריפות, לפיצוצים או לכוויות.

- ◀ מומלץ להפעיל את המטען ברשתות חשמל מוארקות היטב.
- ◀ יש להשבית ground monitoring רק ברשתות חשמל שאינן מוארקות.
- ◀ הפעל ניטור הארקה ברשתות חשמל מוארקות.

להפעלה ולהשבתה של ניטור ההארקה <sup>4</sup> עיין בפרק "הפעלה והשבתה של ניטור ההארקה" בעמוד 383

התאמת זרם הטעינה

אם זרם הטעינה לרכב גבוה מדי, הנתיר עלול להישרף ולקטוע את אספקת החשמל לאזור שמכוסה על-ידי אותו נתיר.

אם מנהל אנרגיה מחובר למטען, הגנת עומס היתר מנטרת את זרם הטעינה במטען. אם לא קיים מנהל אנרגיה ברשת הביתית, חובה להגדיר זרם מרבי עבור המטען.

זרם הטעינה שמוזן לא יכול לחרוג מזרם הטעינה המרבי של ההתקנה החשמלית.

### עדכון ידני

כאשר ישנה גרסת תוכנה חדשה שזמינה להורדה, מופיעה הודעה במצב המכשיר שבלוח המחוונים.

- ↘ **Automatic software updates** מושבת.
- ◀ בחר **Perform software update** לתחילת ההתקנה.

### Store settings

ניתן לשמור את הגדרות התצורה שלך והנתונים שהוזנו קודם לכן באמצעות גיבוי. גיבוי זה מאפשר לך לשחזר את ההגדרות האלו במידת הצורך, לדוגמה לאחר איפוס להגדרות היצרן. הגיבויים נוצרים באופן ידני ביישום האינטרנט. סיסמאות או נתונים אישיים (כמו היסטוריית הטעינה) לא נשמרים בגיבוי.

### יצירת גיבוי

בגיבוי ידני הנתונים מאוחסנים בהתקן שלך. ↘ ההתקן והמטען נמצאים באותה רשת.

1. בחר **Export**.

2. נווט למיקום האחסון.

3. שמור את קובץ הגיבוי.

**Assign password**: הזן סיסמה.

הסיסמה מגינה על הנתונים שלך, ויש להזין אותה במהלך היצוא או השחזור של הגיבוי.

### שחזור גיבוי

ניתן לייבא קובץ גיבוי שנשמר מההתקן שלך אל המטען.

↘ ההתקן והמטען נמצאים באותה רשת.

1. בחר את לחצן **Import**.

2. נווט לקובץ הגיבוי ובחר אותו.

### הצגת מידע לגבי הזמן הכולל שחלף

הסבר	תצוגה
הצגת צריכת האנרגיה הכוללת של כל תהליכי הטעינה הקודמים.	<b>Total energy consumption</b>

הצגת זמן הטעינה הכולל של המטען הזה עבור כל תהליכי הטעינה הקודמים.	Total charging time
הצגת זמן הטעינה הכולל של המטען הזה עבור כל תהליכי הטעינה הקודמים.	

### View event memory

רק משתמש **Customer service** יכולים לראות את ההגדרה הזו. המידע על זיכרון האירועים המוצג כאן קשור להודעות שגיאה שאירעו במהלך בדיקת המערכת. זכרונות האירועים הפעילים והלא פעילים מופיעים. להבדיל מאירועים לא פעילים, אירועים או שגיאות פעילים עדיין נמשכים כרגע.

◀ בחר את היומן המתאים כדי להציג את הודעות השגיאה ותוצאות בדיקת המערכת.

### Install software updates

כברירת מחדל, המטען בודק אם קיימים עדכוני תוכנה זמינים ומוריד אותם. הגדרה זו קובעת אם עדכוני התוכנה מותקנים אוטומטית או ידנית. **Software version**: הצגת גרסת התוכנה הנוכחית שמותקנת.

### מידע ⓘ

כדי למצוא עדכוני תוכנה ולהוריד אותם, המטען חייב להיות מחובר לאינטרנט.

### עדכון אוטומטי

כאשר הפונקציה הזו מופעלת, המטען מתקין עדכוני תוכנה באופן אוטומטי.

◀ בחר **Automatic software updates**.

חשוב לשים לב לפרטים הבאים בעת קביעת זרם הטעינה המרבי:

- סוג הכבל שמחובר למטען
  - עומסים אחרים המחוברים לכבל או לנתיך זה
- מידע על כבלי המתח והשימוש בהם במדינות שונות עיין בפרק "בחירת כבלי מתח" בעמוד 373.

### מידע ⓘ

עליך להקפיד שלא להגדיר הספק טעינה שהוא גבוה יותר מההספק המרבי של המעגל החשמלי. אם יש לך ספק בנושא זה, פנה לחשמלאי מוסמך.

### מידע ⓘ

אם מחובר מנהל אנרגיה, ההגדרות שלו יבטלו את הערך שתזין.

↘ הכבל של הרכב מחובר למטען.

◀ ב-Web Application, השתמש בבקר כדי להגדיר זרם טעינה מינימלי ומקסימלי.

### שירות

#### הצגת פרטי ההתקן

מידע זה מבוסס על נתוני המטען, לדוגמה מספר הגרסה, המספר הסידורי ושם המחשב המארח. שותף השירות של פורשה יזדקק לנתונים אלה במקרה של הודעת שגיאה.

3. הזן את הסיסמה שבה השתמשת כדי לשמור את קובץ הגיבוי.

### איפוס להגדרות היצרן

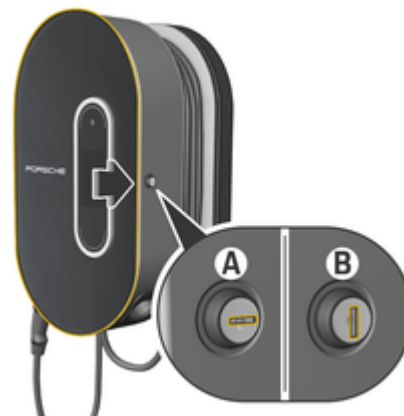
אם תפעיל פונקציה זו, כל הנתונים והתצורות האישיים, לדוגמה היסטוריית הטעינה והגדרות הרשת, יימחקו. בנוסף, כל הסיסמאות יאופסו לסיסמאות הראשוניות שצוינו במכתב המכיל את נתוני הגישה.

- ▶ הפעל את **Reset to factory settings**.  
ליצירת הגיבוי עיין בפרק "שירות" בעמוד 390

### מידע ⓘ

אם ההגדרות מאופסות למצב היצרן, אשף ההגדרה יסייע לך עם ההגדרות החשובות ביותר של המטען בפעם הבאה שבה המטען יופעל.

### עמדת טעינה



איור 182: עמדת טעינה

### פתיחת עמדת הטעינה

- ▶ לחץ על הדלת של עמדת הטעינה בכיוון החץ. הדלת נפתחת אוטומטית.

### סגירת עמדת הטעינה

- ▶ סגור את הדלת של עמדת הטעינה ולחץ בכיוון החץ.

### נעילת עמדת הטעינה

- ▶ סובב את המנעול למצב A איור 182).

### ביטול נעילת עמדת הטעינה

- ▶ סובב את המנעול למצב B איור 182).

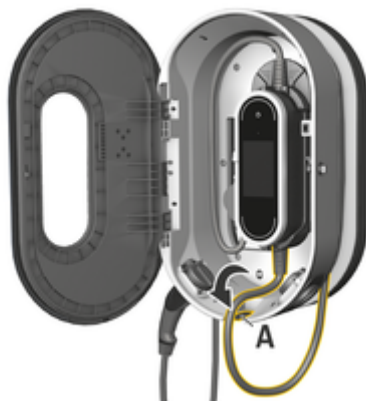
### חיבור יחידת הבקרה לעמדת הטעינה והסרתה מעמדת הטעינה

#### שים לב

נזק אפשרי למטען

- ▶ הקפד לסגור את הדלתות.
- ▶ אין להניח חפצים על הדלת או על עמדת הטעינה.

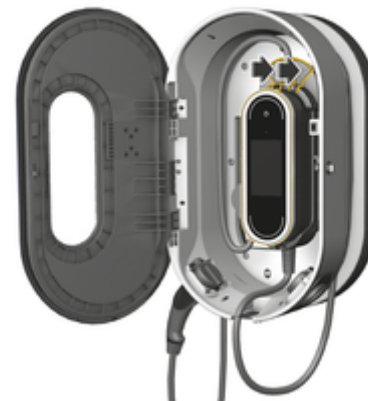
### חיבור יחידת הבקרה לעמדת הטעינה



איור 183: חיבור יחידת הבקרה

1. פתח את הדלת של עמדת הטעינה.
2. הצב את יחידת הבקרה מתחת ללשוניות הנעילה של עמדת הטעינה ושלב אותה במצב אחורי.
3. העבר את הכבל של הרכב דרך פתח A איור 183) ולפף את הכבל העודף מסביב לעמדת הטעינה.
4. הכנס את כבל המתח לשקע החשמל.
5. סגור את הדלת של עמדת הטעינה.

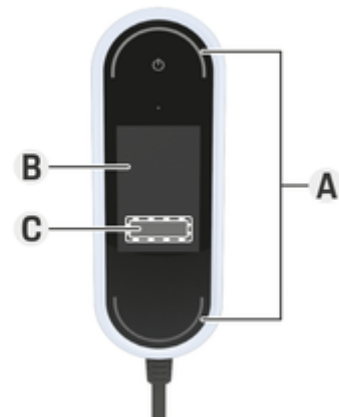
## הסרת יחידת הבקרה מעמדת הטעינה



איור 184: חיבור יחידת הבקרה

1. פתח את הדלת של עמדת הטעינה.
2. נתק את כבל המתח משקע החשמל.
3. הורד את הכבל של הרכב במלואו מעמדת הטעינה.
4. נתק את יחידת הבקרה מהתושבת על-ידי לחיצה על מתג השחרור (חץ) והוצא אותה.

## תקלות



איור 185: הצגת תקלות

אם התקלה נמשכת או מתרחשת שוב, נתק את המטען מרשת החשמל ופנה לחשמלאי מוסמך. פורשה ממליצה להיעזר בנציג מורשה של פורשה עבור השירות.

הסקירה הכללית הבאה מכילה המלצות לטיפול בתקלות שמגבילות או מונעות טעינה של כלי הרכב.

**A** נורות ה-LED המציינות מצב מוארות בצבע אדום  
**B** הודעת שגיאה וסיבה  
**C** תיקון

במקרה של תקלות, המטען מציג הודעה מתאימה בתצוגה. נורות ה-LRD המציינות מצב והנורית בלחצן ההפעלה מוארות בצבע אדום. ההודעה מציגה את פרטי השגיאה, מידע לגבי הסיבה ופעולה מתקנת.

פעל על פי ההוראות שסופקו בשביל הפעולה המתקנת.

### שים לב

נזק אפשרי למטען

מרב	פעולה מומלצת
התצוגה (מסך, נורות LED המציינות מצב, לחצן הפעלה) הפסיקה לפעול לגמרי.	<ul style="list-style-type: none"> <li>נתק את המטען מרשת החשמל והחלף אותו.</li> <li>פנה לחשמלאי מוסמך כדי לבדוק את המתקן הביתי.</li> </ul>
התצוגה ריקה, נורות ה-LED המציינות מצב לא משנות צבע ולחצן ההפעלה מואר בצבע אדום.	<ul style="list-style-type: none"> <li>המטען התחמם יתר על המידה. נתק את המטען מהחשמל והנח לו להתקרר בהדרגה.</li> <li>אם השגיאה נמשכת, החלף את המטען.</li> </ul>
הפעלה מוגבלת או שהטעינה אינה אפשרית (הודעה בתצוגה).	<ul style="list-style-type: none"> <li>ודא שכבל המתח והכבל של הרכב מחוברים ליחידת הבקרה בצד הנכון ושהם מחוברים כראוי.</li> <li>ודא שהמטען נמצא בטווח הטמפרטורה המותר.</li> <li>עייין בפרק "נתונים טכניים" בעמוד 398</li> <li>אשר כל הודעת שגיאה שתופיע.</li> <li>הפעל מחדש את המטען. לחץ על לחצן ההפעלה למשך 10 שניות לפחות להפעלה מחדש.</li> </ul>

פעולה מומלצת	מצב
<ul style="list-style-type: none"> <li>הרשת הביתית עמוסה יותר על המידה. כבה את כל העומסים החשמליים האחרים שגבוהים יותר.</li> </ul>	זרם הטעינה נמוך מדי (הודעה בתצוגה).
<ul style="list-style-type: none"> <li>פנה לחשמלאי מוסמך כדי לבדוק את המתקן הביתי.</li> </ul>	המתח החשמלי של רשת החשמל גבוה מדי (הודעה בתצוגה).
<ul style="list-style-type: none"> <li>כיבוי עקב טמפרטורת ההתקן: הימנע מאור שמש ישיר והנח למטען להתקרר בהדרגה.</li> <li>כיבוי עקב טמפרטורה נמוכה: אפשר למטען להתחמם בסביבה חמה לפני שתשתמש בו.</li> <li>תקלה בחיישן הטמפרטורה של ההתקן: קח את הרכב למוסך לצורך החלפת המסנן.</li> </ul>	המטען אינו בטווח הטמפרטורה המותר (הודעה בתצוגה).
<ul style="list-style-type: none"> <li>הפחת את זרם הטעינה בהגדרות המטען.</li> <li>אשר כל הודעת שגיאה שתופיע.</li> </ul>	מפסק הזרם בהתקן הביתי הופעל (הודעה בתצוגה).
<ul style="list-style-type: none"> <li>המתן עד שטעינת הרכב תתחיל שוב באופן אוטומטי.</li> <li>ניתן לעצור את הטעינה ברכב.</li> </ul>	<p>הפרעת טעינה מוצגת:</p> <ul style="list-style-type: none"> <li>☹️ לחצן ההפעלה נדלק בצבע לבן.</li> <li>🔴 נורות ה-LED המציינות מצב מהבהבות בצבע כחול.</li> <li>🔴 התצוגה נדלקת.</li> </ul>



## הובלה

מטען לא מקובע

**אזהרה** ⚠

מטען לא מקובע, מקובע בצורה לא נכונה או ממוקם בצורה לא נכונה עלול להחליק ממקומו במהלך בלימה, האצה, שינוי כיוון או תאונה ולסכן את הנוסעים ברכב.

- ◀ אין להוביל את המטען כשהוא לא מקובע.
- ◀ יש להוביל תמיד את המטען בתא המטען ולא בתא הנוסעים (לדוגמה, על המושבים או לפנייהם).

### קיבוע המטען להובלה

המטען מסופק עם או בלי מארז להובלה, בהתאם לסוג הרכב.

- ◀ אם המארז להובלה מסופק; יש לאחסן ולהוביל תמיד את המטען במארז. חבר את המארז להובלה לטבעות הקשירה הקדמית והאחורית בעזרת ווים.
- ◀ לקבלת מידע על טבעות קשירה בתא המטען:
  - ◀ עיין בספר הוראות ההפעלה לנהג.
- ◀ אם המארז להובלה לא מסופק; אחסן את המטען בתא המטען האחורי לצורך הובלה.
- ◀ בהתאם לסוג הרכב, אחסן את המטען כך שהוא אינו מסכן את הנוסעים ברכב במצבים מסוכנים.

## ניקיון ותחזוקה

ודא שהמטען אינו פגום או מלוכלך במרווחי זמן קבועים ונקה אותו במידת הצורך.

מכת חשמל, שריפה

**סכנה** ⚠

סכנה לפציעות חמורות ואף קטלניות כתוצאה משריפה או מכת חשמל.

- ◀ לעולם אין לטבול את המטען או התקעים במים או להתיז עליהם מים באופן ישיר (לדוגמה, ציוד ניקוי בלחץ גבוה או צינורות גינה).
- ◀ יש לנקות את המטען רק לאחר ניתוק מלא של יחידת הבקרה מרשת החשמל ומהרכב. השתמש במטלית יבשה לניקוי.

## גריטה

חובה למסור מכשירים חשמליים/אלקטרוניים בנקודת איסוף או במתקן לניהול פסולת.

- ◀ אין להשליך מכשירים חשמליים/אלקטרוניים עם האשפה הביתית.
- ◀ יש להשליך מכשירים חשמליים/אלקטרוניים בהתאם לתקנות השימוש להגנה על הסביבה.
- ◀ אם יש לך שאלות כלשהן בנוגע לגריטה, פנה לנציג מורשה של פורשה.

נתונים טכניים

BJ (MCC22E3 A <sup>1</sup> )	BG (MCC11E3 A <sup>1</sup> )	BE (MCC72E2 A <sup>1</sup> )	נתוני חשמל 970.971.675...
22 קו"ט	11 קו"ט	7.2 קו"ט	הספק
32 אמפר, תלת-פאזי	16 אמפר, תלת-פאזי	16 אמפר, דו-פאזי 32 אמפר, חד-פאזי	זרם נקוב
100-240 וולט / 400 וולט	100-240 וולט / 400 וולט	100-240 וולט / 400 וולט	מתח רשת החשמל
3	3	2/1	פאזות
50 הרץ / 60 הרץ	50 הרץ / 60 הרץ	50 הרץ / 60 הרץ	תדר רשת החשמל
II	II	II	קטגוריית מתח יתר (IEC 60664)
סוג A (ז"ח: 30 מיליאמפר) + ז"י: 6 מיליאמפר	סוג A (ז"ח: 30 מיליאמפר) + ז"י: 6 מיליאמפר	סוג A (ז"ח: 30 מיליאמפר) + ז"י: 6 מיליאמפר	התקן זרם שיורי משולב
I	I	I	רמת הגנה
IP55 (ארה"ב: מארז 3R)	IP55 (ארה"ב: מארז 3R)	IP55 (ארה"ב: מארז 3R)	דירוג הגנה
5 GHz, 2.4 GHz	5 GHz, 2.4 GHz	5 GHz, 2.4 GHz	פסי תדר השידור
20 dBm	20 dBm	20 dBm	הספק השידור
BJ (MCC22E3 A <sup>1</sup> )	BG (MCC11E3 A <sup>1</sup> )	BE (MCC72E2 A <sup>1</sup> )	נתונים מכניים 970.971.675...
		2.54 ק"ג	משקל יחידת הבקרה
		2.5 מטר או 7.5 מטר	אורך הכבל של הרכב
		0.9 מטר	אורך כבל המתח

BJ (MCC22E3 A <sup>1</sup> )	BG (MCC11E3 A <sup>1</sup> )	BE (MCC72E2 A <sup>1</sup> )	נתונים מכניים עבור תושבת קיר בסיסית 9Y0.971.675...
		385 מ"מ x 135 מ"מ x 65 מ"מ (אורך x רוחב x גובה)	מידות של תושבת קיר בסיסית
		0.45 ק"ג לערך	משקל של תושבת קיר בסיסית
		127 מ"מ x 115 מ"מ x 139 מ"מ (אורך x רוחב x גובה)	מידות הכבל
		0.42 ק"ג לערך	משקל הכבל
		136 מ"מ x 50 מ"מ x 173 מ"מ (אורך x רוחב x גובה)	מידות מהדק המחבר
		0.14 ק"ג לערך	משקל מהדק המחבר
		1 ק"ג לערך	משקל תושבת הקיר הבסיסית המלאה
A <sup>1</sup> מייצג שינויים עיצוביים צפויים ויכול להיות כל אות.			
BJ (MCC22E3 A <sup>1</sup> )	BG (MCC11E3 A <sup>1</sup> )	BE (MCC72E2 A <sup>1</sup> )	נתונים מכניים עבור עמדת טעינה ...9Y0.971.675
		373 מ"מ x 642 מ"מ x 232 מ"מ (רוחב x גובה x עומק)	מידות של עמדת טעינה
		9.7 ק"ג לערך	משקל של עמדת טעינה
BJ (MCC22E3 A <sup>1</sup> )	BG (MCC11E3 A <sup>1</sup> )	BE (MCC72E2 A <sup>1</sup> )	תנאי סביבה ואחסון 9Y0.971.675...
		-30 °C עד +50 °C	טמפרטורת סביבה
		5% - 95% ללא עיבו	לחות
		עד 5,000 מ' מעל פני הים	גובה

A<sup>1</sup> מייצג שינויים עיצוביים צפויים ויכול להיות כל אות.

<http://www.porsche.com/international/4accessoriesandservice/porscheservice/vehicleinformation/documents>

**יבואנים**

**Abu Dhabi: Ali & Sons Co. L.L.C**

Porsche Centre Abu Dhabi  
Zayed 2nd Street  
Abu Dhabi  
United Arab Emirates  
P.O. Box 915  
טלפון: +971 2 619 3911

**Dubai: Al Nabooda Automobiles L.L.C**

Porsche Centre Dubai  
Sheikh Zayed Road E11  
Dubai  
United Arab Emirates  
P.O. Box 10773  
טלפון: +971 4 305 8555

**פרטי ייצור**

**תאריך ייצור**

תאריך הייצור של המטען מצוין בלוחית הסוג, אחרי ראשי התיבות "EOL i.O."  
הוא מופיע בפורמט הבא (משמאל לימין): שנת הייצור. חודש הייצור. יום הייצור

**יצרן המטען**

eSystems MTG GmbH  
Bahnhofstraße 100  
Wendlingen 73240  
Germany

**בדיקות חשמליות**

אם מתעוררות שאלות בנוגע לבדיקות החשמליות השגרתיות של תשתיות הטעינה (לדוגמה, VDE 0702), עיין במידע הנמצא בכתובת  
<https://www.porsche.com/international/accessoriesandservice/porscheservice/vehicleinformation/documents> או פנה לנציג מורשה של פורשה.

**הצהרת תאימות**

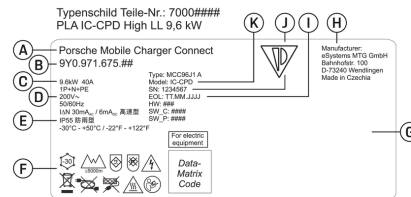
למטען יש מערכת רדיו. היצרן של מערכות רדיו אלו מצהיר שמערכת רדיו זו עומדת בדרישות המפרטים לצורכי השימוש בה בהתאם להנחיית 2014/53/EU. הנוסח המלא של הצהרת התאימות באיחוד האירופי זמין בכתובת האינטרנט הבאה:



03725-21-12707

Este equipamento opera em caráter secundário, isto é, não tem direito a proteção contra interferência prejudicial, mesmo de estações do mesmo tipo, e não pode causar interferência a sistemas operando em caráter primário". Para maiores informações, consulte o site da ANATEL [www.anatel.gov.br](http://www.anatel.gov.br)

**לוחית דגם**



איור 186: לוחית דגם (דוגמה)

- A** שם המוצר
- B** מספר פריט
- C** הספק זורם נקוב
- D** מתח רשת החשמל
- E** דירוג הגנה
- f** סמלים להפעלה
- G** מידע על אישורים
- H** יצרן
- I** תאריך ייצור
- J** מספר סידורי
- K** ציון הסוג

20 McCallum Street #12-01  
Tokyo Marine Centre  
Singapore 069046

**Great Britain**

**UK  
CA**

Porsche Cars Great Britain Ltd.  
Bath Road  
Calcot, Reading, Berkshire  
RG31 7SE  
United Kingdom

**Russland**

Porsche Russia  
Ленинградское шоссе дом 71А, строение 10  
Москва, Россия ,125445  
+7-495-580-9911 :טלפון

**Singapur: Porsche Singapore**

Porsche Asia Pacific Pte Ltd

יישום אינטרנט 381

384 נקודת חיבור

384 פתיחה

384 .WiFi

יצירת חיבורי רשת

386 נקודת חיבור

387 (PLC) Powerline Communication

386 .WiFi

400 יצרן

**כ**

כבל טעינה

373 סוגי כבלים ותקעים

כבל טעינה לרכב

373 סוגי כבלים ותקעים

כבל מתח

375 שקע ביתי

375 שקע תעשייתי

373 כבלי מתח

כבלים

377 ניתוק

378 קיבוע

371 כלי עבודה

388 כניסה לחשבון

380 כניסה למטען

386 כתובת IP

**ל**

400 לוחית דגם

**מ**

361 מבנה הודעות אזהרה

367 מזהה פורשה

מטען

380 הספק טעינה

385 חיבור

380 מצב התקן

380 מצב טעינה

366 סיסמה ראשונית

363 סמלים

הוראות הפעלה 381

הכלים הנדרשים 371

המספר הסידורי של המטען 367

הספק טעינה

תצוגה 380

הסרת יחידת הבקרה מעמדת הטעינה 391

הפעלה 378

הצהרת תאימות 400

התאמה של פרופילי משתמשים 388, 379

התאמת המזהה של פורשה 379

התאמת זרם הטעינה 379

התקן את תחנת הטעינה

372 התקנה עם התקן ריווח

371 התקנה של מהדק המחבר

התקנה של עמדת הטעינה

373 התקנה ללא התקני ריווח

371 התקנה של תושבת הקיר הבסיסית

**ז**

זמני טעינה 382

**ח**

חיבור יחידת הבקרה לעמדת הטעינה 391

**ט**

טעינה של

השהיה 382

התנעה 382

סיום 383

טעינת כבלי מתח וכבלי רכב 377

**י**

יבואנים 400

יחידת בקרה 368

חיבור לתושבת הקיר 372

סקירה כללית של חיבורים 367

תצוגה 368

ייצוא היסטוריית הטעינה 385

מספרים וסמלים

- חיבורים

לחצן שיוך PLC 378

מנהל האנרגיה 379

נקודת חיבור 379

קוד אבטחה PLC 378

.WiFi 378

**א**

אביורים מצורפים 366

אחזקה 396

אפליקציה מקוונת

אובדן סיסמה 367

הכנסה לשימוש 380

סיסמה ראשונית 367

שנה סיסמה 367

אפשרויות בקרה 369

**ב**

בחירת מיקום ההתקנה 370

בחירת רשת 378

בספר הוראות הפעלה לנהג

מידע נוסף 363

מידע על פרטיות נתונים 363

**ג**

גישה לנתונים

אפליקציה מקוונת 367

גריטה 397

**ה**

הגבלת זרם הטעינה 383

הגדרת בקשת PIN 379

הגנה על ההתקן 379

הובלה, קיבוע המטען 395

הוראות בטיחות 364



**תצוגה**

ניווט ..... 369

סרגל המצב ..... 368, 369

סרגל התפריט ..... 369

שפה ומדינה ..... 378

תקלות ..... 393

**P**

PUK ו-PIN ..... 366

אובדן ..... 366

שנה סיסמה ..... 366

**פ**

פרטי ייצור ..... 400

פתח הטעינה של הרכב ..... 382

**צ**

צריכת אנרגיה במהלך תהליך הטעינה ..... 380

צריכת אנרגיה כוללת תהליך טעינת זרם ..... 380

**ק**

קביעת תצורה של כתובת IPv4 ..... 386

קביעת תצורה של שרת DNS ..... 386

קיצוץ להובלה ..... 395

**ר**

רשת ביתית ..... 378

כתובת IP ..... 386

שם מארח ..... 386

רשת WiFi

חיבור ..... 386

ניהול ..... 386

ניתוק ..... 386

רשת לא ידועה ..... 386

**ש**

שידור נתונים ..... 378

שימוש הולם ..... 365

שם מארח ..... 386

שפה ומדינה ..... 378

**ת**

תאריך ייצור ..... 400

תהליך הטעינה

צריכת אנרגיה ..... 385

תצוגה ..... 385

תהליך טעינת זרם ..... 380

מידע נוסף ..... 363

מידע על פרטיות נתונים ..... 363

מכירת המטען ..... 367

מנהל האנרגיה ..... 379

הוספה ..... 387

התאמה ..... 387

התאמת זרם הטעינה ..... 379

מסייע ההגדרה ..... 380

מספר הפריט של המטען ..... 398

מספר סידורי ..... 400

מצב טעינה ..... 380

**נ**

ניטור הארקה

הפעלת ..... 384

השבתה ..... 383

ניקוי ..... 396

נקודת חיבור ..... 379

הגדרה ..... 386

נתוני גישה ..... 366

המספר הסידורי של המטען ..... 367

נתוני גישה שאבדו ..... 366

נתונים טכניים

נתונים חשמליים ..... 398

נתונים מכניים ..... 398

תנאי סביבה ואחסון ..... 398

**ס**

סמלים ..... 363

סמלים בספר הוראות ההפעלה לנהג ..... 361

**ע**

עדכון תוכנה ..... 378

עמדת טעינה ..... 391

ביטול נעילה ..... 391

נעילה ..... 391

סגירה ..... 391

פתיחה ..... 391

1. إذا كانت الإرشادات تشتمل على عدة خطوات، تكون هذه الخطوات مرقمة.

2. الإرشادات التي يجب اتباعها على الشاشة الوسطى.

ملاحظة حول الأماكن التي يمكنك العثور فيها على معلومات مهمة إضافية حول موضوع معين.

## نبذة عن دليل السائق هذا

### التحذيرات والرموز

تُستخدم أنواع عديدة من التحذيرات والرموز في دليل السائق هذا.

إصابة خطيرة أو الموت **خطر** ⚠️

يؤدي عدم الالتزام بالتحذيرات الواردة في الفئة "خطر" إلى التعرض لإصابة خطيرة أو الوفاة.

احتمال الإصابة الخطيرة أو الوفاة **تحذير** ⚠️

قد يؤدي عدم الالتزام بالتحذيرات الواردة في الفئة "تحذير" إلى التعرض لإصابة خطيرة أو الوفاة.

احتمال الإصابة المتوسطة أو الطفيفة **تنبيه** ⚠️

قد يؤدي عدم الالتزام بالتحذيرات الواردة في الفئة "تنبيه" إلى التعرض لإصابات متوسطة أو طفيفة.

### ملاحظة

احتمال حدوث تلف بالسيارة  
قد يؤدي عدم الالتزام بالتحذيرات الواردة في الفئة "ملاحظة" إلى حدوث تلف للسيارة.

### معلومات

يُشار إلى المعلومات الإضافية بالكلمة "معلومات".

الشروط التي يجب استيفائها لاستخدام إحدى الوظائف.

الإرشادات التي يجب اتباعها.

## Deutsch

## لدليل السائق

- 406 شرح الصور التوضيحية.
- 406 معلومات خصوصية البيانات.
- 406 المزيد من المعلومات.

## الأمان

- 407 إرشادات السلامة.
- 408 الاستخدام المطابق للتعليمات.

## نطاق الإمداد

- 409 بيانات الوصول.

## نظرة عامة

- 410 الوصلات في وحدة التحكم.
- 411 وحدة التحكم في الشاحن.
- 411 عرض شاشات وعناصر تحكم اللوحة.

- 413 اختيار مكان التركيب.

- 414 الأدوات المطلوبة.

## التركيب

- 414 تركيب حامل جداري.
- 415 التركيب دون مباعده.
- 416 التركيب مع مباعده.

## الإعداد

- 417 كبلات شحن السيارة وكبلات الإمداد.
- 421 التشغيل الأولي والتكوين.
- 423 التشغيل باستخدام تطبيق الويب.
- 423 تسجيل الدخول إلى الشاحن.
- 423 تشغيل الإعداد في الشاحن.
- 423 نظرة عامة.

## تشغيل

- 424 إرشادات التشغيل.
- 425 الشحن.
- 427 تسجيل الدخول إلى تطبيق الويب.
- 428 استخدام تطبيق الويب.
- 434 منصة الشحن.

- 436 الأعطال.

- 438 النقل.

- 439 التنظيف والصيانة.

- 440 التخلص من البطاريات.

## البيانات الفنية

- 443 لوحة البيانات.
- 443 معلومات التصنيع.
- 444 المستوردون.
- 445 الفهرس.

## معلومات خصوصية البيانات

للتأكد من توصيل تجهيزات الشحن من بورشه بصورة صحيحة وتحديثها الدائم، تجميع شركة بورشه بيانات الجهاز المشفرة التالية من تجهيزات الشحن وتعالجها على فترات منتظمة: معرف الجهاز، والعلامة التجارية، والجيل، ونوع الجهاز، وإصدار البرنامج.

إذا كنت تريد أيضًا امتلاك خيار استخدام خدمات Porsche Connect الأخرى لتجهيزات الشحن، يجب إقران تجهيزات الشحن لديك بحساب معرف بورشه الخاص بك، والذي يتوفر من موزع Porsche Connect في أسواق محددة. أثناء استخدام خدمات Porsche Connect، تجميع شركة بورشه وتعالج التفاصيل الشخصية التالية وبيانات أخرى خاصة بالجهاز من أجل توفير هذه الخدمات وتقديمها: تعريف العميل، والإحصائيات، ومعلومات عملية الشحن، والحالة، وحالة الاتصال، والطابع الزمني الخاص بوقت إجراء آخر اتصال. ستجد المزيد من المعلومات حول البنود والشروط العامة للعمل وسياسة خصوصية البيانات في الموقع [www.porsche.com/connect-store](http://www.porsche.com/connect-store).

قد تتسبب عمليات نقل البيانات بصفة منتظمة من تجهيزات الشحن لديك في تحميلك رسوم إضافية من مزود خدمة الإنترنت. يمكن حذف بياناتك المخزنة لدى بورشه بصورة نهائية باستخدام My Porsche. نظرًا لوجود قيود تقنية أو قانونية، لا تتوفر بعض خدمات Porsche Connect لتجهيزات الشحن من بورشه في كل الدول.

## المزيد من المعلومات

ستجد المزيد من المعلومات حول الشحن Web Application في منطقة "E-Performance" في <https://www.porsche.com>

خطر التعرض لصدمة كهربائية نتيجة الاستخدام غير السليم.



التزم بدليل التشغيل الصلة، وخاصة إرشادات التحذير والسلامة.



من الممكن أن يصبح سطح الشحن ساخنًا للغاية.



لا تقم بتشغيل الشاحن في شبكات كهربائية غير مؤرضة (على سبيل المثال، شبكات IT). قم بتشغيل الشاحن في الشبكات الكهربائية المؤرضة فقط.



قم بتشغيل الشاحن في الشبكات أحادية الطور فقط.



يحتاج الشاحن إلى مصدر طاقة يعمل بالتيار المتردد.



يشير إلى قابس من النوع 1 مع نطاق جهد كهربائي  $\geq 250$  فولت تيار متردد.



يشير إلى قابس من النوع 2 مع نطاق جهد كهربائي  $\geq 480$  فولت تيار متردد.



## لدليل السائق شرح الصور التوضيحية

بحسب البلد، يمكن وضع صور توضيحية مختلفة على الشاحن.

قم بتشغيل الشاحن في نطاق درجة حرارة يتراوح من -30 إلى +50 درجة مئوية.



يجب عدم تشغيل الشاحن في ارتفاعات تزيد عن 5000 متر فوق مستوى سطح البحر.



الشاحن مجهز بموصل واقفي غير مزود بمفتاح.



الشاحن مجهز بموصل واقفي مزود بمفتاح.



تخلص من الشاحن وفقًا لجميع اللوائح السارية للتخلص من النفايات.



لا تستخدم كابلات تطويل أو بكرات كابلات.



لا تستخدم المحولات (المخصصة للسفر).



لا تستخدم مقابس متعددة.



لا تستخدم شواحن ذات مكونات إلكترونية أو كابلات توصيل تالفة.



## الأمان

## إرشادات السلامة

## ⚠️ خطر

خطر التعرض لصدمة كهربائية، أو حدوث قصر في الدوائر الكهربائية، أو نشوب حريق، أو حدوث انفجار

قد يؤدي استخدام شاحن تالف أو معيب ومقبس كهربائي تالف أو معيب، أو الاستخدام غير السليم للشاحن أو الإخفاق في الالتزام بإرشادات السلامة إلى حدوث قصر في الدوائر الكهربائية، أو صدمات كهربائية، أو انفجارات، أو حرائق، أو حروق.

- ◀ استخدم فقط الملحقات، على سبيل المثال مصدر الطاقة وكبلات السيارة، المعتمدة والمزودة من بورشه.
- ◀ لا تستخدم شاحنًا تالفًا و/أو متسداً. افحص الكبل ووصلة القابس للتأكد من عدم وجود تلف واتساخ بهما قبل الاستخدام.
- ◀ لا تقم بتوصيل الشاحن سوى بالمقابس الكهربائية المركبة بصورة سليمة وغير التالفة والتركيبات الكهربائية الخالية من العيوب.
- ◀ لا تستخدم كبلات إطالة، أو بكرات كبلات، أو مقابس متعددة، أو محولات (مخصصة للسفر).
- ◀ افصل الشاحن عن مصدر التيار الرئيسي أثناء العواصف الرعدية.
- ◀ لا تقم بتعديل أي مكون من المكونات الكهربائية أو إصلاحه.
- ◀ استعن فقط بالخبراء لإصلاح الأعطال وإجراء عمليات الإصلاح.

## ⚠️ خطر

الصدمة الكهربائية، الحريق

قد يتسبب استخدام مقابس كهربائية مركبة بشكل غير صحيح في التعرض لصدمة كهربائية أو نشوب حريق عند شحن بطارية الجهد الكهربائي العالي باستخدام منفذ شحن السيارة.

- ◀ يجب ألا يقوم باختبار مصدر إمداد الطاقة والتركيب والتشغيل الأولي للمقبس الكهربائي للشاحن إلا فني كهرباء مؤهل. يتحمل هذا الشخص المسؤولية الكاملة فيما يتعلق بالتوافق مع المعايير واللوائح ذات الصلة. توصي بورشه بالتعامل مع شريك خدمة معتمد من بورشه.
- ◀ يجب تحديد المقطع العرضي لكل الطاقة الخاص بالمقبس الكهربائي وفقاً لطول السلك واللوائح والمعايير السارية محلياً.
- ◀ يجب توصيل المقبس الكهربائي المستخدم لإجراء عملية الشحن بدائرة كهربائية ذات منصهرات منفصلة متوافقة مع القوانين والمعايير المحلية.
- ◀ تم تصميم الشاحن للاستخدام في المناطق الخاصة وشبه العامة، على سبيل المثال، المباني الخاصة، أو ساحات انتظار السيارات الخاصة بالشركات. في بعض الدول، على سبيل المثال في إيطاليا ونيوزيلندا، يُعد الشحن في الوضع الثاني **محظوراً** في المناطق العامة.
- ◀ يجب عدم السماح للأشخاص غير المرخصين (على سبيل المثال، الأطفال في سن اللعب) أو الحيوانات بالوصول إلى الشاحن والسيارة أثناء عملية الشحن غير المراقبة.
- ◀ قم دائماً بقراءة إرشادات السلامة الواردة في دليل التركيب ودليل السائق.

## ⚠️ خطر

الصدمة الكهربائية، الحريق

قد يؤدي التعامل غير الصحيح مع أطراف توصيل القابس إلى التعرض لصدمة كهربائية أو نشوب حريق.

- ◀ لا تلمس أطراف توصيل منفذ شحن السيارة والشاحن.
- ◀ لا تدخل أي أجسام في منفذ شحن السيارة أو الشاحن.
- ◀ قم بحماية المقابس الكهربائية ووصلات القوابس من الرطوبة، والمياه، وغيرها من السوائل.

## ⚠️ تحذير

الأبخرة القابلة للاشتعال أو الانفجار

- ◀ من الممكن أن تُحدث مكونات الشاحن شرراً وتساعد على اشتعال أبخرة قابلة للاشتعال أو انفجارية.
- ◀ لتقليل خطر الانفجار - خاصةً في المرائب - تأكد من وجود وحدة التحكم على مسافة 50 سم على الأقل فوق سطح الأرض أثناء الشحن.
- ◀ لا تركب الشاحن في أجواء قابلة للانفجار.

لإندونيسيا فقط



Dilarang melakukan perubahan spesifikasi yang dapat menimbulkan gangguan fisik dan/atau elektromagnetik terhadap lingkungan sekitar

لتلبية المتطلبات الخاصة بحدود التعرض للإشعاع (EC/1999/519)، قم بتثبيت الشاحن بحيث يبتعد بمسافة 20 سم على الأقل عن جميع الأشخاص.

مؤهل عن فترات الفحص المناسبة للتركيبات الكهربائية لديك. توصي بورشه بالتعامل مع شركرك خدمة معتمد من بورشه.

عند التسليم، يكون تيار الشحن مقيدًا تلقائيًا لتلافي زيادة سخونة التركيبات الكهربائية. استعن بفني كهرباء مؤهل لتشغيل الشاحن وضبط حد تيار الشحن المناسب للتركيبات المنزلية.

◀ راجع الفصل "ضبط حد تيار الشحن" في الصفحة 426.

## الاستخدام المطابق للتعليمات

شاحن مزود بوحدة تحكم مدمجة وتجهيزة حماية للشحن في الوضع 2 لشحن السيارات المحتوية على بطاريات جهد كهربائي عالي تلبية المعايير والتوجيهات السارية عمومًا للسيارات الكهربائية.

◀ استخدم إصدار الجهاز المناسب، اعتمادًا على الشبكة الكهربائية المحلية.

◀ راجع الفصل "البيانات الفنية" في الصفحة 441.

يمكن استخدام الشاحن جنبًا إلى جنب مع كابل الشبكة، ووحدة التحكم، وكابل السيارة فقط.

وهو مناسب للاستخدام في الأماكن الخارجية.

التزم بالإرشادات والتوصيات التالية لضمان الشحن دون انقطاع باستخدام الشاحن:

- عند تركيب مقبس كهربائي جديد، اختر مقبضًا صناعيًا بأعلى قدرة ممكنة متوفرة (مناسب للتركيبات المنزلية الكهربائية) واستعن بفني كهرباء مؤهل لتركيبه وتشغيله. توصي بورشه بالتعامل مع شركرك خدمة معتمد من بورشه.

- يجب ضبط أبعاد التركيب الكهربائي بحيث تكون أقصى قدرة اسمية للمقبس الكهربائي المستخدم متوفرة لشحن السيارة في الأماكن التي تتيح ذلك من الناحية التقنية وتجزئ فيها القوانين السارية هذا الأمر.

- قبل التثبيت، تحقق مما إذا كان من الممكن توفير الطاقة الإضافية المطلوبة لشحن السيارة بشكل دائم باستخدام التركيبات المنزلية المتوفرة. قم بحماية التركيبات المنزلية باستخدام نظام لإدارة الطاقة إذا لزم الأمر.

- يُفصّل تشغيل الشاحن في شبكات كهربائية مؤرّضة. يجب تركيب الموصل الواقفي بصورة سليمة.

- في حالة عدم الوضوح أو عدم اليقين بشأن التركيبات المنزلية الكهربائية، فاستشر كهربائيًا مؤهلًا. توصي بورشه بالتعامل مع شركرك خدمة معتمد من بورشه.

- إذا كنت تنوي استخدام الشاحن مع نظام طاقة شمسية، فاتصل بشركرك بورشه.

- من أجل الاستفادة بصورة تامة من الشاحن وللتأكد من الشحن السريع للسيارة، استخدم مقابس كهربائية NEMA ذات أعلى شدة تيار اسمية ممكنة ومناسبة لفايس الطاقة أو مقابس صناعية وفقًا للمعيار IEC60309.

- عند شحن بطارية الجهد الكهربائي العالي عبر مقبس منزلي/صناعي، قد يتم تحميل التركيبات الكهربائية إلى القدرة القصوى لها. توصي بورشه بفحص التركيبات الكهربائية المستخدمة للشحن بانتظام بواسطة فني كهرباء مؤهل. اسأل فني كهرباء

## نطاق الإمداد



الشكل 187: نطاق الإمداد

- A** كبل الإمداد (قابل للفصل عن وحدة التحكم)  
**B** قابس الطاقة للتوصيل بمصدر التيار الرئيسي  
**C** وحدة التحكم  
**D** قابس السيارة (قابس موصل للسيارة)  
**E** كبل السيارة (قابل للفصل أو مثبت بوحدة التحكم، تبعا للدولة)  
**F** خطاب يحتوي على بيانات الوصول

## معلومات ⓘ

المكونات الاختيارية: تتوفر قواعد تركيب حائطية متنوعة للشاحن تبعا للدولة، على سبيل المثال قاعدة التركيب الحائطية الأساسية أو منصة الشحن.

## بيانات الوصول

سوف تتلقى خطاب بيانات الوصول مع جهازك، والذي يحتوي على جميع البيانات اللازمة للشاحن و Web Application.

◀ احتفظ بخطاب بيانات الوصول.

## معلومات ⓘ

يمكن طلب بيانات الوصول الصالحة عند التسليم، مثل رقم PIN المحدد مسبقًا وكلمة المرور الأولية، من شريك بورشه في حالة فقدها.

- قم بتجهيز الرقم التسلسلي للشاحن.

◀ راجع الفصل "الرقم التسلسلي للشاحن" في الصفحة 410.

يحتوي خطاب بيانات الوصول على البيانات التالية:

المعنى	التسمية
الرقم التسلسلي للشاحن	الرقم التسلسلي
عنوان MAC لواجهة WiFi	WiFi MAC
عنوان MAC لواجهة PLC المحلية	MAC للشبكة
عنوان MAC لواجهة PLC للسيارة	MAC للسيارة
معرف SSID لنقطة الوصول إلى WiFi اسم المضيف	WiFi SSID
مفتاح الشبكة	WiFi PSK

## التسمية

## المعنى

كلمة مرور المستخدم المنزلي  
كلمة المرور الأولية للمستخدم المنزلي لتطبيق الويب

كلمة مرور خدمة العملاء  
كلمة المرور الأولية لخدمة العملاء لتطبيق الويب

رقم PIN  
رقم التعريف الشخصي

رقم PUK  
مفتاح إلغاء القفل الشخصي

## معلومات ⓘ

يتكون اسم المضيف من العناصر التالية:  
الشاحن+الرقم التسلسلي (مثال:  
MobileChargerConnect-1234567)

## معلومات ⓘ

يحتوي حقل الأمان على رموز الوصول اللازمة (PIN و PUK). يحتوي هذا الحقل على لون خاص يغطي هذه الرموز. لا يتلاشى اللون إلا بعد تبلييل هذا الحقل بماء جارٍ مما يجعل الرموز ظاهرة.

لا تقم بفرك الحقل أو خدشة أثناء تبلييله، حيث قد تتلف الرموز أيضًا.

## نظرة عامة الوصلات في وحدة التحكم



الشكل 188: الوصلات في وحدة التحكم

**A** كبلات الإمداد  
**B** كبل السيارة

يمكن إزالة كبل الإمداد **A** وإدخاله في أعلى وحدة التحكم.  
تم إزالة كبل السيارة **B** وإدخاله في أسفل وحدة التحكم.

### معرف بورشه

عند إقران الشاحن بمعرف بورشه الخاص بك، يمكن استدعاء معلومات حول الشاحن وعمليات الشحن في Porsche Connect App و My Porsche.

إذا كنت لن تستخدم الشاحن بعد الآن، على سبيل المثال، إذا قمت ببيعه:

1. قم بإلغاء إقران الشاحن بمعرف بورشه (إعدادات) **⚙️** **⏪** ملفات تعريف المستخدمين).
2. أعد ضبط الشاحن على إعدادات المصنع (إعدادات) **⚙️** **⏪** إعدادات المصنع).

### رقم PIN ورقم PUK

يُستخدم رقما PIN و PUK لإلغاء قفل الشاحن.

- ◀ في حالة فقد رقم PIN الذي قمت بتعيينه بنفسك، قم بإلغاء قفل الشاحن بإدخال رقم PUK وتعيين رقم PIN جديد.
- ◀ في حالة فقد رقم PUK، اتصل بشريك بورشه الخاص بك.

### كلمة مرور تطبيق الويب

تُستخدم كلمة المرور لتسجيل الدخول إلى Web Application.

عند استخدام كلمة المرور الأولية:

- ◀ في حالة فقد كلمة المرور الأولية، اتصل بشريك بورشه الخاص بك.
- عند استخدام كلمة مرور قمت بتعيينها بنفسك:
- ◀ إذا فقدت كلمة مرور قمت بتعيينها بنفسك، فأعد ضبط الشاحن على إعدادات المصنع وأعد تنشيط كلمة المرور الأولية (إعدادات) **⚙️** **⏪** إعدادات المصنع).

### الرقم التسلسلي للشاحن

يمكن العثور على الرقم التسلسلي للشاحن في الأماكن التالية:

- في خطاب بيانات الوصول بعد التسمية "الرقم التسلسلي"
- في لوحة البيانات (في الجهة الخلفية لوحدة التحكم) بعد الاختصار "SNSN"
- على الشاحن: إعدادات **⚙️** **⏪** الصيانة **⏪** معلومات الجهاز
- في Web Application: الإعدادات **⏪** الصيانة **⏪** معلومات

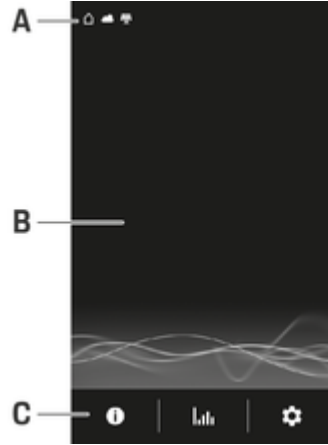


الرمز	المعنى
	اتصال WiFi متاح
	الاتصال بالخادم متاح
	جارٍ تنزيل البرنامج
	الاتصال بشبكة PLC متاح
	تم تنشيط نقطة الاتصال
	هناك وضع شحن نشط في السيارة. هذا الوضع محقق وفقاً للإعدادات.
	النظام الفولتصوتي متصل

### شريط الحالة

يمكن عرض رموز متنوعة في شريط الحالة. توضح النظرة العامة التالية معنى الرموز الموجودة في شريط الحالة.

### عرض شاشات وعناصر تحكم اللوحة



الشكل 190: شاشة الشاحن

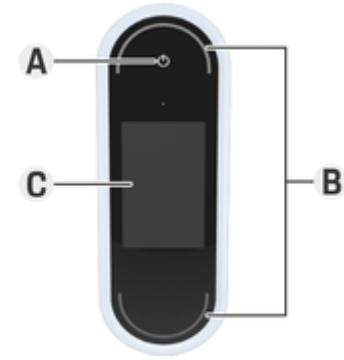
- A شريط الحالة
- B منطقة المعلومات
- C شريط القوائم

يتحكم جهاز استشعار السطوع في سطوع الشاشة. يتم ضبط السطوع تلقائياً حسب ظروف الإضاءة المحيطة.

### شريط الحالة

يمكن عرض رموز متنوعة في شريط الحالة. توضح النظرة العامة التالية معنى الرموز الموجودة في شريط الحالة.

### وحدة التحكم في الشاحن



الشكل 189: وحدة التحكم

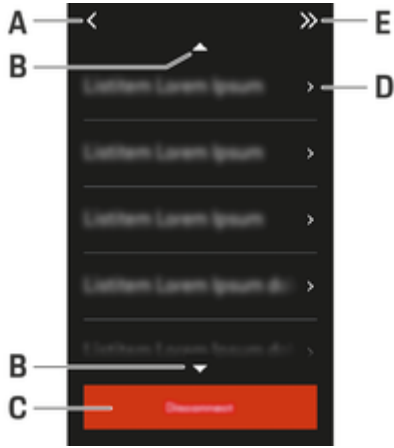
- A زر الطاقة
- B مصابيح LED الخاصة بالحالة
- C العرض

يمكن تشغيل الشاحن وإيقاف تشغيله باستخدام زر التشغيل A (الشكل 189).

توضح مصابيح LED الخاصة بالحالة B (الشكل 189) حالة الشاحن.

يتم عرض الاتصال بالشاحن على الشاشة C (الشكل 189) في شكل رسائل معلومات ورسائل خطأ.

### خيارات التحكم



الشكل 191: خيارات التحكم

- A السابق
- B لأعلى/لأسفل
- C النشاط
- D التفاصيل
- E تخطي

### شريط القوائم

يمكن عرض رموز متنوعة في شريط القوائم. توضح النظرة العامة التالية معنى الرموز الموجودة في شريط القوائم.

الرمز	المعنى
	عرض معلومات حول عملية الشحن الحالية
	عرض محفوظات الشحن
	تكوين الإعدادات
	يتوفر تحديث للبرنامج.

الرمز	المعنى
	اتصال WiFi متاح
	الاتصال بالخادم متاح
	جارٍ تنزيل البرنامج
	الاتصال بشبكة PLC متاح
	تم تنشيط نقطة الاتصال
	تم إلغاء تنشيط مراقبة التأريض (كندا، المكسيك)
	الشاحن متصل بجهاز إدارة طاقة
	هناك وضع شحن نشط في السيارة. هذا الوضع محقق وفقاً للإعدادات.
	النظام الفولتضوئي متصل
	<b>معلومات</b>
<p>بناءً على أهميتها، تتراكب بعض الرموز وبالتالي لا تكون مرئية (الرموز ذات الأولوية المترابدة مثل شبكة PLC &lt; اتصال WiFi &lt; جهاز إدارة الطاقة).</p>	

## اختيار مكان التركيب

خطر ⚠️

الصدمة الكهربائية، الحريق

قد يؤدي الاستخدام غير السليم للشاحن أو عدم الالتزام بتعليمات السلامة إلى حدوث دوائر قصيرة أو صدمات كهربائية أو انفجارات أو حرائق أو حروق.

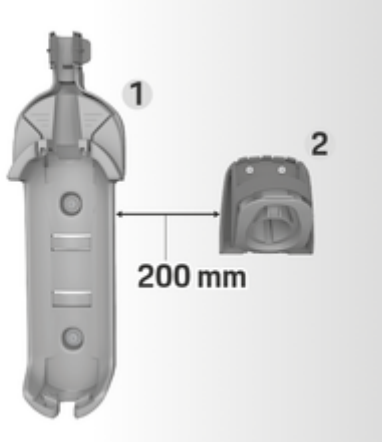
- ▶ لا تقم بتركيب قاعدة التركيب الحائطية الأساسية أو منصة الشحن في الأجواء محتملة الانفجار.
- ▶ قبل تركيب قاعدة التركيب الحائطية الأساسية أو منصة الشحن، تأكد من عدم وجود كبلات كهربائية بالقرب من فتحات التركيب التي سيتم ثقبها.
- ▶ لتقليل خطر الانفجار - خاصة في المرائب - تأكد من وجود وحدة التحكم على مسافة 50 سم على الأقل فوق سطح الأرض أثناء الشحن.
- ▶ اتبع لوائح أعمال التركيب الكهربائية، وتدابير الحماية من الحرائق، ولوائح الوقاية من الحوادث، ومسارات الهروب السارية محليًا.

تم تصميم قاعدة التركيب الحائطية الأساسية ومنصة الشحن للتركيبات الداخلية والخارجية. يجب مراعاة المعايير التالية عند اختيار مكان تركيب مناسب:

- في الوضع الأمثل، قم بتركيب المقبس الكهربائي وخط الإمداد، وقاعدة التركيب الحائطية الأساسية أو منصة الشحن في منطقة مغطاة تقدم الحماية من ضوء الشمس المباشر والمطر (على سبيل المثال، في مرآب).
- يجب تحديد مسافة ابتعاد المقبس الكهربائي عن الأرض والسقف طبقًا للوائح والمعايير المحلية على نحو يضمن الاستخدام بشكل صحيح.
- لا تقم بتركيب قاعدة التركيب الحائطية الأساسية أو منصة الشحن تحت أجسام متدلية أو معلقة.
- لا تقم بتركيب قاعدة التركيب الحائطية أو منصة الشحن في الإسطبلات أو مباني تربية الماشية والدواجن أو الأماكن التي تنتج فيها غازات الأمونيا.
- قم بتركيب قاعدة التركيب الحائطية الأساسية أو منصة الشحن على سطح أملس.

- لضمان إحكام التثبيت، تحقق من حالة الحائط قبل التركيب.
- قم بتركيب قاعدة التركيب الحائطية الأساسية أو منصة الشحن في أقرب موضع ممكن من مكان ركن السيارة المفضل. قم بمراعاة اتجاه السيارة.
- قم بتركيب قاعدة التركيب الحائطية الأساسية أو منصة الشحن بحيث تكون بعيدة عن الممرات مع عدم امتداد كبلات الإمداد عبر أي ممرات.
- قم بتركيب قاعدة التركيب الحائطية الأساسية أو منصة الشحن بحيث لا تزيد المسافة بين القابس والمقبس الكهربائي عن طول كبل الإمداد المتوفر.

### تركيب مثبت الموصل

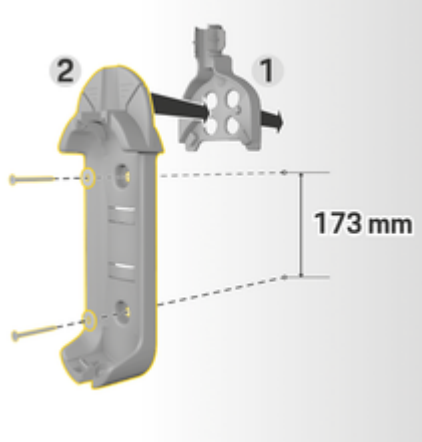


الشكل 193: المسافة بين قاعدة التركيب الحائطية ومثبت الموصل عند تركيب مثبت الموصل، تأكد من وجود مسافة 200 مم بين المثبت وقاعدة التركيب الحائطية الأساسية.

### التركيب

#### تركيب حامل جداري

#### تركيب قاعدة التركيب الحائطية الأساسية



الشكل 192: أبعاد الثقب

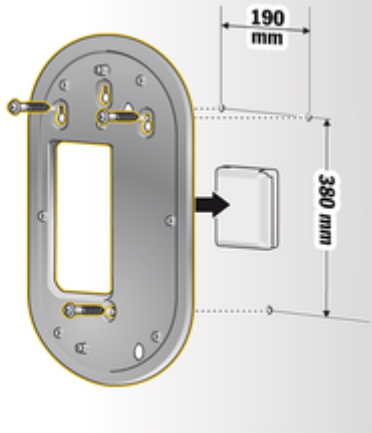
1. حدد مواضع فتحات الثقب على الحائط.
2. قم بثقب فتحات التركيب وإدخال القوابس الحائطية.
3. اضغط على قاعدة التركيب الحائطية الأساسية 2 (الشكل 192) إلى داخل موجّه الكبلات 1 (الشكل 192) من الأمام.
4. ثبت قاعدة التركيب الحائطية الأساسية باستخدام براغي في الحائط.

### الأدوات المطلوبة

- ميزان تسوية
- مثقاب كهربائي أو مثقاب مطرقة
- مفك براغي

## التركيب دون مبعاد

501-506



الشكل 196: أبعاد الثقب

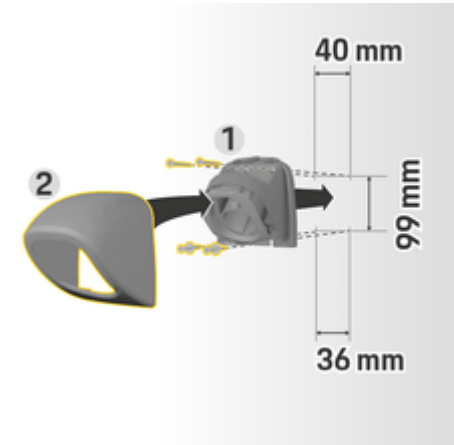
1. حدد مواضع الثقوب على الحائط.
2. قم بثقب ثقوب التثبيت وإدخال الخوابير.
3. ثبت لوحة التركيب على الحائط باستخدام البراغي.

## تركيب وحدة التحكم في قاعدة التركيب الحائطية



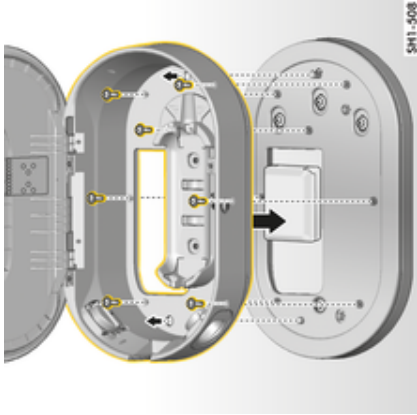
الشكل 195: تركيب وحدة التحكم

1. قم بتمرير كبل السيارة عبر الفتحة السفلية لقاعدة التركيب الحائطية الأساسية، وضع الجزء السفلي لوحدة التحكم على لسان القفل وادفع للخلف لتعشيق.
2. وجه كبل الإمداد عبر الفتحة العلوية في قاعدة التركيب الحائطية الأساسية واقفل حلقة الزنق بدفعها إلى اليسار.
3. أدخل قابس السيارة في مثبت الموصل.



الشكل 194: أبعاد الثقب

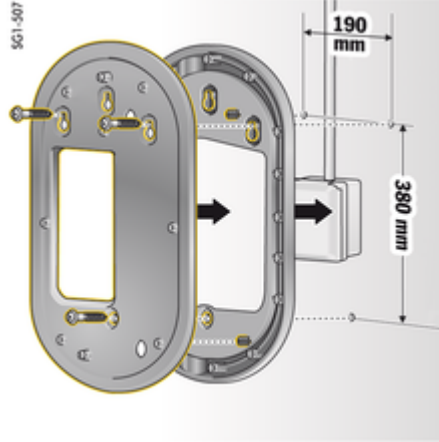
1. قم بإزالة مثبت الموصل 1 (الشكل 194) من الغلاف 2 (الشكل 194).
2. حدد مواضع فتحات الثقب على الحائط.
3. قم بثقب فتحات التركيب وإدخال القواس الحائطية.
4. قم بتثبيت مثبت الموصل 1 (الشكل 194) باستخدام براغي في الحائط.
5. قم بتركيب الغطاء 2 (الشكل 194) على مثبت الموصل 1 (الشكل 194) من الأسفل مع الدفع للأعلى.



الشكل 199: تثبيت منصة الشحن على لوحة التركيب باستخدام براغي

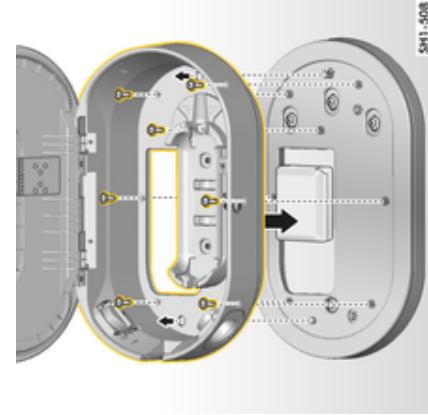
4. تُبَتّ منصة الشحن على لوحة التركيب باستخدام براغي.

### التركيب مع مبادئ



الشكل 198: أبعاد الثقوب

1. حدد مواضع الثقوب على الحائط.
2. قم بثقب ثقوب التثبيت وإدخال الخوابير.
3. تُبَتّ لوحة التركيب مع المبادئ على الحائط باستخدام البراغي.



الشكل 197: تثبيت منصة الشحن على لوحة التركيب باستخدام براغي

4. تُبَتّ منصة الشحن على لوحة التركيب باستخدام براغي.

## الإعداد

كبلات شحن السيارة وكبلات الإمداد  
معلومات حول كابل وقابس شحن السيارة

تتوفر منافذ شحن سيارة **A** وقوابس سيارة **B** مختلفة بحسب التجهيزات في كل بلد.

/IEC 62196-2  
SAE-J1772-2009  
النوع 1 UL/IEC



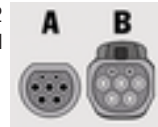
/IEC 62196-2  
SAE-J1772-2009  
النوع 1



IEC 62196-2  
النوع 2



GB/T 20234.2  
النوع GB



## اختيار كابل الشبكة

لإجراء عملية الشحن المعتادة بأفضل سرعة شحن، لا تستخدم سوى كبلات الشبكة المذكورة أدناه. يبلغ الحد الأقصى لقدرة الشحن القابلة للتحقيق ما يصل إلى 22

كيلو واط (بحسب نوع الجهاز، والشبكة الكهربائية/الوصلة المنزلية، وشاحن السيارة). عند القيادة في الخارج، احمل دائمًا كابل الشبكة المناسب للبلد المعني معك.

## ملاحظة

لا تستخدم سوى كبلات الإمداد المعتمدة للدولة التي توجد فيها. كبلات الإمداد التالية معتمدة لدول معينة ومحددة في الجداول التالية.

كابل الشبكة	البلد
C, 8, 7, 6, 5	روسيا، أوكرانيا
8, 7, 6, 5	أبوظبي، إسرائيل، سنغافورة

اعتماد كبلات الشبكة بحسب البلد (أمثلة)

يمكن أن يصل طول كابل السيارة إلى 2.5 أو 7.5 م، حسب الظروف الحالية. في بعض البلدان، يكون الطول الإجمالي لكابل الشبكة ووحدة التحكم وكابل السيارة محدودًا، على سبيل المثال 5 أمتار في سويسرا و7.5 متر في إسرائيل والولايات المتحدة<sup>(1)</sup>.

1. وقت الطباةة. يتوفر المزيد من المعلومات من خلال شريك بورشه الخاص بك أو شركة الكهرباء المحلية.

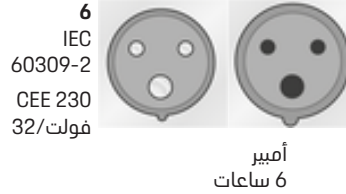
### كابلات الشبكة للمقاس المنزلية

في حالة عدم توفر مقبس صناعي، يمكن استخدام كابلات الشبكة المسروقة أدناه أيضًا للشحن بقدرة شحن منخفضة.

في بعض البلدان، على سبيل المثال في ألبانيا وإسرائيل وسنغافورة والهند<sup>1</sup>، يُحظر الشحن من المقاس المنزلية.



("Schuko")



### كابلات الشبكة للمقاس الصناعية



1. وقت الطباعة. يتوفر المزيد من المعلومات من خلال شريك بورشه الخاص بك أو شركة الكهرباء المحلية.



## متطلبات مقبس مصدر التيار الرئيسي

مقابس مصدر تيار رئيسي  
غير مناسبة



قد يتسبب مقبس مصدر التيار الرئيسي غير المناسب في حدوث دائرة قصيرة أو صدمة كهربائية أو انفجار أو حريق أو حروق.

- ◀ لا تستخدم إلا نوعًا من مقابس مصدر التيار الرئيسي مناسبًا لهذا التركيب (راجع **الأنواع المناسبة من مقابس مصدر التيار الرئيسي/قوابس الطاقة**).
- ◀ لا تستخدم إلا مقابس مصدر التيار الرئيسي التي تلبى متطلبات جودة أسطح التلامس والتثبيت (راجع **متطلبات جودة مقابس مصدر التيار الرئيسي**).
- ◀ تجنب الاتصال المباشر بين البراغبي الطرفية والسلك. يفضل استخدام الحلقات ذات النهاية السلكية.
- ◀ تجنب تكديس الكبل على العازل.

## الأنواع المناسبة من مقابس مصدر التيار الرئيسي / قوابس الطاقة

NEMA 6-50  
المقبس /  
القابس



NEMA  
14-50  
المقبس /  
القابس



## NEMA 6-50/NEMA 14-50 (معلومات إضافية)

معلومات



نطاق السريان

لا تنطبق توصية الاستخدام هذه إلا على المناطق التي تستخدم معيار NEMA 6-50/NEMA 14-50.

قد يؤدي شحن سيارتك إلى توليد تيارات كهربائية عالية. ولأسباب تتعلق بالسلامة، يعد استخدام المكونات المعتمدة فقط والتركيب الاحترافي لجهاز الشحن بأكمله أمرًا إلزاميًا.

## إرشادات عامة عن السلامة

الصدمة الكهربائية والحريق!



قد يؤدي الاستخدام غير الصحيح لتجهيزات الشحن وعدم مراعاة إرشادات التركيب والسلامة إلى حدوث دائرة كهربائية قصيرة أو صدمة كهربائية أو انفجار أو حريق أو حروق.

- ◀ انتبه إلى إرشادات التركيب الواردة في دليل تجهيزات الشحن.
- ◀ يرجى الانتباه بشكل خاص إلى جميع إشعارات السلامة والتحذير هناك.
- ◀ استعن بشخص حاصل على التدريب الكهربائي اللازم والمعرفة المتخصصة لإجراء عملية التركيب.
- ◀ يجب أيضًا مراعاة اللوائح الوطنية الخاصة بتنفيذ التركيبات الكهربائية.

E  
AS 3112  
النوع 1



F  
SEV 1011  
النوع 1



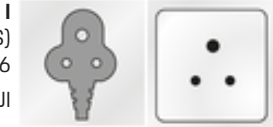
G  
DS60884-  
2-D1  
النوع K

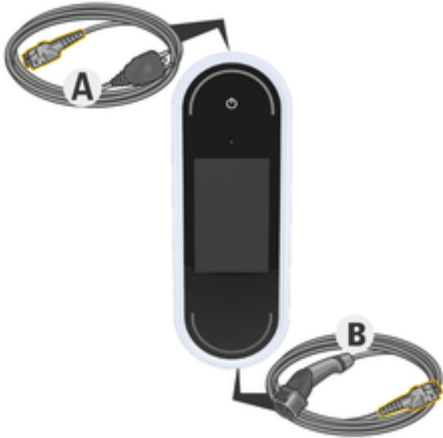


H  
CEI23-16-  
VII  
النوع L 16  
أمبير (5 مم)



I  
IA6A3 (BS)  
546  
النوع M





الشكل 200: الوصلات في وحدة التحكم

يمكن إزالة كبل الإمداد A وإدخاله في أعلى وحدة التحكم.  
تتم إزالة كبل السيارة B وإدخاله في أسفل وحدة التحكم

### متطلبات التركيب الخارجي

التعرض المباشر للمطر

**خطر** ⚠️

إذا تم استخدام تجهيزات الشحن في الخارج، فقد يتسبب تعرضها المباشر للمطر في حدوث دائرة قصيرة أو صدمة كهربائية أو انفجار أو حريق أو حروق.

- ◀ امنع تجهيزات الشحن من التعرض المباشر للمطر.
- ◀ استخدم حاوية مقاومة للمطر NEMA 3R.

### تغيير كبلات الإمداد وكبلات السيارة

الصدمة الكهربائية

**خطر** ⚠️

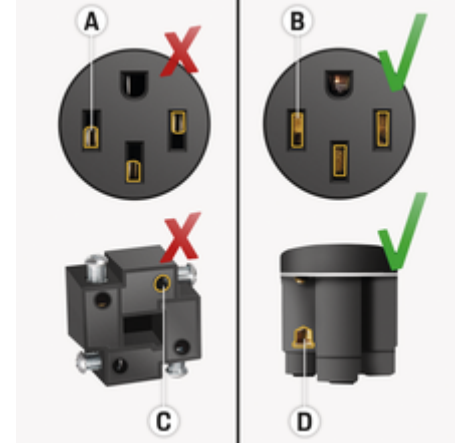
خطر حدوث إصابة بالغة أو قاتلة جراء التعرض لصدمة كهربائية.

- ◀ قبل تغيير كبل الإمداد، افصله دائمًا عن المقبس الكهربائي وافصل كبل السيارة عن منفذ شحن السيارة.
- ◀ لا تقم بتغيير الكبلات سوى في بيئة جافة.
- ◀ لا تستخدم إلا الكبلات المعتمدة من بورشه.

راجع الفصل "نطاق الإمداد" في الصفحة 409.

في بعض الدول، على سبيل المثال في النرويج وإيطاليا والبرتغال وأستراليا<sup>1</sup>، لا يُسمح بتغيير كبل الإمداد إلا بواسطة فني كهرباء مؤهل. توصي بورشه بالتعامل مع شريك خدمة معتمد من بورشه.

### متطلبات جودة مقابس مصدر التيار الرئيسي



- A يبلغ سطح التلامس نصف ارتفاع الملامس القابسي
- B يغطي سطح التلامس الارتفاع الكامل للملامس القابسي
- C سطح تلامس صغير بين برغي القمط والسلك.
- D سطح تلامس عريض بين لوحة القمط والسلك

### متطلبات تركيب الخطوط

كبل طاقة غير مناسب

**خطر** ⚠️

قد يتسبب استخدام كبلات طاقة غير مناسبة أو تيارات كهربائية زائدة في حدوث دائرة قصيرة أو صدمة كهربائية أو انفجار أو حريق أو حروق.

- ◀ يجب أن يحتوي الكبل على منصهر 50 أمبير.
- ◀ لا تستخدم إلا الكبلات المناسبة ذات المقطع العرضي الذي يبلغ بحد أدنى 8 AWG، أو يفضل 6 AWG.

1. وقت الطباعة. يتوفر المزيد من المعلومات من خلال شريك بورشه الخاص بك أو موزع مستلزمات الكهرباء الموجود في منطقتك.

## التشغيل الأولي والتكوين

### التشغيل

قم بتكوين الإعدادات التالية قبل بدء استخدام الشاحن لأول مرة.

#### معلومات ⓘ

- الخيارات المميزة بكلمة **تخطي** يمكن تجاوزها. لا يتم تكوين إعداد في هذه الحالة.
- يمكن تغيير الإعدادات في الشاشة في أي وقت. ⚙️

### اللغة والدولة

1. حدد اللغة المطلوبة من القائمة. قم بتأكيد التحديد.
2. حدد الدولة المطلوبة من القائمة.
3. قم بتأكيد اللغة والدولة المحدتين.

### نقل البيانات

اقرأ الإرشادات الخاصة بنقل البيانات و▶ قم بتأكيدها.

### تحديثات البرنامج

لضمان عمل الشاحن بكامل وظائفه وبصورة موثوقة، يجب تثبيت أحدث برنامج دائمًا.

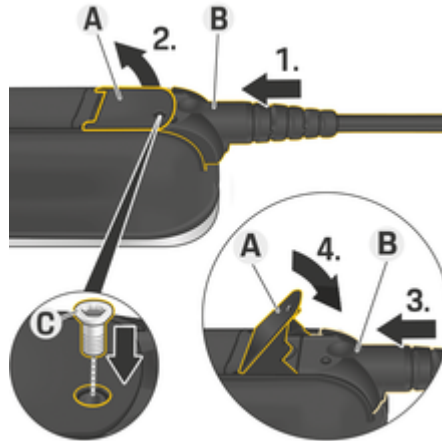
قم بتحديد إعدادات التحديث التلقائي للبرنامج وتأكيدها.

**تشغيل** يتحقق الشاحن من توفر تحديثات للبرنامج ويقوم بتنزيلها تلقائيًا.

يمكن حينئذ تشغيل التثبيت مباشرة أو تأجيله إلى وقت لاحق.

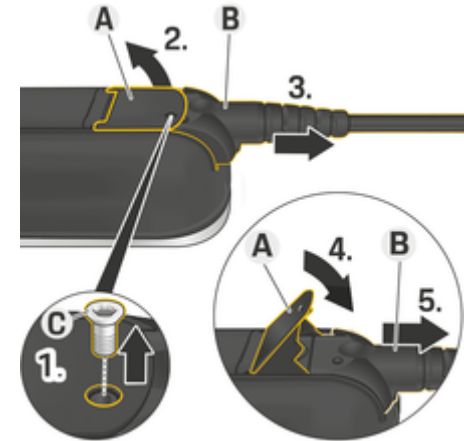
**إيقاف** يتحقق الشاحن من توفر تحديثات للبرنامج ويعرض رسالة بهذا الشأن. يمكن بدء التنزيل حينئذ يدويًا.

### تثبيت الكبلات



الشكل 202: توصيل الكبلات وتثبيت القوابس

### فصل الكبلات



الشكل 201: فصل الكبلات

انتهاء عملية شحن بطارية الجهد الكهربائي العالي وإزالة قابس السيارة من منفذ شحن السيارة.

فصل القابس عن المقبس الكهربائي.

1. قم بإزالة البرغي **C** (الشكل 201) باستخدام أداة مناسبة.

2. ارفع الذراع **A** (الشكل 201).

3. اسحب القابس **B** (الشكل 201) للخارج حتى تشعر بالمقاومة للمرة الأولى.

4. أغلق الذراع **A** (الشكل 201).

5. اسحب القابس **B** (الشكل 201) للخارج تمامًا.

### إقران الشاحن بمعرف بورشه:

- ◀ افتح موقع الويب الموضح على شاشة الشاحن في مستعرض جهازك وأدخل رمز المستخدم.
  - أو -
  - امسح رمز QR المعروف على الشاحن صوتيًا. يمكنك مسح رمز QR صوتيًا بالطرق التالية:
  - استخدام تطبيق Porsche Connect (حسابي < كبلات وأجهزة الشحن > مسح رمز QR صوتيًا).
  - استخدام كاميرا جهازك (iOS11 أو أعلى، مختلف بالنسبة لنظام Android).
  - استخدام تطبيق لمسح رمز QR صوتيًا.
- إذا تم إقران الشاحن بنجاح، ينتقل مساعد التثبيت إلى الخطوة التالية.

### توصيل جهاز إدارة الطاقة

- في حالة توفر جهاز إدارة طاقة، يمكنك إنشاء اتصال به. يتولى جهاز إدارة الطاقة حينئذ مسؤولية التحكم في عملية الشحن.
- ◀ للاطلاع على إرشادات حول التوصيل، راجع دليل تشغيل جهاز إدارة الطاقة.
- إذا لم يتوفر جهاز إدارة طاقة، فسيتم شحن السيارة باستخدام تيار الشحن الذي تم إدخاله في الشاحن:
- ◀ إعدادات ⚙️ ◀ ضبط تيار الشحن
- ◀ راجع الفصل "ضبط تيار الشحن" في الصفحة 423.

### نقطة الاتصال

- إذا لم يكن من الممكن الدمج في شبكة منزلية، يمكن أن ينشئ الشاحن نقطة اتصال ويستخدمها لإنشاء اتصال بتطبيق الويب الخاص بالشاحن.
- ◀ لإنشاء نقطة اتصال، انقر على **تنشيط نقطة الاتصال**.
- بمجرد إنشاء نقطة اتصال، يظهر الرمز ④ في شريط الحالة.

### الاتصال عبر رمز أمان PLC

- يجب استخدام جهاز يحتوي على برنامج التحكم في شبكة PLC لتنفيذ هذه الطريقة.
1. لإنشاء اتصال بشبكة PLC باستخدام رمز الأمان، حدد **رمز أمان PLC**.
  - ➔ يظهر رمز الأمان على الشاشة.
  2. أدخل رمز الأمان في القائمة ذات الصلة ببرنامج التحكم لشبكة PLC لدمج الشاحن في شبكة PLC.
  - ➔ الاتصال بشبكة PLC نشط.
- في حالة إنشاء اتصال بشبكة PLC، سيتم عرض الرمز ④ في شريط الحالة.

### معلومات ⓘ

خصائص PLC:

- واجهات منفصلة للسيارة والبنية الأساسية
- من PLC إلى IEEE P1901
- قابس منزلي للصوت والفيديو
- التشفير: 128 بت AES
- نطاق التردد: 2 - 30 ميجاهرتز

### ملفات تعريف المستخدمين (إقران معرف بورشه)

عند إقران الشاحن بمعرف بورشه، يمكن عرض معلومات عن الشاحن وعمليات الشحن في My Porsche وفي تطبيق Porsche Connect.

بمجرد اكتمال التنزيل، يمكن حينئذ تشغيل التثبيت مباشرة أو تأجيله إلى وقت لاحق.

إذا تعذر الاتصال بالإنترنت من خلال الشاحن، يمكن أيضًا تنزيل تحديثات البرنامج يدويًا عبر عنوان الويب الموجود في منطقة الأداء الكهربائي على <https://www.porsche.com> وتثبيتها عبر تطبيق الويب.

### تحديد شبكة

حدد خيار الاتصال بشبكة منزلية. يمكن تخطي هذا الخيار باستخدام **تخطي**. في هذه الحالة، لا يتم إنشاء اتصال بشبكة منزلية. إذا كان الشاحن متصلًا بشبكة منزلية قائمة، تتوفر وظائف ومعلومات متقدمة. يمكن إجراء الاتصال عبر WiFi أو شبكة اتصال خطة الطاقة (شبكة PLC). في حالة عدم توفر شبكة منزلية، يمكن إعداد نقطة اتصال في الشاحن.

### معلومات ⓘ

شبكات WiFi العامة بدون حماية بكلمة مرور غير مدعومة ولا يمكن استخدامها.

### الاتصال عبر WiFi

1. حدد **WiFi**.
2. حدد الشبكة المنزلية من قائمة شبكات WiFi المكتشفة.
3. أدخل كلمة المرور وقم بتأكيدتها.

### الاتصال عبر زر إقران PLC

1. حدد **زر إقران PLC**.
  2. ابدأ عملية الاتصال على مودم PLC. قم بالتأكد بالضغط على **موافق** على الشاحن.
- بمجرد اتصال الإعداد، قم بالتأكد باستخدام **توصيل**.
- ➔ الاتصال بشبكة PLC نشط.
- في حالة إنشاء اتصال بشبكة PLC، سيتم عرض الرمز ④ في شريط الحالة.

## معلومات ⓘ

إذا كنت تستخدم نظام Android، فقد تحتاج إلى التأكيد بشكل منفصل على أنه تم إنشاء الاتصال، وذلك حتى يمكن إنشاء اتصال نقطة الاتصال.

## ضبط تيار الشحن

في حالة عدم توفر جهاز إدارة طاقة في الشبكة المنزلية، يمكن تعيين أقصى تيار شحن مسموح به للشاحن هنا. يتم تحديد القيمة القصوى المعروضة حسب أنواع الكبلات الموصلة.

◀ قم بتعيين تيار الشحن على أقصى قيمة متاحة في مصدر التيار الرئيسي المستخدم للشاحن. استخدم الزائد والناقص للقيام بذلك.

◀ راجع الفصل "ضبط حد تيار الشحن" في الصفحة 426.

## حماية الجهاز

لمنع سيارة غير معتمدة من الاتصال بالشاحن، يمكن إعداد المطالبة برقم PIN.

1. لتنشيط المطالبة برمز PIN، حدد **تشغيل**.
2. أدخل رقم PIN مكونًا من أربعة أرقام وقم بتأكيده.
3. أدخل رقم PIN مرة أخرى وقم بتأكيده.

➔ يتم تأكيد تنشيط المطالبة برقم PIN.

## إكمال التثبيت

◀ باستخدام **المخلص**، تحقق من الإعدادات التي أدخلتها وأكمل التثبيت.

## التشغيل باستخدام تطبيق الويب:

قبل التمكن من استخدام الشاحن و Web Application للاستخدام اليومي، يجب إعداد الشاحن أولًا. بعد ذلك، يجب إنشاء اتصال بين الجهاز الطرفي (الكمبيوتر الشخصي أو اللوحى أو الهاتف الذكى) والشاحن.

## متطلبات التشغيل الأولي في تطبيق الويب

اجعل المعلومات التالية في متناولك عند استخدام Web Application للمرة الأولى:

- خطاب بيانات الوصول Porsche Mobile Charger J Connect لتسجيل الدخول إلى Web Application الخاص بالشاحن
- بيانات الوصول الخاصة بشبكتك المنزلية
- بيانات الوصول لملف تعريف المستخدم (لربطه بمعرف بورشه)

يدعم تطبيق الويب المستعرضات التالية:

- Google Chrome من الإصدار 57 فأحدث (موصى به)
- Mozilla Firefox من الإصدار 52 فأحدث (موصى به)
- Microsoft Internet Explorer من الإصدار 11 فأحدث
- Microsoft Edge
- Apple Safari من الإصدار 10 فأحدث

## تسجيل الدخول إلى الشاحن

## معلومات ⓘ

ستجد البيانات الخاصة بتسجيل الدخول إلى الشاحن في الخطاب المرفق المحتوي على بيانات الوصول. يحتوي حقل الأمان على رموز الوصول (PIN و PUK). يحتوي هذا الحقل على حبر خاص يغطي هذه الرموز.

لا تظهر الرموز إلا عند ابتلال هذا الحقل بعماء جارية.

لا تقم بفرك الحقل أو خدشة أثناء تبليله، حيث قد تتلف الرموز أيضًا.

↘ الشاحن مشغّل.

↘ الخطاب المحتوي على بيانات الوصول في المتناول.

1. ابحث عن رقم PIN في الخطاب. للقيام بذلك، قم بتبليل حقل الأمان لجعل رقم PIN ظاهرًا.

2. أدخل رقم PIN.

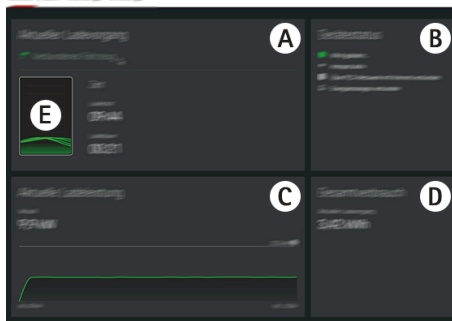
## تشغيل الإعداد في الشاحن

يتم إعداد الشاحن باستخدام معالج الإعداد، والذي يرشدك خلال الخطوات الخاصة بالتركيب. يجب إكمال الإعداد لكي يمكن استخدام الشاحن بشكل صحيح.

◀ راجع دليل تشغيل شاحن Porsche Mobile Charger Connect للتعرف على تفاصيل حول إعداد الشاحن.

## نظرة عامة

يقدم تطبيق الويب خيارات إعداد أكثر شمولاً من الشاحن.



الشكل 203: لوحة معلومات تطبيق الويب

## A جلسة الشحن الحالية

عرض معلومات حول عملية الشحن الحالية، مثل وقت البدء ومدة الشحن.

يجب تشغيل الشاحن فقط في نطاق درجة حرارة يتراوح من -30 إلى +50 درجة مئوية.

- ◀ لمنع زيادة سخونة الشاحن أثناء التشغيل، تجنب تعريضه بصورة مستمرة لضوء الشمس المباشر. في حالة سخونة الشاحن بدرجة زائدة، ستم مقاطعة الشحن تلقائيًا إلى أن تعود درجة الحرارة إلى النطاق الطبيعي.
- ◀ إذا كان الشاحن ساخنًا للغاية أو باردًا للغاية، فاتركه يعود ببطء إلى نطاق درجة حرارة التشغيل ولا تبرده أو تسخنه بشكل فعال، على سبيل المثال من خلال تبريده بالماء البارد أو تسخينه بمجفف شعر.

## تشغيل إرشادات التشغيل

في بعض الدول، يجب إخطار السلطات المعنية عند توصيل تجهيزات شحن السيارة الكهربائية.

- ◀ راجع أي التزامات خاصة بإبلاغ السلطات والمتطلبات القانونية لتشغيل قبل توصيل تجهيزات الشحن.

### ملاحظة

تلف الشاحن

- ◀ ضع الشاحن دائمًا على سطح صلب عند الشحن.
- ◀ توصب بورشه بتشغيل الشاحن في قاعدة التركيب الحائطية الأساسية أو في منصة الشحن. في بعض الدول، على سبيل المثال في سويسرا<sup>1</sup>، لا يُسمح باستخدام الشاحن إلا في قاعدة التركيب الحائطية الأساسية أو في منصة الشحن.
- ◀ لا تغمر الشاحن في الماء.
- ◀ احم الشاحن من الثلج والجليد.
- ◀ تعامل مع الشاحن بحرص واحمه من التلف المحتمل نتيجة السير فوقه، أو إسقاطه، أو سحبه، أو ثنيه، أو سحقه.
- ◀ لا تفتح مبيت الشاحن.

### ملاحظة

تلف الشاحن

## B حالة الجهاز

عرض معلومات حول الجهاز، مثل:

- حالة الشحن الحالية
- اتصال الشبكة المستخدم
- حالة الاتصال بجهاز إدارة الطاقة (في حالة توفرها)
- ما إذا كان يتوفر تحديث للبرنامج
- إلغاء تنشيط مراقبة التآريض

## C قدرة الشحن الحالية

التدفق الحالي للكهرباء [بالكيلو واط] من الشاحن إلى الحمل.  
الخاصية: يوضح المنحنى تقدم طاقة الشحن منذ بدء الشحن، والاستهلاك الكلي للطاقة [بالكيلو واط].  
حدد وقتًا على المنحنى لعرض نقطة الشحن في هذا الوقت.

## D الاستهلاك

إجمالي استهلاك الطاقة لعملية الشحن الحالية [بالكيلو واط ساعة].

## E حالة الشحن

يشير اللون المستخدم على لوحة المعلومات إلى حالة شحن الشاحن:

- الأحمر: رسالة الخطأ
- الأزرق: تم إيقاف الشحن مؤقتًا
- الأخضر: يجري شحن السيارة
- الأبيض: لا توجد سيارة متصلة بالشاحن

1. وقت الطباعة: يتوفر المزيد من المعلومات من خلال شريك بورشه.

## الشحن إرشادات الشحن

### منفذ شحن السيارة

للحصول على معلومات حول توصيل كبل السيارة بمنفذ شحن السيارة وفصله عنه ولمعرفة حالة الشحن والتوصيل بمنفذ شحن السيارة:

راجع دليل السائق.

**خطر** ⚠️ الصدمة الكهربائية، الحريق

خطر حدوث إصابة بالغة أو قاتلة جراء نشوب حريق أو التعرض لصدمة كهربائية.

- ◀ التزم دائمًا بالترتيب المحدد لإجراء الشحن.
- ◀ لا تفصل كبل السيارة عن منفذ شحن السيارة أثناء عملية الشحن.
- ◀ قم بإهاء عملية الشحن قبل فصل كبل السيارة عن منفذ شحن السيارة.
- ◀ لا تفصل الشاحن عن المقبس الكهربائي أثناء الشحن.

يتم عرض الأخطاء على الشاشة والإشارة إليها عبر مصابيح LED الحمراء الخاصة بالحالة. يتم عرض رسالة الخطأ والسبب والإجراء التصحيحي.

◀ راجع الفصل "الأعطال" في الصفحة 436.

### أوقات الشحن

- قد تختلف مدة الشحن بناءً على العوامل التالية:
- المقبس الكهربائي المستخدم (مأخذ تيار كهربائي منزلي أو مأخذ تيار كهربائي للاستخدامات الصناعية)
  - الجهد الكهربائي لمصدر التيار الرئيسي والتيار الكهربائي بحسب كل بلد
  - إعدادات تحديد تيار الشحن في الشاحن
  - التقلبات في الجهد الكهربائي لمصدر التيار الرئيسي

– درجة الحرارة المحيطة بالسيارة والشاحن. قد تزداد أوقات الشحن إذا كانت درجة الحرارة عند حدود درجة الحرارة المحيطة المسموح بها.

◀ راجع الفصل "تنشيط مراقبة التأريض وإلغاء تنشيطها" في الصفحة 426.

– درجة حرارة بطارية الجهد الكهربائي العالي ووحدة التحكم

– تنشيط وظيفة التبريد/التدفئة المسبقة لمقصورة الركاب

– سعة حمل التيار لقابس الطاقة وقابس السيارة

### معلومات ⓘ

نظرًا لاختلاف أنظمة مصادر التيار الرئيسية المحلية، يتم توفير أنواع متنوعة من الكبلات. قد يؤدي ذلك إلى عدم توفر طاقة الشحن الكاملة. يتوفر المزيد من المعلومات من خلال شريك بورشه.

## تشغيل الشحن وإيقافه مؤقتًا وإنهائه بدء عملية الشحن

1. أدخل القابس في المقبس الكهربائي.

☺ يضيء زر الطاقة باللون الأبيض.

○ تضبيء مصابيح LED الخاصة بالحالة باللون الأبيض.

➔ يتم تشغيل الشاشة.

2. أدخل قابس السيارة في منفذ شحن السيارة.

☺ يضيء زر الطاقة باللون الأبيض.

○ تومض مصابيح LED الخاصة بالحالة باللون الأبيض.

للحصول على معلومات حول توصيل كبل السيارة بمنفذ شحن السيارة:

◀ راجع دليل السائق.

➔ بعد إجراء اختبار ذاتي ناجح وعند إنشاء الاتصال، تضبيء مصابيح LED الخاصة بالحالة باللون الأبيض.

3. تبدأ عملية الشحن تلقائيًا.

☺ يضيء زر الطاقة باللون الأبيض.

○ تومض مصابيح LED الخاصة بالحالة باللون الأخضر.

4. بعد دقائق قليلة، ينتقل الشاحن إلى وضع الاستعداد.

➔ تبدأ السيارة عملية الشحن.

### معلومات ⓘ

– تتحكم السيارة في عملية الشحن. لا يمكن إيقاف الشحن إلا من السيارة.

– يتم عرض حالة الشحن على الشاشة إلا إذا كان الشاحن في وضع الاستعداد. يمكن تشغيل الشاشة مرة أخرى من خلال الضغط على زر الطاقة ☺.

– تمنع ميزة إيقاف التشغيل عند درجة الحرارة العالية زيادة سخونة أثناء عملية الشحن.

### إيقاف الشحن مؤقتًا

يتم التحكم في عملية الشحن بواسطة السيارة ويمكن إيقافها مؤقتًا من حين لآخر، على سبيل المثال من أجل تحسين استهلاك الطاقة.

تتم الإشارة إلى الإيقاف المؤقت للشحن على وحدة التحكم:

– ☺ يضيء زر الطاقة باللون الأبيض.

○ تومض مصابيح LED الخاصة بالحالة باللون الأزرق.

يتم تشغيل الشاشة.

تبدأ السيارة الشحن مرة أخرى تلقائيًا. يمكن إيقاف الشحن في السيارة.

## لتنشيط مراقبة التأريض وإلغاء تنشيطها

خطر التعرض لصدمة كهربائية، أو حدوث قصر في الدوائر الكهربائية، أو نشوب حريق، أو حدوث انفجار



يمكن أن يؤدي استخدام الشاحن دون وجود مراقبة تأريض نشطة إلى التسبب في حدوث صدمات كهربائية أو قصر في الدوائر الكهربائية أو اندلاع حرائق أو انفجارات أو حروق.

- ◀ يُفضّل تشغيل الشاحن في أنظمة مصادر تيار رئيسية مؤرّضة.
- ◀ لا تقم بإلغاء تنشيط وظيفة مراقبة التأريض إلا في أنظمة مصادر التيار الرئيسية غير المؤرّضة.
- ◀ قم بتنشيط وظيفة مراقبة التأريض في أنظمة مصادر التيار الرئيسية المؤرّضة.

◀ راجع الفصل "تنشيط مراقبة التأريض" في الصفحة 427.

## إلغاء تنشيط وظيفة مراقبة التأريض

- ◀ يتم عرض رسالة خطأ تشير إلى مقاطعة الموصل الواقي أو عدم وجوده على الشاشة.
- ◀ تقاطع أداة مراقبة التأريض عملية الشحن أو تمنعها من البدء.
- ◀ يضيء زر الطاقة باللون الأحمر.
- ◀ تضيق مصابيح LED الخاصة بالحالة باللون الأحمر.
- تظهر رسالة خطأ على الشاشة.
- 1. لإلغاء تنشيط وظيفة مراقبة التأريض، قم بالإقرار باستلام رسالة الخطأ باستخدام **تأكيد**.
- 2. اضغط مع الاستمرار على زر التشغيل (⊙) لمدة 3 ثوانٍ.

- ◀ تم تمكين وظائف الشحن الذكية بالسيارة.
- ◀ بنية شحن تحتية مناسبة لـ Plug & Charge.
- ◀ يتضمن التعاقد المبرم مع موفر خدمة (تجار) الشحن Plug & Charge.

## Private Plug & Charge

إذا تم تنشيط حماية الجهاز عند Mobile Charger Connect، فلا يمكن بدء عملية الشحن إلا بإدخال رقم PIN. راجع الفصل "حماية الجهاز" في الصفحة 423. يعمل على الحماية ضد الوصول الخارجي.

## قائمة السيارات (تسجيل السيارة)

بعد إدخال رقم PIN، سيتم سؤالك عما إذا كان يجب تسجيل السيارة في قائمة السيارات لـ Mobile Charger Connect. بعد الموافقة، سيتم التعرف على السيارة فور توصيلها بكابل الشحن ويتم تمكين عملية الشحن عن طريق إقران السيارة مرة واحدة بـ Mobile Charger Connect. ومن ثم، لن يكون من الضروري إدخال رقم PIN لجميع عمليات الشحن الأخرى بهذه السيارة.

## استدعاء قائمة السيارات

يمكن تسجيل العديد من السيارات في Mobile Charger Connect. يتم عرض كل سيارة على حدة في قائمة السيارات.

◀ حدد إعدادات ⚙️ ◀ قائمة السيارات.

يمكن إزالة السيارات مرة أخرى من هذه القائمة.

## إيقاف الشحن

- ◀ اكتملت عملية الشحن بنجاح.
- ⊙ يضيء زر الطاقة باللون الأبيض.
- ◌ تضيق مصابيح LED الخاصة بالحالة باللون الأخضر.
- يتم تشغيل الشاشة وتوضح معلومات عن عملية الشحن المكتملة. بعد دقائق قليلة، ينتقل الشاحن إلى وضع الاستعداد.
- ◀ افصل قابس السيارة عن منفذ شحن السيارة.

## ضبط حد تيار الشحن

تكتشف وحدة التحكم الجهد الكهربائي والتيار المتوفر تلقائياً. يمكن تعيين طاقة الشحن التي سيتم استخدامها للشحن باستخدام إعداد ضبط حد تيار الشحن. يتم حفظ آخر تيار شحن تم تعيينه. لمنع زيادة سخونة التركيب الكهربائي، يتم تعيين حد تيار الشحن تلقائياً على 50% عند التسليم عند استخدام منافذ تيار كهربائي منزلية.

في حالة اتصال الشاحن بجهاز إدارة طاقة، يتحدد تيار الشحن بما يتوافق مع القيم المعدة مسبقاً في جهاز إدارة الطاقة. يمكن أيضاً خفض الحد الأقصى لتيار الشحن المتاح بواسطة عناصر استهلاك أخرى في الشبكة المنزلية، على سبيل المثال، بواسطة جهاز تدفئة كهربائي أو سخان مياه. يجب عدم تعيين طاقة الشحن مطلقاً بحيث تكون أعلى من الحد الأقصى للطاقة المتاحة للدائرة الكهربائية المستخدمة. إذا لم تكن متأكدًا من ذلك، فاتصل بفني كهرباء مؤهل.

## Plug and Charge

باستخدام Plug & Charge، يمكن شحن السيارة باستخدام بنية شحن تحتية مناسبة في المناطق الخاصة والعامة دون الحاجة إلى تهيئة عملية الشحن يدويًا مسبقًا بمحطة الشحن أو على جهاز الشحن. يتم حساب فاتورة عملية الشحن تلقائياً على أساس التعاقد المبرم مع موفر خدمة (تجار) الشحن.



3. قم بإقرار إلغاء تنشيط مراقبة التآريض باستخدام تأكيد.

➔ تظل المراقبة معطلة لعمليات الشحن التالية.

### تنشيط مراقبة التآريض

إذا كان الشاحن يعمل في نظام مصدر تيار رئيسي مؤرض، فقم بتنشيط مراقبة التآريض.

1. افتح القائمة أداة مراقبة التآريض (إعدادات) ⚙️ < أداة مراقبة التآريض).

2. قم بتنشيط مراقبة التآريض باستخدام تنشيط.

عند تنشيط مراقبة التآريض، لن يظهر عنصر القائمة أداة مراقبة التآريض في قائمة إعدادات ⚙️.

### تسجيل الدخول إلى تطبيق الويب

للاستخدام القياسي لتطبيق الويب، حدد نوع المستخدم مستخدم منزلي. لدى مستخدم خدمة العملاء خيارات إعداد إضافية وهو مخصص لشريك بورشه لأغراض الخدمة.

↘ بيانات الوصول في المتناول.

1. حدد المستخدم المناسب في الحقل المستخدم.
2. أدخل كلمة المرور (من الخطاب المحتوى على بيانات الوصول).

### معلومات ⓘ

بعد 25 دقيقة من عدم النشاط، سيتم تسجيل خروج المستخدم تلقائيًا من تطبيق الويب.

### فتح تطبيق الويب

تتاح خيارات تكوين إضافية ومعلومات تفصيلية حول عمليات الشحن القائمة باستخدام تطبيق ويب مصمم على نحو خاص لكل شاحن.

### معلومات ⓘ

- استنادًا إلى المستعرض الذي تستخدمه، قد لا يتم فتح تطبيق الويب على الفور. بدلاً من ذلك، قد يتم عرض إخطار بشأن إعدادات أمان المستعرض أولاً.
- قد تحتاج إلى إدخال مفتاح الشبكة عند فتح تطبيق الويب. يعتمد ذلك على نظام تشغيل جهازك.

### فتح تطبيق الويب عبر نقطة الاتصال

يمكن فتح تطبيق الويب باستخدام جهاز (كمبيوتر شخصي أو لوحي أو هاتف ذكي) عبر نقطة اتصال تم إعدادها عن طريق الشاحن.

لإعداد نقطة اتصال:

- ◀ راجع الفصل "نقطة الاتصال" في الصفحة 422.
- ◀ لفتح تطبيق الويب عند نشاط نقطة اتصال، أدخل عنوان IP التالي في شريط عنوان المستعرض: 192.168.0.1

### فتح تطبيق الويب عبر WiFi

يمكن فتح تطبيق الويب في المستعرض على جهاز (كمبيوتر شخصي أو لوحي أو هاتف ذكي) تم تسجيل دخوله إلى الشبكة المنزلية نفسها التي تم تسجيل دخول الشاحن بها.

- أدخل عنوان IP الحالي للشاحن في شريط عنوان المستعرض. ستجد عنوان IP في إعدادات ⚙️ < الشبكة < معلومات الشبكة.
- أو -

أدخل اسم مضيف الشاحن في شريط عناوين المستعرض. ستجد اسم المضيف في الخطاب المحتوى على بيانات الوصول.

< للحصول على معلومات حول تطبيق الويب، راجع الدليل الموجود في <https://www.porsche.com/international/aboutporsche/e-performance/help-and-contact>

## معلومات ⓘ

إذا كان جهازك في شبكة منزلية، فلن يتمكن من الوصول بعد الآن إلى تطبيق الويب عبر عنوان IP لنقطة الاتصال (192.168.0.1) ولكن سيتمكن من الوصول إليه فقط عبر عنوان IP الذي تم تعيينه تلقائيًا أو اسم مضيف الشاحن.

– إدخالات عنوان IP الحالية:

– Web Application: **الصيانة** ◀ **معلومات الجهاز**

– الشاحن: **إعدادات** ⚙️ ◀ **الشبكات** ◀ **معلومات الشبكة**

– إدخالات اسم المضيف الحالية:

– خطاب يحتوي على بيانات الوصول

– Web Application: **الصيانة** ◀ **معلومات الجهاز**

## إعادة التوجيه إلى تطبيق الويب

### معلومات ⓘ

استنادًا إلى المستعرض الذي تستخدمه، قد لا يتم فتح تطبيق الويب على الفور. بدلاً من ذلك، قد يتم عرض إخطار بشأن إعدادات أمان المستعرض أولاً.

1. في رسالة تحذير المستعرض المعروضة، حدد **متقدم**.

2. في مربع الحوار التالي، حدد **إضافة استثناء**.

➔ يتم تأكيد شهادة SSL وفتح تطبيق الويب.

## سجل الشحن

يتم هنا سرد عمليات الشحن الخاصة بالشاحن بترتيب زمني. تتوفر المعلومات التالية لكل عملية شحن:

– الوقت

– مدة عملية الشحن

– الاستهلاك

– التكلفة (إذا كان هناك جهاز إدارة الطاقة متصل)

– الحساب المستخدم (إذا تم تحديد حساب أثناء الشحن النشط)

وبإمكانه حينئذ الوصول إلى تطبيق الويب الخاص بالشاحن. في تطبيق الويب، يمكنك دمج الشاحن في الشبكة المنزلية في أي وقت.

↘ الشاحن مشغّل. يقوم الشاحن تلقائيًا بتعيين نقطة اتصال WiFi الخاصة به.

1. في جهازك، اضغط على رمز الشبكة أو WiFi على شريط المهام في لوحة الإعلانات.

2. حدد شبكة WiFi الخاصة بك من القائمة. اسم شبكة WiFi هو نفس معرف SSID الموجود في الخطاب المحتوي على بيانات الوصول وهو موضح كما يلي: **#####-ICCPD**.

3. اضغط على الزر توصيل.

4. في حقل **مفتاح الأمان**، أدخل رمز الأمان (يُعرض بالشكل **WiFi PSK** في الخطاب المحتوي على بيانات الوصول).

➔ تم إنشاء الاتصال بشبكة WiFi.

ملاحظة: في نظام التشغيل Windows 10، يُطلب منك أولاً إدخال رقم PIN الخاص بجهاز التوجيه. حدد الارتباط الاتصال باستخدام رمز أمان الشبكة ثم أدخل الرمز.

5. افتح المستعرض الخاص بك.

6. أدخل عنوان IP التالي في شريط عناوين المستعرض: **192.168.0.1**.

## استخدام تطبيق الويب فتح تطبيق الويب

### إنشاء اتصال بالشاحن

في حالة دمج الشاحن في شبكتك المنزلية الحالية (WiFi أو Powerline Communication) أثناء الإعداد، يمكن الوصول إلى تطبيق الويب باستخدام عنوان IP المعيّن. للحصول على معلومات حول إنشاء اتصالات الشبكة، راجع الفصل "الاتصالات" في الصفحة 429.

### فتح تطبيق الويب عبر WiFi

↘ يوجد جهازك والشاحن في نفس شبكة WiFi.

1. افتح المستعرض الخاص بك.

2. في شريط عناوين المستعرض: أدخل عنوان IP الذي

تم تعيينه أثناء التكوين (في **إعدادات** ⚙️ ◀ **الشبكات** ◀ **معلومات الشبكة** في الشاحن). أو اسم مضيف الشاحن (في الخطاب المحتوي على بيانات الوصول).

### فتح تطبيق الويب عبر اتصال خط الطاقة

↘ الجهاز والشاحن متواجداً في نفس الشبكة عبر اتصال PLC.

1. افتح المستعرض الخاص بك.

2. في شريط عناوين المستعرض: أدخل عنوان IP الذي

تم تعيينه أثناء التكوين (في **إعدادات** ⚙️ ◀ **الشبكات** ◀ **معلومات الشبكة** في الشاحن).

### فتح تطبيق الويب عبر نقطة الاتصال

كطريقة بديلة، يمكن إنشاء اتصال عبر نقطة اتصال. يتضمن الشاحن نقطة وصول لاسلكية (نقطة اتصال)، وهي محمية بكلمة مرور وتتطلب تسجيل دخول يدوي. بإمكان جهاز مجهز بوظيفة WiFi الاتصال بنقطة الاتصال

يقدم تطبيق الويب خيار تصدير سجل الشحن إلى ملف Excel.

1. حدد تصدير سجل الشحن.
2. انتقل إلى موقع التخزين المطلوب واحفظ الملف.

### معلومات ⓘ

بالنسبة لكل عملية شحن نشطة، يتوفر حسابا العمل وشخصي للتحديد لأغراض التقييم. يمكنك تحديد الحساب في المعلومات الخاصة بعملية الشحن الحالية (الرمز i في شريط القوائم) في الشاحن. يتم تطبيق خيارك أيضًا أثناء عملية الشحن التالية، ولذلك تحتاج إلى تغييره إذا لزم الأمر.

### الاتصالات

للوصول إلى تطبيق الويب الخاص بالشاحن، ومعلوماته وإعداداته، يجب أن يكون جهازك والشاحن في الشبكة المنزلية (عبر WiFi أو اتصال PLC). يمكن استخدام جميع وظائف تطبيق الويب عبر اتصال الإنترنت الخاص بالشبكة المنزلية.

إذا لم تتوفر شبكة منزلية في مكان الاستخدام، بإمكان جهازك (الكمبيوتر الشخصي أو اللوحى أو الهاتف الذكي) تسجيل الدخول إلى الشاحن مباشرة عبر نقطة اتصال WiFi الخاصة به. ولكن في هذه الحالة لن يكون هناك اتصال بالإنترنت، وستتوفر فقط الوظائف المثبتة محليًا.

### معلومات ⓘ

إذا كان جهازك في شبكة منزلية، فلن يتمكن من الوصول بعد الآن إلى تطبيق الويب عبر عنوان IP لنقطة الاتصال (192.168.0.1) ولكن سيتمكن من الوصول إليه فقط عبر عنوان IP الذي تم تعيينه تلقائيًا أو اسم مضيف الشاحن.

– إدخال عنوان IP الحالية:

- Web Application: **الصيانة** ◀ **معلومات الجهاز**
- الشاحن: **إعدادات** ⚙️ ◀ **الشبكات** ◀ **معلومات الشبكة**
- إدخال اسم المضيف الحالية:
- خطاب يحتوي على بيانات الوصول
- Web Application: **الصيانة** ◀ **معلومات الجهاز**

### معلومات ⓘ

إذا قمت بالتغيير من وضع نقطة الاتصال إلى اتصال شبكة WiFi أو العكس أثناء عملية الإعداد، ستحتاج إلى تسجيل الدخول مرة أخرى.

يمكنك التغيير إلى الشبكة المنزلية باستخدام Powerline Communication أثناء نشاط اتصال نقطة اتصال دون إعادة التشغيل.

### معلومات ⓘ

في حالة استخدام تطبيق الويب، لا تقم بتعطيل اتصال نقطة الاتصال إلا إذا كان من الممكن الاتصال بشبكة منزلية.

- ◀ حدد اتصال الشبكة المرغوب (نقطة الاتصال أو WiFi أو اتصال خط الطاقة).

### نقطة الاتصال

بإمكان جهازك الاتصال مباشرة بالشاحن عبر نقطة اتصال WiFi المدمجة الخاصة به.

### 1. حدد إعداد نقطة الاتصال.

2. في الإعدادات، أدخل اسم الشبكة ورمز الأمان لنقطة الاتصال.

- ◀ للحصول على معلومات حول إنشاء اتصال نقطة اتصال، راجع الفصل "فتح تطبيق الويب" في الصفحة 428..

### اتصال WiFi

#### معلومات ⓘ

إذا كان الشاحن متصلًا بالفعل بجهازك عبر نقطة اتصال، لا يمكنك إنشاء اتصال في نفس الوقت بشبكة WiFi. يجب تعطيل نقطة الاتصال أولاً.

1. قم بتمكين WiFi.
  2. حدد الخيار **التوصيل بالشبكة**.
  3. حدد شبكتك من القائمة وأدخل **مفتاح الأمان**. **شبكة مختلفة**: حدد هذا إذا كنت تستخدم شبكة ليست في القائمة.
  4. اختر ما إذا كنت ترغب في تعيين عنوان IP لجهازك تلقائيًا (موصى به).
- ➔ يظهر عنوان IP بمجرد إنشاء الاتصال بالشبكة.
- تظهر الحالة **متصل** بجوار الشبكة في القائمة.

## إضافة جهاز إدارة الطاقة

لكي يتولى جهاز إدارة الطاقة التحكم في الشحن، يجب أولاً توصيل الشاحن (جهاز EEBus) وجهاز إدارة الطاقة ببعضهما البعض. يمكن إنشاء الاتصال في تطبيق الويب الخاص بجهاز إدارة الطاقة وتطبيق الويب الخاص بالشاحن (أو مباشرة في الشاحن).

### إنشاء اتصال بالشاحن في جهاز إدارة الطاقة

تم توضيح الإجراء الخاصة بإنشاء الاتصال بالشاحن في فصل "إضافة جهاز EEBus" في إرشادات تطبيق الويب الخاص بجهاز إدارة الطاقة المنزلي من بورشه.

### إنشاء اتصال بجهاز إدارة الطاقة في الشاحن

يوجد الشاحن وجهاز إدارة الطاقة في نفس الشبكة.

1. في تطبيق الويب الخاص بالشاحن، انتقل إلى

#### الاتصالات ◀ جهاز إدارة الطاقة

➔ يتم عرض جهاز إدارة الطاقة في قائمة إدارات الطاقة المتاحة

2. حدد جهاز إدارة الطاقة وقم بتوسيعته.

3. حدد إقران الأجهزة.

➔ يتم التحقق من الاتصال.

4. في مربع الحوار **إنشاء الاتصال**، تحقق من هوية جهاز إدارة الطاقة مرة أخرى باستخدام رقم التعريف، ثم حدد **توصيل**.

➔ يتم توصيل جهاز إدارة الطاقة بنجاح وعرض الحالة **تم توصيل إدارة الطاقة**.

يتم تطبيق إعدادات جهاز إدارة الطاقة (على سبيل المثال، المعلومات الخاصة بتيار الشحن والحماية من الحمل الزائد والشحن المحسن وإعدادات التعريف) بواسطة الشاحن.

لإنشاء اتصال، يمكن توصيل الشاحن ومودم PLC ببعضهما البعض عبر أزرار الإقران الخاصة بهما. في هذه الحالة، يتم إقران الشاحن تلقائياً بمودم PLC. من الطرق الأخرى للاتصال إدخال رمز الأمان للشاحن في مودم PLC.

1. قم بتنشيط **اتصال خط الطاقة (PLC)**.

2. أضف الشاحن إلى شبكة PLC:

- **الخيار 1:** باستخدام زر الإقران:

a. في تطبيق الويب، حدد **الاتصال باستخدام طريقة الضغط ل PLC**.

b. حدد **بدء الإقران**.

c. لإنشاء اتصال، اضغط على زر الإقران على مودم PLC في خلال دقيقتين.

d. حدد الزر **توصيل** لتأكيد الإقران.

- **الخيار 2:** عن طريق إدخال رمز أمان PLC:

a. حدد الخيار **إنشاء اتصال مع مفتاح أمان PLC**. يتم عرض رمز الأمان.

b. أدخل رمز الأمان في إعدادات مودم PLC.

➔ الشاحن مدمج في شبكة PLC وتم إنشاء اتصال.

### اتصال PLC بالسيارة

لا تظهر هذه الوظيفة إلا لمستخدم **خدمة العملاء** ولا يمكن تكوينها إلا من قبله. إذا تم تعطيل اتصال PLC، فلن يتم نقل المزيد من البيانات إلى السيارة عبر الكبل.

هذا الوضع مطلوب خلال قياسات معينة، على سبيل المثال.

عندما يكون نقل البيانات نشطاً، يستخدم الشاحن بروتوكول الشحن (اتصال عالي المستوى) كإجراء قياسي.

عندما يكون نقل البيانات معطلاً، يستند الشاحن إلى المعلومات الكهربائية (تعديل عرض النبضات).

## إدارة شبكات WiFi

الخيار	الشرح
شبكة مختلفة	◀ حدد هذا إذا كانت شبكتك ليست في القائمة.
إدارة الشبكات المعروفة	◀ حدد حذف لإزالة الشبكات المحفوظة. بهذه الطريقة، سيكون الشاحن في الشبكة الصحيحة.

### قطع الاتصال بالشبكة

1. حدد الشبكة المتصلة حالياً.

2. حدد **قطع الاتصال** لقطع الاتصال بشبكة WiFi.

### تكوين اتصال شبكة

1. حدد الشبكة المتصلة حالياً.

2. حدد **تكوين** لتغيير الإعدادات إلى عنوان IPv4 و خادم DNS.

### معلومات

يستخدم نطاق التردد 2.4 جيجاهرتز لاتصال الشبكة. في حالة حدوث مشاكل في الاتصال، قم بتعطيل نطاق التردد 5 جيجاهرتز في جهاز توجيه الشبكة.

### اتصال خط الطاقة

كبدل لشبكة WiFi، يمكن توصيل الشاحن الخاص بك بالشبكة المنزلية عبر اتصال PLC. لكي يحدث ذلك، يتم استخدام مصدر التيار الرئيسي الحالي لإعداد شبكة محلية لنقل البيانات. الشاحن مسجل كعميل في شبكة PLC.

## قطع الاتصال بجهاز إدارة الطاقة:

1. في تطبيق الويب الخاص بالشاحن، انتقل إلى **الاتصالات** ◀ **جهاز إدارة الطاقة**.  
➔ يتم عرض جهاز إدارة الطاقة المتصل بالحالة تم **توصيل إدارة الطاقة**.  
2. حدد **قطع الاتصال**.  
➔ الشاحن مفصول عن جهاز إدارة الطاقة.

## إقران ملفات تعريف المستخدمين

## معلومات ⓘ

لنقل البيانات إلى حساب معرف بورشه، يجب توصيل الجهاز بالإنترنت.

في حساب معرف بورشه الخاص بك، يمكنك أيضًا استرداد المعلومات الخاصة بعمليات الشحن. للقيام بذلك، يجب إقران الشاحن بمعرف بورشه.

1. حدد زر **ربط حساب المستخدم**.  
➔ يتم فتح مربع حوار **ربط حساب المستخدم**.
2. بناغ على ما إذا كان هناك اتصال بالإنترنت، حدد الخيار التالي (راجع "خيارات الاتصال بالإنترنت").
3. في موقع ويب حساب معرف بورشه، أدخل بيانات تسجيل الدخول الخاصة بك (معرف بورشه، كلمة المرور).

## خيارات الاتصال بالإنترنت

الخيار	الشرح
إلى My Porsche	<ul style="list-style-type: none"> <li>✓ تطبيق الويب متصل بالإنترنت.</li> <li>◀ ستم إعادة توجيهك مباشرة إلى حساب معرف بورشه.</li> </ul>
المزيد من الخيارات	<ul style="list-style-type: none"> <li>✓ تطبيق الويب غير متصل بالإنترنت.</li> <li>◀ إذا كان جهازك المحمول متصلاً بالإنترنت، فقم باللمس الصوتي لرمز QR المعروض أو أدخل عنوان URL المعروض يدويًا في المستعرض.</li> </ul>

الإعدادات  
المركزية

## وضع العرض التوضيحي

لا يظهر هذا الإعداد إلا لمستخدم خدمة العملاء. في وضع العرض التوضيحي، يمكن عرض وظائف الشاحن بشكل مربع ومحاكاة عملية الشحن. لا يتم تطبيق الإعدادات التي يتم إجراؤها في وضع العرض التوضيحي.

✓ مستخدم خدمة العملاء مسجل للدخول.

◀ قم بتمكين الوظيفة.

في المرة القادمة التي تقوم فيها بتسجيل الدخول إلى تطبيق الويب، سيتم تعطيل وضع العرض التوضيحي مرة أخرى.

## تغيير كلمة المرور

يمكنك تغيير كلمة مرور تسجيل الدخول إلى تطبيق الويب. تتم كتابة كلمة المرور الجديد المختارة فوق كلمة المرور الأولية المأخوذة من الخطاب المحتوي على بيانات الوصول.

◀ حدد **تغيير** وأدخل كلمة مرور جديدة.

## تنشيط حماية الجهاز

تعمل المطالبة برقم PIN على حماية الشاحن الخاص بك ومنع الأشخاص غير المرخصين من توصيل أي سيارة بالشاحن الخاص بك.

1. قم بتمكين الوظيفة.
  2. أدخل رقم PIN مكونًا من أربعة أرقام وقم بتأكيده.
  3. أدخل رقم PIN مرة أخرى وقم بتأكيده.
- ➔ يتم تأكيد تنشيط المطالبة برقم PIN.  
أدخل رقم PIN هذا لإلغاء قفل الشاحن.

## تمكين رقم PIN للضيف

بالإضافة إلى ذلك، يمكنك إنشاء رقم PIN للضيف لمستخدم آخر.

◀ الإجراء مطابق للإجراء الخاص بتعيين رقم PIN لحماية الجهاز.

## معلومات ⓘ

لن يتمكن المستخدم الضيف من تكوين الشاحن.

## التحكم في استهلاك الطاقة

قم بتنشيط وضع الاستعداد لتوفير الكهرباء. يبدأ وضع الاستعداد بمجرد انتهاء الشحن.

◀ قم بتمكين وضع الاستعداد.

يحتاج الجهاز إلى بعض الوقت للخروج من وضع الاستعداد ولكي يصبح جاهزًا للاستخدام مرة أخرى.

العرض	الشرح
-	3: سخونة زائدة لجهاز الاستشعار 1 لكل البنية الأساسية
-	4: سخونة زائدة لجهاز الاستشعار 2 لكل البنية الأساسية

## مراقبة التأريض

خطر التعرض لصدمة كهربائية، أو حدوث قصر في الدوائر الكهربائية، أو نشوب حريق، أو حدوث انفجار



يمكن أن يؤدي استخدام الشاحن دون وجود مراقبة تأريض نشطة إلى التسبب في حدوث صدمات كهربائية أو قصر في الدوائر الكهربائية أو اندلاع حرائق أو انفجارات أو حروق.

- ◀ يُفصّل تشغيل الشاحن في أنظمة مصادر تيار رئيسية مؤرّضة.
- ◀ لا تقم بإلغاء تنشيط وظيفة مراقبة التأريض إلا في أنظمة مصادر التيار الرئيسية غير المؤرّضة.
- ◀ قم بتنشيط وظيفة مراقبة التأريض في أنظمة مصادر التيار الرئيسية المؤرّضة.

لتنشيط مراقبة التأريض وإلغاء تنشيطها > راجع الفصل "لتنشيط مراقبة التأريض وإلغاء تنشيطها" في الصفحة 426.

## ضبط تيار الشحن

إذا كان تيار الشحن الوارد إلى السيارة مرتفعًا للغاية، فقد يعمل ذلك على حرق المنصهر، مما يؤدي إلى حدوث خلل في الطاقة في المنطقة التي يغطيها هذا المنصهر.

## الوحدات

حدد المعلومات والوحدات التي تريد أن يستخدمها الشاحن.

## شاشة الجهاز

يحدد هذا الإعداد سطوع شاشة الشاحن.

## الشحن

## حالة مصدر التيار الرئيسي

لا يظهر هذا الإعداد إلا لمستخدم خدمة العملاء. يكتشف الشاحن تلقائيًا المعلومات الخاصة بحالة مصدر التيار الرئيسي هنا.

العرض	الشرح
أطوار مصدر التيار الرئيسي	عدد الأطوار في كبل الإمداد.

## نوع الكبل

نوع كبل شحن السيارة. يوفر نوع الكبل معلومات مهمة لإعداد أقصى تيار للشحن.

## التشغيل المقيد

يشير هذا الرقم إلى أجهزة استشعار طاقة الشحن المقيدة بسبب السخونة الزائدة:

- 0: سخونة زائدة لوحدة التحكم الدقيقة
- 1: سخونة زائدة للمرحل
- 2: سخونة زائدة داخلية

## معلومات ⓘ

يتحول الشاحن تلقائيًا إلى وضع الاستعداد بعد فترة أطول من عدم النشاط. أولاً، يكون سطوع الشاشة خافتًا، ثم يتم إيقاف تشغيل الشاشة. اضغط على زر التشغيل لتشغيله مرة أخرى.

## إدخال اللغة والدولة

الحقل	الشرح
Language (اللغة)	تحديد لغة تطبيق الويب.

## الدولة

دولة الاستخدام. تختلف إعدادات التكوين حسب الدولة. إذا قمت بإدخال دولة لا تمثل المكان الفعلي للاستخدام، فقد لا تتوفر بعض الإعدادات.

## إدخال التاريخ والوقت

الحقل	الشرح
التاريخ والوقت	عندما يكون هناك اتصال بالشبكة، يتم تطبيق التاريخ والوقت تلقائيًا. المنطقة الزمنية: يمكن تحديدها يدويًا.

**ضبط الوقت:** أدخل وقتًا إذا لم يكن وقت الشبكة متاحًا كمرجع.

إذا كان هناك جهاز إدارة طاقة متصلًا بالشاحن، تراقب وظيفة الحماية من الحمل الزائد تيار الشحن الوارد إلى الشاحن. في حالة عدم توفر جهاز إدارة طاقة في الشبكة المنزلية، يجب تحديد أقصى تيار شحن للشاحن.

يجب ألا يزيد تيار الشحن الذي تدخله عن أقصى تيار شحن يمكن أن يتوافق معه التركيب الكهربائي.

انتبه لما يلي عند تحديد أقصى تيار للشحن:

- نوع الكبل المتصل بالشاحن
  - الأحمال الأخرى المتصلة بهذا الكبل أو المنصهر
- معلومات حول كبلات الإمداد واستخدامها في مختلف البلدان راجع الفصل "اختيار كابل الشبكة" في الصفحة 417..

### معلومات i

يجب عدم تعيين طاقة الشحن مطلقًا بحيث تكون أعلى من الحد الأقصى للطاقة المتاحة للدائرة الكهربائية.

إذا لم تكن متأكدًا من ذلك، فاستشر فني كهرباء مؤهل.

### معلومات i

في حالة توصيل جهاز إدارة طاقة، ستعمل إعداداته على تجاوز القيمة التي تدخلها.

↘ كبل السيارة متصل بالشاحن.

◀ في تطبيق الويب، استخدم وحدة التحكم لتعيين الحد الأدنى والحد الأقصى لتيار الشحن.

## الصيانة

### عرض معلومات الجهاز

تستند هذه المعلومات إلى بيانات الشاحن، مثل رقم الإصدار، والرقم التسلسلي، واسم المصيف.

سيحتاج شريك خدمة بورشه لديك إلى هذه البيانات في حالة ظهور رسالة خطأ.

## عرض معلومات إجمالي الوقت المنقضي

العرض	الشرح
استهلاك الطاقة الكلي	عرض استهلاك الطاقة الكلي لهذا الشاحن لجميع عمليات الشحن السابقة.
إجمالي وقت الشحن	عرض إجمالي وقت الشحن لهذا الشاحن لجميع عمليات الشحن السابقة.

### عرض ذاكرة الأحداث

لا يظهر هذا الإعداد إلا لمستخدم خدمة العملاء. تتعلق معلومات سجل الأحداث المعروضة هنا برسائل الخطأ التي حدثت أثناء اختبار النظام. يتم عرض سجلات الأحداث النشطة وغير النشطة. على خلاف الأحداث غير النشطة، تظل الأحداث النشطة أو الأخطاء ظاهرة حاليًا.

◀ حدد السجل المناسب لعرض رسائل الخطأ ونتائج اختبار النظام.

### تثبيت تحديثات البرنامج

يبحث الشاحن عن تحديثات للبرنامج بشكل قياسي ويقوم بتنزيلها. يحدد هذا الإعداد ما إذا كانت تحديثات البرنامج مثبتة تلقائيًا أو يدويًا. **إصدار البرنامج:** يعرض إصدار البرنامج المثبت حاليًا.

### معلومات i

للبحث عن تحديثات البرنامج وتنزيلها، يجب أن يكون الشاحن متصلًا بالإنترنت.

### التحديث تلقائيًا

عند تمكين هذه الوظيفة، يقوم الشاحن بتثبيت تحديثات البرنامج تلقائيًا.

◀ حدد تحديثات البرنامج التلقائية.

### التحديث يدويًا

عند توفر إصدار برنامج جديد، يظهر إخطار في حالة الجهاز في لوحة المعلومات.

↘ تحديثات البرنامج التلقائية غير نشطة.

◀ حدد إجراء تحديث البرنامج لبدء التثبيت.

### تخزين الإعدادات

يمكن حفظ إعدادات التكوين والبيانات التي تم إدخالها سابقًا باستخدام نسخة احتياطية. باستخدام هذه النسخة الاحتياطية، يمكنك استعادة هذه الإعدادات عند الضرورة، على سبيل المثال، بعد إجراء عملية إعادة تعيين إلى إعدادات المصنع. يتم إنشاء النسخ الاحتياطية يدويًا في تطبيق الويب.

لا يتم تخزين أي كلمات مرور أو بيانات شخصية، مثل سجل الشحن، في النسخة الاحتياطية.

### إنشاء نسخة احتياطية

باستخدام النسخ الاحتياطي اليدوي، يتم تخزين البيانات على جهازك.

↘ يوجد جهازك والشاحن في نفس الشبكة.

1. حدد تصدير.

2. انتقل إلى موقع التخزين.

3. احفظ ملف النسخ الاحتياطي.

**تعيين كلمة المرور:** أدخل كلمة مرور.

تحمي كلمة المرور بياناتك ويجب إدخالها عند استيراد النسخة الاحتياطية أو استعادتها.

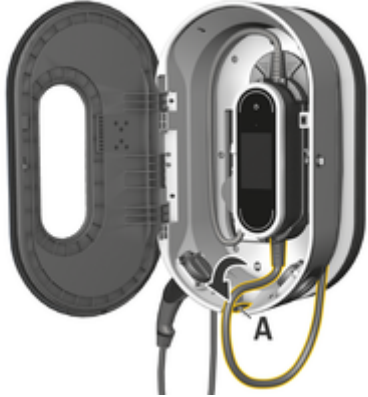
## توصيل وحدة التحكم بمنصة الشحن وإخراجها من منصة الشحن

### ملاحظة

تلف الشاحن

- ◀ أغلق الأبواب دائمًا.
- ◀ لا تضع أغراضًا على الباب أو على منصة الشحن.

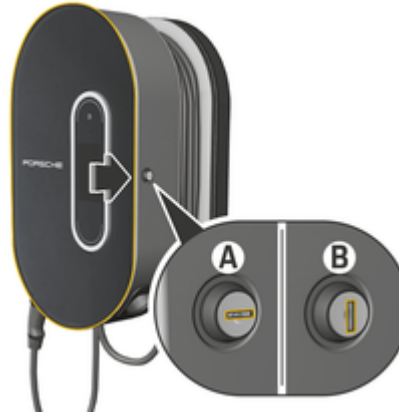
### تركيب وحدة التحكم في منصة الشحن



الشكل 205: تركيب وحدة التحكم

1. افتح باب منصة الشحن.
2. ضع وحدة التحكم أسفل أسنة قفل منصة الشحن وقم بتعسيقها في الجزء الخلفي.
3. مرر كبل السيارة عبر الفتحة A (الشكل 205) وقم بلف أب أجزاء زائدة من الكبل حول منصة الشحن.
4. أدخل كبل الإمداد في المقبس الكهربائي.
5. أغلق باب منصة الشحن.

## منصة الشحن



الشكل 204: منصة الشحن

### فتح منصة الشحن

- ◀ اضغط على باب منصة الشحن في اتجاه السهم. يتم فتح الباب تلقائيًا.

### إغلاق منصة الشحن

- ◀ أغلق باب منصة الشحن واضغط عليه في اتجاه السهم.

### قفل منصة الشحن

- ◀ أدر القفل إلى الموضع A (الشكل 204).

### إلغاء قفل منصة الشحن

- ◀ أدر القفل إلى الموضع B (الشكل 204).

### استعادة نسخة احتياطية

يمكنك استيراد ملف نسخة احتياطية محفوظ من جهازك إلى الشاحن.

◀ يوجد جهازك والشاحن في نفس الشبكة.

1. حدد زر استيراد.
2. انتقل إلى ملف النسخة الاحتياطية وحدده.
3. أدخل كلمة المرور التي استخدمتها لحفظ ملف النسخة الاحتياطية.

### إعادة الضبط إلى إعدادات المصنع

إذا قمت بتشغيل هذه الوظيفة، يتم حذف كل البيانات والتكوينات الشخصية، على سبيل المثال، سجل الشحن وإعدادات الشبكة. بالإضافة إلى ذلك، ستتم إعادة تعيين جميع كلمات المرور إلى كلمات المرور الأولية المشار إليها في الخطاب المحتوي على بيانات الوصول الخاصة بك.

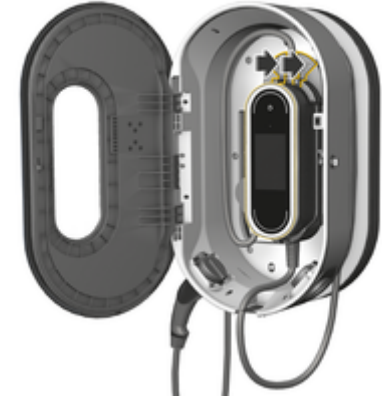
- ◀ قم بتمكين إعادة التعيين إلى إعدادات المصنع. لإنشاء النسخة الاحتياطية راجع الفصل "الصيانة" في الصفحة 433.

### معلومات

في حالة إعادة تعيين الإعدادات إلى حالة المصنع، سيساعدك معالج الإعداد في أهم إعدادات الشاحن في المرة القادمة التي تقوم فيها بتشغيله.



## فك وحدة التحكم من منصة الشحن



الشكل 206: تركيب وحدة التحكم

1. افتح باب منصة الشحن.
2. افصل كبل الإمداد عن المقبس الكهربائي.
3. قم بفك كبل السيارة تمامًا من منصة الشحن.
4. قم بفك وحدة التحكم من قاعدة التركيب عن طريق الضغط على مفتاح التحرير (السهم) ثم قم بإزالتها.

تحتوي النظرة العامة التالية على توصيات للتعامل مع الأعطال التي تقيد شحن السيارة أو تمنعه.

**A** تضيء مصابيح LED الخاصة بالحالة باللون الأحمر  
**B** رسالة الخطأ والسبب  
**C** الحل

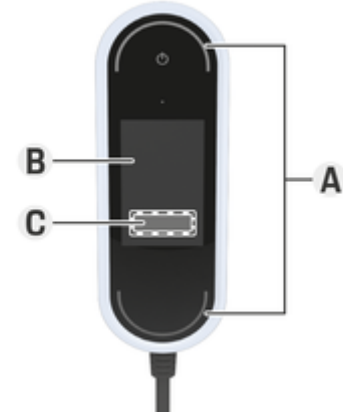
في حالة حدوث أخطاء أو أعطال، يعرض الشاحن رسالة ذات صلة على الشاشة. تضيء مصابيح LED الخاصة بالحالة وزر التشغيل باللون الأحمر. توضح الرسالة تفاصيل الخطأ ومعلومات عن السبب والإجراء التصحيحي.

◀ اتبع الإرشادات المزودة للإجراء التصحيحي.

**ملاحظة**

تلف الشاحن

◀ في حالة استمرار الخطأ أو تكراره، افصل الشاحن عن مصدر التيار الرئيسي واتصل بفني كهرباء مؤهل. توصي بورشه بالتعامل مع شريك خدمة معتمد من بورشه.



الشكل 207: عرض الأعطال

الموقف	الإجراء الموصى به
توقفت الشاشة (الشاشة، مصابيح LED الخاصة بالحالة، زر التشغيل) عن العمل تماماً.	◀ افصل الشاحن عن مصدر التيار الرئيسي واستبدله. ◀ اطلب من فني كهرباء مؤهل فحص التركيب المنزلي.
الشاشة فارغة ومصابيح LED الخاصة بالحالة لا يتغير لونها وزر التشغيل يضيء باللون الأحمر.	◀ الشاحن ساخن للغاية، افصل الشاحن عن مصدر التيار الكهربائي وأتركه يبرد ببطء من تلقاء نفسه. ◀ في حالة استمرار الخطأ، استبدل الشاحن.
لا يمكن تقييد التشغيل أو الشحن (رسالة على الشاشة).	◀ تأكد من اتصال كبل الإمداد وكبل السيارة بوحدة التحكم في الجانب الصحيح ومن توصيلهما في التوصيلات بصورة صحيحة. ◀ تأكد من وجود الشاحن داخل نطاق درجة الحرارة المسموح به. ◀ راجع الفصل "البيانات الفنية" في الصفحة 441. ◀ قم بإقرار أي رسالة خطأ تظهر. ◀ أعد تشغيل الشاحن. اضغط على زر التشغيل لمدة 10 ثوانٍ على الأقل لإعادة التشغيل.

الموقف	الإجراء الموصى به
تيار الشحن منخفض للغاية (رسالة على الشاشة).	الشبكة المنزلية محملة بصورة زائدة. قم بإيقاف تشغيل الأحمال الكهربائية العالية الأخرى.
الجهد الكهربائي لمصدر التيار الكهربائي الرئيسي مرتفع للغاية (رسالة على الشاشة).	اطلب من فني كهرباء مؤهل فحص التركيب المنزلي.
الشاحن ليس ضمن نطاق درجة الحرارة المسموح به (رسالة على الشاشة).	<ul style="list-style-type: none"> <li>◀ إيقاف التشغيل بسبب درجة حرارة الجهاز: تجنب أشعة الشمس المباشرة واترك الشاحن يبرد ببطء من تلقاء نفسه.</li> <li>◀ إيقاف التشغيل بسبب درجة الحرارة المنخفضة: اترك الشاحن يسخن في بيئة دافئة قبل استخدامه.</li> <li>◀ جهاز استشعار درجة حرارة الجهاز به خلل: استبدل الشاحن.</li> </ul>
تم تشغيل قاطع الدائرة الكهربائية في التركيب المنزلي (رسالة على الشاشة).	<ul style="list-style-type: none"> <li>◀ اخفض تيار الشحن في إعدادات الشاحن.</li> <li>◀ قم بإقرار أي رسالة خطأ تظهر.</li> </ul>
<p>يتم عرض انقطاع الشحن:</p> <ul style="list-style-type: none"> <li>◀ ☹ يضبط زر التشغيل باللون الأبيض</li> <li>◀ ○ تومض مصابيح LED الخاصة بالحالة باللون الأزرق.</li> <li>◀ يتم تشغيل الشاشة.</li> </ul>	<ul style="list-style-type: none"> <li>◀ انتظر إلى أن تبدأ السيارة الشحن مرة أخرى تلقائياً.</li> <li>◀ يمكن إيقاف الشحن في السيارة.</li> </ul>

## النقل

الحمولة غير المثبتة بإحكام



تحذير

من الممكن أن ينزلق الشاحن غير المثبت، أو المثبت بصورة غير صحيحة أو الموضوع بصورة غير صحيحة، من مكانه ويعرض راكبي السيارة للخطر أثناء الكبح أو التسارع أو تغييرات الاتجاه أو الحوادث.

- ◀ لا تنقل الشاحن مطلقاً دون تثبيته.
- ◀ انقل الشاحن دائماً في صندوق الأمتعة، لا تنقله مطلقاً في مقصورة الركاب (على سبيل المثال: على المقاعد أو في مقدمتها).

## تثبيت الشاحن لعملية النقل

يتم تزويد الشاحن مع حاوية نقل أو بدونها، بناءً على نوع السيارة.

- ◀ في حالة تزويد حاوية نقل: خزن الشاحن دائماً وانقله في الحاوية، قم بتوصيل علبة النقل بحلقات الربط الأمامية والخلفية باستخدام كلابات. للاطلاع على معلومات حول حلقات الربط في صندوق الأمتعة: راجع دليل السائق.
- ◀ في حالة عدم تزويد حاوية نقل: خزن الشاحن في صندوق الأمتعة الخلفي لنقله.
- ◀ بناءً على نوع السيارة، خزن الشاحن بطريقة لا تعرض أي من راكبي السيارة لمواقف خطيرة.

## التنظيف والصيانة

افحص الشاحن للتأكد من عدم تلفه واتساخه على فترات منتظمة ونظفه عند الضرورة.

الصدمة الكهربائية، الحريق

**خطر** ⚠

خطر حدوث إصابة بالغة أو قاتلة جراء نشوب حريق أو التعرض لصدمة كهربائية.

- ◀ لا تقم مطلقًا بغمر الشاحن أو القوابس في الماء أو رشها مباشرةً بالماء (أجهزة التنظيف بالضغط العالي أو خراطيم الحدائق على سبيل المثال).
- ◀ لا تنظف الشاحن إلا عند فصل وحدة التحكم بالكامل عن مصدر التيار الرئيسي وعن السيارة. استخدم قطعة قماش جافة للتنظيف.

## التخلص من البطاريات

يجب تسليم الأجهزة الكهربائية/الإلكترونية في نقطة تجميع أو منشأة لمعالجة النفايات.

- ◀ لا تلق الأجهزة الكهربائية/الإلكترونية مع النفايات المنزلية.
- ◀ التخلص من الأجهزة الكهربائية/الإلكترونية وفقاً للوائح الحماية البيئية السارية.
- ◀ في حالة وجود أسئلة حول كيفية التخلص منها، اتصل بشريك بورشه.

## البيانات الفنية

BJ (MCC22E3 A <sup>1</sup> )	BG (MCC11E3 A <sup>1</sup> )	BE (MCC72E2 A <sup>1</sup> )	البيانات الكهربائية 9Y0.971.675...
22 كيلوواط	11 كيلوواط	7.2 كيلوواط	القدرة
32 أمبير، ثلاثي الأطوار	16 أمبير، ثلاثي الأطوار	16 أمبير، ثنائي الأطوار 32 أمبير، أحادي الطور	التيار الاسمي
100 – 400 فولت	100 – 400 فولت	100 – 240 فولت/400 فولت	جهد مصدر التيار الرئيسي
3	3	2/1	الأطوار
50 هرتز/60 هرتز	50 هرتز/60 هرتز	50 هرتز/60 هرتز	تردد مصدر التيار الرئيسي
II	II	II	فترة الجهد الكهربائي الرائد (IEC 60664)
النوع A (التيار المتردد: 30 مللي أمبير) + التيار المستمر: 6 مللي أمبير	النوع A (التيار المتردد: 30 مللي أمبير) + التيار المستمر: 6 مللي أمبير	النوع A (التيار المتردد: 30 مللي أمبير) + التيار المستمر: 6 مللي أمبير	جهاز التيار المتبقى المدمج
I	I	I	فترة الحماية
IP55 (الولايات المتحدة الأمريكية: الحاوية 3R)	IP55 (الولايات المتحدة الأمريكية: الحاوية 3R)	IP55 (الولايات المتحدة الأمريكية: الحاوية 3R)	نوع الحماية
2.4 جيجا هرتز، 5 جيجا هرتز	2.4 جيجا هرتز، 5 جيجا هرتز	2.4 جيجا هرتز، 5 جيجا هرتز	نطاقات تردد البث
20 ديسيبيل مللي واط	20 ديسيبيل مللي واط	20 ديسيبيل مللي واط	طاقة البث (الإرسال)

## البيانات الفنية

BJ (MCC22E3 A <sup>1</sup> )	BG (MCC11E3 A <sup>1</sup> )	BE (MCC72E2 A <sup>1</sup> )	البيانات الميكانيكية 9Y0.971.675...
		2.54 كجم	وزن وحدة التحكم
		2.5 م أو 7.5 م	طول كابل السيارة
		0.9 م	طول كابل الشبكة

BJ (MCC22E3 A <sup>1</sup> )	BG (MCC11E3 A <sup>1</sup> )	BE (MCC72E2 A <sup>1</sup> )	البيانات الميكانيكية الخاصة بالحامل الجداري الأساسي 9Y0.971.675...
		385 × 135 × 65 مم (الطول × العرض × الارتفاع)	أبعاد الحامل الجداري الأساسي
		0.45 كجم تقريباً	وزن الحامل الجداري الأساسي
		127 × 115 × 139 مم (الطول × العرض × الارتفاع)	أبعاد موجه الكابلات
		0.42 كجم تقريباً	وزن موجه الكابلات
		136 × 50 × 173 مم (الطول × العرض × الارتفاع)	أبعاد حامل الموصل
		0.14 كجم تقريباً	وزن حامل الموصل
		1 كجم تقريباً	وزن الحامل الجداري الأساسي الكامل

<sup>(1)</sup> A يشير إلى التغييرات القادمة التي ستطرأ على التصميم ويمكن أن يكون أي حرف.



BJ (MCC22E3 A <sup>1</sup> )	BG (MCC11E3 A <sup>1</sup> )	BE (MCC72E2 A <sup>1</sup> )	البيانات الميكانيكية لمنصة الشحن ...9Y0.971.675
			أبعاد منصة الشحن
			232 × 642 × 373 مم (العرض × الارتفاع × العمق)
			وزن منصة الشحن
			9.7 كجم تقريبًا
BJ (MCC22E3 A <sup>1</sup> )	BG (MCC11E3 A <sup>1</sup> )	BE (MCC72E2 A <sup>1</sup> )	الظروف المحيطة وظروف التخزين ...9Y0.971.675
			درجة الحرارة المحيطة
			30- درجة مئوية إلى +50 درجة مئوية
			الرطوبة
			5% - 95% بدون تكثيف
			الارتفاع
			5000 م فوق مستوى سطح البحر بحد أقصى

H الجهة المصنعة  
I تاريخ التصنيع  
J الرقم التسلسلي  
K تسمية النوع

## معلومات التصنيع

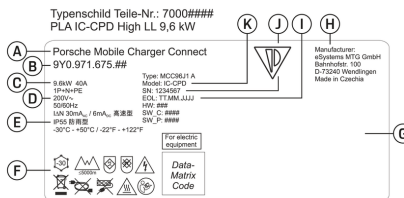
### تاريخ التصنيع

يمكنك العثور على تاريخ تصنيع الشاحن على لوحة البيانات بعد الاختصار "EOL i.o.". ويتم ذكره بالتنسيق التالي: يوم الإنتاج. شهر الإنتاج. عام الإنتاج

### الجهة المصنعة للشاحن

eSystems MTG GmbH

## لوحة البيانات



الشكل 208: لوحة البيانات (مثال)

- A اسم المنتج
- B رقم العنصر (المنف)
- C القدرة والتيار الاسمي
- D جهد مصدر التيار الرئيسي
- E نوع الحماية
- F الصور التوضيحية للتشغيل
- G معلومات عن المصادقة

<sup>(1)</sup> يشير إلى التغييرات القادمة التي ستطرأ على التصميم ويمكن أن يكون أي حرف.



03725-21-12707

Este equipamento opera em caráter secundário, isto é, não tem direito a proteção contra interferência prejudicial, mesmo de estações do mesmo tipo, e não pode causar interferência a sistemas operando em caráter primário". Para maiores informações, consulte o site da ANATEL [www.anatel.gov.br](http://www.anatel.gov.br)

الهاتف: +971 2 619 3911

Bahnhofstraße 100

73240 فندلينغن

ألمانيا

### Russland

Porsche Russia

Ленинградское шоссе дом 71А,  
строение 10

Москва, Россия, 125445

الهاتف: +7-495-580-9911

### Dubai: Al Nabooda Automobiles L.L.C

Porsche Centre Dubai

Sheikh Zayed Road E11

Dubai

United Arab Emirates

P.O. Box 10773

الهاتف: +971 4 305 8555

### الاختبارات الكهربائية

في حالة وجود أسئلة حول الاختبار الكهربائي الدوري للبنية التحتية للشحن (على سبيل المثال VDE 0702)، يُرجى الاستعلام على <https://www.porsche.com/international/accessoriesandservice/porscheservice/vehicleinformation/documents/> أو لدى شريك بورشه.

### Singapur: Porsche Singapore

Porsche Asia Pacific Pte Ltd

McCallum Street #12-01 20

Tokio Marine Centre

Singapore 069046

### Great Britain



Porsche Cars Great Britain Ltd.

Bath Road

Calcot, Reading, Berkshire

RG31 7SE

United Kingdom

### إعلان المطابقة

يحتوي الشاحن على نظام راديو (لاسلكي). تعلن الجهة المصنعة لأنظمة الراديو (اللاسلكية) هذه أن هذه الأنظمة متوافقة مع متطلبات استخدامها الواردة في التوجيه EU/2014/53. يتوفر النص الكامل لإعلان المطابقة للاتحاد الأوروبي على عنوان الإنترنت التالي:

<http://www.porsche.com/international/accessoriesandservice/porscheservice/vehicleinformation/documents>

### المستوردون

### Abu Dhabi: Ali & Sons Co. L.L.C

Porsche Centre Abu Dhabi

Zayed 2nd Street

Abu Dhabi

United Arab Emirates

P.O. Box 915

اختيار مكان التركيب	413
إدخال حساب	431
إرشادات التشغيل	424
إرشادات السلامة	407
استهلاك الطاقة أثناء عملية الشحن	423
استهلاك الطاقة الكلي	
عملية الشحن الحالية	423
اسم المضيف	429
إعداد المطالبة برقم PIN	423
إعلان المطابقة	444
إقران معرف بورشه	422
إقران ملفات تعريف المستخدمين	431, 422
الاتصالات	
اتصال WiFi	422
جهاز إدارة الطاقة	422
رمز أمان PLC	422
زر إقران PLC	422
نقطة الاتصال	422
الأدوات	414
الأدوات المطلوبة	414
الاستخدام المطابق للتعليمات	408
الأعطال	436
البيانات الفنية	
البيانات الكهربائية	441
البيانات الميكانيكية	441
الظروف المحيطة وظروف التخزين	441
التثبيت للنقل	438
التخلص من البطاريات	440
التشغيل	421
الجهة المصنّعة	443
الرقم التسلسلي	443
الرقم التسلسلي للشاحن	410
الرموز الواردة في دليل السائق هذا	404

الشاحن	
التوصيل	428
الصور التوضيحية	406
حالة الجهاز	423
حالة الشحن	423
طاقة الشحن	423
كلمة المرور الأولية	409
الشبكة المنزلية	422
اسم المضيف	429
عنوان IP	429
الشحن	
الإنهاء	426
الإيقاف المؤقت	425
تشغيل	425
الصور التوضيحية	406
الصيانة	439
العرض	
التنقل	412
اللغة والدولة	421
شريط الحالة	411, 411
شريط القوائم	412
الكلبات	
الفصل	421
تثبيت	421
اللغة والدولة	421
المزيد من المعلومات	406
المستودون	444
إلى دليل السائق	
المزيد من المعلومات	406
معلومات خصوصية البيانات	406
إنشاء اتصالات الشبكة	
اتصال خط الطاقة (PLC)	430
اتصال WiFi	429
نقطة الاتصال	429
أوقات الشحن	425

ب

بنية الملاحظات التحذيرية	404
بيانات الوصول	409
الرقم التسلسلي للشاحن	410
تطبيق الويب	410
بيع الشاحن	410

ت

تاريخ التصنيع	443
تحديث البرنامج	421
تحديد شبكة	422
تركيب قاعدة التركيب الحائطية الأساسية	414
تركيب مثبت الموصل	414
تركيب منصة الشحن	
التركيب دون مبادئ	416
التركيب مع مبادئ	415
تركيب وحدة التحكم في منصة الشحن	434
تسجيل الدخول إلى الشاحن	423
تصدير سجل الشحن	428
تطبيق الويب	
اتصال WiFi	427
التشغيل الأولي	423
تغيير كلمة المرور	410
فتح	427
فقد كلمة المرور	410
كلمة المرور الأولية	410
نقطة الاتصال	427
تغيير كلبات الإمداد وكلبات السيارة	420
تكوين خادم DNS	429
تكوين عنوان IPv4	429
تنظيف	439
ج	
جهاز إدارة الطاقة	422
إضافة	430
الإقران	430
ضبط تيار الشحن	422

ح

- حالة الشحن ..... 423  
 حماية الجهاز ..... 423

خ

- خيارات التحكم ..... 412

ر

- رقم الصنف الخاص بالشاحن ..... 441  
 رقم PIN ورقم PUK .....  
 الفقد ..... 410  
 تغيير كلمة المرور ..... 410

ش

- شبكة WiFi .....  
 إدارة ..... 429  
 التوصيل ..... 429  
 الفصل ..... 429  
 شبكة غير معروفة ..... 429

ض

- ضبط تيار الشحن ..... 423  
 ضبط حد تيار الشحن ..... 426

ط

- طاقة الشحن .....  
 عرض ..... 423

ع

- عملية الشحن .....  
 استهلاك الطاقة ..... 428  
 عرض ..... 428  
 عملية الشحن الحالية ..... 423  
 عنوان IP ..... 429

ف

- فقدان بيانات الوصول ..... 409  
 فك وحدة التحكم من منصة الشحن ..... 434

ك

- كابل الشبكة ..... 417  
 المقبس الصناعي ..... 418  
 المقبس المنزلي ..... 418  
 كابل الشحن .....  
 أنواع الكابلات والقواس ..... 417  
 كابل شحن السيارة .....  
 أنواع الكابلات والقواس ..... 417

ل

- لوحة البيانات ..... 443

م

- مراقبة التأريض .....  
 إلغاء تنشيط ..... 426  
 تنشيط ..... 427  
 مساعد الإعداد ..... 423  
 معرف بورشه ..... 410  
 معلومات التصنيع ..... 443  
 معلومات خصوصية البيانات ..... 406  
 منصة الشحن ..... 434  
 إغلاق ..... 434  
 إلغاء القفل ..... 434  
 القفل ..... 434  
 فتح ..... 434  
 منفذ شحن السيارة ..... 425

ن

- نطاق الإمداد ..... 409  
 نقطة الاتصال ..... 422  
 الإعداد ..... 429  
 نقل البيانات ..... 421  
 نقل الشاحن وتثيته ..... 438

و

- وحدة التحكم ..... 411  
 التوصيل بقاعدة التركيب الحائطية ..... 415  
 العرض ..... 411  
 نظرة عامة على التوصيلات ..... 410

## この取扱説明書について

### 警告およびシンボル

この取扱説明書にはさまざまな警告およびシンボルが使用されています。



**危険**

重傷または死亡に至る危険

「危険」欄の警告を守らないと、重傷または死亡に至る危険があります。



**警告**

重傷または死亡に至る可能性

「警告」欄の警告を守らないと、重傷または死亡に至る可能性があります。



**注意**

中程度の怪我または軽傷を負う可能性

「注意」欄の警告を守らないと、中程度の怪我または軽傷を負う可能性があります。

### 知識

車両が損傷する可能性

「通知」欄の警告を守らないと、車両が損傷する可能性があります。

### インフォメーション

追加情報は「インフォメーション」という語を用いて記載されます。

- ✓ 機能を使用するために満たす必要のある前提条件です。
- ▶ お守りいただく必要のある指示です。

1. 手順が複数のステップに分かれる場合は、番号が付けられています。
2. 従う必要のある手順がセントラルディスプレイに表示されます。

▶ トピックに関する詳しい重要情報が記載されている通知です。

**Deutsch****取扱説明書用**

イラストの説明	449
データ プライバシーに関する情報	449
詳細情報	449

**セキュリティ**

安全に関する指示	450
正しい使用	451

**付属品**

アクセス データ	452
----------	-----

**概要**

コントロールユニットの接続部	454
充電器コントロールユニット	454
ディスプレイ パネルの表示部と制御部	454

設置場所の選択	457
---------	-----

必要なツール	458
--------	-----

**取り付け**

ウォールマウントの取り付け	458
スペーサー無しの設置	459
スペーサー有りの設置	460

**設定**

車両充電ケーブルと電源供給ケーブル	461
初期操作と構成	463
ウェブアプリケーションを使用した起動	465
充電器へのログイン	465
充電器での設定の開始	465
概要	465

**操作**

取扱説明書	466
充電	467
Web アプリケーションへのログイン	469
Web アプリケーションの使用	470
充電ドック	476

作動不良	478
------	-----

輸送	480
----	-----

清掃とメンテナンス	481
-----------	-----

廃棄	482
----	-----

**テクニカルデータ**

製品情報	485
------	-----

索引	486
----	-----

## 取扱説明書用 イラストの説明

充電器に表示されているマークは、国によって異なる場合があります。



充電器は -30 °C ~ +50 °C の温度範囲で使用してください。



充電器は海拔 5,000 m 以上の標高では使用しないでください。



充電器には保護導線 (スイッチなし) が取り付けられています。



充電器には保護導線 (スイッチあり) が取り付けられています。



充電器の廃棄処分は、該当するすべての定められた廃棄法規に従って行ってください。



延長ケーブルまたはケーブルリールを使用しないでください。



(旅行用) アダプターは使用しないでください。



電源タップは使用しないでください。



損傷したエレクトロニクスまたは接続ケーブルの充電器は使用しないでください。



正しい使用方法を守らなかった場合、感電する恐れがあります。



取扱説明書に記載されている内容、特に警告や安全に関する注意事項を遵守してください。



充電器の表面は非常に熱くなることがあります。



アースされていない主電源システム (IT ネットワークなど) で充電器を作動させないでください。充電器は、アースされた主電源システムでのみ作動させてください。



充電器は、単相ネットワークでのみ使用してください。



充電器には交流が必要です



電圧範囲 ≤ 250 VAC のタイプ 1 プラグを表示します。



電圧範囲 ≤ 480 VAC のタイプ 2 プラグを表示します。

## データ プライバシーに関する情報

ポルシェ充電機器の正常な通信状態と最新の状態を保つため、ポルシェは以下の暗号化されたデバイス特有データを充電機器から定期的に収集します。デバイス ID、ブランド、世代、デバイスの種類、およびソフトウェアバージョン。

充電機器に他のポルシェ コネクト サービスも使用した場合、最寄りのポルシェ コネクト 代理店から入手可能な Porsche ID アカウントに充電機器をペアリングしてください。これらのサービスを提供し、読み取るため、ポルシェ コネクト サービスの使用時にポルシェは以下の個人情報やデバイス特有の他のデータを収集します。カスタマー ID、統計、充電プロセスの情報、ステータス、接続ステータス、および最終通信確立時のタイムスタンプ。ビジネスの一般条件とプライバシー ポリシーおよびデータのプライバシー ポリシーの詳細については、[www.porsche.com/connect-store](http://www.porsche.com/connect-store) から確認できます。

充電機器から定期的にデータ送信を実施すると、お客様のインターネット サービス プロバイダーの料金に追加料金が発生する場合があります。ポルシェに保管されたデータは My Porsche を使用して完全に消去することができます。技術的または法的な制約により、一部のポルシェ コネクト サービスをポルシェ充電機器で使用できない国もあります。

## 詳細情報

充電器と Web アプリケーションに関する詳しい情報は、<https://www.porsche.com> の「E パフォーマンス」エリアで確認できます。

## セキュリティ 安全に関する指示

### ⚠ 危険

感電、ショート、火災、爆発

損傷または故障した充電ケーブルや電気ソケットを使用したり、充電器を不適切に使用したり、または安全に関する指示を遵守しなかったりした場合、ショート、感電、爆発、火災、火傷などが発生する恐れがあります。

- ▶ 電源ケーブルおよび車両ケーブルなどのアクセサリは、ポルシェが承認した供給品のみを使用してください。
- ▶ 損傷している、または汚れた充電器は使用しないでください。使用前に、ケーブルおよびプラグコネクタに損傷や汚れがないかを確認してください。
- ▶ 充電器は、適正に取り付けられた損傷のない装置の電気ソケットにのみ接続してください。
- ▶ 延長ケーブル、ケーブルリール、電源タップ、または旅行用アダプターは使用しないでください。
- ▶ 荒天時は充電器を主電源から外してください。
- ▶ いずれの電子部品に対しても、改造や修理を行わないでください。
- ▶ 故障の修理と修理作業は技術専門家のみが実施してください。

### ⚠ 危険

感電、火災

電気ソケットが正しく取り付けられていないと、車両充電ポートを使用した高電圧バッテリーの充電の際に、感電や火災につながる恐れがあります。

- ▶ 電源供給のテスト、充電器の電気ソケットの取り付けおよび初回操作は、必ず有資格電気技術者が実施する必要があります。この作業員には、関連するすべての基準と規則を遵守する責任があります。ポルシェ正規販売店にご用命ください。
- ▶ 充電器は、アースされた主電源システムでのみ作動させてください。アースされていない主電源システム (IT ネットワークなど) で充電器を作動させないでください。
- ▶ 電気ソケット用電源ケーブルの断面は、線長および関連する国の規制や基準に従って規定されています。
- ▶ 充電に使用する電気ソケットは、関連する国の法令や基準に適合し、独立したヒューズで保護された電気回路に接続する必要があります。
- ▶ 充電器は、私有地や会社の駐車場などの私的および半公共スペースでの使用を意図しています。イタリアおよびニュージーランドなど、国によっては公共の場での mode 2 充電が禁止されています。詳細については、ポルシェ正規販売店または地元の電力会社にお問い合わせください。
- ▶ 充電中は、許可を受けていない人 (お子様など) やペットが充電器や車両に触れることがないように目を離さないでください。
- ▶
  - ▷ 取り付けマニュアルおよび車両取扱説明書の安全に関する指示を必ずお読みください。

### ⚠ 危険

感電、火災

プラグ接点の取り扱いを誤ると、感電や火災の原因となります。

- ▶ 車両充電ポートおよび充電器の接点に触れないでください。
- ▶ 車両充電ポートまたは充電器に物を挿入しないでください。
- ▶ 電気ソケットおよびプラグコネクタに、水、湿気、その他の液体が入らないように保護してください。

### ⚠ 警告

可燃性または爆発性の気体

充電器の構成部品から火花が発生し、可燃性または爆発性の気体に引火する可能性があります。

- ▶ – 特にガレージ内での – 爆発の危険性を軽減するため、充電中は必ずコントロールユニットが床から 50 cm 以上の高さになるようにしてください。
- ▶ 充電器を爆発の可能性がある環境に設置しないでください。

充電器を使用して中断することなく確実に充電するために、以下の指示および推奨事項に従ってください。

- 新品の電気ソケットを取り付けるときは、家庭用電気装置に使用可能な、できるだけ高電力用の工業用電気ソケットを、有資格電気技術者に依頼して設置してください。ポルシェ正規販売店にご用命ください。
- 技術的に可能で法的にも認められる場合、電気装置は電気ソケットの最大定格電力が車両の充電に利用可能であることを確認して選定してください。



- 取り付ける前に、現在使用可能な家庭用電気装置で車両の充電に必要な電力を常時供給できるかを確認する必要があります。必要に応じて、家庭用電気装置をエネルギー マネージメント システムで保護してください。
- 家庭用電気装置についてご不明な点がある場合、有資格電気技術者にご相談ください。ポルシェ正規販売店にご用命ください。
- 充電器を太陽光発電システムとともに使用する場合、ポルシェ正規販売店にお問い合わせください。
- 充電器の性能を最大限に活用して確実に車両を急速充電するためには、電源プラグに適したできるだけ定格電流の高いNEMA 電気ソケットまたはIEC 60309 に準拠した工業用電気ソケットを使用してください。
- 家庭用 / 工業用コンセントを使用して高電圧バッテリーを充電するときは、電気設備に大きな負荷がかかる場合があります。充電に使用する電気装置は、有資格電気技術者によって定期的に点検を受けることをお勧めします。電気装置に適した点検時期については、電気技術者にお問い合わせください。ポルシェ正規販売店にご用命ください。
- 納品時は、電気装置のオーバーヒートを防ぐため、充電電流は自動的に制限されています。充電器の作動復帰および電気設備の必要に応じた充電電流の制限設定は、有資格電気技術者に依頼してください。
  - ▶ 468 ページの「充電電流制限」の章を参照してください。

## グラウンドに関する指示

充電器をグラウンドする必要があります。

故障が発生した場合や充電器が作動しなくなった場合、グラウンド端子部から最も低い電気抵抗を持つ導電経路が発生し、感電の危険を防止します。

充電器には、グラウンド導線と適切な電源プラグを伴ったケーブルが付属します。電源プラグは、関連する国の規定や法規に従って取り付けられグラウンドされた適切な電気ソケットに接続されている必要があります。

### 警告

感電、ショート

グラウンド導線の接続不良は感電の原因となります。

- ▶ 適切なグラウンド手順についてご不明な点がある場合は、有資格電気技術者にご相談ください。
- ▶ 供給された電源プラグを改造しないでください。電源プラグが電気ソケットにはまらない場合、有資格電気技術者に適切な電気ソケットを取り付けるよう依頼してください。

## 正しい使用

Mode 2 充電用に制御と保護が一体化された充電器は、電気自動車の一般的な適合基準および規定を満たした高電圧バッテリー装備車の充電に使用することを前提に設計されています。

- ▶ 使用する電源に適合する装置バージョンを必ず使用してください。
  - ▶ 483 ページの「テクニカルデータ」の章を参照してください。

充電器は、電源供給ケーブル、コントロールユニットおよび車両ケーブルで構成されたユニットとしてのみ使用できます。

室外での使用に適しています。

## 付属品

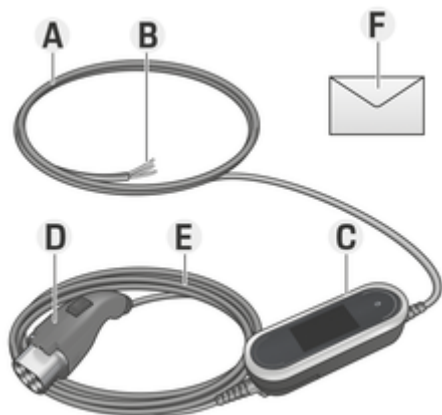


図. 209: 電源プラグなしの供給範囲

- A 電源供給ケーブル（コントロールユニットにプラグ接続可能）
- B 主電源への接続
- C コントロールユニット
- D 車両プラグ（車両用コネクタープラグ）
- E 車両ケーブル（国別：コントロールユニットに固定するか交換可能である）
- F アクセスデータが記載されたレター

### ① インフォメーション

固定接続部を使用する場合、適切な別のヒューズまたはオーバーフロー保護装置を上流の電源供給システムに取り付ける必要があります（取り付け説明書を参照）。



図. 210: 電源プラグ付き付属品

- A 電源供給ケーブル（コントロールユニットにプラグ接続可能）
- B 主電源への接続用電源プラグ
- C コントロールユニット
- D 車両プラグ（車両用コネクタープラグ）
- E 車両ケーブル（国別：コントロールユニットに固定するか交換可能である）
- F アクセスデータが記載されたレター

### ① インフォメーション

オプション製品：他の国では充電器のウォールマウントベースや充電ドックなど、さまざまなウォールマウントが入手できます。

## アクセスデータ

充電器とウェブアプリケーションに必要なデータなどのアクセスデータを含むレターがデバイスと Web Application とともに提供されています。

- ▶ アクセスデータを含むレターを安全な場所に保管してください。

### ① インフォメーション

初期設定 PIN や初期パスワードなど、デバイスの納品時に有効なアクセスデータを紛失した場合、ポルシェ正規販売店にお問い合わせください。

- 充電器のシリアルナンバーを用意しておきます。
  - ▶ 453 ページの「充電器のシリアルナンバー」の章を参照してください。

アクセスデータを含む通知書には以下のデータが含まれます。

名称	意味
シリアルナンバー	充電器のシリアルナンバー
WiFi MAC	WiFi インターフェースの MAC アドレス
GRID MAC	家庭用 PLC インターフェースの MAC アドレス
車両 MAC	車両 PLC インターフェースの MAC アドレス
WiFi SSID	- WiFi アクセスポイントの SSID - ホスト名

名称	意味
WiFi PSK	ネットワーク キー
ホーム ユーザーのパスワード	ホーム ユーザー ウェブ アプリケーションの初期パスワード
カスタマー サービスのパスワード	カスタマー サービス ウェブ アプリケーションの初期パスワード
ピン	個人識別番号
PUK	パーソナルロック解除キー

### **i** インフォメーション

ホスト名は、以下のコンポーネントで構成されます。  
チャージャー+シリアルナンバー (例：  
MobileChargerConnect-1234567)

### **i** インフォメーション

セキュリティ フィールドには必要なアクセス コード (PIN および PUK) が含まれます。このフィールドには、これらのコードを覆う特殊なインクがあります。流水でこのフィールドを湿らせた場合にのみコードが表示されます。

コードが損傷することがあるので、湿らせるときにはフィールドを擦ったりひっかいたりしないでください。

## PIN および PUK

PIN および PUK は充電器のロック解除に使用されません。

- ▶ ご自身で設定した PIN を紛失したり忘れたりした場合、PUK を入力して充電器をロック解除し、新しい PIN を設定してください。
- ▶ PUK を紛失した場合は、ポルシェ正規販売店にお問い合わせください。

## ウェブアプリケーションのパスワード

パスワードは Web Application にログインするために使用します。

初期パスワードを使用するとき：

- ▶ 初期パスワードを紛失したり忘れたりした場合は、ポルシェ正規販売店にお問い合わせください。

ご自身で設定したパスワードを使用するとき：

- ▶ ご自身で設定したパスワードを紛失したり忘れたりした場合、充電器を工場出荷時の設定にリセットし、初期パスワードを再度有効にしてください (設定 **⚙** ▶ 工場出荷時設定)。

## 充電器のシリアルナンバー

充電器のシリアルナンバーは以下の場所にあります。

- 名称「Serial NumberSerial Number」後のアクセス データが記載されたレター
- 略語「SNSN」の後のビークルプレート (コントロールユニットの背面)
- 充電器：設定 **⚙** ▶ メンテナンス ▶ デバイス情報
- Web Application 内：設定 ▶ メンテナンス ▶ 情報

## Porsche ID

充電器がお客様の Porsche ID にペアリングされている場合、充電器および充電プロセスに関するインフォメーションを My Porsche および Porsche Connect App に表示できます。

充電器を今後使用しないため売却などをする場合：

1. 充電器と Porsche ID のペアリングを解除します (設定 **⚙** ▶ ユーザー プロフィール)。
2. 充電器を工場出荷時の設定にリセットします (設定 **⚙** ▶ 工場出荷時設定)。

## 概要

### コントロールユニットの接続部



図. 211: コントロールユニットの接続部

- A** 電源供給ケーブル
- B** 車両ケーブル

電源供給ケーブル **A** は、コントロールユニット上部で取り外しおよび挿入を行うことができます。

車両ケーブル **B** は、コントロールユニット下部で取り外しおよび挿入が行われます。

### 充電器コントロールユニット

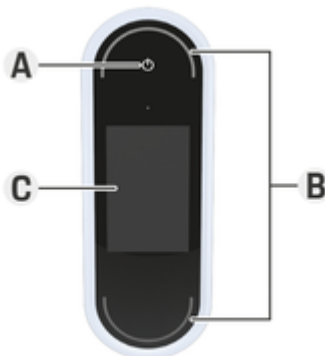


図. 212: コントロールユニット

- A** 電源ボタン
- B** ステータス LED
- C** 表示

充電器は、電源ボタン **A** (図. 212) を使用して ON/OFF を切り替えることができます。

ステータス LED **B** (図. 212) は、充電器のステータスを表示します。

充電器との通信は、情報およびエラーメッセージの形でディスプレイ **C** (図. 212) に表示されます。

### ディスプレイパネルの表示部と制御部

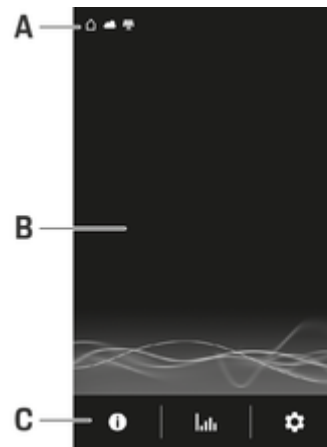


図. 213: 充電器のディスプレイ

- A** ステータスバー
- B** 情報エリア
- C** メニューバー

照度センサーがディスプレイの明るさを調節します。ディスプレイの明るさは、周囲の明るさに合わせて自動的に調整されます。

#### ステータスバー

ステータスバーにはさまざまなシンボルが表示されます。

以下は、ステータスバー内のシンボルの意味を示しています。

シンボル	意味
	WiFi 接続利用可能
	サーバー接続利用可能
	ソフトウェアのダウンロード
	PLC ネットワークへの接続利用可能
	ホットスポット有効
	充電プロファイルが車両で有効です。このプロファイルは設定に従って読み込まれます。
	太陽光発電システム接続済み

### ステータスバー

ステータスバーにはさまざまなシンボルが表示されます。

以下は、ステータスバー内のシンボルの意味を示しています。

シンボル	意味
	WiFi 接続利用可能
	サーバー接続利用可能
	ソフトウェアのダウンロード
	PLC ネットワークへの接続利用可能
	ホットスポット有効
	接地モニター無効(カナダ、メキシコ)
	充電器はエネルギーマネージャーに接続済み
	充電プロファイルが車両で有効です。このプロファイルは設定に従って読み込まれます。
	太陽光発電システム接続済み


### ① インフォメーション

重要度に応じて、重複して表示されないシンボルもあります [シンボルの優先度が高くなる例：PLC ネットワーク < WiFi 接続 < エネルギーマネージャー]。

### メニューバー

メニューバーにはさまざまなシンボルが表示されません。

以下は、メニューバー内のシンボルの意味を示しています。

シンボル	意味
	現在の充電プロセスに関する情報の表示
	充電履歴の表示
	設定の変更
	ソフトウェアアップデートが利用可能です。

### 制御オプション

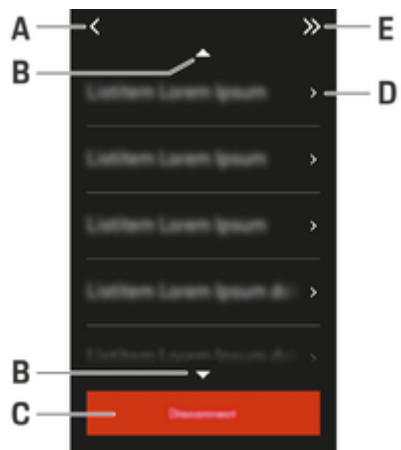


図.214: 制御オプション

- A 戻る
- B 上/下
- C 動作
- D 詳細
- E スキップ

## 設置場所の選択



危険

感電、火災

充電器を適切に使用しなかったり、安全に関する指示を遵守しなかったりすると、ショート、感電、爆発、火災、火傷が起こる恐れがあります。

- ▶ ウォールマウントベースまたは充電ドックは爆発の可能性のある場所に設置しないでください。
- ▶ ウォールマウントベースまたは充電ドックを設置する前に、取り付け穴を開ける位置の近くに電気配線がないことを確認してください。
- ▶ 特にガレージ内での爆発の危険性を軽減するため、充電中は必ずコントロールユニットが床から50 cm以上の高さになるようにしてください。
- ▶ 電気設備の設置に関する各地域の規定、火災保護の対策、事故防止の規定および避難経路について確認してください。

ウォールマウントベースおよび充電ドックは、室内と室外のいずれにも設置できるよう設計されています。適切な設置場所を選択するために、下記の基準を必ず考慮してください。

- 理想としては、電気ソケット、電源供給ライン、ウォールマウントベース、または充電ドックは、直射日光および雨から保護された屋内（ガレージなど）に取り付けてください。
- 電気ソケットの床面と天井からの距離は各国の法規や基準に従って選定し、使用しやすい位置に設置してください。
- ウォールマウントベースまたは充電ドックは吊り下げられた物などの下に設置しないでください。
- ウォールマウントベースまたは充電ドックを馬小屋や家畜小屋などのアンモニアガスが発生する場所に設置しないでください。
- ウォールマウントベースまたは充電ドックは滑らかな面に設置してください。

- 確実に固定するために、取り付け前に壁の状態を点検してください。
- ウォールマウントベースまたは充電ドックは、車両の駐車位置にできるだけ近い位置に設置してください。車両の向きも考慮してください。
- ウォールマウントベースまたは充電ドックが車両通路に近くなったり、電源ケーブルが車両通路と交差したりしないように取り付けてください。
- 電源プラグと電源ソケットの距離が利用可能な電源ケーブルの長さを超えないように、ウォールマウントベースまたは充電ドックを取り付けてください。

## 必要なツール

- 水準器
- 電動ドリルまたはハンマードリル
- ドライバー

## 取り付け ウォールマウントの取り付け ウォールマウントベースの取り付け

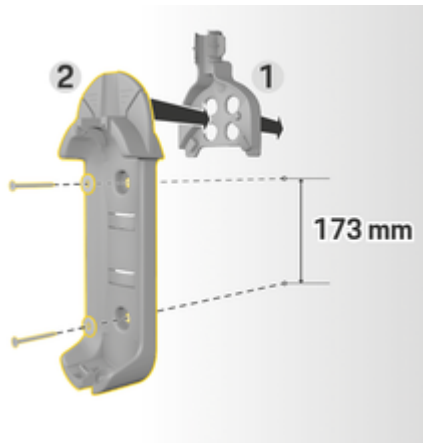


図. 215: ドリル寸法

1. 壁にドリル穴をマーキングしてください。
2. 取り付け穴をドリルで開け、取り付けプラグを差し込んでください。
3. ウォールマウントベース 2 (図. 215) を前からケーブルガイド 1 (図. 215) に押し込みます。
4. ウォールマウントベースを壁にネジ留めしてください。

## コネクターファスナーの取り付け

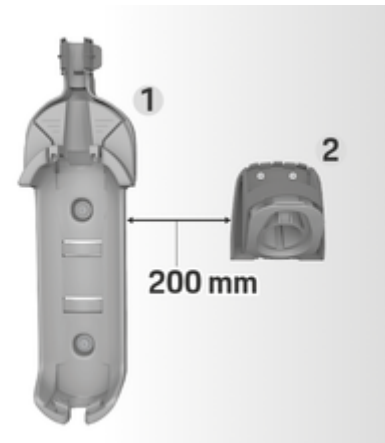


図. 216: ウォールマウントとコネクターファスナー間の距離

コネクターファスナーを取り付けるときは、ウォールマウントベースから 200 mm の距離になるようにします。



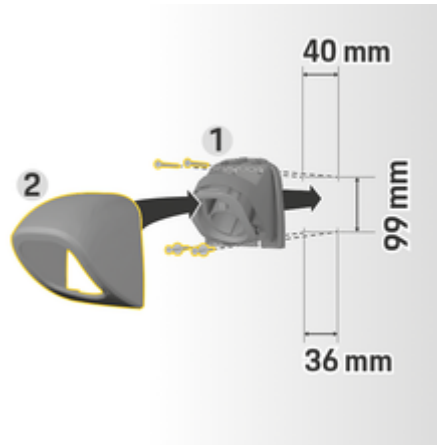


図. 217: ドリル寸法

1. コネクター ファスナー 1 (図. 217) をカバー 2 (図. 217) から取り外します。
2. 壁にドリル穴をマーキングしてください。
3. 取り付け穴をドリルで開け、取り付けプラグを差し込んでください。
4. コネクター ファスナー 1 (図. 217) を壁にネジ留めしてください。
5. カバー 2 (図. 217) をコネクター ファスナー 1 (図. 217) に下から取り付け、押し上げてください。

### ウォールマウントへのコントロールユニットの取り付け



図. 218: コントロールユニットの取り付け

1. 車両ケーブルをウォールマウントベースの下開口部に通し、コントロールユニット下部をロックタブにセットして押し戻してはめ込みます。
2. 電源供給ケーブルをウォールマウントベースの上部開口部に通し、左側へ押ししてサークリップをロックします。
3. 車両プラグをコネクターファスナーに挿入してください。

### スペーサー無しの設置

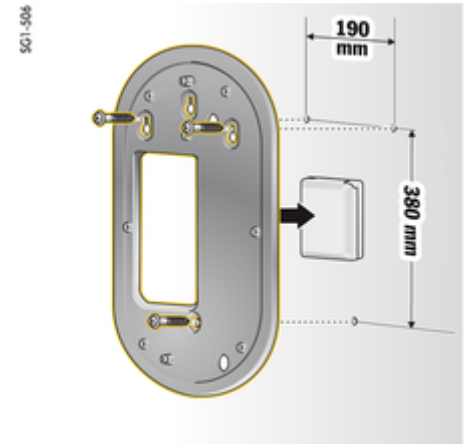


図. 219: ドリル寸法

1. 壁にドリル穴をマーキングしてください。
2. 取付穴をドリルで開け、取付プラグを差し込んでください。
3. アクセンブリープレートを壁にネジ留めしてください。

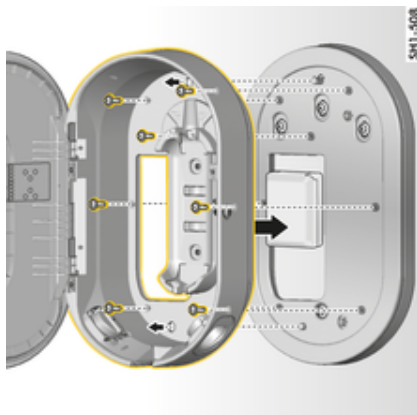


図. 220: ポルシェ充電ドックのアッセンブリープレートへのネジ留め

4. ポルシェ充電ドックをアッセンブリープレートにネジ留めしてください。

## スペーサー有りの設置

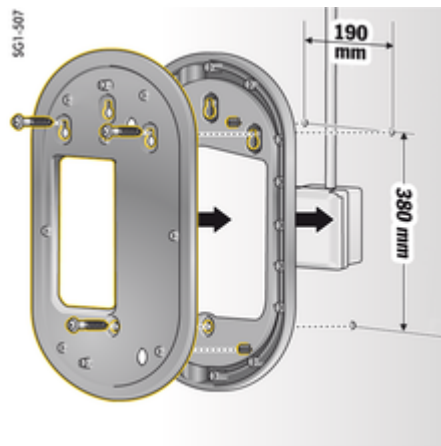


図. 221: ドリル寸法

1. 壁にドリル穴をマーキングしてください。
2. 取付穴をドリルで開け、取付プラグを差し込んでください。
3. スペーサーと一緒にアッセンブリープレートを壁にネジ留めしてください。

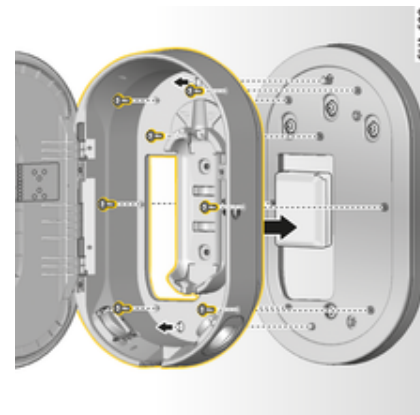


図. 222: ポルシェ充電ドックのアッセンブリープレートへのネジ留め

4. ポルシェ充電ドックをアッセンブリープレートにネジ留めしてください。

## 設定

### 車両充電ケーブルと電源供給ケーブル

#### 車両充電ケーブルおよびプラグに関する情報

国別の車両装備の仕様に応じて、車両充電ポート A および車両プラグ B が用意されています。



#### 電源供給ケーブルの選択

最適な充電スピードで充電を行うために、下記の電源供給ケーブルのみを使用してください。最大充電電力は 22 kW 以下です (装置の種類、電源供給 / 家庭用電源接続部、およびオンボード充電器によって異なります)。車両を海外で運転する際は、訪問先の国で使用できる適切な供給ケーブルを携帯してください。

車両ケーブルの長さは、状況に応じて 2.5 m または 7.5 m にすることができます。一部の国では、電源ケーブル、コントロールユニット、および車両ケーブルの合計長さは制限されます (例: スイスでは 5 m、イスラエルと米国では 7.5 m<sup>1)</sup>)。

1. 印刷時。詳細については、ボルシェ正規販売店または地元の電力会社にお問い合わせください。

## 工業用電気ソケットの電源供給ケーブル



WCZ8 20 A

## 電源供給ケーブルおよび車両ケーブルの交換

**⚠ 危険**

感電

感電によって重傷または致命傷を負う危険があります。

- ▶ 電源供給ケーブルを交換する前に、必ず電気ソケットから電源供給ケーブルを切り離し、車両ケーブルを車両充電ポートから取り外してください。
- ▶ ケーブルを交換するときは必ず乾燥した環境で行ってください。
- ▶ ポルシェが承認したケーブルのみを使用してください。

▶ 452 ページの「付属品」の章を参照してください。

ノルウェー、イタリア、ポルトガル、およびスペイン<sup>1</sup>などの一部の国において、電源供給ケーブルを交換できるのは有資格電気技術者のみです。ポルシェ正規販売店にご用命ください。

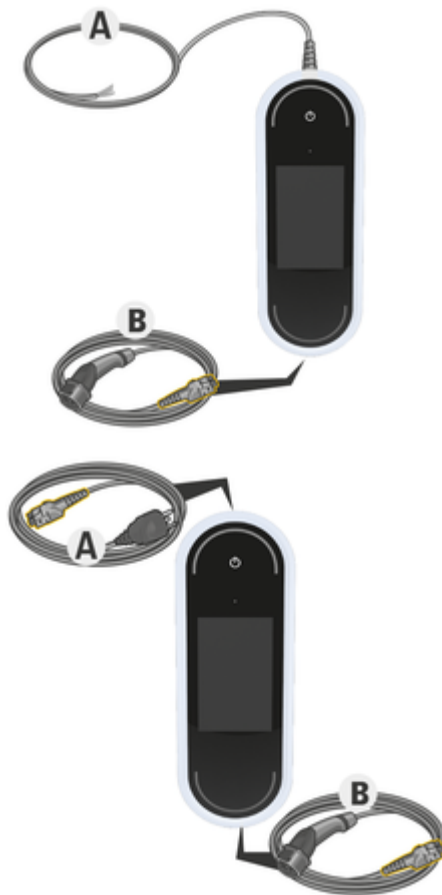


図. 223: コントロールユニットの接続部

電源供給ケーブル A は、コントロールユニット上部で取り外しおよび挿入を行うことができます。

車両ケーブル B は、コントロールユニット下部で取り外しおよび挿入が行われます。

## ケーブルの切り離し

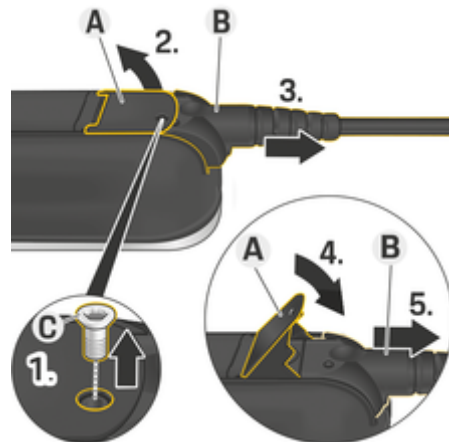


図. 224: ケーブルの切り離し

- ✓ 高電圧バッテリーの充電が終了した後、車両プラグを車両充電ポートから切り離します。
  - ✓ プラグが電気ソケットから切り離されている。
1. 適切なツールを使用して、スクリュー C (図. 224) を取り外します。
  2. リフト レバー A (図. 224)。
  3. 抵抗を感じる所までプラグ B (図. 224) を引き出します。
  4. レバー A (図. 224) を閉じます。
  5. プラグ B (図. 224) を完全に引き出します。

1. 印刷時。詳細については、ポルシェ正規販売店または地元の電力会社にお問い合わせください。

## ケーブルの固定

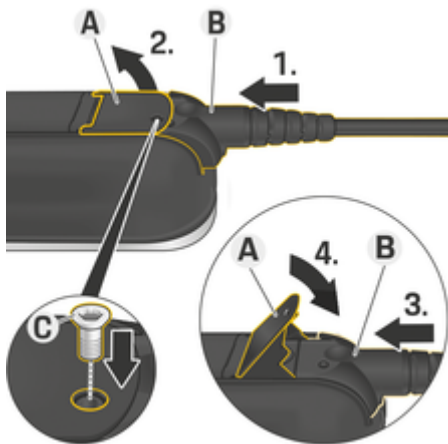


図. 225: ケーブルの接続とプラグの固定

- ✓ レバー **A** (図. 225) が閉じている。
- 1. 抵抗を感じる所までプラグ **B** (図. 225) をコントロールユニットに挿入します。
- 2. リフトレバー **A** (図. 225)。
- 3. プラグ **B** (図. 225) を完全に押し込みます。
- 4. レバー **A** (図. 225) を閉じます。
- 5. スクリュー **C** (図. 225) を使用してプラグ **B** (図. 225) をコントロールユニットに固定します。

## 初期操作と構成

## 起動

最初に充電器の使用を開始する前に、以下の設定を行ってください。

## ① インフォメーション

- オプションマークのスキップで飛ばすことができます。この場合、設定は変更されません。
- 設定はディスプレイでいつでも変更できます (⊗)。

## 言語および国

1. リストから必要な言語を選択してください。選択を決定してください。
2. リストから必要な国を選択してください。
3. 選択した言語と国を確定してください。

## データ通信

- ▶ データ転送に関する指示を読み、確認してください。

## ソフトウェアアップデート

充電器の完全な機能性および正常な使用を実現するためには、最新のソフトウェアを常にインストールする必要があります。

- ▶ ソフトウェアの自動アップデートの設定を選択し、確定してください。

**ON** 充電器はソフトウェアのアップデートを自動的にチェックし、更新がある場合には自動的にダウンロードします。

インストールは直接開始するか、後に延期することができます。

**OFF** 充電器はソフトウェアのアップデートの有無を自動的にチェックし、対応するメッセージを表示します。その後、ダウンロードを手動で開始できます。

ダウンロードが完了すると、インストールを直接開始するか、後に延期することができます。

充電器とのインターネット接続を確立することができない場合、ソフトウェアアップデートを <https://www.porsche.com> の **E パフォーマンス** エリアのウェブサイトからも手動でダウンロードでき、Web アプリケーションからインストールできます。

## ネットワークの選択

ホームネットワークに接続するためのオプションを選択します。このオプションはスキップを使用して飛ばすことができます。この場合、ホームネットワークとの接続が確立されていません。充電器が既存のホームネットワークに接続されると、高度な機能と情報が利用できるようになります。接続はWiFi または電力線搬送通信ネットワーク (PLC ネットワーク) で行うことができます。ホームネットワークが利用できない場合、充電器でホットスポットを設定できます。

## ① インフォメーション

パスワードで保護されていない公共のWiFi ネットワークはサポートされておらず、使用できません。

## WiFi 経由の接続

1. **WiFi** を選択します。
2. 検出されたWiFi ネットワークの一覧からホームネットワークを選択します。
3. パスワードを入力して、確定します。


## PLCペアリングボタンによる接続

### 1. PLCペアリングボタンを選択します。

### 2. PLCモデムの接続手順を開始してください。充電器のOKを押して確認してください。

セットアップが接続されたら、**接続**で確認してください。

- ➔ PLCネットワークへの接続が有効になります。

PLCネットワークとの接続が確立されると、 シンボルがステータスバーに表示されます。

## PLCセキュリティコードによる接続


この手順では、PLCネットワーク用制御ソフトウェアが入っている装置を使用する必要があります。

### 1. セキュリティコードを使用してPLCネットワークへの接続を確立するには、PLCセキュリティコードを選択します。

- ➔ セキュリティコードがディスプレイに表示されます。

### 2. 充電器をPLCネットワークに統合するため、PLCネットワーク用制御ソフトウェアの該当するメニューにセキュリティコードを入力してください。

- ➔ PLCネットワークへの接続が有効になります。

PLCネットワークとの接続が確立されると、 シンボルがステータスバーに表示されます。

## インフォメーション

PLC特性：

- 車両とインフラへの個別のインターフェース
- PLC→IEEE P1901
- ホームプラグAV
- 暗号化：128ビットAES

- 周波数帯：2～30 MHz

## ユーザープロフィール(Porsche IDのペアリング)

充電器がお客様のPorsche IDでペアリングされている場合、充電器および充電プロセスに関するインフォメーションをMy Porscheおよびボルシェコネクトアプリに表示できます。

### 充電器をPorsche IDとペアリングする方法：

- ▶ 充電器のディスプレイに表示されているウェブサイトをデバイスのブラウザーで開き、ユーザーコードを入力してください。
  - または-
- ▶ 充電器に表示されているQRコードをスキャンします。以下の方法でQRコードをスキャンできます。
  - ボルシェコネクトアプリの使用 [マイアカウント > 充電ケーブルとデバイス > QRコードのスキャン]。
  - デバイスのカメラの使用 (iOS 11以上、Androidを除く)。
  - QRコードをスキャンするためのアプリの使用。

充電器が正常にペアリングされた場合、設定アシスタントは次のステップに進みます。

## 電力マネージャーへの接続

利用可能な場合は、電力マネージャーへの接続を確立することができます。その後は、電力マネージャーが充電プロセスの制御を引き継ぎます。

- ▶ 接続に関する情報は、電力マネージャーの取扱説明書を参照してください。

利用可能な電力マネージャーがない場合、車両は充電器に入力された充電電流で充電されます。


### ▶ 設定 ▶ 充電電流を調整

▶ 464ページの「充電電流の調整」の章を参照してください。

## ホットスポット

ホームネットワークに統合することができない場合、充電器でホットスポットを有効にし、これを使用して充電器のWebアプリケーションへの接続を確立できます。

- ▶ ホットスポットを確立するには、**ホットスポット有効化**をクリックします。

ホットスポットが確立されると、 シンボルがステータスバーに表示されます。

## インフォメーション

Androidシステムを使用している場合は、ホットスポット接続を確立できるように、接続が確立されていることを別途確認しなければならない場合があります。

## 充電電流の調整

ホームネットワーク内で電力マネージャーが利用できない場合、充電器の最大許容充電電流をここで設定できます。

表示される最大値は接続されているケーブルの種類によって決まります。

- ▶ 充電器に使用する主電源で利用可能な最大値に充電電流を設定してください。これを行う際、**プラス**および**マイナス**を使用してください。

▶ 468ページの「充電電流制限」の章を参照してください。

## デバイス保護

未承認車両が充電器に接続されることを防止するため、PIN 入力を設定することができます。

1. PIN 入力を有効にするには、**ON** を選択してください。
2. 4桁のPINを入力し、確定します。
3. 再度PINを入力し、確定します。
  - ➔ PIN 入力の有効化が確定されます。

## インストールの完了

- ▶ **概要**を使用して入力した設定を確認し、インストールを完了してください。

## ウェブアプリケーションを使用した起動

充電器および Web Application を日常的に使用するには、まず充電器の設定を行う必要があります。次に、デバイス (PC、タブレットまたはスマートフォン) と充電器間の接続を確立する必要があります。

### ウェブアプリケーションの初回起動の要件

初めて Web Application を使用する際は、以下の情報を準備しておいてください。

- Porsche Mobile Charger Connect のアクセスデータ レター (充電器の Web Application の登録用)
- ホーム ネットワークへのアクセスデータ
- ユーザー プロフィールへのアクセスデータ (ユーザー プロフィールを Porsche ID にリンクするため)

ウェブアプリケーションは以下のブラウザに対応しています。

- Google Chrome バージョン 57 以降 (推奨)
- Mozilla Firefox バージョン 52 以降 (推奨)
- Microsoft Internet Explorer バージョン 11 以降
- Microsoft Edge
- Apple Safari バージョン 10 以降

## 充電器へのログイン

### ① インフォメーション

充電器にログインするためのデータは、アクセスデータが記載された同封のレターで確認できます。セキュリティフィールドにはアクセスコード (PIN および PUK) が含まれます。このフィールドには、これらのコードを覆う特殊なインクがあります。

流水でこのフィールドを湿らせた場合にのみコードが表示されます。

コードが損傷することがあるので、湿らせるときにはフィールドを擦ったりひっかいたりしないでください。

- ✓ 充電器が ON になっている。
  - ✓ アクセスデータが記載されたレターが手元にある。
1. レターでPINを確認します。このとき、セキュリティフィールドを湿らせてPINが見えるようにします。
  2. PINを入力します。

## 充電器での設定の開始

充電器は、インストールに関連する手順をガイドする設定ウィザードを使用して設定します。充電器を正しく使用するには、設定を完了する必要があります。

- ▶ 充電器の設定に関する詳細については、ポルシェ モバイルチャージャー コネクトの取扱説明書を参照してください。

## 概要

Web アプリケーションでは、充電器よりも詳細な設定オプションを利用できます。



図. 226: Web アプリケーションのダッシュボード

### A 現在の充電セッション

充電開始時刻や充電時間など、現在の充電プロセスに関する情報が表示されます。

### B デバイスのステータス

デバイスに関する以下のような情報を表示します。

- 現在の充電ステータス
- 使用されているネットワーク接続
- 電力マネージャーへの接続ステータス (利用可能な場合)
- ソフトウェアアップデートが利用可能かどうか
- 接地モニターの無効化

**C 現在の充電容量**

充電器から負荷までの現在の電気の流れ (kW)。

特性：曲線は、充電を開始してからの充電電力の推移と、電力消費量の合計 (kW) を示します。

曲線上の時間を選択すると、この時点での充電ポイントが表示されます。

**D 燃費/電費**

現在の充電プロセスの電力の合計消費量 (kWh)。

**E 充電ステータス**

ダッシュボードで使用されている色は、充電器の充電ステータスを示します。

- 赤色：エラーメッセージ
- 青色：充電一時停止
- 緑色：車両充電中
- 白色：充電器に車両が接続されていない

## 操作

### 取扱説明書

国によっては、電気自動車の充電ドックを接続する際に関係当局へ報告する必要があります。

- ▶ 充電ドックを接続する前に、使用に関する法律等の基準および関係当局への通知義務などをすべて確認してください。

#### 知識

充電器の損傷

- ▶ 充電時は必ず充電器を堅い表面に設置してください。
- ▶ 充電器はウォールマウントベースまたはボルシエ充電ドックで使用することを推奨します。一部の国 (スイス<sup>1</sup> など) では、充電器をウォールマウントベース内または充電ドック内でしか使用できない場合があります。
- ▶ 充電器を水に浸さないでください。
- ▶ 充電器に雪や氷が付着しないように保護してください。
- ▶ 充電器は慎重に取り扱い、車両が上に乗ったり、落下したり、引っ張られたり、曲げられたり、押しつぶされたりして損傷することがないようにしてください。
- ▶ 充電器ハウジングを分解しないでください。

#### 知識

充電器の損傷

充電器が使用できる温度範囲は -30 °C ~ +50 °C です。

- ▶ 作動時のオーバーヒートを防ぐため、長時間直射日光が当たらないように充電器を保護してください。充電器がオーバーヒートすると充電が自動的に中断され、通常温度に戻ると再開します。
- ▶ 充電器が熱すぎる、または冷たすぎる場合、冷水またはヘアドライヤーなどで強制的に冷却または加熱せず、そのままゆっくりと通常の作動温度域に戻してください。

1. 印刷時：詳細については、ボルシエ正規販売店にお問い合わせください。



## 充電

### 充電に関する指示

#### 車両充電ポート

車両ケーブルの車両充電ポートへの接続および切り離し、車両充電ポートの充電および接続状態に関するインフォメーション:

▶ 取扱説明書を参照してください。



**危険**

感電、火災

火災や感電により重傷または致命傷を負う危険があります。

- ▶ 充電手順に定められている順序を必ず遵守してください。
- ▶ 充電プロセス中は、車両充電ケーブルを車両充電ポートから外さないでください。
- ▶ 車両ケーブルを車両充電ポートから切り離す前に、充電プロセスを終了してください。
- ▶ 充電プロセス中は、充電器を電気ソケットから切り離さないでください。

エラーはディスプレイに表示され、赤いステータス LED によって示されます。エラーメッセージ、原因、および修正方法が表示されます。

- ▶ 478 ページの「作動不良」の章を参照してください。

#### 充電時間

充電時間は、以下の要因に応じて変化します。

- 使用した電気ソケット (家庭用コンセントまたは工業用電気ソケット)
- 国別の電源電圧および電流
- 充電器の充電電流制限の設定
- 電源電圧の変動

- 車両および充電器周囲の温度 温度が許容周囲温度の限界では、充電時間が長くなる場合があります。
- ▶ 468 ページの「接地モニターの ON/OFF」の章を参照してください。
- 高電圧バッテリーおよびコントロールユニットの温度
- 車内ブレーキリング / ヒーティングの作動
- 電源プラグと車両プラグの通電容量

#### インフォメーション

主電源供給システムは国によって異なるため、さまざまなバージョンの充電ケーブルが提供されています。そのため、最大の充電電力を発揮できない場合もあります。詳細については、ボルシェ正規販売店にお問い合わせください。

### 充電の開始、一時停止、終了

#### 充電の開始

1. 電気ソケットにプラグを挿入してください。
  - ◎ 電源ボタンが白く点灯します。
  - ステータス LED が白く点灯します。
  - ▶ ディスプレイが ON になります。
2. 車両充電ポートに車両プラグを挿入してください。
  - ◎ 電源ボタンが白く点灯します。
  - ステータス LED が白く点滅します。
 車両充電ポートへの車両ケーブル接続に関する情報:
  - ▶ 取扱説明書を参照してください。
  - ▶ セルフテストが正常に実行され、接続が確立されると、ステータス LED が白く点灯します。

3. 充電が自動的にスタートします。
  - ◎ 電源ボタンが白く点灯します。
  - ステータス LED が緑色に点滅します。
4. 数分後、充電器はスタンバイモードに切り替わります。
  - ▶ 車両の充電がスタートします。

#### インフォメーション

- 充電は車両側で制御されます。充電は車両でのみ停止することができます。
- 充電器がスタンバイモードでない限り、充電状態はディスプレイに表示されます。電源ボタン ◎ を押すとディスプレイは再び ON になります。
- 過温度停止機能は充電中のオーバーヒートを防止します。

#### 充電の一時停止

充電は車両によって制御され、電力消費を最適化するためなどにより一時的に停止することがあります。

充電の一時停止はコントロールユニットに表示されません。

- ◎ 電源ボタンが白く点灯します。
- ステータス LED が青く点滅します。
- ディスプレイが ON になります。

車両は自動的に充電を開始します。充電は車両側で停止することができます。

#### 充電の停止

- ✓ 充電が正常に完了しました。
  - ◎ 電源ボタンが白く点灯します。
  - ステータス LED が緑色に点灯します。

ディスプレイがONになり、完了した充電プロセスの情報を表示します。数分後、充電器はスタンバイモードに切り替わります。

- ▶ 車両充電ポートから車両プラグを切り離します。

## 充電電流制限

コントロールユニットは電圧および利用可能な電流を自動的に検知します。充電に使用する充電電力は、充電電流制限を使用して設定できます。前回の充電電流の設定が保存されます。家庭用コンセントを使用する場合、電気装置のオーバーヒートを防ぐため、納品時に充電電流は自動的に50%に制限されています。

充電器が電力マネージャーに接続されている場合、充電電流は電力マネージャーでプリセットされている値に沿って制限されます。利用可能な最大充電電流は、電気ヒーターや温水器などのホームネットワーク内の他の電気製品によっても減少することがあります。充電電力を使用する電気回路の利用可能な最大電力より高く設定することは絶対にしないでください。これについてご不明な点がある場合は、有資格電気技術者にご相談ください。

## プラグ & 充電

Plug & Charge を使用すると、充電スタンドや充電器の充電プロセスを手動で初期化する必要がなく、私有地と公共エリアで適切な充電インフラを使用して車両を充電できます。充電プロセスは、充電プロバイダーとの契約に基づいて自動的に請求されます。

- ✓ 車両のインテリジェント充電機能が有効になっている。
- ✓ に適した充電インフラ。Plug & Charge
- ✓ 充電プロバイダーとの契約に、Plug & Charge が含まれている。

## Private Plug & Charge

Mobile Charger Connect でデバイス保護を起動する場合、PIN を入力することによってのみ、充電を開始できます ▶ 465 ページの「デバイス保護」の章を参照してください。これにより、外部アクセスから保護されます。

## 車両リスト (車両を登録)

PIN を入力した後、車両を車両リスト Mobile Charger Connect に入力する必要があるかどうかの質問が行われます。充電ケーブルを挿入した後、車両と Mobile Charger Connect のペアリングが一度行われると、承認され、充電プロセスが解除されます。そのため、この車両で他のすべての充電作業を実施する際に、PIN を入力する必要はありません。

## 車両リストにアクセス

車両は Mobile Charger Connect で登録できます。各車両は車両リストに個別にリストアップされます。

- ▶ **設定**  ▶ **車両リスト** を選択します。

車両はこのリストから削除できます。

## 接地モニターの ON/OFF




**危険**

感電、ショート、火災、爆発

有効な接地モニターなしで充電器を使用すると、感電、ショート、火災、爆発、または火傷の原因となる恐れがあります。



- ▶ 充電器は、アースされた主電源システムで動作させることをお勧めします。
- ▶ アースされていない電源供給システムに限り、接地モニターを無効にしてください。
- ▶ アースされた主電源システムでは、接地モニターを有効にしてください。
  - ▶ 469 ページの「接地モニターの作動」の章を参照してください。

## 接地モニターの停止

- ✓ 保護導線の不通または欠如を表示するエラーメッセージがディスプレイに表示されている。
  - ✓ 接地モニターによって充電プロセスが中断されたか、または開始が阻止されました。
    - ⊙ 電源ボタンが赤く点灯します。
    - ステータス LED が赤色に点灯します。エラーメッセージがディスプレイに表示されません。
1. 接地モニターを OFF にするには、**確認**でエラーメッセージを了承します。
  2. 電源ボタン  を 3 秒間長押しします。
  3. **確認**で接地モニターの停止を了承します。
    - ➡ アース監視は次の充電プロセスまで作動停止したままになります。

## 接地モニターの作動

アースされている電源供給システム内で充電器が使用される場合、接地モニターを ON にします。

1. 接地モニター メニューを開きます (設定  ▶ 接地モニター)。
2. 有効にするを選択して接地モニターを ON にします。  
接地モニターが有効になっていると、メニュー項目 **接地モニター** は **設定 ** メニューに表示されません。

## Web アプリケーションへのログイン

Web アプリケーションを標準で使用する場合は、ユーザーのタイプとしてホームユーザーを選択します。カスタマー サービス ユーザーには追加の設定オプションがあり、これはポルシェ正規販売店がサービスのために使用することを意図したものです。

✓ アクセスデータが手元にある。

1. ユーザー フィールドで適切なユーザーを選択します。
2. パスワードを入力します (アクセスデータが記載されたレターを参照してください)。

### インフォメーション

25 分間使用がない場合、ユーザーは Web アプリケーションから自動的にログアウトされます。

## Web アプリケーションを開く

追加の設定オプションおよび既存の充電プロセスに関する詳細情報は、各充電器専用の Web アプリケーションを使用して利用可能です。

### インフォメーション

- 使用しているブラウザによっては、Web アプリケーションがすぐに開かない場合があります。代わりに、ブラウザのセキュリティ設定に関する通知が最初に表示される場合があります。
- Web アプリケーションを開く際に、ネットワークキーの入力が必要な場合があります。これは、デバイスのオペレーティングシステムによって異なります。

## ホットスポット経由で Web アプリケーションを開く


Web アプリケーションは、デバイス (PC、タブレット、スマートフォンなど) を使用して充電器で設定したホットスポットから開くことができます。

ホットスポットを設定する方法：

- ▶ 464 ページの「ホットスポット」の章を参照してください。
- ▶ ホットスポットが有効な状態で Web アプリケーションを開くには、ブラウザのアドレス行に以下の IP アドレスを入力してください。192.168.0.1

## WiFi 経由で Web アプリケーションを開く

Web アプリケーションは、充電器と同じホーム ネットワークにログインしているデバイス (PC、タブレット、スマートフォンなど) のブラウザで開くことができます。

- ブラウザーのアドレスの行に充電器の現在の IP アドレスを入力してください。IP アドレスは、**設定  ▶ ネットワーク ▶ ネットワーク情報** から知ることができます。  
- または -  
ブラウザのアドレスの行に充電器のホスト名を入力してください。ホスト名はアクセス データを含むレターから確認できます。

▶ Web アプリケーションについての情報は、<https://www.porsche.com/international/aboutporsche/e-performance/help-and-contact/> にあるマニュアルを参照してください。

## Web アプリケーションの使用

### Web アプリケーションを開く

#### 充電器への接続の確立

設定時に充電器が既存のホーム ネットワーク (WiFi または Powerline Communication) に統合されている場合、割り当てられた IP アドレスを使用して Web アプリケーションにアクセスできます。

ネットワーク接続の確立に関する情報については、▶ 471 ページの「接続」の章を参照してください。を参照してください。

#### WiFi 経由で Web アプリケーションを開く

✓ デバイスと充電器が同じ WiFi ネットワーク内にあります。

1. ブラウザーを開きます。
2. ブラウザーのアドレスバーに、設定 (充電器の **設定** ▶ **ネットワーク** ▶ **ネットワーク情報**) で割り当てられた IP アドレス、または充電器のホスト名 (アクセスデータが記載されたレターで確認) を入力します。

#### 電力線伝送通信経由で Web アプリケーションを開く

✓ デバイスと充電器が PLC 接続経由で同じネットワーク上にある。

1. ブラウザーを開きます。
2. ブラウザーのアドレスバーに、設定 (充電器の **設定** ▶ **ネットワーク** ▶ **ネットワーク情報**) で割り当てられた IP アドレスを入力します。

#### ホットスポット経由で Web アプリケーションを開く

または、ホットスポット経由で接続を確立できます。充電器にはワイヤレス アクセスポイント (ホットスポット) があります。これはパスワードで保護されており、手動によるログインが必要です。WiFi 対応のデバイスであれば、ホットスポットに接続して充電器の

Web アプリケーションにアクセスすることができません。Web アプリケーションでは、いつでも充電器をホーム ネットワークに統合することができます。

- ✓ 充電器が ON になっている。充電器が自動的に WiFi ホットスポットを有効にします。
1. デバイスで、タスクバーまたは通知パネルのネットワークまたは WiFi アイコンを押します。
  2. 使用する WiFi ネットワークをリストから選択します。WiFi ネットワークの名称は、アクセスデータが記載されたレターにある SSID と同じで、**ICCPD-#####** と表示されます。
  3. 接続ボタンを押します。
  4. **セキュリティキー** フィールドに、セキュリティコードを入力します (アクセスデータが記載された通知書に **WiFi PSK** として記載されています)。
    - ➔ WiFi ネットワークへの接続が確立されます。
 

注：Windows 10 では、最初にルーターの PIN を入力するよう求められます。代わりに [ネットワークセキュリティコードを使用して接続] のリンクを選択し、それからコードを入力します。
  5. ブラウザーを開きます。
  6. ブラウザーのアドレスバーに次の IP アドレスを入力してください。 **192.168.0.1**。

### ① インフォメーション

デバイスがホーム ネットワーク内にある場合、Web アプリケーションにはホットスポット IP アドレス (192.168.0.1) からアクセスすることができず、自動的に割り当てられた IP アドレスまたは充電器のホスト名を介してのみアクセスすることができます。

- 既存の IP アドレス入力：
  - Web アプリケーション： **サービス** ▶ **デバイス情報**
  - 充電器： **設定** ▶ **ネットワーク** ▶ **ネットワーク情報**
- 既存のホスト名入力：
  - アクセスデータが記載されたレター
  - Web アプリケーション： **サービス** ▶ **デバイス情報**

#### Web アプリケーションへのリダイレクト

### ① インフォメーション

使用しているブラウザによっては、Web アプリケーションがすぐに開かない場合があります。代わりに、ブラウザのセキュリティ設定に関する通知が最初に表示される場合があります。

1. 表示されるブラウザの警告メッセージで、**詳細設定**を選択します。
2. 次のダイアログボックスで、**例外を追加**を選択します。
  - ➔ SSL 証明書が確認され、Web アプリケーションが開きます。

## 充電履歴

ここでは、充電器の充電プロセスが時間順に記載されます。毎回の充電プロセスに対して以下の情報が表示されます。

- 時間
- 充電時間
- 消費量
- コスト (電力マネージャーが接続されている場合)
- 使用中のアカウント (アクティブ充電中にアカウントが選択された場合)

Web アプリケーションでは、オプションにより充電履歴を Excel ファイルとしてエクスポートすることができます。

1. 充電履歴をエクスポートを選択します。
2. 希望する保存場所に移動し、ファイルを保存します。

### i インフォメーション

アクティブ充電の各プロセスでは、評価のために勤務先アカウントとプライベート アカウントを選択できるようになっています。アカウントの選択は、充電器の現在の充電プロセスに関する情報 (メニューバーの i マーク)で行うことができます。選択した内容は次回の充電プロセスにも適用されるため、必要に応じて変更してください。

## 接続

充電器の Web アプリケーション、その情報および設定にアクセスするには、デバイスと充電器が (WiFi または PLC 接続を介して) ホーム ネットワーク内になければなりません。Web アプリケーションのすべての機能は、ホーム ネットワークのインターネット接続を介して使用できます。

使用場所にホーム ネットワークがない場合、デバイス (PC、タブレットまたはスマートフォン) は WiFi ホットスポット経由で充電器に直接ログインできます。ただし、この場合はインターネット接続がないため、ローカルにインストールされている機能しか利用できません。

### i インフォメーション

デバイスがホーム ネットワーク内にある場合、Web アプリケーションにはホットスポット IP アドレス (192.168.0.1) からアクセスすることができず、自動的に割り当てられた IP アドレスまたは充電器のホスト名を介してのみアクセスすることができます。

- 既存の IP アドレス入力：
  - Web アプリケーション：サービス ▶ デバイス情報
  - 充電器：設定 ⚙ ▶ ネットワーク ▶ ネットワーク情報
- 既存のホスト名入力：
  - アクセス データが記載されたレター
  - Web アプリケーション：サービス ▶ デバイス情報

### i インフォメーション

設定プロセス中にホットスポット モードから WiFi ネットワーク接続に変更した場合、またはその逆を行った場合は、再度ログインする必要があります。

ホットスポット接続が有効な間は、再起動せずに Powerline Communication を使用してホーム ネットワークに変更することができます。

### i インフォメーション

Web アプリケーションを使用する場合、ホーム ネットワークへの接続が可能な場合以外はホットスポット接続を無効にしないでください。

- ▶ 使用するネットワーク接続 (ホットスポット、WiFi、電力線搬送通信) を選択します。

## ホットスポット

デバイスは、それが統合された WiFi ホットスポットを介して充電器に直接接続することができます。

1. ホットスポットを設定を選択します。
  2. 設定でホットスポットのネットワーク名とセキュリティコードを入力します。
- ▶ ホットスポット接続の確立に関する情報については、▶ 470 ページの「Web アプリケーションを開く」の章を参照してください。を参照してください。

## WiFi

### i インフォメーション

充電器が既にホットスポット経由でデバイスに接続されている場合は、WiFi ネットワークへの接続を同時に確立することができません。まずホットスポットを解除する必要があります。

1. WiFi を有効にします。
2. ネットワークに接続オプションを選択します。
3. リストからネットワークを選択し、セキュリティキーを入力します。別のネットワーク：リストにないネットワークを使用している場合は、これを選択します。
4. IP アドレスの自動割り当て (推奨) を使用するかどうかを選択します。
  - ➡ ネットワークへの接続が確立されると、IP アドレスが表示されます。リスト上のネットワークの横に接続済みのステータスが表示されます。



## WiFi ネットワークの管理

オプション	説明
別のネットワーク	▶ ネットワークがリストにない場合は、これを選択します。
既知のネットワークを管理	▶ 削除を選択して、保存したネットワークを削除します。これにより、充電器が正しいネットワークに入ります。

## ネットワークからの切断

1. 現在接続されているネットワークを選択します。
2. **切断**を選択して、WiFi ネットワークから切断します。

## ネットワーク接続の設定

1. 現在接続されているネットワークを選択します。
2. **設定**を選択して、IPv4 アドレスと DNS サーバーの設定を変更します。

 インフォメーション

ネットワーク接続には 2.4 GHz の周波数帯が使用されます。接続に問題がある場合は、ネットワークルーターの 5 GHz 帯を無効にしてください。

## 電力線搬送通信

WiFi の代わりに、PLC 接続で充電器をホーム ネットワークに接続することができます。そのためには、データ転送のために既存の主電源を使用して無線通信を設定する必要があります。充電器は PLC ネットワークでクライアントとして登録されています。

接続を確立するために、充電器と PLC モデムはペアリング ボタンを使用して相互接続することができます。この場合、充電器は自動的に PLC モデムとペアリングされます。もう 1 つの接続方法は、PLC モデムに充電器のセキュリティ コードを入力する方法です。

1. **電力線搬送通信 (PLC)** を有効にします。
2. PLC ネットワークに充電器を追加します。
  - オプション 1：ペアリング ボタンを使用：
    - a. Web アプリケーションで **PLC Push メソッド**で接続を選択します。
    - b. **ペアリングを開始**を選択します。
    - c. 接続を確立するには、2分以内に PLC モデムのペアリング ボタンを押します。
    - d. **接続**ボタンを選択してペアリングを確定します。
  - オプション 2：PLC セキュリティ コードを入力：
    - a. **PLC セキュリティキー**で接続を確立オプションを選択します。セキュリティ コードが表示されます。
    - b. PLC モデムの設定でセキュリティ コードを入力します。
 ▶ 充電器が PLC ネットワークに統合され、接続が確立されます。

## 車両への PLC 接続

この機能を表示および設定できるのは、**カスタマー サービス ユーザー**のみです。PLC 接続が無効になった場合、データはケーブル経由では車両に転送されなくなります。

このモードは、特定の測定中などには必要になります。データ転送が有効な場合、充電には充電プロトコル (上位通信) が標準で使用されます。

データ転送が無効な場合、充電は電氣的パラメーター (パルス幅変調) に基づいて行われます。

## 電力マネージャーの追加

電力マネージャーで充電コントロールを行う場合、まず充電器 (EESBus デバイス) と電力マネージャーを相互に接続する必要があります。接続の確立は、電力マネージャーの Web アプリケーションと充電器の Web アプリケーションの両方で行うことができます (または充電器上で直接行うこともできます)。

## 充電器への電力マネージャーの接続の確立

▶ 充電器への接続の確立方法は、ボルシェ ホーム電力マネージャーの Web アプリケーションの「EESBus デバイスの追加」の章に記載されています。

## 電力マネージャーへの充電器の接続の確立

- ✓ 充電器と電力マネージャーが同じネットワーク上にある。
1. 充電器の Web アプリケーションで、**接続 ▶ 電力マネージャー**に移動します。
    - ▶ 電力マネージャーは **利用可能な電力マネージャー** リストに表示されます。
  2. 電力マネージャーを選択し、展開します。
  3. **ペアデバイス**を選択します。
    - ▶ データ接続が確認されます。
  4. **接続を確立**のダイアログボックスで、ID 番号 (SKI) を使用して電力マネージャーの確認番号をもう一度確認し、**接続**を選択します。
    - ▶ 電力マネージャーが正常に接続され、**電力マネージャー接続済み**のステータスが表示されます。

電力マネージャーの設定 [充電電流、過負荷保護、最適化充電、料金設定の情報など] は充電器によって適用されます。

### 電力マネージャーからの切断：

- 充電器の Web アプリケーションで、**接続 ▶ 電力マネージャー**に移動します。
  - ➡ 接続済みの電力マネージャーが、**電力マネージャー-接続済み**のステータスで表示されます。
- 切断を選択します。
  - ➡ 充電器が電力マネージャーから切断されます。

### ユーザー プロフィールのペアリング

#### インフォメーション

Porsche ID アカウントにデータを転送するには、デバイスがインターネットに接続されている必要があります。

Porsche ID アカウントでは、充電プロセスに関する情報を取得することもできます。そのためには、充電器が Porsche ID とペアリングされている必要があります。

- ユーザーアカウントをリンクする**ボタンを選択します。
  - ➡ **ユーザーアカウントをリンクする**のダイアログが開きます。
- インターネット接続があるかどうかに応じて、以下のオプションを選択します [「インターネット接続オプション」を参照]。
- Porsche ID アカウント ウェブサイトで、ログインデータ (Porsche ID、パスワード) を入力します。

### インターネット接続オプション

オプション	説明
<b>My Porsche に移動</b>	<ul style="list-style-type: none"> <li>✓ Web アプリケーションがインターネットに接続されている。</li> <li>▶ Porsche ID アカウントに直接リダイレクトされます。</li> </ul>
<b>その他のオプション</b>	<ul style="list-style-type: none"> <li>✓ Web アプリケーションがインターネットに接続されていない。</li> <li>▶ モバイル デバイスがインターネットに接続されている場合、表示された QR コードをスキャンするか、表示された URL をブラウザに手動で入力します。</li> </ul>

### 設定

#### システム

#### デモ モード

この設定を表示できるのは、カスタマー サービス ユーザーのみです。デモ モードでは、充電器の機能を簡易的に表示し、充電プロセスをシミュレートすることができます。デモ モードで行った設定は適用されません。

✓ **カスタマー サービス ユーザー**としてログインしている。

▶ 機能を有効にします。

次回 Web アプリケーションにログインするとき、デモモードはもう一度無効になります。

### パスワードの変更

Web アプリケーションのログイン パスワードを変更できます。新しいパスワードを入力すると、アクセス データが記載されたレターで入手した初期パスワードは上書きされます。

▶ **変更**を選択し、新しいパスワードを入力します。

### デバイス保護の有効化

充電器は PIN 入力によって保護され、第三者が不正に車両を充電器に接続することを防ぎます。

- 機能を有効にします。
- 4 桁の PIN を入力し、確定します。
- 再度 PIN を入力し、確定します。
  - ➡ PIN 入力の有効化が確定されます。
 この PIN を入力して充電器のロックを解除します。

### ゲスト PIN の有効化

さらに、別のユーザーのためにゲスト PIN を作成することができます。

▶ 手順は、デバイスを保護するために PIN を割り当てた場合と同様です。

#### インフォメーション

ゲスト ユーザーは充電器の設定ができません。

### 電力消費量の制御

節電するにはスタンバイ モードを有効にします。スタンバイ モードは充電が終わるとすぐに開始します。

▶ **スタンバイモード**を有効にします。

デバイスがスタンバイ モードを終了して使用可能状態に復帰する際は、少しの時間を要します。

**i** インフォメーション

充電器は、長時間使用しないと自動的にスタンバイモードに切り替わります。まず、ディスプレイの明るさが暗くなり、その後ディスプレイがOFFになります。もう一度起動させるには、電源ボタンを押します。

言語と国を入力

フィールド	説明
言語	Web アプリケーションの言語を選択します。
国	使用する国。構成設定は国によって異なります。実際に使用する場所とは異なる国を入力すると、一部の設定を利用できない場合があります。

日付と時刻を入力

フィールド	説明
日付と時刻	ネットワーク接続がある場合、日付と時刻は自動的に適用されます。 <b>タイムゾーン</b> ：手動で選択できます。 <b>時刻の設定</b> ：ネットワーク時間が参照できない場合は、時刻を入力します。

単位

充電器に使用するパラメーターと単位を選択します。

デバイスディスプレイ

この設定で充電器のディスプレイの明るさを指定します。

充電

主電源ステータス

この設定を表示できるのは、**カスタマー サービス ユーザー**のみです。ここに表示される主電源ステータスに関する情報は、充電器により自動的に検出されます。

表示	説明
主電源フェーズ	電源供給ケーブルのフェーズの数。
ケーブルタイプ	車両充電ケーブルの種類。ケーブルタイプは最大充電電流を設定するための重要な情報となります。

制限された操作

この図は、過熱により制限されている充電電力センサーがどれかを示します。

- 0：マイクロコントローラーの過温度
- 1：リレーの過温度
- 2：内部の過温度

表示	説明
	- 3：インフラケーブルセンサー1の過温度
	- 4：インフラケーブルセンサー2の過温度

接地モニター

**危険**

感電、ショート、火災、爆発

有効な接地モニターなしで充電器を使用すると、感電、ショート、火災、爆発、または火傷の原因となる恐れがあります。

- ▶ 充電器は、アースされた主電源システムで動作させることをお勧めします。
- ▶ アースされていない電源供給システムに限り、接地モニターを無効にしてください。
- ▶ アースされた主電源システムでは、接地モニターを有効にしてください。

接地モニターを有効または無効にするには、▶ 468 ページの「接地モニターの ON/OFF」の章を参照してください。

充電電流の調整

車両への充電電流が高すぎると、ヒューズがトリップし、そのヒューズが保護する領域の停電につながる可能性があります。

電力マネージャーが充電器に接続されている場合、過負荷保護は充電器への充電電流を監視します。ホームネットワークで電力マネージャーが利用できない場合、充電器の最大電流を定義する必要があります。

充電電流は、電気設備が対応できる最大充電電流を超えた値を入力してはなりません。



最大充電電流を決定する際は、以下の点に注意してください。

- 充電器に接続されたケーブルのタイプ
- このケーブルまたはヒューズに接続された他の電装品

各国の電源供給ケーブルやその使用方法に関する情報 461 ページの「電源供給ケーブルの選択」の章を参照してください。

### **i** インフォメーション

電気回路の許容最大電力より高い充電電力を設定することは絶対にしないでください。

これについてご不明な点がある場合は、有資格電気技術者にご相談ください。

### **i** インフォメーション

電力マネージャーが接続されている場合、その設定によりユーザーが入力した値が上書きされます。

- ✓ 車両ケーブルが充電器に接続されている。
- ▶ Web アプリケーションで、コントローラーを使用して最小充電電流および最大充電電流を設定します。

## サービス

### デバイス情報を表示

この情報は、バージョン番号、シリアル番号、ホスト名などの充電器データに基づいています。

ポルシェ正規販売店は、エラーメッセージが表示された場合にこの情報を必要とします。

### 合計走行時間情報を表示

表示	説明
電力消費量の合計	過去のすべての充電プロセスに関するこの充電器の電力消費量の合計を表示します。
充電時間の合計	過去のすべての充電プロセスに関するこの充電器の充電時間の合計を表示します。

### イベントメモリの表示

この設定を表示できるのは、**カスタマーサービス** ユーザーのみです。ここに表示されるイベントメモリ情報は、システムテスト中に発生したエラーメッセージに関するものです。アクティブおよび停止中のイベントメモリが表示されます。アクティブなイベントやエラーは停止中のイベントと異なり、現在もまだ表示されています。

- ▶ 適切なログを選択して、エラーメッセージとシステムテストの結果を表示します。

### ソフトウェアアップデートのインストール

充電器は標準のソフトウェアアップデートを検索してダウンロードします。この設定では、ソフトウェアアップデートを自動でインストールするか、手動でインストールするかを指定します。**ソフトウェアバージョン**：現在インストールされているソフトウェアバージョンを表示します。

### **i** インフォメーション

ソフトウェアアップデートを検索してダウンロードするには、充電器がインターネットに接続されている必要があります。

### 自動アップデート

この機能を有効にすると、充電器は自動的にソフトウェアアップデートをインストールします。

- ▶ **自動ソフトウェアアップデート**を選択します。

### 手動アップデート

新しいソフトウェアバージョンが利用可能になると、ダッシュボードのデバイスステータスに通知が表示されます。

- ✓ **自動ソフトウェアアップデート**が無効になっている。
- ▶ **ソフトウェアアップデートを実行**を選択してインストールを開始します。

### 設定を保存

設定内容や以前に入力したデータは、バックアップを使用して保存することができます。このバックアップを使用すると、必要に応じてこれらの設定を復元することができます [工場設定にリセットした後など]。バックアップは Web アプリケーションで手動で作成されます。

パスワードや充電履歴などの個人データはバックアップに保存されません。

### バックアップの作成

手動バックアップでは、データがデバイスに保存されます。

- ✓ デバイスと充電器が同じネットワーク内にある。

1. **エクスポート**を選択します。
2. 保存場所に移動します。

3. バックアップ ファイルを保存します。

パスワードを割り当てる：パスワードを入力します。

パスワードはデータを保護するもので、バックアップをインポートまたは復元する際に入力する必要があります。

**バックアップの復元**

保存したバックアップ ファイルをデバイスから充電器にインポートすることができます。

✓ デバイスと充電器が同じネットワーク内にある。

1. インポート ボタンを選択します。
2. バックアップファイルに移動し、選択します。
3. バックアップファイルの保存に使用したパスワードを入力します。

**工場設定に戻す**

この機能を作動させると、充電履歴やネットワーク設定など、すべての個人データと設定が削除されます。さらに、アクセス データが記載されたレターで示された初期パスワードにすべてのパスワードがリセットされます。

▶ 工場出荷時設定にリセットを有効にします。

バックアップを作成するには、475 ページの「サービス」の章を参照してください。

**i インフォメーション**

設定を工場出荷時の状態にリセットした場合、次回起動時には設定ウィザードが最も重要な充電器の設定をサボートします。

**充電ドック**

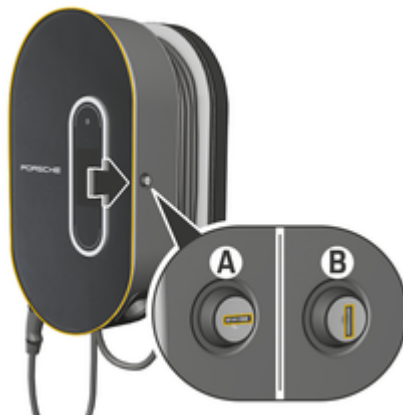


図. 227: ポルシェ充電ドック

**ポルシェ充電ドックを開く**

- ▶ ポルシェ充電ドックのドアを矢印の方向に押ししてください。ドアが自動的に開きます。

**ポルシェ充電ドックを閉じる**

- ▶ ポルシェ充電ドックのドアを矢印の方向に閉じてください。

**ポルシェ充電ドックをロックする**

- ▶ ロックを **A** (図. 227) の位置に回してください。

**ポルシェ充電ドックをロック解除する**

- ▶ ロックを **B** (図. 227) の位置に回してください。

**コントロールユニットのポルシェ充電ドックへの取り付けおよびポルシェ充電ドックからの取り外し**

**知識**

**充電器の損傷**

- ▶ 必ずドアを閉じたままにしてください。
- ▶ ドアやポルシェ充電ドックに物を置かないでください。

**コントロールユニットをポルシェ充電ドックに取り付ける**

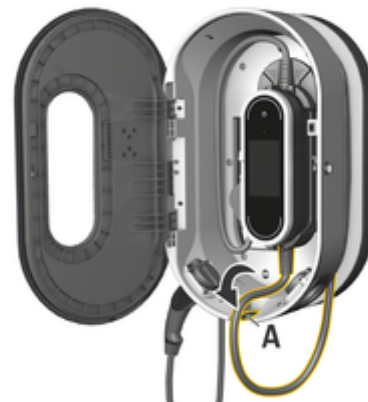


図. 228: コントロールユニットの取り付け

1. ポルシェ充電ドックのドアを開いてください。
2. ポルシェ充電ドックのロック タブの下にコントロールユニットをセットし、後方からはめ込んでください。

3. 車両ケーブルを開口部 A (図. 228) に通し、余分なケーブルをポルシェ充電ドックの周囲に巻いてください。
4. 電源供給ケーブルを電気ソケットへ挿入してください。
5. ポルシェ充電ドックのドアを閉じてください。

### コントロールユニットをポルシェ充電ドックから取り外す

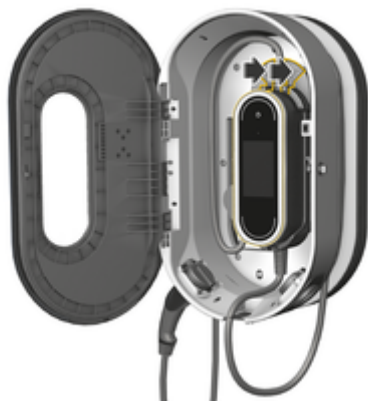
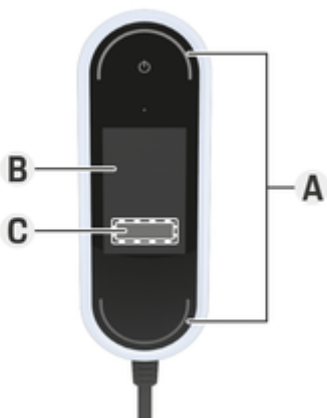


図. 229: コントロールユニットの取り付け

1. ポルシェ充電ドックのドアを開いてください。
2. 電源供給ケーブルを電気ソケットから外してください。
3. 巻きつけられている車両ケーブルをポルシェ充電ドックから完全に取り外してください。
4. リリーススイッチ (矢印) を押してコントロールユニットをマウントから取り外してください。

## 作動不良



- A ステータス LED が赤色に点灯
- B エラーのメッセージと原因
- C 処置

故障または作動不良が発生すると、充電器は当該メッセージをディスプレイに表示します。ステータス LED および電源ボタンが赤く点灯します。メッセージは、エラーの詳細、および原因と修正方法に関する情報を表示します。

- ▶ 修正方法に指示されている手順に従ってください。

### 知識

充電器の損傷

- ▶ 故障が解消しない、または再発する場合、充電器を電源供給から切り離し、有資格電気技術者にご相談ください。ボルシェ正規販売店にご用命ください。

以下の概要には、車両の充電を制限または阻害する故障に対応する際のアドバイ스가含まれています。

図. 230: 作動不良の表示

状況	推奨されるアクション
ディスプレイ (画面、ステータス LED、電源ボタン) の動作が完全に停止しました。	<ul style="list-style-type: none"> <li>▶ 充電器を電源供給から切り離し、交換します。</li> <li>▶ 家庭用電気装置を有資格電気技術者に点検してもらいます。</li> </ul>
ディスプレイには表示がなく、ステータス LED の色には変化がなく、電源ボタンが赤く点灯します。	<ul style="list-style-type: none"> <li>▶ 充電器がオーバーヒートしています。充電器を主電源から切り離し、自然にゆっくりと冷却させます。</li> <li>▶ エラーが解消しない場合、充電器を交換します。</li> </ul>
使用制限、または充電不可能 (ディスプレイにメッセージが表示される)。	<ul style="list-style-type: none"> <li>▶ 電源ケーブルおよび車両ケーブルがコントロールユニットの正しい側に接続されているか、また接続部に正しく挿入されているか確認します。</li> <li>▶ 充電器が許容温度範囲内にあるか確認します。                             <ul style="list-style-type: none"> <li>▶ 483 ページの「テクニカルデータ」の章を参照してください。</li> </ul> </li> <li>▶ 表示されるエラーメッセージを確認します。</li> <li>▶ 充電器を再起動します。再起動するには電源ボタンを 10 秒以上押します。</li> </ul>

状況	推奨されるアクション
充電電流が低すぎます (ディスプレイにメッセージが表示される)。	<ul style="list-style-type: none"> <li>▶ ホームネットワークがオーバーロードしています。他の高負荷電気製品のスイッチを OFF にします。</li> </ul>
電源電圧が高すぎます (ディスプレイにメッセージが表示される)。	<ul style="list-style-type: none"> <li>▶ 家庭用電気装置を有資格電気技術者に点検してもらいます。</li> </ul>
充電器が許容温度範囲にありません (ディスプレイにメッセージが表示される)。	<ul style="list-style-type: none"> <li>▶ 機器温度スイッチ OFF：直射日光を避け、充電器が自然にゆっくりと冷却されるようにしてください。</li> <li>▶ 低温スイッチ OFF：使用前に、暖かな環境下で充電器を温めます。</li> <li>▶ 機器温度センサーの故障：充電器を交換してください。</li> </ul>
家庭用装置の取り付けにおける回路遮断器が作動しました (ディスプレイにメッセージが表示される)。	<ul style="list-style-type: none"> <li>▶ 充電器の設定で充電電流を下げます。</li> <li>▶ 表示されるエラーメッセージを確認します。</li> </ul>
充電の中断が表示されます。 <ul style="list-style-type: none"> <li>▶ ④電源ボタンが白色に点灯</li> <li>▶ ⑤ステータス LED が青く点滅します。</li> <li>▶ ディスプレイが ON になります。</li> </ul>	<ul style="list-style-type: none"> <li>▶ 車両が自動的に充電を再開するまで待ちます。</li> <li>▶ 充電は車両側で停止することができます。</li> </ul>

## 輸送

### ▲ 警告

固定されていない積荷

充電器が固定されていないか不適切に固定されている、または間違った位置に固定されている場合、制動時、加速時、方向転換時、または事故発生時に所定の場所から外れて、乗員に危険が及ぶ可能性があります。

- ▶ 充電器を固定していない状態で走行しないでください。
- ▶ 充電器は常にラゲッジコンパートメントに積載してください。乗員スペース（シート前方やシートの上など）には置かないでください。

### 輸送時の充電器の固定

充電器は、車両タイプに応じて、運搬ケース付きまたはなしで供給されます。

- ▶ 運搬ケースが付属している場合：充電器は必ずケースの中に収納して運搬してください。運搬ケースをフックでフロントおよびリヤのタイダウンリングに取り付けます。  
ラゲッジコンパートメントのタイダウンリングに関するインフォメーション：  
▷ 取扱説明書を参照してください。
- ▶ 運搬ケースが付属していない場合：充電器は、リヤラゲッジコンパートメント内に収納して運搬してください。
- ▶ 車両タイプに応じて、危険な状況下で乗員に危害が及ばない方法で充電器を収納してください。

## 清掃とメンテナンス

充電器の損傷や汚れを定期的に点検し、必要であれば清掃します。



危険

感電、火災

火災や感電により重傷または致命傷を負う危険があります。

- ▶ 充電器またはプラグを水に浸したり、直接水をかけたりしないでください(高压洗浄機や庭の水撒き用ホースなど)。
- ▶ 充電器を清掃するときは、必ず主電源および車両からコントロールユニットの接続を完全に外してから行ってください。清掃には乾いた布を使用してください。

### 廃棄

電気 / 電子デバイスは、廃棄場または廃棄物処分施設で廃棄する必要があります。

- ▶ 電気 / 電子デバイスを家庭ごみと一緒に廃棄することはしないでください。
- ▶ 電気 / 電子デバイスは該当する環境保護法規を遵守して処分してください。
- ▶ 廃棄に関する質問については、ポルシェ正規販売店にお問い合わせください。



## テクニカルデータ

エレクトリカルデータ 9Y0.971.675...	BM MCC96J1 A <sup>1)</sup>
出力	9.6kW
定格電流	40A
主電源電圧	200V
位相	1
主電源周波数	50Hz/60Hz
過電圧カテゴリー (IEC 60664)	II
内蔵ブレーカー	Type A (AC : 30 mA) + DC : 6 mA
保護クラス	I
保護レーティング	IP55 (USA : 筐体 3R)
伝送周波数帯域	2.4GHz、5GHz
送信電力	20dBm

## テクニカルデータ

機械的なデータ 9Y0.971.675...	BM MCC96J1 A <sup>1)</sup>
コントロールユニットの重量	2.54kg
車両ケーブルの長さ	2.5m または 7.5m
電源供給ケーブルの長さ	0.9m

<sup>1)</sup> A は今後予定されているデザインの変更を示し、任意の文字にします。

ウォール マウント ベースのメカニカル データ 9Y0.971.675...	BM MCC96J1 A <sup>1)</sup>
ウォール マウント ベースの寸法	385mm x 135mm x 65mm (長さ x 幅 x 高さ)
ウォール マウント ベースの重量	約 0.45kg
ケーブル ガイドの寸法	127mm x 115mm x 139mm (長さ x 幅 x 高さ)
ケーブル ガイドの重量	約 0.42kg
コネクタ ファスナーの寸法	136mm x 50mm x 173mm (長さ x 幅 x 高さ)
コネクタ ファスナーの重量	約 0.14kg
ウォール マウント ベース一式の重量	約 1kg

ポルシェ充電ドックのメカニカルデータ 9Y0.971.675...	BM MCC96J1 A <sup>1)</sup>
ポルシェ充電ドックの寸法	373 mm x 642 mm x 232 mm (幅 x 高さ x 奥行)
充電ドックの重量	約 9.7kg
周囲および保管条件 9Y0.971.675...	BM MCC96J1 A <sup>1)</sup>
周囲温度	-30°C~+50°C
湿度	5% - 95% で結露のないこと
標高	最大海拔 5,000m

<sup>1)</sup> A は今後予定されているデザインの変更を示し、任意の文字にします。

## 製品情報

### 製造年月日

充電器の製造年月日は、ビークルプレート上の「EOL i.O.」の後に記載されています。

表示順序：製造日、製造月、製造年

### 充電器メーカー

eSystems MTG GmbH  
Bahnhofstraße 100  
73240 Wendlingen  
ドイツ

## 電気テスト

充電インフラ (VDE 0702 など) の定期的な電気テストに関してご質問がある場合は、<https://www.porsche.com/international/accessoriesandservice/porscheservice/vehicleinformation/documents/>を参照するか、ポルシェ正規販売店にお問い合わせください。

## EU 適合宣言書

充電器にはラジオ システムが備わっています。

これらのラジオ システムのメーカーは、これらのラジオ システムが、指令 2014/53/EU に従った使用方法に適合していると宣言しています。

EU 適合宣言の全文は、以下のウェブアドレスから入手できます。

▷ <http://www.porsche.com/international/accessoriesandservice/porscheservice/vehicleinformation/documents>

## 索引

## 番号と記号

- 安全に関する指示..... 450
  - 起動..... 463
  - 警告事項の構成..... 447
  - 現在の充電プロセス..... 465
  - 言語および国..... 463
  - 作動不良..... 478
  - 車両充電ケーブル
    - ケーブルおよびコネクタ タイプ..... 461
  - 車両充電ポート..... 467
  - 取扱説明書..... 466
  - 取扱説明書で使用されているシンボル..... 447
  - 取扱説明書へ
    - データ プライバシーに関する情報..... 449
    - 詳細情報..... 449
  - 周囲および保管条件..... 483
  - 充電
    - 一時停止..... 467
    - 開始..... 467
    - 終了..... 467
  - 充電ケーブル
    - ケーブルおよびコネクタ タイプ..... 461
  - 充電ステータス..... 465
  - 充電ドックの取り付け
    - スペーサーなしの取り付け..... 460
    - スペーサー付きの取り付け..... 459
  - 充電プロセス
    - 確認..... 471
    - 電力消費量..... 471
  - 充電プロセス中の電力消費量..... 465
  - 充電器
    - イラスト..... 449
    - デバイス ステータス..... 465
    - 充電ステータス..... 465
    - 充電電力..... 465
    - 初期パスワード..... 452
    - 接続..... 470
  - 充電器のアイテム番号..... 483
  - 充電器のシリアルナンバー..... 453
  - 充電器の売却..... 453
  - 充電器へのログイン..... 465
  - 充電時間..... 467
  - 充電電流の調整..... 464
  - 充電電流制限..... 468
  - 充電電力
    - 確認..... 465
  - 充電履歴のエクスポート..... 471
  - 詳細情報..... 449
  - 制御オプション..... 456
  - 正しい使用..... 451
  - 清掃..... 481
  - 製造年月日..... 485
  - 製品情報..... 485
  - 接続
    - PLC セキュリティ コード..... 463
    - PLC ペアリング ボタン..... 463
    - WiFi..... 463
    - ホットスポット..... 464
    - 電力マネージャー..... 464
  - 接地モニター
    - 作動..... 469
    - 停止..... 468
  - 設置場所の選択..... 457
  - 設定アシスタント..... 465
  - 電気系統の固定接続..... 483
  - 電源供給ケーブル..... 461
    - 工業用電気ソケット..... 462
  - 電源供給ケーブルおよび車両ケーブルの交換..... 462
  - 電力マネージャー..... 464
    - ペアリング..... 472
    - 充電電流の調整..... 464
    - 追加..... 472
  - 電力消費量の合計
    - 現在の充電プロセス..... 465
  - 廃棄..... 482
  - 必要なツール..... 458
- 表示
    - ステータス バー..... 454, 455
    - メニューバー..... 455
    - 移動..... 456
    - 言語および国..... 463
  - 付属品..... 452
  - 輸送、充電器の固定..... 480
  - 輸送のための固定..... 480
- ## D
- DNS サーバーの設定..... 471
- ## E
- EU 適合宣言書..... 485
- ## I
- IP アドレス..... 471
  - IPv4 アドレスの設定..... 471
- ## P
- PIN および PUK
    - パスワードを変更..... 453
    - 紛失..... 453
  - PIN 入力の設定..... 465
  - Porsche ID..... 453
  - Porsche ID のペアリング..... 464
- ## W
- Web アプリケーション
    - WiFi..... 469
    - ホットスポット..... 469
    - 開く..... 469
  - WiFi ネットワーク
    - 管理..... 471
    - 切り離し..... 471
    - 接続..... 471
    - 不明なネットワーク..... 471

## ア

アカウントの入力.....	473
アクセスデータ.....	452
ウェブアプリケーション.....	453
充電器のシリアルナンバー.....	453
アクセスデータの紛失.....	452

## イ

イラスト.....	449
-----------	-----

## ウ

ウェブアプリケーション	
パスワードの変更.....	453
パスワード紛失.....	453
起動.....	465
初期パスワード.....	453
ウォールマウントベースの取り付け.....	458

## ク

グラウンド.....	451
------------	-----

## ケ

ケーブル	
固定.....	463
切り離し.....	462

## コ

コネクタ ファスナーの取り付け.....	458
コントロールユニット.....	454
ウォールマウントへの取り付け.....	459
コネクタの概要図.....	454
表示.....	454
コントロールユニットをボルシェ充電ドックから取り外す.....	476
コントロールユニットをボルシェ充電ドックに取り付ける.....	476

## ソ

ソフトウェアアップデート.....	463
-------------------	-----

## ツ

ツール.....	458
----------	-----

## テ

データ プライバシーに関する情報.....	449
データ通信.....	463
テクニカルデータ	
ウォールマウントベースのメカニカルデータ.....	483
メカニカルデータ.....	483
充電ドックのメカニカルデータ.....	483
電気データ.....	483
デバイス保護.....	465

## ネ

ネットワークの選択.....	463
ネットワーク接続の確立	
WiFi.....	471
ホットスポット.....	471
電力線搬送通信 (PLC).....	472

## ホ

ホームネットワーク.....	463
IPアドレス.....	471
ホスト名.....	471
ホスト名.....	471
ホットスポット.....	464
設定.....	471
ボルシェ充電ドック.....	476
ロック.....	476
ロック解除.....	476
開く.....	476
閉じる.....	476

## メ

メーカー.....	485
メンテナンス.....	481

## ユ

ユーザー プロフィールのペアリング.....	464, 473
------------------------	----------

## 사용 설명서 정보

### 경고 및 기호

사용 설명서에는 여러 가지 경고 및 기호가 나옵니다.



**위험**

심각한 부상 또는 사망 위험

"위험" 범주에 해당하는 경고를 준수하지 않을 경우 심각한 부상을 당하거나 사망할 수 있습니다.



**경고**

심각한 부상 또는 사망 가능성

"경고" 범주에 해당하는 경고를 준수하지 않을 경우 심각한 부상을 당하거나 사망할 수 있습니다.



**주의**

가벼운 부상 가능성

"주의" 범주에 해당하는 경고를 준수하지 않을 경우 가벼운 부상을 당할 수 있습니다.

**알림**

차량 손상 가능성

"알림" 범주에 해당하는 경고를 준수하지 않을 경우 차량이 손상될 수 있습니다.



**정보**

추가 정보는 "정보"라는 단어를 사용하여 표시됩니다.

✓ 기능을 사용하기 위해 충족되어야 하는 조건입니다.

▶ 지켜야만 하는 지침입니다.

1. 지침이 여러 단계로 구성된 경우 번호가 매겨집니다.

2. 센터 표시창에서 반드시 준수해야 하는 지침.

▶ 해당 항목과 관련된 중요한 추가 정보를 찾을 수 있는 위치에 대한 알림입니다.

**Deutsch**

**사용 설명서**

그림 설명..... 490  
 데이터 보호 공지..... 490  
 자세한 정보..... 490

**보안**

안전 지침..... 491  
 올바른 사용..... 492

**공급 범위**

액세스 데이터..... 493

**개요**

컨트롤 유닛의 연결..... 494  
 충전기 컨트롤 유닛..... 494  
 디스플레이 패널 표시 및 조정..... 495

**설치 위치 선택..... 497**

**필요한 공구..... 498**

**장착**

벽걸이 장착..... 498  
 스페이서를 이용하지 않는 설치..... 499  
 스페이서를 이용한 설치..... 500

**설정**

차량 충전 케이블 및 공급 케이블..... 501  
 초기 작동 및 구성..... 503  
 웹 앱에서 시작..... 504  
 충전기에 로그인..... 505  
 충전기에서 설정 시작..... 505  
 개요..... 505

**작동**

작동 지침..... 506  
 충전..... 506  
 웹 앱에 로그인..... 508  
 웹 앱 사용..... 508  
 충전 장비..... 514

**오작동..... 516**

**운송..... 518**

**세척 및 유지보수..... 519**

**폐기..... 520**

**기술 데이터**

차량 인식판..... 523  
 생산 정보..... 523  
 색인..... 525

## 사용 설명서 그림 설명

국가에 따라 충전기에 다양한 그림이 부착될 수 있습니다.



충전기의 작동 온도 범위는 -30°C ~ +50°C입니다.



해발 5,000m 이상 고도에서 충전기를 작동하지 마십시오.



충전기에 스위치가 없는 보호 전도체가 장착되어 있습니다.



충전기에 스위치가 있는 보호 전도체가 장착되어 있습니다.



충전기를 폐기할 경우 해당하는 모든 폐기 규정을 준수하십시오.



연장 케이블 또는 케이블 릴을 사용하지 마십시오.



(여행용) 어댑터를 사용하지 마십시오.



멀티 소켓을 사용하지 마십시오.



손상된 전자 제품 또는 연결 케이블과 함께 충전기를 사용하지 마십시오.



잘못 사용할 시 감전 위험이 있습니다.



제공된 사용 설명서, 특히 경고 및 안전 지침을 준수하십시오.



충전기의 표면이 매우 뜨거워질 수 있습니다.



비접지 주 전원 공급 시스템(예: IT 네트워크)에서는 충전기를 작동하지 마십시오. 충전기는 접지 처리를 한 주 전원 공급 시스템 내에서만 작동해야 합니다.



충전기는 단상 네트워크 내에서만 작동해야 합니다.



충전기에는 AC 전원 공급 장치가 필요합니다.



전압 범위가 ≤ 250 VAC인 유형 1 플러그를 나타냅니다.



전압 범위가 ≤ 480 VAC인 유형 2 플러그를 나타냅니다.

## 데이터 보호 공지

포르쉐 충전 장비가 올바르게 통신하고 항상 최신 상태를 유지할 수 있도록 포르쉐에서는 정기적으로 다음과 같이 장치 관련 데이터를 암호화하여 충전 장비에서 수집하고 처리합니다. 이때 처리되는 정보는 장치 ID, 브랜드, 세대, 장치 유형 및 소프트웨어 버전입니다.

해당 충전 장비에 대한 다른 Porsche Connect 서비스를 사용하려면 포르쉐 ID 계정에 충전 장비를 페어링해야 합니다. 이 계정은 특정 시장의 Porsche Connect 배포사에서 제공됩니다. Porsche Connect 서비스를 사용하는 동안 포르쉐는 이러한 서비스를 제공하고 렌더링하기 위해 개인 정보 및 기타 장치 관련 데이터를 수집하고 처리합니다. 이러한 정보에는 고객 ID, 통계, 충전 세션 정보, 상태, 연결 상태 및 통신이 마지막으로 설정되었을 때의 타임 스탬프가 포함됩니다. 비즈니스 및 데이터 개인 정보 보호 정책의 일반 약관에 대한 자세한 내용은

[www.porsche.com/connect-store](http://www.porsche.com/connect-store)를 참조하십시오.

충전 장비의 정기적인 데이터 전송으로 인터넷 서비스 제공업체에서 추가 비용을 부과할 수 있습니다. 포르쉐에 저장된 데이터는 My Porsche를 통해 영구적으로 삭제할 수 있습니다. 일부 국가에서는 기술 또는 법률적 제한으로 인해 포르쉐 충전 장비의 일부 Porsche Connect 서비스를 사용할 수 없습니다.

## 자세한 정보

충전기와 Web Application에 대한 자세한 정보는 <https://www.porsche.com>의 "E-Performance(E 성능)" 영역에서 확인할 수 있습니다.



## 보안 안전 지침

### ⚠ 위험

감전, 합선, 화재, 폭발

손상 또는 결함이 있는 충전기와 전기 소켓을 사용하거나, 충전기를 부적절하게 사용하거나, 안전 지침을 준수하지 않을 경우, 합선, 감전, 폭발, 화재가 발생하거나 화상을 입을 위험이 있습니다.

- ▶ Porsche에서 승인하고 제공한 전원 공급 장치 및 차량 케이블과 같은 부속품만 사용하십시오.
- ▶ 손상 및/또는 오염된 충전기를 사용하지 마십시오. 사용하기 전에 케이블 및 플러그 연결부의 손상 및 오염 여부를 확인하십시오.
- ▶ 제대로 설치되고 손상되지 않은 전기 소켓 및 무고장 전기 설비에만 충전기를 연결하십시오.
- ▶ 연장 케이블, 케이블 릴, 멀티 소켓 또는 (여행용) 어댑터를 사용하지 마십시오.
- ▶ 폭풍우가 칠 때는 충전기를 주 전원 공급 장치에서 분리하십시오.
- ▶ 전기 부품을 개조하거나 수리하지 마십시오.
- ▶ 고장을 수리하되 수리는 반드시 전문가에게 맡기십시오.

### ⚠ 위험

감전, 화재

전기 소켓을 잘못 설치하면 차량 충전 포트를 이용하여 고압 배터리를 충전할 때 감전이나 화재가 발생할 수 있습니다.

- ▶ 전원 공급 장치 테스트 및 설치, 충전기용 전기 소켓의 초기 작동은 전문 전기 기술자만 수행해야 합니다. 이 전기 기술자가 관련 표준 및 규정의 준수 여부에 대한 모든 책임을 집니다. Porsche에서는 Porsche 공식 서비스 센터 이용을 권장합니다.
  - ▶ 전기 소켓에 대한 전력 케이블의 단면은 배선 길이 및 현지의 해당 규정 및 표준에 따라 정의되어야 합니다.
  - ▶ 충전용 전기 소켓을 현지 법률 및 표준을 준수하는 별도의 퓨즈가 달린 전기 회로에 연결해야 합니다.
  - ▶ 충전기는 개인 및 반공공 장소(예: 사유 재산, 회사 주차장)에서 사용하기 위한 제품입니다. 이탈리아 및 뉴질랜드와 같은 일부 국가에서는 공공 장소에서 모드 2 충전이 **금지되어** 있습니다.
  - ▶ 무감독 충전 중에는 충전기 및 차량에 비인가자(예: 뛰노는 아이) 또는 동물이 접근하지 못하게 해야 합니다.
- ▶ 설치 설명서 및 사용 설명서의 안전 지침을 반드시 읽어 보십시오.

### ⚠ 위험

감전, 화재

플러그 접촉부를 잘못 취급하면 감전이나 화재가 발생할 수 있습니다.

- ▶ 차량 충전 포트 및 충전기의 접촉부를 만지지 마십시오.
- ▶ 차량 충전 포트나 충전기에 물품을 넣지 마십시오.
- ▶ 전기 소켓과 플러그 연결부에 습기, 물 및 다른 액체가 묻지 않게 하십시오.

### ⚠ 경고

가연성 또는 폭발성 증기

충전기 부품에서 스파크가 튀어 가연성 또는 폭발성 증기에 불이 붙을 수 있습니다.

- ▶ -특히 차고에서- 폭발 위험을 줄이려면 충전 중에 컨트롤 유닛이 바닥에서 50cm 이상 떨어져 있어야 합니다.
- ▶ 폭발 위험이 높은 곳에 충전기를 설치하지 마십시오.

인도네시아만 해당



Dilarang melakukan perubahan spesifikasi yang dapat menimbulkan gangguan fisik dan/atau elektromagnetik terhadap lingkungan sekitar

방사선 피폭 한계값(1999/519/EG)의 요건을 충족하려면, 모든 사람과의 거리가 최소 20 cm가 되도록 장치를 설치해야 합니다.

충전기를 이용하여 무중단 충전을 원활하게 진행하려면 다음 지침과 권장 사항을 준수하십시오.

- 전기 소켓을 새로 설치할 때 가용 전력이 가장 높은 산업용 전기 콘센트를 선택하고(가정용 전기 설비에 맞게 조정) 전문 전기 기술자가 조작하도록 해야 합니다. Porsche 에서는 Porsche 공식 서비스 센터 이용을 권장합니다.
- 기술적으로 가능하고 법률상 허용되는 경우 전기 설비는 차량 충전에 사용되는 전기 소켓의 최대 정격 출력을 사용할 수 있도록 치수화되어야 합니다.

- 설치하기 전에 차량을 충전하기 위해 필요한 전력이 현재 사용 가능한 가정용 설비로 계속 제공되는지를 점검하십시오. 필요한 경우 에너지 관리 시스템으로 가정용 설비를 보호하십시오.
- 가능하면 충전기는 접지 처리를 한 주 전원 공급 시스템 내에서 작동해야 합니다. 보호 전도체가 적절하게 설치되어야 합니다.
- 가정용 전기 설비에 대해 잘 모르는 경우 전문 전기 기술자에게 문의하십시오. Porsche에서는 Porsche 공식 서비스 센터 이용을 권장합니다.
- 태양광발전(PV) 시스템과 함께 충전기를 사용하려면 포르쉐 공식 서비스 센터에 문의하십시오.
- 충전기의 성능을 최대한 활용하고 차량을 신속하게 충전하려면 전원 플러그에 적합한 가장 높은 정격 전류의 NEMA 전기 소켓이나 IEC 60309를 따르는 산업용 전기 콘센트를 사용하십시오.
- 가정용/산업용 전기 콘센트를 통해 고전압 배터리를 충전할 때 전기 설비를 최대 용량으로 로드할 수 있습니다. 충전에 사용되는 전기 설비를 전문 전기 기술자에게 정기적으로 점검 받을 것을 권장합니다. 설치 시 전문 전기 기술자에게 적합한 점검 주기를 알아보십시오. Porsche에서는 Porsche 공식 서비스 센터 이용을 권장합니다.
- 인도 시 전기 설비의 과열을 방지하기 위해 충전 전류는 자동으로 제한됩니다. 충전기를 작동하고 가정용 설비에 필요한 충전 전류 한도를 설정하는 작업은 전문 전기 기술자에게 맡기십시오.
  - ▷ 507 페이지의 "충전 전류 제한" 장을 참조하십시오.

▷ 521 페이지의 "기술 데이터" 장을 참조하십시오.  
 충전기는 메인 케이블, 조작 유닛 및 차량 케이블의 조합으로만 사용할 수 있습니다.  
 이는 실외에서 사용하기에 적합합니다.

## 올바른 사용

전기 차량에 일반적으로 적용되는 표준 및 규정을 준수하는 고전압 배터리로 차량을 충전하기 위한 모드 2 충전용 통합 컨트롤 및 프로텍션이 장착된 충전기.

- ▶ 항상 현지 주 전원 공급 장치에 적합한 장치 버전을 사용하십시오.

## 공급 범위



그림 231: 공급 범위

- A** 공급 케이블(컨트롤 유닛에서 분리 가능)
- B** 주 전원 공급 장치에 연결하기 위한 전원 플러그
- C** 컨트롤 유닛
- D** 차량 플러그(차량용 커넥터 플러그)
- E** 차량용 케이블(국가에 따라 컨트롤 유닛에서 분리가 가능하거나 고정되어 있음)
- F** 액세스 데이터가 포함된 문서

**i** 정보

옵션 구성품: 충전기에 국가에 따라 다양한 벽걸이 장착 장치(예: 기본 벽걸이 장착 장치 또는 충전 장비)가 제공됩니다.

## 액세스 데이터

충전기 및 Web Application 에 필요한 모든 데이터가 들어 있는 액세스 데이터 문서가 장치와 함께 제공됩니다.

- ▶ 액세스 데이터가 포함된 문서를 안전한 장소에 보관하십시오.

**i** 정보

장치 인도 시 유효한 액세스 데이터(예: 사전 설정된 PIN 및 초기 암호)가 손실된 경우 포르쉐 공식 서비스 센터에 문의하십시오.

- 충전기의 일련번호를 준비하십시오.
  - ▶ 494 페이지의 "충전기의 일련번호" 장을 참조하십시오.

액세스 데이터가 나와 있는 문서에는 다음 데이터가 포함되어 있습니다.

명칭	의미
일련 번호	충전기의 일련번호
WiFi MAC	WiFi 인터페이스의 MAC 주소
GRID MAC	가정용 PLC 인터페이스의 MAC 주소
차량 MAC	차량 PLC 인터페이스의 MAC 주소
WiFi SSID	- WiFi 액세스 지점의 SSID - 호스트 이름
WiFi PSK	네트워크 키

명칭	의미
홈 사용자 암호	웹 앱에 대한 초기 홈 사용자 암호
고객 서비스 암호	웹 앱의 초기 고객 서비스 암호
핀	개인 식별 번호
PUK	개인 잠금 해제 키

**i** 정보

**호스트 이름** 은 다음 요소로 구성되어 있습니다.

충전기 + 일련 번호(예: MobileChargerConnect-1234567)

**i** 정보

보안 필드에는 필요한 액세스 코드(PIN 및 PUK)가 포함되어 있습니다. 이 필드에는 이들 코드를 가리고 있는 특수 잉크가 있습니다. 이 코드들은 이 필드가 흐르는 물에 적셨을 때만 눈에 보입니다.

코드가 손상될 수도 있으니 물에 적실 때 문지르거나 긁지 마십시오.

## PIN 및 PUK

PIN 및 PUK는 충전기를 잠금 해제하는 데 사용됩니다.

- ▶ PIN을 분실하거나 잊어버린 경우 PUK를 입력하여 충전기를 잠금 해제하고 새 PIN을 설정하십시오.
- ▶ PUK를 분실하거나 잊어버린 경우 포르쉐 공식 서비스 센터에 문의하십시오.

### 웹 앱 암호

암호는 웹 앱 로그인 시 사용됩니다. Web Application 초기 암호를 사용할 때:

- ▶ 초기 암호를 분실하거나 잊어버린 경우 포르쉐 공식 서비스 센터에 문의하십시오.

직접 설정한 암호를 사용할 때:

- ▶ 직접 설정한 암호를 잊은 경우 충전기를 공장 초기화 설정으로 재설정하여 초기 암호를 다시 활성화합니다 (설정 ⚙ ▶ 공장 초기화 설정).

### 충전기의 일련번호

충전기의 일련번호는 다음 위치에서 찾을 수 있습니다.

- 액세스 데이터가 포함된 문서에서 "시리얼 번호" 표시 뒤에
- 차량 인식판(컨트롤 유닛 후면)에서 "SNSN"이라는 약어 뒤에
- 충전기에서: 설정 ⚙ ▶ 서비스 ▶ 장치 정보
- 웹 앱에서: Web Application 설정 ▶ 서비스 ▶ 정보

### Porsche ID

충전기가 Porsche ID 와 연결되어 있으면, My Porsche 및 Porsche Connect App 에서 충전기 및 충전 프로세스에 대한 정보를 불러올 수 있습니다.

충전기를 더 이상 사용하지 않을 경우(예: 충전기를 팔 경우):

1. Porsche ID와 충전기 사이의 연결을 해제합니다 (설정 ⚙ ▶ 사용자 프로필).
2. 충전기를 공장 초기화 설정으로 재설정합니다 (설정 ⚙ ▶ 공장 초기화 설정).

## 개요 컨트롤 유닛의 연결



그림 232: 컨트롤 유닛의 연결

- A 공급 케이블
- B 차량 케이블

공급 케이블 **A**를 분리하고 컨트롤 유닛의 상단에 삽입할 수 있습니다.

차량 케이블 **B**를 분리하고 컨트롤 유닛의 하단에 삽입합니다.

## 충전기 컨트롤 유닛

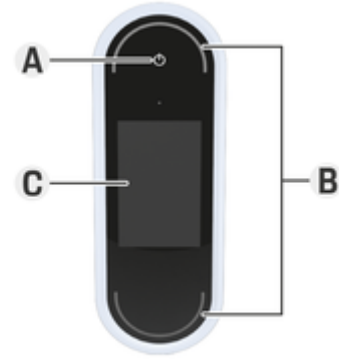


그림 233: 컨트롤 유닛

- A 전원 버튼 ⏻
- B 상태 LED ○
- C 표시창

전원 버튼 **A** (그림 233)를 사용하여 충전기를 켜고 끌 수 있습니다.

상태 LED **B**(그림 233)는 충전기의 상태를 표시합니다. 충전기와의 통신이 표시창 **C**(그림 233)에 정보 및 오류 메시지의 형태로 표시됩니다.

### 디스플레이 패널 표시 및 조정

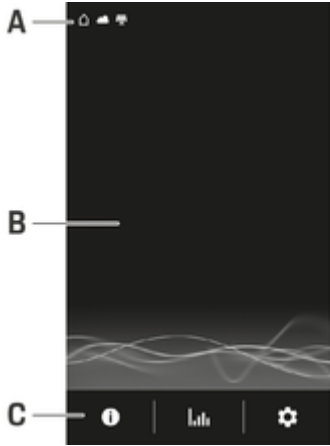


그림 234: 충전기 표시창

- A** 상태 표시줄
- B** 정보 영역
- C** 메뉴 모음

밝기 센서는 표시창의 밝기를 제어합니다. 밝기는 주위 조명 조건에 따라 자동으로 조절됩니다.

#### 상태 표시줄

상태 표시줄에 여러 기호가 표시될 수 있습니다. 다음 개요는 상태 모음에 있는 기호의 의미를 보여줍니다.

기호	의미
	WiFi 연결 사용 가능
	서버 연결을 사용할 수 있음
	소프트웨어 다운로드
	PLC 네트워크에 연결을 사용할 수 있음
	핫스팟이 활성화됨
	충전 프로파일이 차량에서 활성화되었습니다. 이 프로파일은 설정에 따라 로드됩니다.
	태양광 시스템 연결됨

#### 상태 표시줄

상태 표시줄에 여러 기호가 표시될 수 있습니다. 다음 개요는 상태 모음에 있는 기호의 의미를 보여줍니다.

기호	의미
	WiFi 연결 사용 가능
	서버 연결을 사용할 수 있음
	소프트웨어 다운로드
	PLC 네트워크에 연결을 사용할 수 있음
	핫스팟이 활성화됨
	접지 모니터링 비활성화됨(캐나다, 멕시코)
	충전기가 에너지 매니저에 연결되어 있음
	충전 프로파일이 차량에서 활성화되었습니다. 이 프로파일은 설정에 따라 로드됩니다.
	태양광 시스템 연결됨

#### 정보

중요도에 따라 특정 기호가 중복되어 보이지 않습니다(우선순위가 높은 기호는 예를 들어 PLC 네트워크 < WiFi 연결 < 전력 관리자입니다).

## 개요

### 메뉴 모음

메뉴 모음에 여러 기호가 표시될 수 있습니다.

다음 개요는 메뉴 모음에 있는 기호의 의미를 보여줍니다.

기호	의미
	현재 충전 프로세스에 대한 정보 표시
	충전 이력 표시
	설정 구성
	소프트웨어 업데이트를 사용할 수 있습니다.

- A 뒤로
- B 위로/아래로
- C 활동
- D 세부 정보
- E 건너뛰기

### 컨트롤 옵션

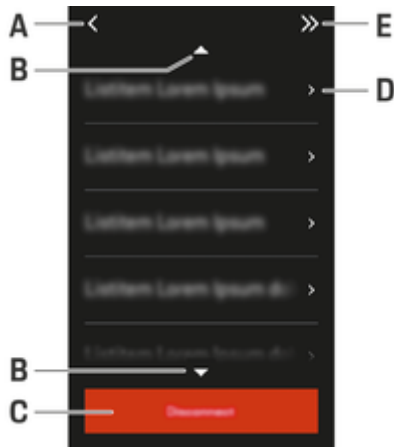


그림 235: 컨트롤 옵션

## 설치 위치 선택

### ⚠ 위험

감전, 화재

충전기를 잘못 사용하거나 안전 지침을 준수하지 않으면 합선, 감전, 폭발 또는 화재가 발생하거나 화상을 입을 수 있습니다.

- ▶ 폭발 위험이 높은 곳에 기본 벽걸이 장착 장치 또는 충전 장비를 설치하지 마십시오.
- ▶ 기본 벽걸이 장착 장치 또는 충전 장비를 설치하기 전에 드릴로 뚫을 장착 구멍 부근에 전기 케이블이 없어야 합니다.
- ▶ 차고에서 특히 폭발 위험을 줄이려면 충전하는 동안 컨트롤 유닛이 바닥에서 50cm 이상 위로 떨어져 있어야 합니다.
- ▶ 현지의 해당 전기 설치 규정, 화재 보호 조치, 사고 예방 규정 및 대피 경로를 준수하십시오.

기본 벽걸이 장착 장치 및 충전 장비는 실내 및 실외에서 설치하도록 설계되었습니다. 적합한 설치 위치를 선택할 때 다음 기준을 고려해야 합니다.

- 전기 소켓 및 공급 라인, 기본 벽걸이 장착 장치 또는 충전 장비는 직사광선을 피하고 비를 맞지 않도록 커버가 있는 곳(예: 차고)에 설치하는 것이 가장 좋습니다.
- 바닥 및 천장에서부터 전기 소켓의 거리는 편안한 사용을 보장할 수 있도록 해당 국가의 규정 및 표준에 따라 선택해야 합니다.
- 늘어진 물건 또는 걸려 있는 물건 아래에 기본 벽걸이 장착 장치 또는 충전 장비를 설치하지 마십시오.
- 마구간, 축사 또는 암모니아 가스가 발생하는 위치에 기본 벽걸이 장착 장치 또는 충전 장비를 설치하지 마십시오.
- 매끄러운 표면에 기본 벽걸이 장착 장치 또는 충전 장비를 설치하십시오.
- 확실하게 고정하기 위해 설치 전에 벽 상태를 점검하십시오.

- 기본 벽걸이 장착 장치 또는 충전 장비를 가능하면 선호하는 차량 주차 위치에 설치하십시오. 차량의 방향을 고려하십시오.
- 기본 벽걸이 장착 장치 또는 충전 장비가 통로 근처에 있지 않고 공급 케이블이 통로를 교차하지 않도록 설치합니다.
- 전원 플러그와 전원 소켓 사이의 거리가 사용 가능한 공급 케이블의 길이를 초과하지 않도록 기본 벽걸이 장착 장치 또는 충전 장비를 설치합니다.

## 필요한 공구

### 필요한 공구

- 기포 수준기
- 동력 드릴 또는 해머 드릴
- 스크류 드라이버

### 장착 벽걸이 장착 기본 벽걸이 설치

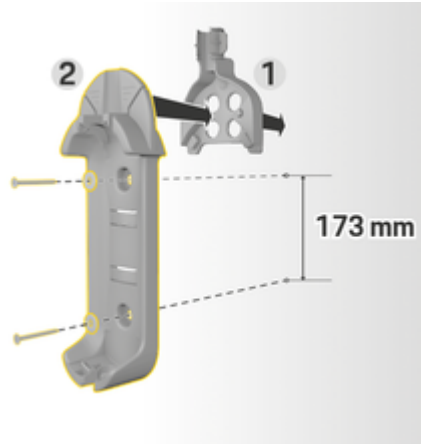


그림 236: 드릴 구멍 치수

1. 벽에 드릴 구멍을 표시합니다.
2. 장착 구멍을 뚫고 벽 플러그를 삽입합니다.
3. 기본 벽걸이 장착 장치 2 (그림 236)를 정면에서 케이블 경로 1 (그림 236)에 눌러 넣습니다.
4. 기본 벽걸이 장착 장치를 벽에 조여 넣습니다.

### 커넥터 잠금 장치 설치

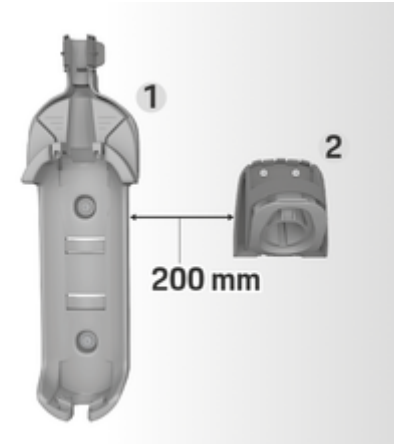


그림 237: 벽걸이 장착 장치와 커넥터 잠금 장치 간 거리

커넥터 잠금 장치를 설치할 때 기본 벽걸이 장착 장치와 200mm의 거리를 보장하십시오.



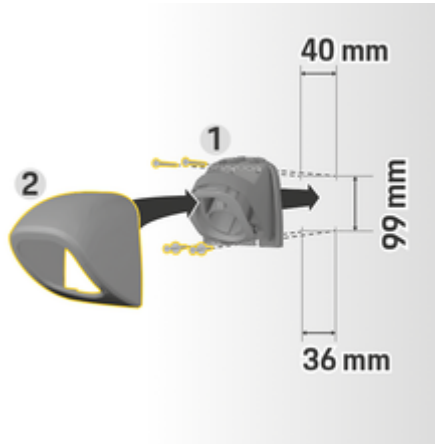


그림 238: 드릴 구멍 치수

1. 커버 2 (그림 238)에서 커넥터 잠금 장치 1 (그림 238)을 분리합니다.
2. 벽에 드릴 구멍을 표시합니다.
3. 장착 구멍을 뚫고 벽 플러그를 삽입합니다.
4. 커넥터 잠금 장치 1 (그림 238)을 벽에 조여 넣습니다.
5. 커버 2 (그림 238)를 아래에서 커넥터 잠금 장치 1 (그림 238)에 장착하고 위로 밀니다.

### 벽걸이 장착 장치에 컨트롤 유닛 부착



그림 239: 컨트롤 유닛 장착

1. 차량 케이블을 기본 벽걸이 장착 장치의 하단 구멍을 통해 연결하고 컨트롤 유닛의 하단을 잠금 탭에 놓고 뒤로 밀어 체결합니다.
2. 공급 케이블을 기본 벽걸이에 상단 구멍을 통해 밀어 넣고 서클립을 왼쪽으로 밀어 잠급니다.
3. 차량 플러그를 커넥터 잠금 장치에 삽입합니다.

### 스페이서를 이용하지 않는 설치

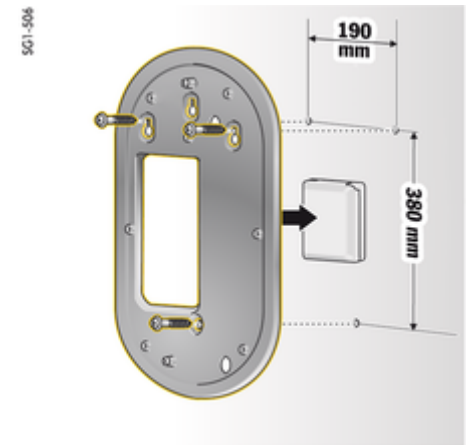


그림 240: 드릴 구멍 치수

1. 벽에 드릴 구멍을 표시합니다.
2. 장착 구멍을 뚫고 벽 플러그를 삽입합니다.
3. 조립 플레이트를 벽에 조여 넣습니다.

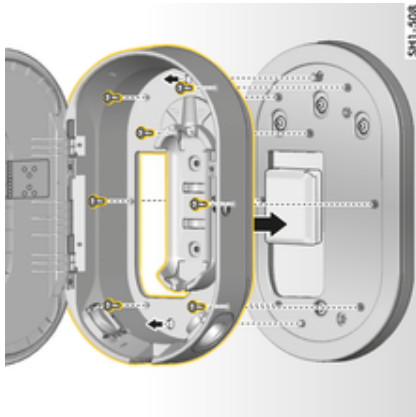


그림 241: 충전 장비를 조립 플레이트에 조임

4. 충전 장비를 조립 플레이트에 조여 넣습니다.

### 스페이서를 이용한 설치

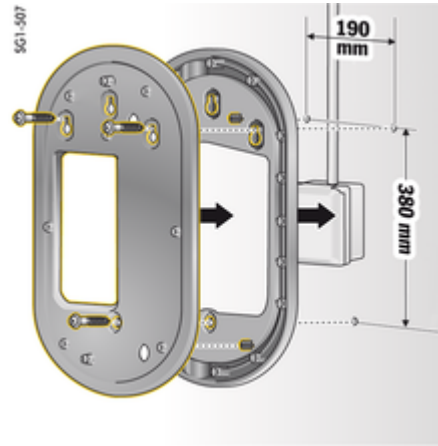


그림 242: 드릴 구멍 치수

1. 벽에 드릴 구멍을 표시합니다.
2. 장착 구멍을 뚫고 벽 플러그를 삽입합니다.
3. 조립 플레이트와 스페이서를 벽에 조여 넣습니다.

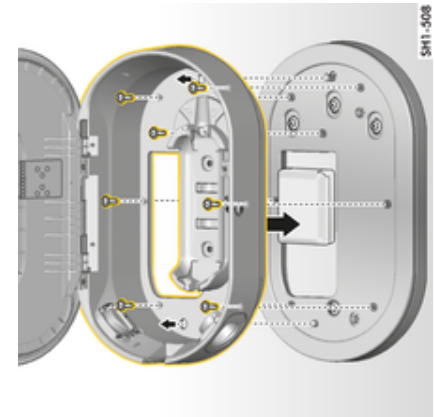


그림 243: 충전 장비를 조립 플레이트에 조임

4. 충전 장비를 조립 플레이트에 조여 넣습니다.

## 설정

### 차량 충전 케이블 및 공급 케이블

#### 차량 충전 케이블 및 플러그에 대한 정보

차량 장비에 따라 다른 종류의 차량 충전 포트 A 와 차량 플러그 B 를 사용할 수 있습니다.



IEC 62196-2/  
SAE-J1772-2009  
유형 1 UL/IEC

#### 공급 케이블 선택

최적의 충전 속도로 일반적인 충전을 하려면 아래 나열된 공급 케이블만 사용하십시오. 가능한 최대 충전 전력은 22kW입니다(장치, 전원 공급/가정용 연결 장치 및 온보드 충전기 종류에 따라 다름). 해외에서 사용하는 경우 방문할 국가에서 사용하기에 적절한 공급 케이블을 항상 휴대하십시오.

차량 케이블은 상황에 따라 길이가 2.5 또는 7.5미터가 될 수 있습니다. 일부 국가에서는 공급 케이블, 컨트롤 유닛 및 차량 케이블의 총 길이에 대한 제한이 있습니다. 예를 들어 스위스에서는 5미터, 이스라엘 및 미국에서는 7.5미터로 제한됩니다(1).

1. 인쇄 날짜. 자세한 정보는 Porsche 공식 서비스 센터 또는 현지 전기 공급업체를 통해 확인할 수 있습니다.

### 산업용 전기 콘센트의 공급 케이블



IEC 60309-2  
CEE 400V/16A  
6h

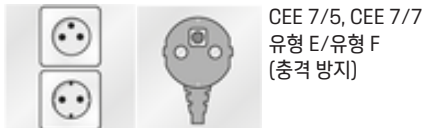


IEC 60309-2  
CEE 400V/32A  
6h

### 가정용 전기 콘센트의 공급 케이블

사용 가능한 산업용 전기 콘센트가 없는 경우 아래에 나열된 공급 케이블을 사용하여 충전할 수도 있지만 충전 전력은 감소됩니다.

- ▶ 일부 국가(예: UAE, 이스라엘, 싱가포르, 인도)에서는 가정용 전기 콘센트에서 충전하는 것이 **금지됩니다**.



CEE 7/5, CEE 7/7  
유형 E/유형 F  
(충격 방지)

### 공급 케이블 및 차량 케이블 변경

**⚠ 위험** 감전

감전으로 인해 심각하거나 치명적인 부상의 위험이 있습니다.

- ▶ 공급 케이블을 변경하기 전에 반드시 콘센트에서 공급 케이블을 분리하고 차량 충전 포트에서 차량 케이블을 분리하십시오.
- ▶ 건조한 환경에서만 케이블을 바꾸십시오.
- ▶ Porsche에서 승인한 케이블만 사용하십시오.

▶ 493 페이지의 "공급 범위" 장을 참조하십시오.

일부 국가(예: 노르웨이, 이탈리아, 포르투갈, 스페인<sup>1)</sup>)에서는 전문 전기 기술자만 공급 케이블을 바꿀 수 있습니다. Porsche에서는 Porsche 공식 서비스 센터 이용을 권장합니다.



그림 244: 컨트롤 유닛의 연결

공급 케이블 A를 분리하고 컨트롤 유닛의 상단에 삽입할 수 있습니다.

차량 케이블 B를 분리하고 컨트롤 유닛의 하단에 삽입합니다

### 케이블 분리

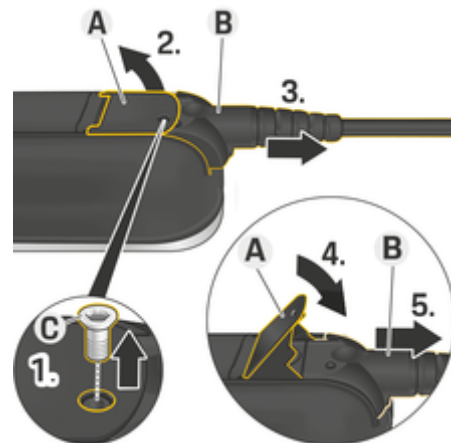


그림 245: 케이블 분리

- ✓ 고전압 배터리 충전이 끝나면 차량 충전 포트에서 차량 플러그를 분리합니다.
  - ✓ 전기 소켓에서 플러그를 분리해야 합니다.
1. 적합한 공구를 사용하여 나사 C(그림 245)를 분리합니다.
  2. 레버 A(그림 245)를 들어 올립니다.
  3. 저항감이 처음 느껴질 때까지 플러그 B(그림 245)를 빼냅니다.
  4. 레버 A(그림 245)를 닫습니다.
  5. 플러그 B(그림 245)를 완전히 빼냅니다.

1. 인쇄 날짜. 자세한 정보는 Porsche 공식 서비스 센터 또는 현지 전기 공급업체를 통해 확인할 수 있습니다.

### 케이블 고정

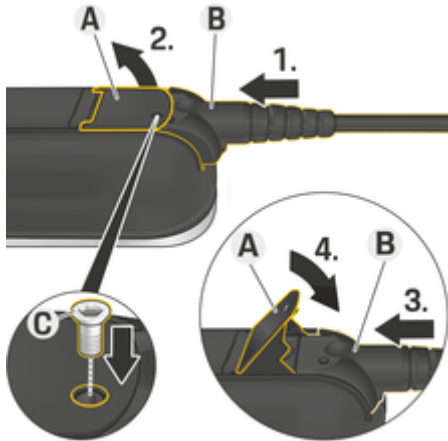


그림 246: 케이블 연결 및 플러그 고정

✓ 레버 A (그림 246)가 닫혀 있어야 합니다.

- 저항감이 처음 느껴질 때까지 플러그 B (그림 246)를 컨트롤 유닛에 삽입합니다.
- 레버 A (그림 246)를 들어 올립니다.
- 플러그 B (그림 246)를 끝까지 밀어 넣습니다.
- 레버 A (그림 246)를 닫습니다.
- 나사 C (그림 246)를 사용하여 플러그 B (그림 246)를 컨트롤 유닛에 고정합니다.

## 초기 작동 및 구성

### 시작

처음으로 충전기를 사용할 경우 다음 설정을 구성한 후 사용하십시오.

#### ① 정보

- 건너뛰기로 표시된 옵션은 건너뛰어도 됩니다. 이 경우에는 설정이 구성되지 않습니다.
- 표시창에서 언제든지 설정을 변경할 수 있습니다 (✱).

### 언어 및 국가

- 목록에서 필요한 언어를 선택합니다. 선택을 확인합니다.
- 목록에서 필요한 국가를 선택합니다.
- 선택한 언어 및 국가를 확인합니다.

### 데이터 전송

- ▶ 데이터 전송에 대한 지침을 읽고 확인하십시오.

### 소프트웨어 업데이트

충전기의 기능이 모두 작동할 수 있도록 보장하려면 항상 최신 소프트웨어를 설치해야만 합니다.

- ▶ 자동 소프트웨어 업데이트에 대한 설정을 선택하고 확인하십시오.

켜기 충전기가 소프트웨어 업데이트를 사용할 수 있는지 확인한 다음 자동으로 다운로드합니다.

그런 다음 설치가 바로 시작되거나 나중에 연기됩니다.

끄기 충전기는 소프트웨어 업데이트를 사용할 수 있는지 확인하고 해당 메시지를 표시합니다. 그러면 다운로드를 수동으로 시작할 수 있습니다.

다운로드가 완료되고 나면, 설치가 바로 시작되거나 나중에 연기됩니다.

충전기에 인터넷이 연결되어 있지 않으면 소프트웨어 업데이트는 <https://www.porsche.com>의 E-Performance 영역에서 웹 주소를 통해 수동으로 다운로드하거나 웹 앱을 통해 설치할 수도 있습니다.

### 네트워크 선택

홈 네트워크에 연결하는 옵션을 선택합니다. 이 옵션은 건너뛰기를 사용하여 건너뛰어도 됩니다. 이 경우 홈 네트워크에 대한 연결이 설정되지 않습니다. 충전기가 기존 홈 네트워크에 연결되어 있는 경우 고급 기능 및 정보를 사용할 수 있습니다. WiFi 또는 PLC 네트워크(전력선 통신망 네트워크)를 통해 연결을 할 수 있습니다. 이용 가능한 홈 네트워크가 없는 경우 충전기에 핫스팟을 설정할 수 있습니다.

#### ① 정보

암호 보호 기능이 없는 공용 WiFi 네트워크는 지원되지 않으므로 사용할 수 없습니다.

### WiFi를 통한 연결

- WiFi를 선택합니다.
- 감지한 WiFi 네트워크 목록에서 홈 네트워크를 선택합니다.
- 암호를 입력하고 확인합니다.

### PLC 페어링 버튼을 통한 연결

- PLC 페어링 버튼을 선택합니다.
- PLC 모델에서 연결 프로세스를 시작합니다. 충전기에서 **확인**을 눌러 확인합니다.  
설정이 연결되면 **연결**로 확인합니다.


▶ PLC 네트워크에 대한 연결이 활성 상태입니다.

PLC 네트워크에 대한 연결이 설정되면 상태 표시줄에 기호가 표시됩니다.

### PLC 보안 코드를 통해 연결

이 방법에는 PLC 네트워크에 대한 컨트롤 소프트웨어가 포함되어 있는 장치를 사용해야 합니다.

1. 보안 코드를 사용하여 PLC 네트워크에 대한 연결을 설정하려면 **PLC 보안 코드**를 선택합니다.
  - ➔ 표시창에 보안 코드가 표시됩니다.
2. 충전기를 PLC 네트워크에 통합하기 위해 PLC 네트워크용 컨트롤 소프트웨어의 관련 메뉴에서 보안 코드를 입력합니다.
  - ➔ PLC 네트워크에 대한 연결이 활성화 상태입니다.

PLC 네트워크에 대한 연결이 설정되면 상태 표시줄에  기호가 표시됩니다.

### 정보

PLC 특성:

- 차량에 대한 인터페이스와 인프라에 대한 인터페이스가 별개입니다
- PLC가 EEE P1901을 따름
- 홈 플러그 AV
- 암호화: 128비트 AES
- 주파수 대역: 2-30MHz

### 사용자 프로필(Porsche ID 페어링)

충전기가 Porsche ID와 페어링되면 충전기 및 충전 프로세스에 대한 정보를 My Porsche 및 Porsche Connect 앱에 표시할 수 있습니다.


### 충전기를 Porsche ID와 페어링하려면:

- ▶ 장치의 브라우저에서 충전기 표시창에 표시된 웹 사이트를 열고 사용자 코드를 입력합니다.
  - 또는 -
- ▶ 충전기에 표시된 QR 코드를 스캔합니다. 다음과 같은 방법으로 QR 코드를 스캔할 수 있습니다.
  - Porsche Connect 앱 사용(나의 계정 > 충전 케이블 및 장치 > QR 코드 스캔)
  - 장치의 카메라 사용(iOS 11 이상, Android는 다름).
  - QR 코드 스캔용 앱 사용

충전기가 성공적으로 페어링된 경우 설치 어시스턴트가 다음 단계로 이동합니다.


### 전력 관리자 연결

전력 관리자가 사용 가능한 경우 전력 관리자에 대한 연결을 설정할 수 있습니다. 그러면 전력 관리자에서 충전 프로세스를 제어합니다.

- ▶ 연결 지침은 전력 관리자 작동 설명서를 참조하십시오.
- ▶ 사용 가능한 전력 관리자가 없으면 충전기에 입력된 충전 전류로 차량이 충전됩니다.
  - ▶ **설정**  ▶ **충전 전류 조절**
- ▶ 504 페이지의 "충전 전류 조절" 장을 참조하십시오.

### 핫스팟

홈 네트워크에 통합할 수 없는 경우 충전기는 핫스팟을 활성화하고 이를 사용하여 충전기의 Web Application에 연결할 수 있습니다.

- ▶ 핫스팟을 설정하려면 **핫스팟 활성화**를 클릭합니다. 핫스팟이 설정되면 상태 표시줄에  기호가 나타납니다.

### 정보

Android 시스템을 사용하는 경우 핫스팟 연결을 설정할 수 있도록 연결이 설정되었는 지를 별도로 확인해야 할 수 있습니다.

### 충전 전류 조절

홈 네트워크에서 사용할 수 있는 전력 관리자가 없는 경우 여기에서 충전기의 최대 허용 충전 전류를 설정할 수 있습니다.

표시된 최대값은 연결된 케이블 유형에 따라 결정됩니다.

- ▶ 충전 전류를 충전기에 사용되는 주 전원 공급 장치에서 사용할 수 있는 최대값으로 설정합니다. + 및 -를 사용합니다.
- ▶ 507 페이지의 "충전 전류 제한" 장을 참조하십시오.

### 장치 보호

승인되지 않은 차량이 충전기에 연결되지 않도록 PIN 프롬프트를 설정할 수 있습니다.

1. PIN 프롬프트를 활성화하려면 **키기**를 선택합니다.
2. 4자리 PIN을 입력하고 확인합니다.
3. PIN을 다시 입력하고 확인합니다.
  - ➔ PIN 프롬프트의 활성화가 확인됩니다.

### 설정 완료

- ▶ **요약**을 사용하여 입력한 설정을 확인하고 설치를 완료합니다.

### 웹 앱에서 시작:

충전기와 Web Application 을 매일 사용하려면 먼저 충전기를 설정해야 합니다. 그 다음, 사용 중인 장치(PC, 태블릿 또는 스마트폰)와 충전기 간에 연결을 설정해야 합니다.

### 웹 앱에서 처음 시작하기 위한 규정

Web Application 을 처음 사용할 때는 다음 정보가 준비되어야 합니다.

- Web Application 에 충전기를 등록하기 위한 Porsche Mobile Charger Connect 의 액세스 데이터 문서
- 홈 네트워크용 액세스 데이터
- 사용자 프로필용 액세스 데이터( Porsche ID를 사용하여 링크)

웹 앱은 다음 브라우저를 지원합니다.

- Google Chrome 버전 57 이상(권장됨)
- Mozilla Firefox 버전 52 이상(권장됨)
- Microsoft Internet Explorer 버전 11 이상
- Microsoft Edge
- Apple Safari 버전 10 이상

### 충전기에 로그인

#### ① 정보

충전기에 로그인하기 위한 데이터는 액세스 데이터가 수록된 동분된 문서에서 확인할 수 있습니다. 보안 필드에는 액세스 코드(PIN 및 PUK)가 포함되어 있습니다. 이 필드에는 이들 코드를 가리고 있는 특수 잉크가 있습니다.

이 코드들은 이 필드가 흐르는 물에 적셔졌을 때만 눈에 보입니다.

코드가 손상될 수도 있으니 물에 적실 때 문지르거나 긁지 마십시오.

- ✓ 충전기가 켜집니다.
  - ✓ 액세스 데이터가 포함된 문서가 입수되었습니다.
1. 문서에서 PIN을 찾습니다. 이를 위해서는 보안 필드를 물에 적셔 PIN을 보이게 만듭니다.
  2. PIN을 입력합니다.

### 충전기에서 설정 시작

충전기는 설치 작업 관련 단계를 안내해 주는 설치 마법사를 사용하여 설정합니다. 충전기를 올바르게 사용하기 위해서는 설정을 완료해야 합니다.

▶ 충전기 설정에 대한 상세한 정보는 Porsche Mobile Charger Connect 작동 설명서를 참조하십시오.

### 개요

웹 앱은 충전기보다 광범위한 설정 옵션을 제공합니다.

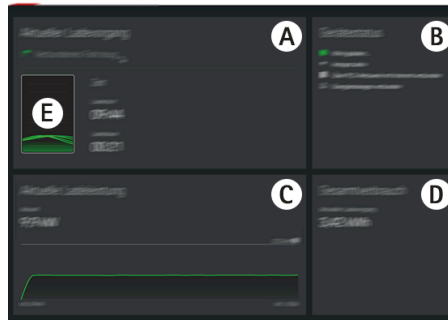


그림 247: 웹 앱의 대시보드

#### A 현재 충전 세션

현재 충전 세션에 대한 정보(예: 시작 시간 및 충전 기간)를 표시합니다.

#### B 장치 상태

장치에 대한 다음과 같은 정보를 표시합니다.

- 현재 충전 상태
- 사용 중인 네트워크 연결
- 전력 관리자에 대한 연결 상태(사용 가능한 경우)
- 소프트웨어 업데이트 제공 여부
- 접지 모니터링 비활성화

#### C 현재 충전 용량

충전기에서 부하 장치로 흐르는 전류 흐름[kw].  
특성: 곡선은 충전 시작 이후 충전 전원의 진행률과 총 에너지 소모량[kw]을 보여줍니다.  
특정 시간의 충전 지점을 보려면 곡선에서 시간을 선택합니다.

#### D 평균 소모량

현재 충전 세션의 총 에너지 소모량(시간 당 킬로와트).

#### E 충전 상태

대시보드에 사용되는 색상은 충전기의 충전 상태를 다음과 같이 나타냅니다.

- 빨간색: 오류 메시지
- 파란색: 충전 일시 정지됨
- 녹색: 차량 충전 중
- 흰색: 충전기에 연결된 차량 없음

## 작동 작동 지침

일부 국가에서는 전기 차량 충전 장비를 연결할 때 관련 당국에 통보해야 합니다.

- ▶ 충전 장비를 연결하기 전에 작동과 관련하여 당국에 고지할 의무나 법적 요구사항이 없는지 확인하십시오.

### 알림

충전기가 손상될 수 있습니다.

- ▶ 충전 시 충전기를 항상 단단한 표면 위에 놓으십시오.
- ▶ Porsche에서는 충전기를 기본 벽걸이 또는 충전 장비에서 사용하라고 권장하고 있습니다. 일부 국가(예: 스위스)\*의 경우, 충전기를 기본 벽걸이 또는 충전 장비에서만 사용할 수 있습니다.
- ▶ 충전기를 물에 담그지 마십시오.
- ▶ 충전기가 얼음과 눈을 맞지 않도록 보호하십시오.
- ▶ 충전기를 조심해서 다루고 과구동하거나, 떨어뜨리거나, 당기거나, 구부리거나, 부서져 잠재적 손상이 생기지 않도록 보호하십시오.
- ▶ 충전기 하우징을 열지 마십시오.

### 알림

충전기가 손상될 수 있습니다.

충전기는  $-30^{\circ}\text{C} \sim +50^{\circ}\text{C}$ 의 범위 이내에서만 작동해야 합니다.

- ▶ 작동 중 과열을 피하려면 충전기를 직사광선에 지속적으로 노출시키지 않아야 합니다. 충전기가 과열되면 온도가 정상 범위로 돌아올 때까지 충전이 자동으로 일시 중단됩니다.
- ▶ 충전기가 너무 뜨겁거나 너무 차가운 경우 천천히 작동 온도 범위로 되돌리십시오. 차가운 물로 냉각시키거나 헤어드라이어를 사용하여 열을 가하는 등 급격히 냉각시키거나 열을 가하는 행동은 하지 마십시오.

## 충전 충전 지침

### 차량 충전 포트

차량 충전 포트에 차량 충전 케이블 연결 및 분리/차량 충전 포트의 충전 및 연결 상태에 대한 자세한 정보:

- ▶ 사용 설명서를 참조하십시오.

### ⚠ 위험

감전, 화재

화재나 감전으로 인해 심각하거나 치명적인 부상의 위험이 있습니다.

- ▶ 충전할 때는 항상 정해진 순서를 따르십시오.
- ▶ 충전 중에 차량 충전 포트에서 차량 케이블을 뽑지 마십시오.
- ▶ 차량 충전 포트에서 차량 케이블을 분리하기 전에 충전 프로세스를 끝내십시오.
- ▶ 충전 중에 전기 소켓에서 충전기를 분리하지 마십시오.

오류가 표시창에 나타나며 빨간색 상태 LED로 표시됩니다. 오류 메시지, 원인 및 조치가 표시됩니다.

- ▶ 516 페이지의 "오작동" 장을 참조하십시오.

### 충전 시간

충전 기간은 다음 요인에 따라 달라질 수 있습니다.

- 사용 중인 전기 소켓(가정용 전기 콘센트 또는 산업용 전기 콘센트)
- 국가별 주 전압 및 전류
- 충전기의 충전 전류 제한에 대한 설정
- 주 전압의 변동

1. 인쇄 날짜: 자세한 정보는 Porsche 공식 서비스 센터에 문의하십시오.



- 차량 및 충전기의 주변 온도. 충전 시간은 온도가 허용 주변 온도의 한도 범위에 있을 때 더 길어질 수 있습니다.
  - ▷ 507 페이지의 "접지 모니터링 활성화 및 비활성화" 장을 참조하십시오.
- 고전압 배터리 및 컨트롤 유닛의 온도
- 조수석 예열/난방 작동
- 전원 플러그 및 차량 플러그의 전류 용량

### **i** 정보

국가별로 주 전원 공급 시스템이 다르기 때문에 다양한 케이블 버전이 제공됩니다. 경우에 따라 완전한 충전 전력을 사용하지 못할 수도 있습니다. 자세한 정보는 Porsche 공식 서비스 센터에 문의하십시오.

## 충전 전류 제한

컨트롤 유닛은 전압과 사용 가능한 전류를 자동으로 감지합니다. 충전 전류 제한을 사용하여 충전에 사용되는 충전 전력을 설정할 수 있습니다. 마지막 충전 전류 설정은 저장됩니다. 전기 설비가 과열되지 않도록 하기 위해 가정용 전기 콘센트를 사용하는 경우 인도 시 충전 전류가 자동으로 50%로 제한됩니다.

충전기가 전력 관리자에 연결되면 전력 관리자에 사전 설정된 값에 따라 충전 전류가 제한됩니다. 최대 가용 충전 전류는 전기 히터나 온수기와 같은 홈 네트워크의 다른 전기 소비 장치에 의해서도 줄일 수 있습니다. 충전 전력은 사용된 전기 회로의 최대 가용 전력보다 높게 설정해서는 안 됩니다. 잘 모르는 경우 전문 전기 기술자에게 문의하십시오.

## Plug and Charge

Plug & Charge를 사용하면, E-충전소나 충전기에서 충전 프로세스를 수동으로 초기화하지 않더라도 개인 및 공공 장소에서 적절한 충전 인프라를 사용하여 차량을 충전할 수 있습니다. 충전 프로세스는 충전 제공 업체와의 계약에 기초하여 자동으로 청구됩니다.

- ✓ 차량의 지능형 충전 기능이 활성화됩니다.
- ✓ 에 적합한 충전 인프라 Plug & Charge
- ✓ 충전 제공 업체와의 계약에는 도 포함됩니다 Plug & Charge

## Private Plug & Charge

장치 보호의 Mobile Charger Connect 이 활성화된 경우 PIN을 입력해야만 충전 프로세스를 시작할 수 있습니다. ▷ 504 페이지의 "장치 보호" 장을 참조하십시오. 이는 무단 액세스로부터 보호하기 위한 것입니다.

## 차량 목록(차량 등록)

PIN을 입력하면 Mobile Charger Connect 의 해당 차량의 차량 목록 포함 여부를 확인하는 메시지가 표시됩니다. 동의 하에 충전 케이블을 꽂은 즉시 차량이 인식되며 차량과 Mobile Charger Connect 의 1회 페어링으로 충전 프로세스가 승인됩니다. 따라서 이 차량의 모든 추가 충전 프로세스에 대해 더 이상 PIN을 입력할 필요가 없습니다.

## 차량 목록 불러오기

Mobile Charger Connect 에 여러 대의 차량을 등록할 수 있습니다. 각 차량은 차량 목록에 별도로 나열됩니다.

- ▶ **설정** ▶ **차량 목록** 을 선택합니다.

이 목록에서 차량을 다시 제거할 수 있습니다.

## 접지 모니터링 활성화 및 비활성화

### **⚠ 위험**

감전, 합선, 화재, 폭발

활성 접지 모니터링 없이 충전기를 사용하면 감전, 합선, 화재, 폭발이 발생하거나 화상을 입을 수 있습니다.

- ▶ 가능하면 충전기는 접지 처리를 한 주 전원 공급 시스템 내에서 작동해야 합니다.
- ▶ 접지 처리하지 않은 주 전원 공급 시스템에서만 접지 모니터링을 비활성화하십시오.
- ▶ 접지 처리한 주 전원 공급 시스템에서 접지 모니터링을 활성화하십시오.
  - ▷ 508 페이지의 "접지 모니터링 활성화" 장을 참조하십시오.

## 접지 모니터링 비활성화

- ✓ 중단되거나 누락된 보호 전도체 관련 오류 메시지가 표시창에 나타납니다.
  - ✓ 접지 모니터링에서 충전 프로세스를 중단했거나 충전 프로세스 시작을 막습니다.
    - ⊙ 전원 버튼에 빨간색 불이 켜집니다.
    - 상태 LED가 빨간색으로 켜집니다. 표시창에 오류 메시지가 표시됩니다.
1. 접지 모니터링을 비활성화하려면 **확인**으로 오류 메시지를 확인합니다.
  2. 전원 버튼 **⊙**을 3초 동안 누르고 있습니다.
  3. 접지 모니터링 비활성화를 **확인**으로 확인합니다.
    - ▶ 후속 충전 프로세스에 대해 처리가 비활성 상태를 유지합니다.

## 접지 모니터링 활성화

충전기가 접지 처리된 주 전원 공급 시스템에서 작동하는 경우 접지 모니터링을 활성화합니다.

1. **접지 모니터링** 메뉴를 엽니다(설정 ⚙ ▶ 접지 모니터링).
2. **활성화**를 선택하여 접지 모니터링을 활성화합니다.  
접지 모니터링이 비활성화되면 **접지 모니터링** 메뉴 항목이 **설정 ⚙** 메뉴에 표시되지 않습니다.

## 웹 앱에 로그인

Web Application의 표준 사용을 위해서는 사용자의 홈 사용자 유형을 선택합니다. 고객 서비스 사용자는 추가 설정 옵션을 갖고 있으며, 이는 서비스 용도로 Porsche 공식 서비스 센터를 위해 마련된 것입니다.

✓ 액세스 데이터가 입수되었습니다.

1. **사용자** 필드에서 적절한 사용자를 선택합니다.
2. (액세스 데이터가 수록되어 있는 문서에 나온) 암호를 입력합니다.

## 정보

25분의 무활동 이후에는 사용자가 Web Application에서 자동으로 로그아웃됩니다.

## 웹 앱 열기

각 충전기용으로 특별 제작된 Web Application을 사용하여 기존 충전 프로세스에 대한 추가 구성 옵션 및 자세한 정보를 이용할 수 있습니다.

## 정보

- 사용 중인 브라우저에 따라 Web Application이 바로 열리지 않을 수도 있습니다. 대신, 해당 브라우저의 보안 설정에 대한 알림이 먼저 표시될 수 있습니다.
- Web Application을 열 때 네트워크 키를 입력해야 할 수도 있습니다. 입력 여부는 해당 장치의 운영 체제에 따라 다릅니다.

## 핫스팟을 통해 웹 앱 열기

충전기에서 설정한 핫스팟을 통해 장치(PC, 태블릿 또는 스마트폰)를 사용하여 웹 앱을 열 수 있습니다.

핫스팟을 설정하려면:

- ▶ 504 페이지의 "핫스팟" 장을 참조하십시오.
- ▶ 핫스팟이 활성화되었을 때 Web Application을 열려면 브라우저의 주소 표시줄에 다음 IP 주소를 입력합니다. 192.168.0.1

## WiFi를 통해 웹 앱 열기

Web Application은 충전기와 동일한 홈 네트워크에 로그인된 장치(PC, 태블릿 또는 스마트폰)의 브라우저에서 열 수 있습니다.

- 브라우저의 주소 표시줄에 충전기의 현재 IP 주소를 입력합니다. IP 주소는 **설정 ⚙ ▶ 네트워크 ▶ 네트워크 정보**에 나와 있습니다.  
- 또는 -  
브라우저의 주소 표시줄에 충전기의 호스트 이름을 입력합니다. 액세스 데이터가 포함된 문서에서 호스트 이름을 찾습니다.

▶ 웹 앱에 대한 자세한 정보는 <https://www.porsche.com/international/aboutporsche/e-performance/help-and-contact/>의 설명서를 참조하십시오.

## 웹 앱 사용

### 웹 앱 열기

#### 충전기에 대한 연결 설정

설정하는 동안 충전기가 기존 홈 네트워크(WiFi 또는 Powerline Communication)에 통합된 경우, 할당된 IP 주소를 통해 Web Application에 액세스할 수 있습니다.

네트워크 연결 설정에 대한 정보는 > 509 페이지의 "연결" 장을 참조하십시오..

#### WiFi를 통해 웹 앱 열기

✓ 장치와 충전기는 동일한 WiFi 네트워크에 위치해 있습니다.

1. 브라우저를 엽니다.
2. 브라우저의 주소 표시줄에 (충전기의 **설정 ⚙ ▶ 네트워크 ▶ 네트워크 정보**에서) 구성 중에 할당 받은 IP 주소, 또는 (액세스 데이터가 수록되어 있는 문서에 나온) 충전기의 호스트 이름을 입력합니다.

#### 전력선 통신망을 통해 웹 앱 열기

✓ 장치와 충전기가 PCL 연결을 통해 동일한 네트워크에 있습니다.

1. 브라우저를 엽니다.
2. 브라우저의 주소 표시줄에 (충전기의 **설정 ⚙ ▶ 네트워크 ▶ 네트워크 정보**에서) 구성 중에 할당 받은 IP 주소를 입력합니다.

#### 핫스팟을 통해 웹 앱 열기

또는 핫스팟을 통해서도 연결을 설정할 수 있습니다. 충전기에는 액세스 지점(핫스팟)이 있는데, 이는 암호로 보호되어 있으므로 수동 로그인이 필요합니다. WiFi 가능 엔드 장치를 핫스팟에 연결해서 충전기의 Web Application에 액세스할 수 있습니다. Web Application에서 언제든지 충전기를 홈 네트워크에 통합할 수 있습니다.

- ✓ 충전기가 켜집니다. 충전기가 자동으로 WiFi 핫스팟을 활성화합니다.
- 1. 사용 중인 장치에서 작업 표시줄이나 알림 패널의 네트워크 또는 WiFi 아이콘을 누릅니다.
- 2. 목록에서 WiFi 네트워크를 선택합니다. WiFi 네트워크의 이름은 액세스 데이터가 수록된 문서의 SSID와 동일하며, **ICCPD-#####**의 형식으로 표시됩니다.
- 3. 연결 버튼을 누릅니다.
- 4. **보안 키** 필드에서 보안 코드(액세스 데이터가 수록된 문서에서 **WiFi PSK**로 표시되어 있음)를 입력합니다.
  - ➔ WiFi 네트워크에 대한 연결이 설정됩니다.

참고: Windows 10 운영 체제에서는 먼저 라우터 PIN을 입력하라는 요청을 받습니다. 대신 네트워크 보안 코드를 사용하여 연결 링크를 선택한 다음 코드를 입력합니다.
- 5. 브라우저를 엽니다.
- 6. 브라우저의 주소 표시줄에 다음 IP 주소를 입력합니다. **192.168.0.1**.

### **i** 정보

- 사용 중인 장치가 홈 네트워크에 있는 경우, 핫스팟 IP 주소(192.168.0.1)를 통해, 뿐만 아니라 자동으로 할당되는 충전기의 IP 주소 또는 호스트 이름을 통해서도 더 이상 Web Application에 액세스할 수 없습니다.
- 기존 IP 주소 항목:
    - Web Application: **서비스 ▶ 장치 정보**
    - 충전기: **설정 ⚙ ▶ 네트워크 ▶ 네트워크 정보**
  - 기존 호스트 이름 항목:
    - 액세스 데이터가 포함된 문서
    - Web Application: **서비스 ▶ 장치 정보**

### 웹 앱으로 리디렉션

#### **i** 정보

사용 중인 브라우저에 따라 Web Application이 바로 열리지 않을 수도 있습니다. 대신, 해당 브라우저의 보안 설정에 대한 알림이 먼저 표시될 수 있습니다.

1. 표시된 브라우저 경고 메시지에서 **고급**을 선택합니다.
2. 다음 대화 상자에서 **예외 추가**를 선택합니다.
  - ➔ SSL 인증서가 확인되어 Web Application이 열립니다.

### 충전 이력

여기에서는 충전기의 충전 프로세스가 연대순으로 나열됩니다. 모든 충전 프로세스에 대해 다음 정보가 제공됩니다.

- Time
- 충전 시간
- 소비량
- 비용(전력 관리자가 연결된 경우)
- 사용된 계정(액티브 충전 동안 계정이 선택된 경우)

Web Application은 충전 이력을 Excel 파일 형태로 엑스포트할 수 있는 옵션을 제공합니다.

1. **충전 이력 엑스포트**를 선택합니다.
2. 원하는 저장 위치까지 탐색하고 파일을 저장합니다.

#### **i** 정보

활성화된 각 충전 프로세스에 대해 평가 목적을 위해 선택할 수 있도록 **직장** and **개인** 계정이 제공됩니다. 계정은 충전기에서 현재 **충전 세션**(메뉴 모음의 i 기호)에 대한 정보에서 선택할 수 있습니다. 선택은 다음 충전 세션 중에도 적용되므로 필요한 경우 변경해야 합니다.

### 연결

충전기 웹 앱 관련 정보 및 설정에 액세스하려면 사용 중인 장치와 충전기가 홈 네트워크(WiFi 또는 PLC 연결을 통해)에 있어야 합니다. 웹 앱의 모든 기능은 홈 네트워크의 인터넷 연결을 통해 사용할 수 있습니다.

사용 장소에 사용 가능한 홈 네트워크가 없는 경우, WiFi 핫스팟을 통해 장치(PC, 태블릿 또는 스마트폰)를 직접 충전기에 로그인할 수 있습니다. 하지만, 인터넷 연결이 없는 경우에는 로컬로 설치한 기능만 사용할 수 있습니다.

#### **i** 정보

사용 중인 장치가 홈 네트워크에 있는 경우, 핫스팟 IP 주소(192.168.0.1)를 통해, 뿐만 아니라 자동으로 할당되는 충전기의 IP 주소 또는 호스트 이름을 통해서도 더 이상 Web Application에 액세스할 수 없습니다.

- 기존 IP 주소 항목:
  - Web Application: **서비스 ▶ 장치 정보**
  - 충전기: **설정 ⚙ ▶ 네트워크 ▶ 네트워크 정보**
- 기존 호스트 이름 항목:
  - 액세스 데이터가 포함된 문서
  - Web Application: **서비스 ▶ 장치 정보**

#### **i** 정보

설정 프로세스 중에 핫스팟 모드에서 WiFi 네트워크 연결로 또는 그 반대로 변경한 경우, 다시 로그인해야 합니다.

핫스팟 연결이 활성화된 상태에서는 다시 시작하지 않고도 Powerline Communication을 통해 홈 네트워크로 변경할 수 있습니다.

#### **i** 정보

웹 앱을 사용하는 경우 홈 네트워크에 연결할 수 있는 경우에만 핫스팟 연결을 비활성화하십시오.

- ▶ 원하는 네트워크 연결(핫스팟, WiFi, 전력선 통신망)을 선택합니다.

### 핫스팟

장치를 통한 WiFi 핫스팟을 통해 충전기에 직접 연결할 수 있습니다.

1. **핫스팟 설정**을 선택합니다.
  2. 설정에서, 해당 핫스팟의 네트워크 이름과 보안 코드를 입력합니다.
- ▶ 핫스팟 연결 설정에 대한 정보는 ▶ 508 페이지의 "웹 앱 열기" 장을 참조하십시오..

### WiFi

#### 정보

충전기가 이미 핫스팟을 통해 장치로 연결된 경우에는 동시에 WiFi 네트워크에 대한 연결도 설정할 수는 없습니다. 핫스팟을 먼저 비활성화해야 합니다.

1. WiFi를 활성화합니다.
2. **네트워크에 연결** 옵션을 선택합니다.
3. 목록에서 해당 네트워크를 선택하고 **보안 키**를 입력합니다. **다른 네트워크**: 목록에 없는 네트워크를 사용할 경우에 선택합니다.
4. IP 주소가 자동으로 할당되도록 할 것인지 여부를 선택합니다(권장).
  - ➔ 네트워크에 대한 연결이 설정되면 IP 주소가 표시됩니다.
 목록에서 해당 네트워크 옆에 **연결됨** 상태가 표시됩니다.

### WiFi 네트워크 관리

옵션	설명
<b>다른 네트워크</b>	▶ 사용할 네트워크가 목록에 없는 경우 선택합니다.
<b>기존 네트워크 관리</b>	▶ 저장된 네트워크를 제거하려면 <b>삭제</b> 를 선택합니다. 그러면 충전기가 올바른 네트워크에 있게 됩니다.

### 네트워크에서 분리

1. 현재 연결되어 있는 네트워크를 선택합니다.
2. WiFi 네트워크에서 분리하려면 **연결 끊기**를 선택합니다.

### 데이터 연결 구성

1. 현재 연결되어 있는 네트워크를 선택합니다.
2. 설정을 IPv4 주소와 DNS 서버로 변경하려면 **구성**을 선택합니다.

#### 정보

네트워크 연결에 2.4-GHz 주파수 대역이 사용됩니다. 연결 문제가 발생할 경우, 네트워크 라우터에서 5-GHz 주파수 대역을 비활성화합니다.

### 전력선 통신망

충전기는 WiFi 대신 PLC 연결을 통해 홈 네트워크로 연결할 수도 있습니다. 이를 위해 기존의 주 전원 공급 장치를 사용하여 로컬 네트워크를 데이터 전송에 맞게 설정할 수 있습니다. 충전기가 PLC 네트워크 내의 클라이언트로 등록됩니다.

연결을 설정하기 위해서는 페어링 버튼을 통해 충전기와 PLC 모뎀을 서로에 연결할 수 있습니다. 이 경우, 충전기는 PLC 모뎀과 자동으로 페어링됩니다. 또 다른 연결 방법은 PLC 모뎀에서 충전기의 보안 코드를 입력하는 것입니다.

1. **전력선 통신망(PLC)**을 활성화합니다.
2. PLC 네트워크에 충전기를 추가합니다.
  - **옵션 1**: 페어링 버튼 사용:
    - a. 웹 앱에서 **PLC 푸시 방법으로 연결**을 선택합니다.
    - b. **페어링 시작**을 선택합니다.
    - c. 연결을 설정하려면 2분 이내에 PLC 모뎀의 페어링 버튼을 누릅니다.
    - d. **연결** 버튼을 선택하여 페어링을 확인합니다.
  - **옵션 2**: PLC 보안 코드 입력:
    - a. **PLC 보안 키로 연결 설정** 옵션을 선택합니다. 보안 코드가 표시됩니다.
    - b. 사용 중인 PLC 모뎀의 설정에서 보안 코드를 입력합니다.
      - ➔ 충전기가 PLC 네트워크에 통합되어 연결이 설정됩니다.

### 차량에 PLC 연결

이 기능은 **고객 서비스** 사용자에게만 표시되고 이 사용자만 구성할 수 있습니다. PLC 연결을 비활성화하면, 더 이상 케이블을 통해 차량으로 데이터가 전송되지 않습니다. 예를 들어 특정 측정 시에는 이 모드가 필요합니다.

데이터 전송이 활성화되어 있으면, 충전에서 충전 프로토콜(고급 통신)을 표준으로 사용합니다.

데이터 전송이 비활성화되어 있으면, 충전은 전기 파라미터(펄스 폭 변조)를 기반으로 이루어집니다.

## 전력 관리자 추가

충전 제어 역할을 전력 관리자가 맡도록 하기 위해서는 먼저 충전기(EEBus 장치)와 전력 관리자가 서로에 연결되어 있어야 합니다. 연결은 전력 관리자의 웹 앱과 충전기의 웹 앱(또는 충전기에서 직접) 두 군데 모두에서 설정할 수 있습니다.

### 전력 관리자에서 충전기에 대한 연결 설정

▶ 충전기에 대한 연결 설정 절차는 포르쉐 홈 에너지 관리자에 대한 웹 앱 지침의 "EEBus 장치 추가" 장에 설명되어 있습니다.

### 충전기에서 전력 관리자에 대한 연결 설정

✓ 충전기와 전력 관리자가 동일한 네트워크에 있습니다.

1. 충전기의 웹 앱에서 **연결** ▶ **전력 관리자**까지 탐색합니다.
  - ▶ 해당 전력 관리자가 **이용 가능한 전력 관리자** 목록에 표시됩니다.
2. 전력 관리자를 선택하고 확장합니다.
3. **장치 페어링**을 선택합니다.
  - ▶ 해당 연결에 체크 표시가 됩니다.
4. **연결 설정** 대화 상자에서, ID 번호(SKI)를 한 번 이상 사용하여 전력 관리자의 ID를 점검한 다음 **연결**을 선택합니다.
  - ▶ 전력 관리자가 성공적으로 연결되었고 상태 **전력 관리자 연결됨**이 표시됩니다.

전력 관리자 설정(예: 충전 전류, 과부하 방지, 최적화된 충전 및 요금제 설정대한 정보)이 충전기에 맞게 조정됩니다.

### 전력 관리자에서 분리:

1. 충전기의 웹 앱에서 **연결** ▶ **전력 관리자**까지 탐색합니다.
  - ▶ 연결된 전력 관리자에 상태 **전력 관리자 연결됨**이 표시됩니다.
2. **연결 끊기**를 선택합니다.
  - ▶ 충전기가 전력 관리자에서 분리됩니다.

## 사용자 프로필 페어링

### 정보

데이터를 Porsche ID 계정으로 전송하려면 장치가 인터넷에 연결되어 있어야 합니다.

Porsche ID 계정에서는 충전 프로세스에 대한 정보도 검색할 수 있습니다. 이를 위해서는 충전기를 Porsche ID와 페어링해야 합니다.

1. **사용자 계정 링크** 버튼을 선택합니다.
  - ▶ **사용자 계정 링크** 대화 박스가 열립니다.
2. 인터넷 연결이 있는지 여부에 따라 다음 옵션을 선택합니다("인터넷 연결 옵션" 참조).
3. Porsche ID 계정 웹 사이트에서 로그인 데이터(Porsche ID, 암호)를 입력합니다.

### 인터넷 연결 옵션

옵션	설명
<b>My Porsche 에</b>	<ul style="list-style-type: none"> <li>✓ 웹 앱이 인터넷에 연결되어 있습니다.</li> <li>▶ Porsche ID 계정으로 바로 리디렉션됩니다.</li> </ul>
<b>추가 옵션</b>	<ul style="list-style-type: none"> <li>✓ 웹 앱이 인터넷에 연결되어 있지 않습니다.</li> <li>▶ 사용 중인 모바일 장치에 인터넷 연결이 있을 경우, 표시된 QR 코드를 스캔하거나 표시된 URL을 브라우저에서 수동으로 입력합니다.</li> </ul>

## 설정 시스템

### 데모 모드

이 설정은 고객 서비스 사용자에게만 표시됩니다. 데모 모드에서는 편리하게 충전기의 기능이 표시되고 충전 프로세스가 시뮬레이션됩니다. 데모 모드에서 수행한 설정은 적용되지 않습니다.

✓ **고객 서비스** 사용자가 로그인됩니다.

▶ 기능을 활성화합니다.

다음 번에 Web Application에 로그인하면 데모 모드가 한 번 더 비활성화됩니다.

### 암호 변경

웹 앱에 대한 로그인 암호를 변경할 수 있습니다. 선택한 새 암호가 액세스 데이터가 포함된 문서의 초기 암호를 덮어씁니다.

- ▶ **변경**을 선택하고 새 암호를 입력합니다.

### 장치 보호 활성화

PIN 프롬프트는 충전기를 보호하여 승인되지 않은 사람이 차량을 이 충전기에 연결하는 것을 방지해 줍니다.

1. 기능을 활성화합니다.
2. 4자리 PIN을 입력하고 확인합니다.
3. PIN을 다시 입력하고 확인합니다.
  - ▶ PIN 프롬프트의 활성화가 확인됩니다.

충전기 잠금을 풀려면 이 PIN을 입력합니다.

### 게스트 PIN 활성화

또한, 다른 사용자를 위한 게스트 PIN을 생성할 수도 있습니다.

- ▶ 절차는 장치 보호를 위해 PIN을 할당할 때와 동일합니다.

### 정보

게스트 사용자는 충전기를 구성할 수 없습니다.

### 에너지 소모량 제어

대기 모드를 활성화하면 전기가 절약됩니다. 대기 모드는 충전이 완료된 때부터 즉시 시작됩니다.

- ▶ **대기 모드**를 활성화합니다.
 

장치가 대기 모드에서 나와서 한 번 더 사용할 준비가 되기 위해서는 약간의 시간이 필요합니다.

### 정보

장기간 무활동하면 충전기가 자동으로 대기 모드로 전환됩니다. 먼저, 디스플레이의 밝기가 흐려졌다가, 디스플레이가 꺼집니다. 다시 시작하려면 전원 버튼을 누르십시오.

### 언어 및 국가 입력

필드	설명
언어	Web Application의 언어를 선택합니다.
국가	사용 국가. 구성 설정은 국가에 따라 달라집니다. 실제 사용 장소가 아닌 국가를 입력하면 일부 설정이 사용 불가능할 수 있습니다.

### 날짜 및 시간 입력

필드	설명
날짜 및 시간	네트워크 연결이 있으면, 날짜와 시간은 자동으로 적용됩니다. <b>시간대:</b> 수동으로 선택할 수 있습니다. <b>시간 설정:</b> 네트워크 시간을 참조 정보로 사용할 수 없는 경우 시간을 입력합니다.

### 단위

충전기에서 사용하려는 파라미터와 단위를 선택합니다.

### 장치 표시창

이 설정은 충전기 표시창의 밝기를 결정해 줍니다.

### 충전

#### 그리드 상태

이 설정은 **고객 서비스** 사용자에게만 표시됩니다. 충전기가 여기에 표시된 그리드 상태에 대한 정보를 자동으로 감지합니다.

표시창	설명
주 전원 위상	공급 케이블의 위상 수.
케이블 유형	차량 충전 케이블의 유형. 케이블 유형은 최대 충전 전류 설정에 대한 중요한 정보를 제공합니다.
작동 제한	이 그림은 충전 전력 센서가 다음과 같이 과열로 인해 출력이 감소됨을 나타냅니다. <ul style="list-style-type: none"> <li>- 0: 마이크로컨트롤러 과열</li> <li>- 1: 릴레이 과열</li> <li>- 2: 내부 과열</li> <li>- 3: 인프라 케이블 센서 1 과열</li> <li>- 4: 인프라 케이블 센서 2 과열</li> </ul>

**접지 모니터링**



**위험**

감전, 합선, 화재, 폭발

활성 접지 모니터링 없이 충전기를 사용하면 감전, 합선, 화재, 폭발이 발생하거나 화상을 입을 수 있습니다.

- ▶ 가능한 충전기는 접지 처리를 한 주 전원 공급 시스템 내에서 작동해야 합니다.
- ▶ 접지 처리하지 않은 주 전원 공급 시스템에서만 접지 모니터링을 비활성화하십시오.
- ▶ 접지 처리한 주 전원 공급 시스템에서 접지 모니터링을 활성화하십시오.

접지 모니터링을 활성화 및 비활성화 > 507 페이지의 "접지 모니터링 활성화 및 비활성화" 장을 참조하십시오.

**충전 전류 조절**

차량에 대한 충전 전류가 너무 높으면, 이것이 퓨즈를 작동시켜, 이 퓨즈가 적용되는 영역에서 전진이 발생할 수 있습니다.

전력 관리자가 충전기에 연결되어 있으면 과부하 방지가 충전기의 충전 전류를 모니터링합니다. 홈 네트워크에서 사용할 수 있는 전력 관리자가 없는 경우, 충전기의 최대 전류를 정의해야 합니다.

해당 전기 설비가 대응할 수 있는 최대 충전 전류를 초과하지 않는 충전 전류를 입력해야 합니다.

최대 충전 전류를 결정할 때 다음 사항에 유의하십시오.

- 해당 충전기에 연결된 케이블의 유형
- 이 케이블이나 퓨즈에 연결된 다른 부하 장치

여러 국가에서의 공급 케이블과 그 사용에 대한 정보 501 페이지의 "공급 케이블 선택" 장을 참조하십시오..

**정보**

충전 전력은 전기 회로의 최대 가용 전력보다 높게 설정해서는 안 됩니다.

잘 모르는 경우 전문 전기 기술자에게 문의하십시오.

**정보**

전력 관리자가 연결되어 있는 경우, 이 설정이 입력한 값보다 우선합니다.

- ✓ 차량 케이블이 충전기에 연결됩니다.
- ▶ Web Application,에서 컨트롤러를 사용하여 최소 및 최대 충전 전류를 설정합니다.

**서비스**

**장치 정보 표시**

이 정보는 버전 번호, 시리얼 번호 및 호스트 이름과 같은 충전 데이터를 기반으로 합니다.

오류 메시지 발생 시 Porsche 공식 서비스 센터에서 이 정보를 필요로 합니다.

**총 실행 시간 정보 보기**

표시창	설명
총 에너지 소모량	이 충전기에 대한 모든 이전 충전 세션의 총 에너지 소모량을 표시합니다.
총 충전 시간	이 충전기에 대한 모든 이전 충전 세션의 총 충전 시간을 표시합니다.

**이벤트 메모리 보기**

이 설정은 **고객 서비스** 사용자에게만 표시됩니다. 여기에 표시된 이벤트 로그 정보는 이 시스템 테스트 중에 발생한 오류 메시지와 관련이 있습니다. 액티브 및 패시브 이벤트 로그가 표시됩니다. 액티브 이벤트 또는 오류는 현재 패시브 이벤트와 달리 계속 지속됩니다.

- ▶ 오류 메시지와 시스템 테스트 결과를 보려면 해당 로그를 선택합니다.

**소프트웨어 업데이트 설치**

충전기는 기본적으로 소프트웨어 업데이트가 있는지 검색해서 다운로드합니다. 이 설정은 소프트웨어 업데이트가 자동으로 설치되는지 아니면 수동으로 설치되는지를 결정합니다. **소프트웨어 버전:** 현재 설치되어 있는 소프트웨어 버전을 표시합니다.

**정보**

소프트웨어 업데이트를 찾아서 다운로드하기 위해서는 충전기가 인터넷에 연결되어 있어야 합니다.

**자동으로 업데이트**

이 기능이 활성화되어 있으면 충전기가 소프트웨어 업데이트를 자동으로 설치합니다.

- ▶ **자동 소프트웨어 업데이트**를 선택합니다.

**수동으로 업데이트**

새 소프트웨어 버전이 있으면 대시보드의 장치 상태 알림 메시지가 표시됩니다.

- ✓ **자동 소프트웨어 업데이트**이 비활성화되었습니다.
- ▶ 설치를 시작하려면 **소프트웨어 업데이트 수행**을 선택합니다.

**설정 저장**

구성 설정과 이전에 입력한 데이터는 백업을 사용하여 저장할 수 있습니다. 이 백업 사본을 이용해서 필요한 경우 예를 들어 공장 설정으로 재설정 한 이후 이들 설정을 복원할 수도 있습니다. 백업은 웹 앱에서 수동으로 만듭니다.

암호나 충전 이력 같은 개인 데이터는 백업에 저장되지 않습니다.

**백업 생성**

수동 백업을 통해 데이터를 장치에 저장합니다.



✓ 장치와 충전기는 동일한 네트워크에 위치해 있습니다.

1. **엑스포트**를 선택합니다.
2. 스토리지 위치까지 탐색합니다.
3. 백업 파일을 저장합니다.

**암호 지정:** 암호를 입력합니다.

암호가 데이터를 보호하고 있으므로 백업을 가져오거나 복원할 때 암호를 입력해야 합니다.

### 백업 복원

저장된 백업 파일을 장치에서 충전기로 가져올 수 있습니다.

✓ 장치와 충전기는 동일한 네트워크에 위치해 있습니다.

1. **임포트** 버튼을 선택합니다.
2. 백업 파일까지 탐색해서 선택합니다.
3. 백업 파일 저장 시 사용했던 암호를 입력합니다.

### 출고 시 설정으로 리셋

이 기능을 활성화하면, 모든 개인 데이터와 구성(예: 충전 이력 및 네트워크 설정)이 삭제됩니다. 또한, 모든 암호도 액세스 데이터가 포함되어 있는 문서에 나와 있는 초기 암호로 재설정됩니다.

- ▶ **공장 설정으로 재설정**을 활성화합니다.  
백업을 생성하려면 513 페이지의 "서비스" 장을 참조하십시오.

### **i** 정보

설정이 출고 시 상태로 재설정되면, 다음 번에 시작할 때 설치 마법사가 대부분의 중요한 충전기 설정 과정을 안내해 줍니다.

## 충전 장비

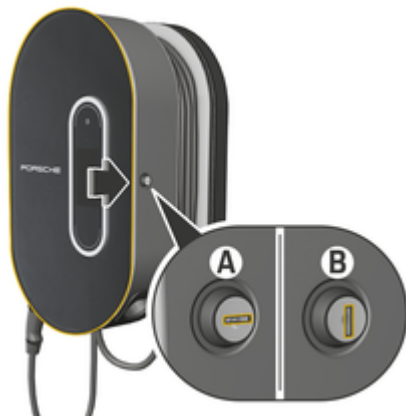


그림 248: 충전 장비

### 충전 장비 열기

- ▶ 충전 장비의 도어를 **화살표 방향**으로 누릅니다. 도어가 자동으로 열립니다.

### 충전 장비 닫기

- ▶ 충전 장비의 도어를 닫고 **화살표 방향**으로 누릅니다.

### 충전 장비 잠금

- ▶ 잠금 장치를 위치 **A**(그림 248) 쪽으로 돌립니다.

### 충전 장비 잠금 해제

- ▶ 잠금 장치를 위치 **B**(그림 248) 쪽으로 돌립니다.

## 컨트롤 유닛을 충전 장비에 장착하기 및 충전 장비에서 분리하기

### 알림

충전기가 손상될 수 있습니다.

- ▶ 도어를 항상 닫으십시오.
- ▶ 도어나 충전 장비 위에 물품을 놓지 마십시오.

### 충전 장비에 컨트롤 유닛 장착

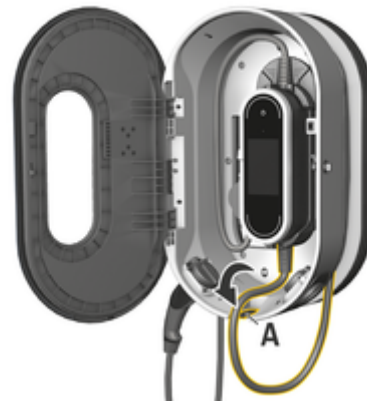


그림 249: 컨트롤 유닛 장착

1. 충전 장비의 도어를 엽니다.
2. 컨트롤 유닛을 충전 장비의 잠금 탭 아래에 배치하고 뒤쪽에서 결합합니다.
3. 차량 케이블을 구멍 **A**(그림 249) 안으로 밀어 넣고 케이블의 남은 부분을 충전 장비에 감습니다.
4. 공급 케이블을 전기 소켓에 삽입합니다.
5. 충전 장비의 도어를 닫습니다.



## 충전 장비에서 컨트롤 유닛 분리

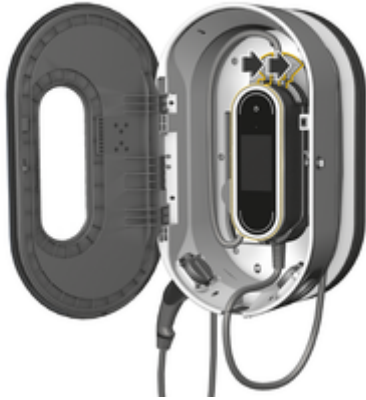


그림 250: 컨트롤 유닛 장착

1. 충전 장비의 도어를 엽니다.
2. 전기 소켓에서 공급 케이블을 분리합니다.
3. 충전 장비에서 차량 케이블을 완전히 풉니다.
4. 잠금 해제 스위치(화살표)를 눌러 장착 장치에서 컨트롤 유닛을 떼어 내고 분리합니다.

## 오작동

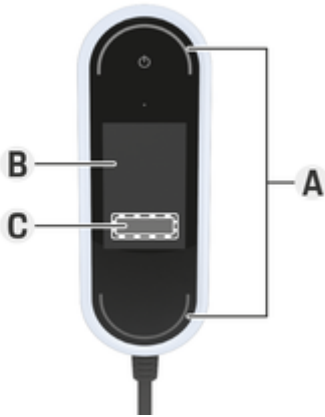


그림 251: 오작동 표시

- A 상태 LED가 빨간색으로 켜짐
- B 오류 메시지 및 원인
- C 해결책

다음 개요에는 차량 충전을 제한하거나 막는 오작동의 처리에 대한 권장 사항이 있습니다.

결함 또는 오작동 시 충전기의 표시창에 해당 메시지가 표시됩니다. 상태 LED 및 전원 버튼이 빨간색으로 켜집니다. 메시지에는 오류에 대한 세부 정보, 원인에 대한 정보 및 조치가 표시됩니다.

- ▶ 조치는 제공된 지침을 준수하십시오.

### 알림

충전기가 손상될 수 있습니다.

- ▶ 결함이 계속되거나 다시 발생하면 충전기를 주 전원 공급 장치에서 분리하고 전문 전기 기술자에게 문의하십시오. Porsche에서는 Porsche 공식 서비스 센터 이용을 권장합니다.

상황	권장 조치
표시창(화면, 상태 LED, 전원 버튼)이 완전히 작동을 멈췄습니다.	<ul style="list-style-type: none"> <li>▶ 충전기를 주 전원 공급 장치에서 분리하고 교체하십시오.</li> <li>▶ 전문 전기 기술자에게 가정용 설비를 점검 받으십시오.</li> </ul>
표시창이 비어 있으며, 상태 LED의 색이 변경되지 않고 전원 버튼에 빨간색 불이 켜집니다.	<ul style="list-style-type: none"> <li>▶ 충전기가 과열되었습니다. 주 전원 공급 장치에서 충전기를 분리하고 천천히 자체 냉각되도록 그대로 두십시오.</li> <li>▶ 오류가 계속되면 충전기를 교체하십시오.</li> </ul>
작동이 제한되거나 충전할 수 없습니다(표시창의 메시지).	<ul style="list-style-type: none"> <li>▶ 공급 케이블 및 차량 케이블이 컨트롤 유닛의 정확한 곳에 연결되어 있으며 연결부에 정확하게 연결되어 있는지 확인하십시오.</li> <li>▶ 충전기가 허용된 온도 범위 내에 있는지 확인하십시오.                     <ul style="list-style-type: none"> <li>▷ 521 페이지의 "기술 데이터" 장을 참조하십시오.</li> </ul> </li> <li>▶ 표시되는 모든 오류 메시지를 확인합니다.</li> <li>▶ 충전기를 다시 시작합니다. 전원 버튼을 10초 이상 눌러 다시 시작하십시오.</li> </ul>

상황	권장 조치
충전 전류가 너무 낮습니다(표시창의 메시지).	▶ 홈 네트워크에 과부하가 걸렸습니다. 전기 부하가 더 많은 다른 장치를 끕니다.
주 전압이 너무 높습니다(표시창의 메시지).	▶ 전문 전기 기술자에게 가정용 설비를 점검 받으십시오.
충전기가 허용된 온도 범위 내에 있지 않습니다(표시창의 메시지).	▶ 장치의 온도 스위치를 끕니다. 직사광선을 피하고 충전기가 천천히 자체 냉각되도록 그대로 두십시오. ▶ 낮은 온도 스위치를 끕니다. 사용하기 전에 따뜻한 곳에서 충전기를 따뜻하게 만듭니다. ▶ 장치 온도 센서 고장입니다. 충전기를 교체하십시오.
가정용 설비의 회로 차단기가 작동했습니다(표시창의 메시지).	▶ 충전기의 설정에서 충전 전류를 줄입니다. ▶ 표시되는 모든 오류 메시지를 확인합니다.
충전 중단이 다음과 같이 표시됩니다. ▶ Ⓞ전원 버튼에 흰색 불이 켜짐 ▶ ○상태 LED가 파란색으로 깜박입니다. ▶ 표시창이 켜집니다.	▶ 차량이 자동으로 다시 충전되기 시작할 때까지 기다립니다. ▶ 충전은 차량에서 중지할 수 있습니다.

## 운송

### ⚠ 경고

고정되지 않은 적재물

고정하지 않았거나, 잘못 고정했거나, 부적절한 위치에 있는 충전기는 제동, 가속, 방향 변경 또는 사고 발생 시 제자리에서 떨어져 나와 승객을 다치게 할 수 있습니다.

- ▶ 고정되지 않은 상태에서 충전기를 운송하지 마십시오.
- ▶ 충전기는 항상 트렁크에 놓고 운송하십시오. 절대 승객석(예: 시트 위 또는 앞)에 놓아서는 안 됩니다.

### 운송 시 충전기 고정

차량 종류에 따라 충전기를 운송 케이스에 담아서 운송해야 할지가 결정됩니다.

- ▶ 운송 케이스가 제공되는 경우: 항상 충전기를 케이스에 적재하고 운송하십시오. 운송 케이스를 전면 및 후면 고정 고리에 후크로 부착합니다.  
트렁크 고정 고리에 대한 자세한 정보:  
▷ 사용 설명서를 참조하십시오.
- ▶ 운송 케이스가 제공되지 않는 경우: 충전기를 운송용 후방 트렁크에 넣어 보관하십시오.
- ▶ 차량 종류에 따라 위험한 상황에서 탑승자가 위험해지지 않도록 충전기를 넣으십시오.

## 세척 및 유지보수

정기적으로 충전기가 손상되었거나 오염되었는지를 점검하고 필요한 경우 청소하십시오.



**위험**

감전, 화재

화재나 감전으로 인해 심각하거나 치명적인 부상의 위험이 있습니다.

- ▶ 충전기 또는 플러그를 물에 담그거나 물을 바로 분사 (예: 고압 세차기 또는 정원용 호스 사용)하지 마십시오.
- ▶ 컨트롤 유닛을 주 전원 공급 장치 및 차량에서 완전 분리한 경우에만 충전기를 청소하십시오. 마른 천으로 닦습니다.

### 폐기

전기/전자 장치는 수거 장소 또는 폐기물 관리 시설에 인계해야 합니다.

- ▶ 전기/전자 장치를 가정용 쓰레기로 버리지 마십시오.
- ▶ 전기/전자 장치는 관련 환경 보호 규정에 따라 폐기하십시오.
- ▶ 폐기에 대해 궁금한 사항은 Porsche 공식 서비스 센터에 문의하시기 바랍니다.

## 기술 데이터

전기 데이터 9Y0.971.675...	BS MCC72S1 A <sup>1)</sup>
출력	7.2kW
정격 전류	32A
입력 전압	100 - 240V 단상 380V 3상
출력 전압	100 - 240V 단상
상	1
주 전원 주파수	50Hz/60Hz
과전압 범주(IEC 60664)	II
통합 누전 차단기	유형 A(AC: 30 mA) + DC: 6 mA
보호 등급	I
보호 등급	IP55(미국: 인클로저 3R)
변속기 주파수대	2.4GHz, 5GHz
송전 전력	20dBm

## 기술 데이터

기계 데이터 9Y0.971.675...	BS MCC72S1 A <sup>1)</sup>
컨트롤 유닛의 중량	2.54kg
차량 케이블의 길이	2.5m 또는 7.5m
공급 케이블의 길이	0,3 m

<sup>1)</sup> A는 보류 중인 디자인 변경을 나타내며 임의의 문자일 수 있습니다.

기본 벽걸이 장착 장치용 기계 데이터 9Y0.971.675...	BS MCC72S1 A <sup>1)</sup>
기본 벽걸이 장착 장치의 치수	385mm x 135mm x 65mm(길이 x 너비 x 높이)
기본 벽걸이 장착 장치의 무게	약 0.45kg
케이블 가이드 치수	127mm x 115mm x 139mm(길이 x 너비 x 높이)
케이블 가이드의 무게	약 0.42kg
커넥터 잠금 장치 치수	136mm x 50mm x 173mm(길이 x 너비 x 높이)
커넥터 잠금 장치의 무게	약 0.14kg
전체 기본 벽걸이 장착 장치의 무게	약 1kg



<b>충전 장비용 기계 데이터 9Y0.971.675...</b>	<b>BS</b> <b>MCC72S1 A<sup>1)</sup></b>
충전 장비 치수	373mm x 642mm x 232mm(너비 x 높이 x 깊이)
충전 장비의 무게	약 9.7kg
<b>주변 및 보관 조건 9Y0.971.675...</b>	<b>BS</b> <b>MCC72S1 A<sup>1)</sup></b>
주변 온도	-30°C ~ +50°C
습도	5% - 95% 비응축
고도	최대 해발 5,000m

<sup>1)</sup> A는 보류 중인 디자인 변경을 나타내며 임의의 문자일 수 있습니다.

### 차량 인식판

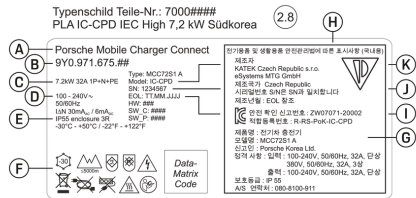


그림 252: 차량 인식판(예)

- A** 제품명
- B** 품목 번호
- C** 전력 및 정격 전류
- D** 주 전압
- E** 보호 등급

- F** 작동 그림
- G** 인증 정보
- H** 제조업체
- I** 제조 날짜
- J** 시리얼 번호
- K** 유형 표시

### 생산 정보

#### 제조 날짜

충전기 제조 날짜는 차량 인식판의 "EOL i.O." 약어 뒤에서 찾을 수 있습니다.

다음 형식으로 표시되어 있습니다. 생산 일.생산 월.생산 연도

#### 충전기 제조업체

eSystems MTG GmbH  
Bahnhofstraße 100

73240 Wendlingen  
독일

#### 전기 시험

충전 인프라(예: VDE 0702)의 정기 전기 점검에 대해 궁금한 점이 있으시면 <https://www.porsche.com/international/accessoriesandservice/porschesevice/vehicleinformation/documents/> 또는 포르쉐 공식 서비스 센터에 문의하십시오.

#### 규정 준수 선언

충전기에 라디오 시스템이 있습니다. 이러한 라디오 시스템 제조업체에서는 이 라디오 시스템이 2014/53/EU 지침에 따라 사용할 수 있는 사양을 준수한다고 선언합니다.

EU 적합성 선언의 전문은 다음의 인터넷 주소를 참조하십시오.

## 기술 데이터

▷ <http://www.porsche.com/international/accessoriesandservice/porscheservice/vehicleinformation/documents>

## 색인

## ㄱ

경보 구조	488
계정 입력	511
공구	498
공급 범위	493
공급 케이블	501
가정용 전기 콘센트	502
산업용 전기 콘센트	502
공급 케이블 및 차량 케이블 변경	502
규정 준수 선언	523
그림	490
기본 벽걸이 설치	498
기술 데이터	
기계 데이터	521
벽 브래킷 베이스 기계 데이터	521
전기 데이터	521
충전 도크 기계 데이터	521

## ㄴ

네트워크 선택	503
네트워크 연결 설정	
전력선 통신망(PLC)	510
핫스팟	510
WiFi	510

## ㄷ

데이터 보호 공지	490
데이터 전송	503

## ㄹ

본 사용 설명서에서 사용되는 기호	488
--------------------	-----

## ㅁ

사용 설명서의	
데이터 보호 공지	490
자세한 정보	490

사용자 프로필 페어링	504, 511
생산 정보	523
설치 어시스턴트	505
설치 위치 선택	497
소프트웨어 업데이트	503
시리얼 번호	523
시작	503

## ㅇ

안전 지침	491
액세스 데이터	493
웹 앱	494
충전기의 일련 번호	494
액세스 데이터 손실	493
언어 및 국가	503
연결	

전력 관리자	504
핫스팟	504
PLC 보안 코드	503
PLC 페어링 버튼	503
WiFi	503

오작동	516
올바른 사용	492
운송, 충전기 고정	518
운송을 위해 고정	518
웹 앱	

암호 변경	494
암호 분실	494
열기	508
작동 개시	504
초기 암호	494
핫스팟	508
WiFi	508

## ㅋ

자세한 정보	490
작동 지침	506
장치 보호	504
전기 고정 연결	521

전력 관리자	504
보충	511
충전 전류 조절	504
페어링	511

접지 모니터링	
비활성화	507
활성화	508
정기 점검	519
제조 날짜	523
제조업체	523
주변 및 보관 조건	521

## ㄴ

차량 인식판	523
차량 충전 케이블	
케이블 및 플러그 유형	501

차량 충전 포트	506
청소	519

총 에너지 소모량	
현재 충전 세션	505

충전 도크 설치	
스페이서를 사용하여 설치	499
스페이서를 사용하지 않고 설치	500

충전 상태	505
충전 세션 중 에너지 소모량	505
충전 시간	506

충전 이력 엑스포트	509
충전 장비	514

닫기	514
열기	514
잠금	514
잠금 해제	514

충전 장비에 컨트롤 유닛 장착	514
충전 장비에서 컨트롤 유닛 분리	514

충전 전류 제한	507
충전 전류 조절	504

충전 전원	
보기	505

## 색인

충전 케이블	
케이블 및 플러그 유형.....	501
충전 프로세스:	
보기.....	509
에너지 소모량.....	509
충전기	
연결.....	508
장치 상태.....	505
초기 암호.....	493
충전 상태.....	505
충전 전원.....	505
픽토그램.....	490
충전기 판매.....	494
충전기 품목 번호.....	521
충전기에 로그인.....	505
충전기의 일련번호.....	494
<b>ㄱ</b>	
커넥터 잠금 장치 설치.....	498
컨트롤 옵션.....	496
컨트롤 유닛.....	494
벽걸이 장착 장치에 부착.....	499
연결 개요.....	494
표시창.....	495
케이블	
고정.....	503
분리.....	502
<b>ㄷ</b>	
폐기.....	520
표시창	
메뉴 모음.....	496
상태 표시줄.....	495
언어 및 국가.....	503
탐색.....	496
필요한 도구.....	498
<b>ㅎ</b>	
핫스팟.....	504
설정.....	510

현재 충전 세션.....	505
호스트 이름.....	509
홈 네트워크.....	503
호스트 이름.....	509
IP 주소.....	509

## D

DNS 서버 구성.....	510
----------------	-----

## I

IP 주소.....	509
IPv4 주소 구성.....	509

## P

PIN 및 PUK	
분실.....	493
암호 변경.....	493
PIN 프롬프트 설정.....	504
Porsche ID.....	494
Porsche ID 페어링.....	504

## W

WiFi 네트워크	
관리.....	510
분리.....	510
연결.....	510
일 수 없는 네트워크.....	510

# 关于本《驾驶手册》

## 警告和符号

本《驾驶手册》中包含各种不同类型的警告和符号。



**危险**

严重或致命伤害

未遵守“危险”类别中的警告会导致严重或致命的人身伤害。



**警告**

可能造成严重或致命伤害

未遵守“警告”类别中的警告可能会导致严重或致命的人身伤害。



**小心**

可能造成中度或轻度伤害

未遵守“小心”类别中的警告可能导致中度或轻度的人身伤害。

**提示**

可能造成车辆损坏

未遵守“注释”中的警告可能导致车辆损坏。



**信息**

附加信息以“信息”字样指示。

- ✓ 为使用某一功能而必须满足的条件。
  - ▶ 您必须遵守的说明。
  - 1. 如果某个说明由若干步骤构成，则会对这些步骤进行编号。
  - 2. 中央显示屏上必须遵循的说明。
- ▷ 有关您可以查找与某一主题相关的进一步重要信息的提醒。

## Deutsch

### 有关《驾驶手册》

图标含义.....	529
数据隐私信息.....	529
更多信息.....	529

### 安全

安全指南.....	530
正确使用.....	531

### 交货范围

访问数据.....	532
-----------	-----

### 概览

控制单元上的连接.....	533
充电器控制单元.....	533
显示面板显示和控件.....	534

### 选择安装位置..... 536

### 所需工具..... 537

### 安装

安装壁挂支架.....	537
不带隔板安装.....	538
带隔板安装.....	539

### 设置

车辆充电电缆和电源电缆.....	540
初始操作和配置.....	541
通过网页应用程序启动.....	542
登录到充电器.....	543
充电器上的启动设置.....	543
概览.....	543

### 操作

操作说明.....	544
充电.....	544
登录网页应用程序.....	546

使用网页应用程序.....	546
充电盒.....	552

### 故障..... 554

### 运输..... 556

### 清洁和保养..... 557

### 弃置..... 558

### 技术数据

标识牌.....	561
生产信息.....	561

### 索引..... 562

## 有关《驾驶手册》

### 图标含义

根据不同的国家/地区，充电器可能附带各种图标。



在  $-30^{\circ}\text{C}$  至  $+50^{\circ}\text{C}$  的温度范围内使用充电器。



不得在海拔超过 5,000 m 的地方使用充电器。



充电器配备非交换保护导体。



充电器配备交换保护导体。



按照所有适用的弃置法规，对充电器进行弃置。



请勿使用延长电缆或电缆卷筒。



请勿使用（旅行）适配器。



不要使用多个插座。



请勿将充电器与受损的电子设备或连接电缆一同使用。



使用不当可能会造成触电危险。



遵循所提供的使用说明书，特别是警告和安全说明。



充电器的表面会变得非常烫。



请勿在未接地的电源系统（例如 IT 网络）中使用充电器。仅在接地的电源系统中使用它。



仅在单相网络中使用充电器。



充电器需要交流电源。



表示电压范围  $\leq 250\text{ VAC}$  的 1 型插头。



表示电压范围  $\leq 480\text{ VAC}$  的 2 型插头。

### 数据隐私信息

为了确保您的保时捷充电设备能够正确通信并始终保持最新状态，保时捷将定期从充电设备收集和处理以下特定于设备的加密数据：设备 ID、品牌、世代、设备类型和软件版本。

如果您还愿意选择对充电设备使用其他保时捷智慧互联 (Porsche Connect) 服务，则必须将您的充电设备与您的保时捷 ID 帐户（所选市场中的保时捷智慧互联模组 (Porsche Connect) 分销商可提供该帐户）配对。在使用保时捷智慧互联 (Porsche Connect) 服务期间，保时捷会收集和處理以下个人详细信息和其他特定于设备的数据以提供这些服务：客户身份、统计数据、充电过程信息、状态、连接状态和上次建立通信时的时间戳。有关业务一般条款和条件以及数据隐私政策的详细信息，请访问 [www.porsche.com/connect-store](http://www.porsche.com/connect-store)。

由您的充电设备进行的定期数据传输可能会导致您的互联网服务提供商收取额外费用。使用 My Porsche 可以永久删除存储在保时捷的数据。由于技术或法律限制，保时捷充电设备的某些保时捷智慧互联 (Porsche Connect) 服务不是在所有国家/地区均可用。

### 更多信息

您将在 <https://www.porsche.com> 上的“E-Performance”（E 驱高效动力）版块中找到有关充电器和 Web Application 的更多信息。

## 安全 安全指南

### ⚠ 危险

触电、短路、起火、爆炸

以下情况会导致短路、触电、爆炸、起火或烧伤：使用受损或有故障的充电器和电源插座；不恰当地使用充电器；未能遵守安全指南。

- ▶ 只能使用由保时捷认可和提供的附件（如电源和车辆电缆）。
- ▶ 请勿使用受损和/或脏污的充电器。在使用之前，先检查电缆和插头是否存在受损和脏污的情况。
- ▶ 仅将充电器连接到安装正确且完好无损的电源插座和无故障的电源装置。
- ▶ 请勿对任何电气部件进行改造或维修。
- ▶ 只能由专家纠正故障和进行维修。

### ⚠ 危险

触电、起火

如果充电器安装不正确，当通过车辆充电口对高压蓄电池充电时，会造成触电或起火。

- ▶ 只能由有资质的电工执行电源测试以及充电器的安装和初次运行工作。电工对遵守相关标准和规定负有全部责任。保时捷建议您选择经认证的保时捷服务合作伙伴。
- ▶ 必须根据电线长度以及当地适用的法规和标准来确定电源插座的电源电缆横截面。
- ▶ 用于充电的电源必须连接配有独立保险丝且符合当地法律规定和标准的电路。
- ▶ 在无人监控的情况下进行充电时，未经授权的人员（如玩耍中的儿童）或动物不得接触到充电器和车辆。
- ▶
  - ▷ 务必阅读安装手册和《驾驶手册》中的安全指南。

### ⚠ 危险

触电、起火

对插头触点操作不当会导致触电或起火。

- ▶ 请勿触摸车辆充电口和充电器的触点。
- ▶ 请勿将任何物体插入车辆充电口或充电器。
- ▶ 对电源插座和插头进行保护，避免接触湿气、水及其他液体。

### ⚠ 警告

易燃或易爆的蒸汽

充电器的部件可能会产生火花，进而引燃易燃或易爆的蒸汽。

- ▶ 为了降低爆炸（尤其在车库中）的风险，请确保充电时控制单元至少离地面 50 cm。
- ▶ 不要在具有潜在爆炸危险的气体环境中安装充电器。

请遵循以下说明和建议，以确保通过充电器实现无间断充电：

- 安装新的电源插座时，请选择具有最大功率的工业电源插座（针对家用电气装置进行改进）并由有资质的电工进行操作。保时捷建议您选择经认证的保时捷服务合作伙伴。
- 在技术和法律允许的范围内，该电源装置必须采用特定尺寸，以便使用的电源插座的最大标称功率可用于车辆充电。
- 安装之前应对其进行检查，以确保可以持续向当前可用的家用电源装置提供给车辆充电所需的功率。必要时，可使用能量管理系统来保护家用电源装置。
- 充电器应在正确接地的电源系统中工作，保护导体必须正确安装。
- 如果对家用电源装置不确定，请联系有资质的电工。保时捷建议您选择经认证的保时捷服务合作伙伴。
- 如果您打算将充电器与光伏系统配合使用，请联系保时捷中心。
- 为了充分利用充电器并确保车辆快速充电，请使用符合 IEC 60309 标准且适合电源插头的最高额定电流的 NEMA 电源插座或工业电源插座。
- 在通过家用/工业电源插座给高压蓄电池充电时，电源装置的载荷可能会达到其最大容量。保时捷建议您请有资质的电工定期检查用于充电的电源装置。请有资质的电工定期检查您的装置。保时捷建议您选择经认证的保时捷服务合作伙伴。
- 在交付时，自动限制充电电流以防电源装置过热。请有资质的电工将充电器投入使用并根据家用装置设置充电电流限制。
  - ▷ 请参阅第 545 页的“充电电流限制”一章。



## 正确使用

采用模式 2 充电并集成了控制和保护功能的充电器，用于为符合电动车辆普遍适用的标准和指令的高压蓄电池车辆充电。

- ▶ 请务必使用适合当地电源的设备型号。
  - ▷ 请参阅第 559 页的“技术数据”一章。

只能将充电器作为包括电源电缆、控制单元和车辆电缆的组合使用。

适合在户外使用。

## 交货范围

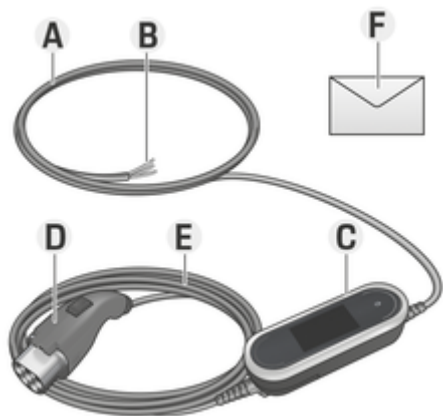


图 253: 交货范围

- A** 电源电缆（可从控制单元上分离）
- B** 连接到电源的接头
- C** 操作控制单元
- D** 车辆插头（车辆的连接器插头）
- E** 车辆电缆(国家/地区专用：可互换或固定到操作控制单元上)
- F** 包含访问数据的信函

### **i** 信息

使用固定连接时，必须在前置电网中安装合适的单独保险丝或过电流保护装置（参见安装说明）。

### **i** 信息

选装部件：提供各种壁挂支架以用于充电器（取决于国家/地区），例如基本壁挂支架或充电盒。

## 访问数据

设备随附了一封包含访问数据的信件，其中包含使用充电器和 Web Application 所需的所有数据。

- ▶ 妥善保管包含访问数据的信件。

### **i** 信息

如果丢失在交付设备时生效的访问数据（如预设的 PIN 和初始密码），请联系保时捷中心。

- 准备好充电器的序列号。
  - ▶ 请参阅第 533 页的“充电器的序列号”一章。

具有访问数据的信件包含以下数据：

名称	含义
序列号	充电器的序列号
WiFi MAC	WiFi 接口的 MAC 地址
GRID MAC	家用 PLC 接口的 MAC 地址
车辆 MAC	车辆 PLC 接口的 MAC 地址
WiFi SSID	- WiFi 接入点的 SSID - 主机名
WiFi PSK	网络密钥
家庭用户密码	网页应用程序的家庭用户初始密码
客户服务密码	网页应用程序的初始客户服务密码

名称	含义
PIN 码	个人识别号
PUK	个人解锁密钥

### **i** 信息

主机名由以下元素组成：

充电器 + 序列号（示例：  
MobileChargerConnect-1234567）

### **i** 信息

安全字段包含所需的访问代码（PIN 和 PUK）。该字段通过特殊的油墨来遮盖这些代码。只有在用流动的水润湿该字段后，墨水才会褪色，使代码可见。

在弄湿该字段时，请勿揉擦，以免损毁代码。

## PIN 和 PUK

PIN 和 PUK 用于解锁充电器。

- ▶ 如果丢失或忘记自己设置的 PIN，请输入 PUK 解锁充电器并设置新的 PIN。
- ▶ 如果丢失或忘记 PUK，请联系保时捷中心。

## 网页应用程序密码

密码用于登录 Web Application。

在使用初始密码时：

- ▶ 如果丢失或忘记了初始密码，请联系保时捷中心。

在使用自己设置的密码时：

- ▶ 如果丢失或忘记自己设置的密码，请将充电器恢复到出厂设置，并重新激活初始密码（设置 ▶ 出厂设置）。

## 充电器的序列号

在以下位置可以找到充电器的序列号：

- 在包含访问数据的信函中的“序列号”后面
- 在铭牌（位于控制单元背面）上的“SN”缩写后面
- 在充电器上：设置 ⚙️ ▶ 保养 ▶ 设备信息
- 在网页应用程序中 Web Application：设置 ▶ 保养 ▶ 信息

## 保时捷 ID

当充电器与保时捷 ID 配对时，在 My Porsche 和 Porsche Connect App 中可以显示充电器和充电过程的相关信息。

如果您不再使用充电器，例如当您转售它时：

1. 将充电器与您的保时捷 ID 取消配对（设置 ⚙️ ▶ 用户配置文件）。
2. 将充电器恢复到出厂设置（设置 ⚙️ ▶ 出厂设置）。

## 概览 控制单元上的连接



图 254: 控制单元上的连接

- A** 电源电缆  
**B** 车辆电缆

连接电缆 **A** 可以取下并插在控制单元顶部。  
车辆电缆 **B** 已取下并插在控制单元底部。

## 充电器控制单元

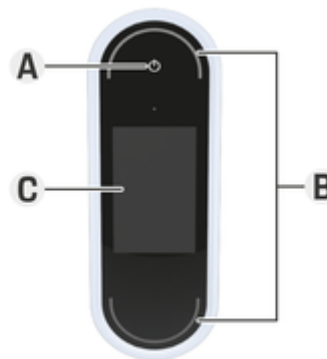


图 255: 控制单元

- A** 电源按钮 ⏻  
**B** 状态 LED ○  
**C** 显示

使用电源按钮 **A**（图 255）可以开启和关闭充电器。

状态 LED **B**（图 255）显示充电器的状态。

显示屏 **C**（图 255）上显示与充电器的通信，例如信息和错误消息。

## 显示面板显示和控制

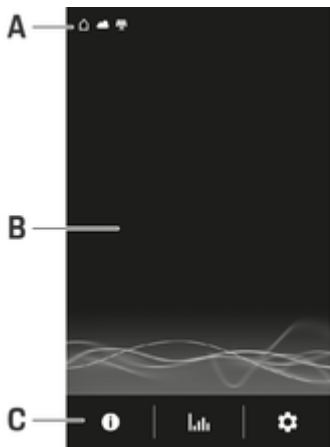


图 256: 充电器显示屏

- A 状态栏  
B 信息区域  
C 菜单栏

亮度传感器控制显示屏的亮度。亮度会根据环境照明条件自动调节。

## 状态栏

状态栏会显示各种符号。  
以下概览列出了状态栏中各种符号的含义。

符号	含义
	WiFi 连接可用
	服务器连接可用
	下载软件
	PLC 网络连接可用
	热点已启用
	已在车辆中启用充电配置文件。该配置文件已按照设置加载。
	光伏系统已连接

## 状态栏

状态栏会显示各种符号。  
以下概览列出了状态栏中各种符号的含义。

符号	含义
	WiFi 连接可用
	服务器连接可用
	下载软件
	PLC 网络连接可用
	热点已启用

符号	含义
	接地监控器已禁用 (加拿大、墨西哥)
	充电器已连接至电源管理器
	已在车辆中启用充电配置文件。该配置文件已按照设置加载。
	光伏系统已连接
	信息

根据它们的重要性，某些符号会重叠，因此不可见（例如，按优先级从低到高排列的符号是 PLC 网络 < WiFi 连接 < 电源管理器）。

## 菜单栏

菜单栏会显示各种符号。  
以下概览列出了菜单栏中各种符号的含义。

符号	含义
	显示有关当前充电过程的信息
	显示充电历史记录
	配置设置
	有可用的软件更新。

## 控制选项

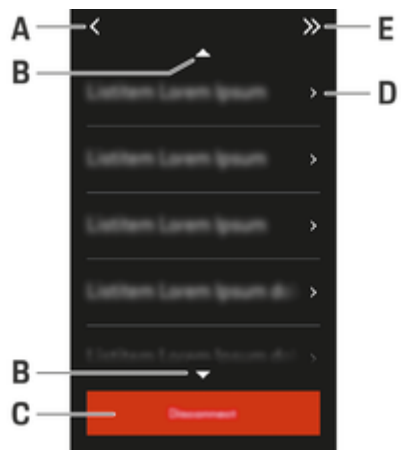


图 257: 控制选项

- A 返回
- B 向上/向下
- C 操作
- D 详情
- E 跳过

### 选择安装位置



危险

触电、起火

对充电器使用不当或是违背安全指南都可能导致短路、触电、爆炸、起火或烧伤。

- ▶ 请勿在具有潜在爆炸危险的区域安装基本壁挂支架或充电盒。
- ▶ 在安装基本壁挂支架和充电盒前，请确保在要钻的安装孔附近没有电缆。
- ▶ 为了降低爆炸（尤其在车库中）的风险，请确保充电时控制单元至少离地面 50 cm。
- ▶ 请遵守当地适用的电气安装规程、防火措施、事故预防规定和安全撤离路线。

基本壁挂支架和充电盒适合室内和室外安装。在选择适当的安装位置时，必须考虑以下条件：

- 最好在免受阳光直射和雨淋的受遮挡区域（例如，在车库中）安装电源插座和电源管线、基本壁挂或充电盒。
- 应该遵从本国的法规和标准选择电源插座距地板和天花板的距离，以便确保使用舒适。
- 请勿在悬挂的物体下方安装基本壁挂支架或充电盒。
- 请勿在马厩、饲养家畜的建筑物或产生氨气的地方安装基本壁挂支架或充电盒。
- 在光滑的表面上安装基本壁挂支架或充电盒。
- 为了确保牢固固定，请在安装前检查墙壁的状况。
- 在尽可能靠近车辆的首选停车位置安装基本壁挂支架或充电盒。将车辆朝向考虑在内。

- 请勿在道路附近安装基本壁挂支架或充电盒，并且电源电缆不应横跨任何道路。
- 在安装基本壁挂支架或充电盒时，电源插头和电压插座之间的距离不得超过现有电源电缆的长度。

## 所需工具

- 水平仪
- 电钻或锤钻
- 螺丝刀

## 安装

### 安装壁挂支架

#### 安装基本壁挂支架

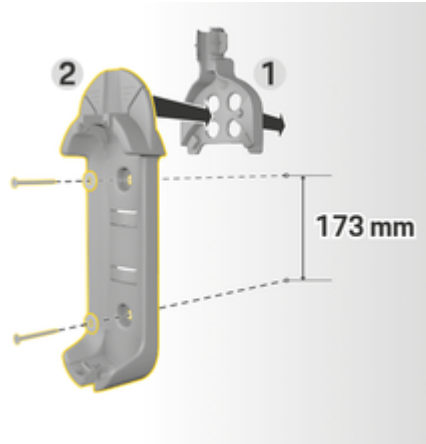


图 258: 钻孔尺寸

1. 在墙上标记钻孔。
2. 钻出安装孔并且插入墙上插头。
3. 将基本壁挂支架 2 (图 258) 从前面按入电缆线路导件 1 (图 258) 中。
4. 将基本壁挂支架通过螺钉固定到墙壁上。

## 安装接头固定器

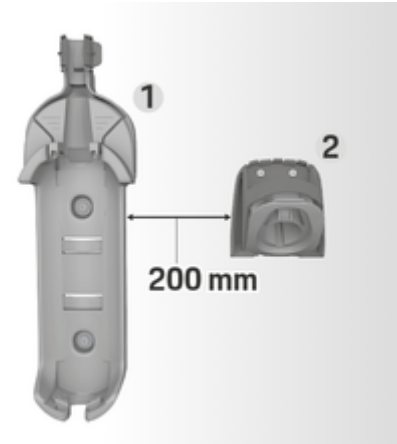


图 259: 壁挂支架和接头固定器之间的距离

在安装接头固定器时，请确保与基本壁挂支架保持 200 mm 的距离。

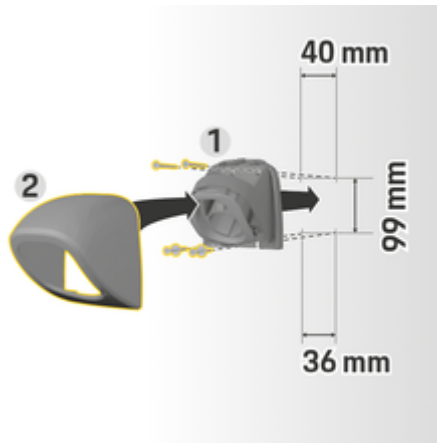


图 260: 钻孔尺寸

1. 将接头固定器 1 (图 260) 从盖子 2 (图 260) 上拆下。
2. 在墙上标记钻孔。
3. 钻出安装孔并且插入墙上插头。
4. 将接头固定器 1 (图 260) 拧到墙壁上。
5. 将盖子 2 (图 260) 从下方安装到接头固定器 1 (图 260) 上, 并且向上推。

### 将控制单元连接到壁挂支架



图 261: 连接控制单元

1. 将车辆电缆穿过基本壁挂支架的下部开口, 然后将控制单元的底部放置在锁止片上并向后推以接合。
2. 将电源电缆穿过基本壁挂支架的上部开口, 并将挡圈推到左侧以将其锁定。
3. 将车辆插头插入接头固定器。

### 不带隔板安装

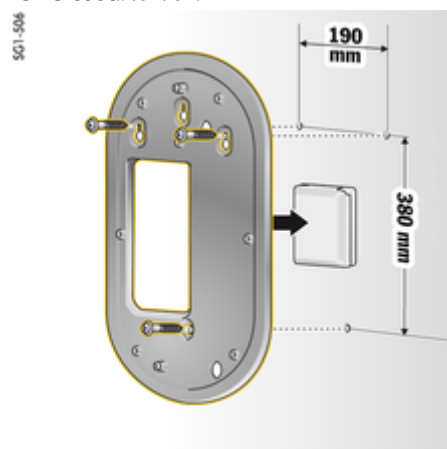


图 262: 钻孔尺寸

1. 在墙上标记钻孔。
2. 钻出安装孔并且插入墙上插头。
3. 将装配板通过螺钉固定到墙壁上。



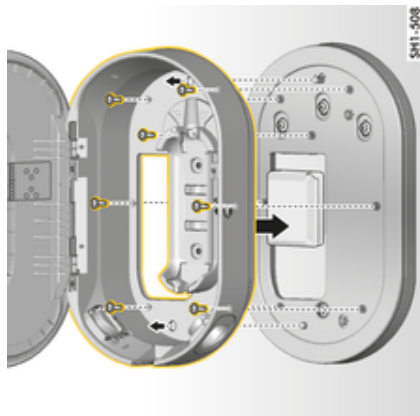


图 263: 将充电盒通过螺钉固定到装配板上

4. 将充电盒通过螺钉固定到装配板上。

### 带隔板安装

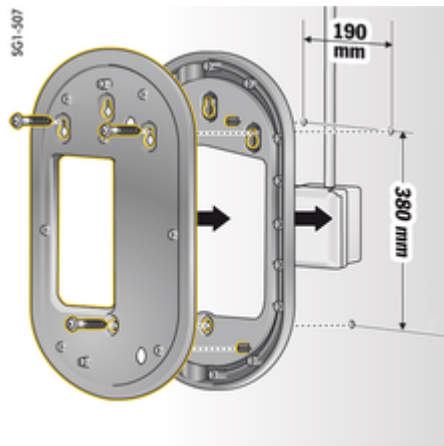


图 264: 钻孔尺寸

1. 在墙上标记钻孔。
2. 钻出安装孔并且插入墙上插头。
3. 将装配板和厚垫片通过螺钉固定到墙壁上。

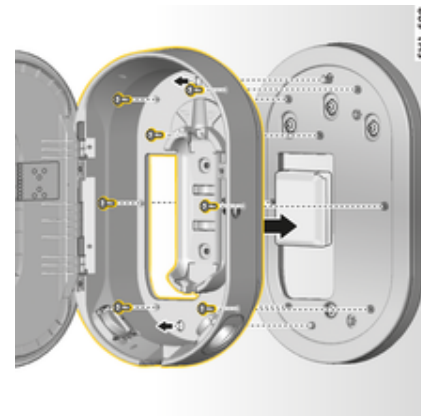


图 265: 将充电盒通过螺钉固定到装配板上

4. 将充电盒通过螺钉固定到装配板上。

## 设置

### 车辆充电电缆和电源电缆

#### 有关车辆充电电缆和插头的信息

根据车辆配置，提供有多种不同的车辆充电口 A 和车辆插头 B。



GB/T 20234.2  
GB 型

### 更换电源电缆或车辆电缆



危险

触电

存在因触电而导致严重或致命伤害的风险。

- ▶ 更换电源电缆之前，务必从电源插座上拔下电源电缆，并从车辆充电口断开车辆电缆。
- ▶ 仅在干燥的环境下更换电缆。
- ▶ 请仅使用保时捷许可的电缆。

▶ 请参阅第 532 页的“交货范围”一章。

在一些国家/地区，例如在挪威、意大利、葡萄牙和西班牙<sup>1</sup>，电源电缆只能由有资质的电工更换。保时捷建议您选择经认证的保时捷服务合作伙伴。

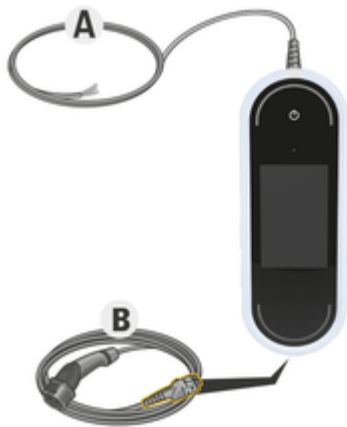


图 266: 控制单元上的连接

连接电缆 A 可以取下并插在控制单元顶部。  
车辆电缆 B 已取下并插在控制单元底部。

### 断开电缆

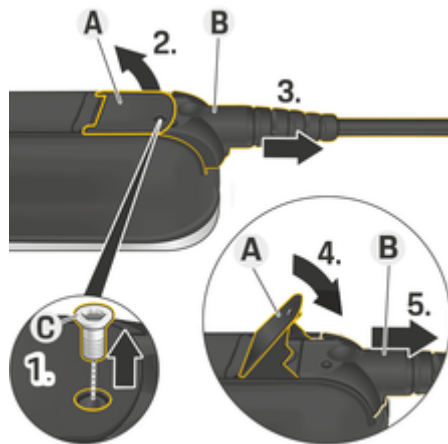


图 267: 断开电缆

- ✓ 已结束对高压蓄电池充电，并且已从车辆充电口拔下车辆插头。
  - ✓ 已从电源插座上断开插头。
1. 使用合适的工具拆下螺钉 C (图 267)。
  2. 提升杆 A (图 267)。
  3. 将插头 B (图 267) 往外拔，直至感觉到阻力。
  4. 合上杆 A (图 267)。
  5. 完全拔出插头 B (图 267)。

1. 截至印刷时。有关详细信息，请咨询您的保时捷中心或当地供电商。

## 固定电缆

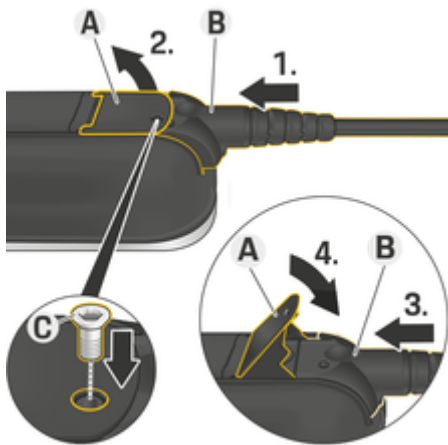


图 268: 连接电缆和固定插头

✓ 杆 A (图 268) 已合上。

1. 将插头 B (图 268) 插入控制单元内, 直至感觉到阻力。
2. 提升杆 A (图 268)。
3. 完全推入插头 B (图 268)。
4. 合上杆 A (图 268)。
5. 使用螺钉 C (图 268) 将插头 B (图 268) 固定到控制单元上。

## 初始操作和配置

## 启动

在开始首次使用充电器之前, 请配置以下设置。

**i** 信息

- 可以跳过标记为跳过的选项。在这种情况下, 将不配置设置。
- 可以随时在显示屏上更改设置 (⚙)。

## 语言和国家/地区

1. 从列表中选择所需语言。确认选择。
2. 从列表中选择所需国家/地区。
3. 确认所选的语言和国家/地区。

## 数据传输

- ▶ 阅读并确认数据传输的相关说明。

## 软件更新

为了保证充电器具有完整的功能并能可靠地工作, 必须始终安装最新的软件。

- ▶ 选择并确认自动软件更新的设置。

**开启** 充电器自动检查是否有可用的软件更新并自动下载更新。

可以直接启动安装过程或推迟一段时间再启动。

**关闭** 充电器自动检查是否有可用的软件更新并显示相应的信息。随后可以手动启动下载过程。

完成下载后, 可以直接启动安装过程或推迟一段时间再启动。

如果无法对充电器建立互联网连接, 也可以通过 <https://www.porsche.com> 上的 E-Performance (E 驱高效动力) 版块中的网址手动下载软件更新, 并通过网页应用程序进行安装。

## 选择网络

选择连接家庭网络选项。使用跳过可以跳过此选项。在这种情况下, 将不会与家庭网络建立连接。如果充电器连接到现有家庭网络, 则可以使用高级功能和信息。可以通过 WiFi 或电力线通信网络 (PLC 网络) 进行连接。如果没有可用的家庭网络, 可以在充电器上设置一个热点。

**i** 信息

不支持且无法使用没有密码保护的公共 WiFi 网络。

## 通过 WiFi 连接

1. 选择 WiFi。
2. 从已检测到的 WiFi 网络列表中选择家庭网络。
3. 输入密码并确认。

## 通过 PLC 配对按钮连接

1. 选择 PLC 配对按钮。
2. 在 PLC 调制解调器上启动连接过程。在充电器上按确定进行确认。

连接装置后, 请使用连接予以确认。

- ➔ PLC 网络连接已启用。

如果与 PLC 网络建立了连接, ☑ 符号将显示在状态栏中。

### 通过 PLC 安全码连接

包含 PLC 网络控制软件的设备必须使用此方法。

1. 为了使用安全码与 PLC 网络建立连接，请选择 **PLC 安全码**。  
➔ 安全码将出现在显示屏上。
2. 在 PLC 网络控制软件的相关菜单中输入安全码，将充电器集成到 PLC 网络中。  
➔ PLC 网络连接已启用。

如果与 PLC 网络建立了连接，📶 符号将显示在状态栏中。

#### 📘 信息

PLC 特性：

- 车辆和基础设施的独立接口
- PLC 到 IEEE P1901
- 家用插头 AV
- 加密：128 位 AES
- 频带：2-30 MHz

### 用户配置文件（配对保时捷 ID）

当充电器与保时捷 ID 配对时，在 My Porsche 和保时捷智慧互联应用程序 (Porsche Connect App) 中可以显示充电器和充电过程的相关信息。

### 若要将充电器与保时捷 ID 配对：

- ▶ 在设备的浏览器中打开充电器显示屏上显示的网站，输入用户代码。  
- 或者 -  
扫描充电器上显示的二维码。可以通过以下方式扫描二维码：
  - 使用保时捷智慧互联应用程序 (Porsche Connect App) (“My Account” (我的帐户) > “Charging cables & devices” (充电电缆和设备) > “Scan QR code” (扫描二维码))。
  - 使用设备上的摄像头 (iOS 11 或更高版本, Android 系统为不同的版本)。
  - 使用应用程序扫描二维码。

如果充电器成功配对，安装助理将会继续执行下一步操作。

### 连接电源管理器

如果有可用的电源管理器，则可以与之建立连接。电源管理器随后可以负责控制充电过程。

- ▶ 有关连接说明，请参阅电源管理器操作手册。

如果没有可用的电源管理器，车辆将以充电器上输入的充电电流充电：

- ▶ **设置** ⚙️ ▶ **调节充电电流**

▶ 请参阅第 542 页的“调节充电电流”一章。

### 热点

如果无法集成到家庭网络中，充电器可以启用热点，并使用它与充电器上的网页应用程序建立连接。

- ▶ 要建立热点，请单击 **启用热点**。

建立热点后，📶 符号将显示在状态栏中。

#### 📘 信息

如果您使用的是 Android 系统，可能需要单独确认连接已经建立，这样才能建立热点连接。

### 调节充电电流

如果家庭网络中没有可用的电源管理器，则可以在此处为充电器设置允许的最大充电电流。

显示的最大值由连接电缆的类型决定。

- ▶ 将充电电流设置为充电器电源可使用的最大值。使用 **加号** 和 **减号** 完成此操作。

▶ 请参阅第 545 页的“充电电流限制”一章。

### 设备保护

为了防止未授权的车辆连接充电器，可以设置 PIN 提示。

1. 要启用 PIN 提示，请选择 **开启**。
2. 输入 4 位 PIN 并确认。
3. 再次输入 PIN 并确认。  
➔ 确认 PIN 提示已启用。

### 完成安装

- ▶ 使用 **摘要** 查看您输入的设置并完成安装。

### 通过网页应用程序启动

在日常使用充电器和 Web Application 之前，必须首先对充电器进行设置。接下来，需要在您的设备 (PC、平板电脑或智能手机) 和充电器之间建立连接。

## 针对网页应用程序中初始启动的要求

在首次使用 Web Application 时，准备好以下信息资料：

- 访问用于登录充电器 Porsche Mobile Charger Connect 的 Web Application 的数据信函
- 您的家庭网络的访问数据
- 您的配置文件的访问数据（用于关联保时捷 ID）

该网页应用程序支持以下浏览器：

- Google Chrome 版本 57 或更高版本（推荐）
- Mozilla Firefox 版本 52 或更高版本（推荐）
- Microsoft Internet Explorer 版本 11 或更高版本
- Microsoft Edge
- Apple Safari 版本 10 或更高版本

## 登录到充电器

### **i** 信息

在包含访问数据的随附信函中可以找到用于登录到充电器的数据。安全保密区包含访问代码（PIN 和 PUK）。该字段通过特殊的油墨来遮盖这些代码。

只有通过流水将该区域弄湿后，密码才会显现出来。

在弄湿该字段时，请勿揉擦，以免损毁密码。

- ✓ 充电器已开启。
  - ✓ 手头已准备好包含访问数据的信函。
1. 从信函中找到 PIN。为此，弄湿安全保密区，以使 PIN 显现出来。
  2. 输入 PIN。

## 充电器上的启动设置

使用设置向导对充电器进行设置，该设置向导引导您完成安装过程中涉及的步骤。必须首先完成设置，然后才能正确使用充电器。

▷ 有关设置充电器的详细信息，请参考《Porsche Mobile Charger Connect 使用手册》。

## 概览

该网页应用程序提供比充电器更丰富的设置选项。

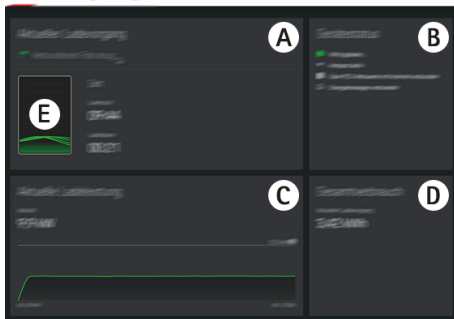


图 269: 网页应用程序的仪表板

### A 当前的充电会话

显示有关当前充电过程的信息，例如充电的开始时间和持续时间。

### B 设备状态

显示有关设备的信息，例如：

- 当前充电状态
- 使用的网络连接
- 与电源管理器的连接状态（如果可用）
- 软件更新是否可用
- 接地监控器的禁用

### C 当前充电量

当前从充电器到负载的电流 [单位为千瓦]。

特性：该曲线显示自充电开始后充电电量的进度，以及总耗电量 [单位为千瓦]。

选择曲线上的某一时间可以查看该时间的充电点。

### D 能耗

当前充电过程的总耗电量 [千瓦时]。

### E 充电状态

仪表板上使用的颜色指示充电器的充电状态：

- 红色：错误消息
- 蓝色：充电已暂停
- 绿色：车辆正在充电
- 白色：车辆未连接充电器

## 操作

### 操作说明

在某些国家/地区，当您连接电动车辆充电设备时，必须告知相关主管部门。

- ▶ 在连接充电设备之前，请确认是否有义务告知授权机构并查看有关操作的法律要求。

#### 提示

#### 充电器损坏

- ▶ 充电时，务必将充电器放在稳固的表面上。
- ▶ 保时捷建议您在基本壁挂支架或充电盒中操作充电器。在某些国家/地区（例如瑞士<sup>1)</sup>），充电器只能在基本壁挂支架或充电盒内使用。
- ▶ 请勿将充电器浸入水中。
- ▶ 保护充电器以防冰雪。
- ▶ 小心使用充电器，以免因被车辆碾压、掉落、拉拽、弯曲或挤压而造成损坏。
- ▶ 请勿打开充电器外壳。

#### 提示

#### 充电器损坏

只能在 -30 °C 至 +50 °C 的温度范围内使用充电器。

- ▶ 为了防止充电器在工作时过热，请勿将其连续暴露在直射的阳光下。如果充电器过热，充电过程将自动中断，直至温度回落到正常范围内。
- ▶ 如果充电器过热或过冷，请让它缓慢恢复到工作温度范围，不要主动降温或加热，例如使用冷水降温或使用吹风机加热。

1. 截至印刷时：您的保时捷中心可提供相关的详细信息。

## 充电

### 充电说明

#### 车辆充电口

关于将车辆充电电缆连接到车辆充电口及断开连接的信息以及车辆充电口的充电和连接状态的信息：

▶ 请参考《驾驶手册》。



**危险**

触电、起火

存在因起火或触电而造成严重或致命伤害的风险。

- ▶ 请始终遵守规定的充电操作顺序。
- ▶ 在充电过程中，请勿将车辆电缆从车辆充电口上拔下。
- ▶ 从车辆充电口上断开车辆电缆之前，请先结束充电过程。
- ▶ 充电期间请勿断开充电器与电源插座的连接。

错误显示在显示屏上并通过红色状态 LED 予以指示。显示的信息包括错误消息、原因和补救措施。

- ▶ 请参阅第 554 页的“故障”一章。

### 充电时间

充电持续时间取决于以下各个因素：

- 使用的电源插座（家用电源插座或工业电源插座）。
- 特定国家/地区的电源电压和电流
- 充电器上限制充电电流的设置
- 电源电压的波动

- 车辆和充电器的环境温度。如果温度在允许的环境温度限制内，充电时间可能会更长。
  - ▶ 请参阅第 545 页的“启用和禁用接地监控器”一章。
- 高压蓄电池和控制单元的温度
- 已启用乘客舱预制冷/预加热
- 电源插头和车辆插头的载电容量。

### 信息

由于不同国家/地区的供电系统存在差异，因此提供了不同版本的电缆。这可能导致未能提供全部充电功率。您的保时捷中心可提供相关的详细信息。

## 开始、暂停和结束充电

### 开始充电

1. 为充电器建立电源连接。

☉ 电源按钮亮起白色。

○ 状态 LED 闪烁白色。

关于将车辆电缆连接到车辆充电口的信息：

▶ 请参考《驾驶手册》。

- ➔ 在成功完成自检并建立连接后，状态 LED 亮起白色。

2. 此时将自动开始充电。


☉ 电源按钮亮起白色。

○ 状态 LED 闪烁绿色。

3. 几分钟后，充电器切换到待机模式。

- ➔ 车辆开始充电。


## 信息

- 充电过程受车辆控制。只能在车辆上停止充电。
- 除非充电器未处于待机模式，否则显示屏上会显示充电状态。按下电源按钮  可再次开启显示屏。
- 过热关闭功能可在充电期间防止过热。

## 暂停充电


充电由车辆控制，并且偶尔可能会暂停，例如为了优化能耗。

在控制单元上指示充电暂停：

-  电源按钮亮起白色。
  - 状态 LED 闪烁蓝色。
- 显示屏开启。

车辆自动开始再次充电。在车辆上可以停止充电。

## 停止充电

- ✓ 已成功完成充电。
  -  电源按钮亮起白色。
  - 状态 LED 亮起绿色。
- 显示屏开启并显示有关完成的充电过程的信息。几分钟后，充电器切换到待机模式。
- ▶ 从车辆充电口上断开车辆插头。

## 充电电流限制

控制单元会自动检测电压和可用的电流。利用充电电流限制功能，可以设置用于充电的充电功率。最近的一个充电电流设置将被保存下来。为防止电气装置过热，当使用家用电源插座时，交付时充电电流自动限制为 50%。

如果充电器连接到电源管理器，则根据电源管理器中预设的值限制充电电流。家庭网络中的其他用电设备（如电热器或热水器）也会降低可用的最大充电电流。切勿将充电功率设置为超过所用电路的最大可用功率。如果对此不确定，请联系有资质的电工。

## 即插即用

使用 Plug & Charge，可以在私人 and 公共区域中使用合适的充电基础设施为车辆充电，而无需在充电站或充电器上手动启动充电过程。将基于与充电提供商的合同自动对充电过程进行计费。

- ✓ 车辆上的智能充电功能已启用。
- ✓ 适用于的充电基础设施 Plug & Charge。
- ✓ 与充电提供商的合同包括 Plug & Charge。

## Private Plug & Charge

如果在 Mobile Charger Connect 上启用了设备保护，则只能输入 PIN 码以开始充电过程 ▶ 请参阅第 542 页的“设备保护”一章。它用于防止外部访问。

## 车辆列表（登记车辆）

输入 PIN 码后，询问车辆是否必须包含在 Mobile Charger Connect 的车辆列表中。在您同意的情况下，车辆在插入充电电缆后会立即检测到车辆与 Mobile Charger Connect 一次配对，并立即开始充电。因此，不再需要输入 PIN 码来执行此车辆的所有其他充电过程。

## 调用车辆列表

可以在 Mobile Charger Connect 上注册多个车辆。车辆列表中分别列出每辆车。

- ▶ 选择设置  ▶ 车辆列表。

可以通过此列表再次删除车辆。

## 启用和禁用接地监控器

### 危险



触电、短路、起火、爆炸

在未启用接地监控器的情况下使用充电器可能导致触电、短路、失火、爆炸或烧伤。

- ▶ 充电器应在正确接地的电源系统中工作，
- ▶ 仅在非接地电源系统中禁用接地监控器。
- ▶ 在接地电源系统中启用接地监控器。

▶ 请参阅第 546 页的“启用接地监控器”一章。



## 禁用接地监控器

- ✓ 显示屏中显示了指示中断或未启用保护导体的错误信息。
  - ✓ 接地监控器已中断充电过程或阻止该过程启动。
  -  电源按钮亮起红色。
  - 状态 LED 亮起红色。
- 显示屏上会显示一条错误消息。
1. 要禁用接地监控器，请单击**确认**来确认错误消息。
  2. 按住电源按钮  3 秒钟。
  3. 单击**确认**以确认禁用接地监控。
    - ➔ 监控器在后续充电过程中保持禁用状态。



## 启用接地监控器

如果在接地电源系统中使用充电器，请启用接地监控器。

1. 打开**接地监控器**菜单（**设置**  **▶ 接地监控器**）。
2. 单击**启用**以启用接地监控器。  
在接地监控器启用时，**接地监控器**菜单项将不会出现在**设置**  菜单中。

## 登录网页应用程序

对于网页应用程序的标准使用，选择用户的家庭用户类型。客户服务用户具有附加的设置选项，旨在出于服务目的用于您的保时捷中心。

✓ 访问数据在手头。

1. 在**用户**字段中选择适当的用户。
2. 输入密码（从包含访问数据的信函）。

### 信息

在 25 分钟处于非活动状态后，用户将自动从网页应用程序中注销。

## 打开网页应用程序

专门为每种充电器设计的网页应用程序可以提供其他配置选项和当前充电过程的详细信息。

### 信息

- 根据您所使用的浏览器，网页应用程序可能不会立刻打开。可能会先显示有关浏览器安全设置的通知。
- 在打开网页应用程序可能需要输入网络密钥。这取决于您的设备的操作系统。


## 通过热点打开网页应用程序

使用设备（PC、平板电脑或智能手机）通过充电器设置的热点可以打开网页应用程序。  
若要设置热点：

- ▶ 请参阅第 542 页的“热点”一章。
- ▶ 要在热点启用时打开网页应用程序，请在浏览器的地址栏中输入以下 IP 地址：  
192.168.0.1

## 通过 WiFi 打开网页应用程序

如果某一设备（PC、平板电脑或智能手机）登录了充电器所在的家庭网络，则可以在该设备的浏览器中打开网页应用程序。

- 在浏览器的地址栏中输入充电器的当前 IP 地址。您将在**设置**  **▶ 网络** **▶ 网络信息**中找到 IP 地址。
- **或者** -  
在浏览器的地址栏中输入充电器的主机名。在包含访问数据的信件中可以找到主机名。

▶ 有关网页应用程序的信息，请参阅手册：

<https://www.porsche.com/international/aboutporsche/e-performance/help-and-contact/>

## 使用网页应用程序

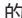
### 打开网页应用程序

#### 建立与充电器的连接

如果在设置过程中充电器已集成到您的现有家庭网络中（WiFi 或 Powerline Communication），则可以使用分配的 IP 地址访问该网页应用程序。有关如何建立网络连接的信息，▶ 请参阅第 547 页的“连接”一章。

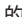
#### 通过 WiFi 打开网页应用程序

✓ 您的设备和充电器处于同一个 WiFi 网络中。

1. 打开您的浏览器。
2. 在浏览器地址栏中：输入在配置过程中分配的 IP 地址（在充电器上的**设置**  **▶ 网络** **▶ 网络信息**中），或者输入充电器的主机名称（在包含访问数据的信函中）。

#### 通过电力线通信打开网页应用程序

✓ 设备和充电器通过 PLC 连接处于同一个网络中。

1. 打开您的浏览器。
2. 在浏览器地址栏中：输入在配置过程中分配的 IP 地址（在充电器上的**设置**  **▶ 网络** **▶ 网络信息**中）。

#### 通过热点打开网页应用程序

或者，可以通过热点建立连接。充电器配有无线接入点（热点），有密码保护并且要求手动登录。支持 WiFi 的设备可以连接到热点，然后访问充电器的网页应用程序。在该网页应用程序中，您可以随时将该充电器加入到家庭网络中。



- ✓ 充电器已开启。充电器自动启用其 WiFi 热点。
- 1. 在您的设备上，按任务栏或通知面板上的网络或 WiFi 图标。
- 2. 从列表中选择您的 WiFi 网络。WiFi 网络的名称与包含访问数据的信函中的 SSID 相同，并且显示为 **ICCPD-#####**。
- 3. 按下“连接”按钮。
- 4. 在**安全密钥**字段中，输入安全码（在包含访问数据的信函中显示为 **WiFi PSK**）。
  - ▶ 与 WiFi 网络的连接随之建立。

注意：在 Windows 10 操作系统中，系统会首先要求您输入路由器 PIN。选择链接使用网络安全码连接，然后输入代码。
- 5. 打开您的浏览器。
- 6. 在您的浏览器的地址栏中输入以下 IP 地址：**192.168.0.1**。

### **i** 信息

如果您的设备处于某一家庭网络中，则该设备可能无法继续通过热点 IP 地址 (192.168.0.1) 访问网页应用程序，而只能通过自动分配的 IP 地址或者充电器的主机名访问。

- 现有 IP 地址条目：
  - Web Application: **保养 ▶ 设备信息**
  - 充电器: **设置 ⚙ ▶ 网络 ▶ 网络信息**
- 现有主机名条目：
  - 包含访问数据的信函
  - Web Application: **保养 ▶ 设备信息**

## 重定向到网页应用程序

### **i** 信息

根据您所使用的浏览器，网页应用程序可能不会立刻打开。可能会先显示有关浏览器安全设置的通知。

1. 在显示的浏览器警告消息中，选择**高级**。
2. 在下一个对话框中，选择**添加例外**。
  - ▶ 确认 SSL 证书，该网页应用程序随即打开。

## 充电历史记录

在此处，按时间顺序列出了充电器的充电过程。以下信息可供每个充电过程使用：

- 时间
- 充电持续时间
- 耗电量
- 成本（如果连接了电源管理器）
- 已使用帐户（如果在已启用的充电过程中选择了某一帐户）

该网页应用程序提供将充电历史记录导出为 Excel 文件的选项。

1. 选择**导出充电历史记录**。
2. 导航到期望的存储位置并且保存文件。

### **i** 信息

对于每个已启用的充电过程，可出于评估目的选择**工作**和**私人**帐户。您可以在充电器上有关当前**充电过程**（菜单栏中的 **i** 符号）的信息中选择该帐户。在下一个充电过程中您的选择也适用，因此您可以根据需要对此进行更改。

## 连接

要访问充电器的网页应用程序、其信息和设置，您的设备和充电器必须处于家庭网络中（通过 WiFi 或 PLC 连接）。通过家庭网络的互联网连接，可以使用网页应用程序的所有功能。

如果使用场所内没有家庭网络，则您的设备（PC、平板电脑或智能手机）可通过其 WiFi 热点直接登录到充电器。但在此情况下没有互联网连接，并且只有本地安装的功能可用。

### **i** 信息

如果您的设备处于某一家庭网络中，则该设备可能无法继续通过热点 IP 地址 (192.168.0.1) 访问网页应用程序，而只能通过自动分配的 IP 地址或者充电器的主机名访问。

- 现有 IP 地址条目：
  - Web Application: **保养 ▶ 设备信息**
  - 充电器: **设置 ⚙ ▶ 网络 ▶ 网络信息**
- 现有主机名条目：
  - 包含访问数据的信函
  - Web Application: **保养 ▶ 设备信息**

### **i** 信息

如果您在设置过程中从热点模式更改为 WiFi 网络连接或反之，您将需要再次登录。

您可以在热点连接启用时无需重新启动就使用 Powerline Communication 更改为家庭网络。

### **i** 信息

如果您使用网页应用程序，则只有在可以连接到家庭网络时，才应禁用热点连接。

- ▶ 选择所需的网络连接（热点、WiFi、电力线通信）。

## 热点

您的设备可以通过其集成的 WiFi 热点直接连接到充电器。

1. 选择**设置热点**。
  2. 在“设置”中，输入热点的网络名称和安全码。
- ▶ 有关如何建立热点连接的信息，▶ 请参阅第 546 页的“打开网页应用程序”一章。。

## WiFi

### 信息

如果充电器已通过热点连接到您的设备，则无法同时建立与 WiFi 网络的连接。您必须首先禁用该热点。

1. 启用 WiFi。
2. 选择选项**连接网络**。
3. 从列表中选择您的网络，并输入**安全密钥**。  
**不同网络：**如果您在使用不在列表上的网络，则选择此选项。
4. 选择是否自动分配 IP 地址（推荐）。  
▶ 一旦建立了与网络的连接后，IP 地址就会出现。  
状态已**连接**将出现在列表上的网络旁。

## 管理 WiFi 网络

选项	说明
不同网络	▶ 如果您的网络不在列表上，则选择此选项。
管理已知网络	▶ 选择 <b>删除</b> 可删除已保存的网络。这样，充电器将位于正确的网络中。

## 断开与网络的连接

1. 选择当前连接的网络。
2. 选择**断开连接**可断开与 WiFi 网络的连接。

## 配置网络连接

1. 选择当前连接的网络。
2. 选择**配置**可更改对 IPv4 地址和 DNS 服务器的设置。

### 信息

使用 2.4-GHz 频带来用于网络连接。在出现连接问题时，禁用网络路由器上的 5-GHz 频段。

## 电力线通信

除了 WiFi 之外，您的充电器还可以通过 PLC 连接来连接到家庭网络。为此，需要使用现有市电电源来设置本地网络，以实现数据传输。充电器在 PLC 网络中注册为客户端。

要建立连接，可以通过其配对按钮将充电器和 PLC 调制解调器彼此连接。在此情况下，充电器自动与 PLC 调制解调器配对。另一个连接方法是在 PLC 调制解调器上输入充电器的安全码。

1. 启用**电力线通信 (PLC)**。
2. 将充电器添加到 PLC 网络：
  - **选项 1：**使用配对按钮：
    - a. 在网页应用程序中，选择**使用 PLC 按钮方法连接**。
    - b. 选择**开始配对**。
    - c. 要建立一个连接，请在 2 分钟内按下 PLC 调制解调器上的配对按钮。
    - d. 选择**连接**按钮以便确认配对。
  - **选项 2：**通过输入 PLC 安全码：
    - a. 选择选项**使用 PLC 安全密钥建立连接**。将显示安全码。
    - b. 在 PLC 调制解调器的设置中输入该安全码。
 ▶ 充电器整合到 PLC 网络中并且建立连接。

## 与车辆的 PLC 连接

只有**客户服务**用户才可以看到和配置该功能。如果 PLC 连接被禁用，则数据将不再通过电缆传输到车辆。

例如，在某些测量期间需要此模式。

在启用数据传输后，充电标配使用充电协议（高水平通信）。

在禁用数据传输后，充电基于电气参数（脉宽调制）。

## 添加电源管理器

为使电源管理器承担充电控制，必须首先将充电器（EEBus 设备）和电源管理器彼此连接。可以在电源管理器的网页应用程序中以及充电器的网页应用程序中（或者直接在充电器上）建立连接。

### 在电源管理器上建立与充电器的连接

▶ 在保时捷家庭电源管理器的网页应用程序说明的“添加 EEBus 设备”一章中介绍了建立与充电器的连接的过程。

### 在充电器上建立与电源管理器的连接

✓ 充电器和电源管理器处于同一个网络中。

1. 在充电器的网页应用程序中，导航到**连接 ▶ 电源管理器**。  
➔ 电源管理器显示在**可用的电源管理器**列表中。
2. 选择并且展开电源管理器。
3. 选择**设备配对**。  
➔ 对连接进行检查。
4. 在**建立连接**对话框中，再次使用 ID 号 (SKI) 检查电源管理器的标识，然后选择**连接**。  
➔ 电源管理器已成功连接，并且显示状态**电源管理器已连接**。  
充电器采用电源管理器设置（例如关于充电电流、过载保护、优化充电和电价设置的信息）。

### 与电源管理器断开连接：

1. 在充电器的网页应用程序中，导航到**连接 ▶ 电源管理器**。  
➔ 将会显示已连接的电源管理器，且状态为**电源管理器已连接**。
2. 选择**断开连接**。  
➔ 充电器与电源管理器断开连接。

## 配对用户配置文件

### ❗ 信息

要将数据传输到您的保时捷 ID 帐户，设备必须连接到互联网。

在您的保时捷 ID 帐户中，还可以检索有关充电过程的信息。为此，必须将充电器与某一保时捷 ID 配对。

1. 选择**关联用户帐户**按钮。  
➔ **关联用户帐户**对话框随之打开。
2. 根据是否有互联网连接，选择以下选项（请参阅“互联网连接选项”）。
3. 在保时捷 ID 帐户网站上，输入您的登录数据（保时捷 ID、密码）。

### 互联网连接选项

选项	说明
<b>前往 My Porsche</b>	<ul style="list-style-type: none"> <li>✓ 网页应用程序连接到互联网。</li> <li>▶ 您将能够重新直接定向到您的保时捷 ID 帐户。</li> </ul>
<b>更多选项</b>	<ul style="list-style-type: none"> <li>✓ 网页应用程序未连接到互联网。</li> <li>▶ 如果您的移动设备具有互联网连接，则或者扫描显示的二维码，或者在您的浏览器中手动输入显示的 URL。</li> </ul>

## 设置

### 系统

#### 演示模式

只有客户服务用户才可以看到该设置。在演示模式中，充电器的功能可以方便的显示并且可以模拟充电过程。在演示模式下进行的设置不适用。

✓ **客户服务用户已登录。**

▶ 启用功能。

下次您登录到网页应用程序时，将会再次禁用演示模式。

#### 更改密码

您可以更改网页应用程序的登录密码。新选择的密码将覆盖包含访问数据的信函中的初始密码。

▶ 选择**更改**并输入新密码。

#### 启用设备保护

PIN 提示可保护您的充电器并且防止未经授权的人士将车辆连接到您的充电器。

1. 启用功能。
2. 输入 4 位 PIN 并确认。
3. 再次输入 PIN 并确认。  
➔ 确认 PIN 提示已启用。  
输入此 PIN 以便解锁充电器。

#### 启用来宾 PIN

此外，您可以为其他用户创建来宾 PIN。

▶ 该过程与您分配 PIN 以便保护设备的过程相同。

### ❗ 信息

来宾用户将不能配置充电器。

### 控制耗电量

启用待机模式可以节约电能。在充电完成后待机模式将立即开始。

#### ▶ 启用待机模式。

设备需要一些时间以便退出待机模式并且作好再次使用的准备。

### **i** 信息

在一段较长的不活动时间后，充电器将自动切换到待机模式。首先，显示的亮度将调暗，然后显示将关闭。按下“电源”按钮可再次启动。

### 输入语言和国家/地区

字段	说明
语言	选择网页应用程序的语言。
国家/地区	所使用的国家/地区。配置设置根据国家/地区而异。如果您输入了并非实际使用地的国家/地区，则某些设置可能不可用。

### 输入日期和时间

字段	说明
日期和时间	在存在网络连接时，将自动应用该日期和时间。 <b>时区：</b> 可以手动选择。 <b>设置时间：</b> 如果网络时间不可作为基准时间使用，则输入某一时间。

### 单位

选择您希望充电器使用的参数和单位。

### 设备显示

此设置确定充电器显示屏的亮度。

### 充电

#### 电源状态

只有**客户服务**用户才可以看到该设置。充电器自动检测到此处显示的有关电源状态的信息。

显示	说明
电源相	电源电缆中的相数。
电缆类型	车辆充电电缆的类型。电缆类型提供用于设置最大充电电流的重要信息。

显示	说明
受到限制的操作	该图指示哪些充电功率传感器由于过热而受到限制： <ul style="list-style-type: none"> <li>- 0: 微控制器温度过高</li> <li>- 1: 继电器温度过高</li> <li>- 2: 内部温度过高</li> <li>- 3: 基础设施电缆传感器 1 温度过高</li> <li>- 4: 基础设施电缆传感器 2 温度过高</li> </ul>

### 接地监控器

#### **⚠ 危险**

触电、短路、起火、爆炸

在未启用接地监控器的情况下使用充电器可能导致触电、短路、失火、爆炸或烧伤。

- ▶ 充电器应在正确接地的电源系统中工作，
- ▶ 仅在非接地电源系统中禁用接地监控器。
- ▶ 在接地电源系统中启用接地监控器。

启用和禁用接地监控器 ▶ 请参阅第 545 页的“启用和禁用接地监控器”一章。

### 调节充电电流

如果车辆的充电电流过高，则可能导致保险丝跳闸，并因此导致该保险丝覆盖的范围中电源故障。

如果电源管理器连接到该充电器，则过载保护将监控到充电器的充电电流。如果家庭网络中没有可用的电源管理器，则必须为该充电器定义最大电流。

您输入的充电电流不得超过电源装置可处理的最大充电电流。

在确定最大充电电流时，请注意以下方面：

- 连接到充电器上的电缆类型
- 连接到此电缆或保险丝的其他负载

有关电源电缆及其在不同国家/地区的使用的信息。

### **i** 信息

切勿将充电功率设置为超过电路的最大可用功率。

如果对此不确定，请咨询有资质的电工。

### **i** 信息

如果连接了某一电源管理器，则其设置将覆盖您输入的值。

- ✓ 车辆电缆连接至充电器。
- ▶ 在网页应用程序中，使用控制器设置最小和最大充电电流。

## 保养

### 显示设备信息

此信息基于充电器数据，例如版本号、序列号和主机名。

在出现错误消息时，您的保时捷服务合作伙伴将需要这些数据。

## 显示总运行时间信息

显示	说明
总耗电量	显示此充电器的以前所有充电过程的总耗电量。
总充电时间	显示此充电器的以前所有充电过程的总充电时间。

### 显示事件记忆

只有**客户服务**用户才可以看到该设置。此处显示的事件记忆信息与在系统测试过程中发生的错误消息相关。显示主动和被动事件记忆。与被动事件不同，主动事件或错误目前仍持续存在。

- ▶ 选择适当的日志可以查看系统测试的错误消息和结果。

### 安装软件更新

充电器标配会搜索软件更新并下载更新。此设置确定软件更新是自动安装还是手动安装。**软件版本**：显示当前已安装的软件版本。

### **i** 信息

要查找和下载软件更新，充电器必须具有互联网连接。

### 自动更新

在启用此功能后，充电器将自动安装软件更新。

- ▶ 选择**自动软件更新**。

### 手动更新

在新软件版本可用时，在仪表板的设备状态中将出现一个通知。

- ✓ **自动软件更新**已禁用。
- ▶ 选择**执行软件更新**以开始安装。

## 存储设置

可以使用备份保存您的配置设置和以前输入的数据。通过使用此备份，您可以在必要时恢复这些设置（例如，在重置到出厂设置后）。在网页应用程序中手动创建备份。

在备份中不存储密码或充电历史记录之类的个人数据。

### 创建备份

对于手动备份，数据存储于您的设备上。

- ✓ 您的设备和充电器处于同一个网络中。

1. 选择**导出**。
2. 导航到存储位置。
3. 保存备份文件。

**指定密码：**输入密码。

密码对您的数据进行保护，在您导入或恢复备份时必须输入密码。

### 恢复备份

您可以将已保存的备份文件从您的设备导入到充电器。

- ✓ 您的设备和充电器处于同一个网络中。

1. 选择**导入**按钮。
2. 导航到备份文件，然后选择该备份文件。
3. 输入您用于保存该备份文件的密码。

## 重置为出厂设置

如果您启用此功能，将会删除所有个人数据和配置，例如充电历史记录和网络设置。此外，所有密码都将重置为包含您的访问数据的信函中指示的初始密码。

- ▶ 启用**重置为出厂设置**。  
创建备份 请参阅第 551 页的“保养”一章。

**i** 信息

如果设置重置为出厂状态，则在您下次启动时，设置向导将协助您完成最重要的充电器设置。

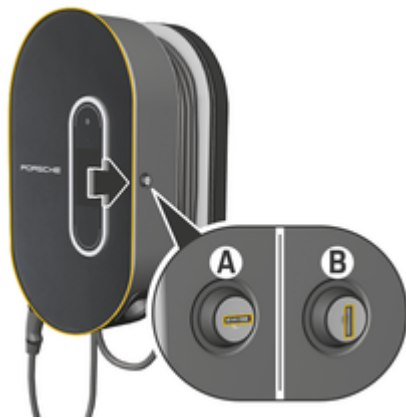
**充电盒**

图 270: 充电盒

**打开充电盒**

- ▶ 沿箭头方向按压充电盒的门板。门板随即自动打开。

**关闭充电盒**

- ▶ 关上充电盒的门板，并沿箭头方向按压。

**锁止充电盒**

- ▶ 将门锁转到位置 A（图 270）。

**解锁充电盒**

- ▶ 将门锁转到位置 B（图 270）。

**将控制单元连接到充电盒并将其从充电盒上取下****提示**

充电器损坏

- ▶ 始终保持门板关闭。
- ▶ 不要在车门或充电盒上放置物体。

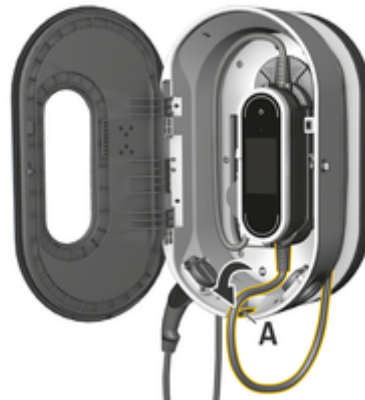
**将控制单元连接到充电盒**

图 271: 连接控制单元

1. 打开充电盒的门板。
2. 将控制单元定位到充电盒的锁止片下方，然后接合控制单元的后部。
3. 引导车辆电缆穿过开口 A（图 271），并将多余的电缆缠绕在充电盒上。
4. 将电源电缆插入电源插座。
5. 关闭充电盒的门板。

## 从充电盒上取下控制单元

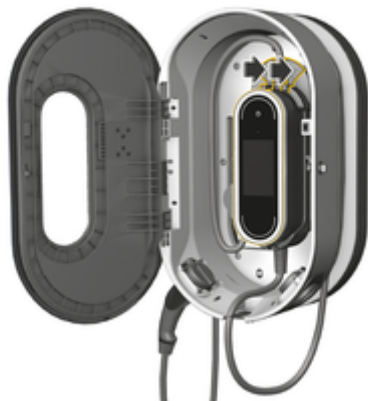
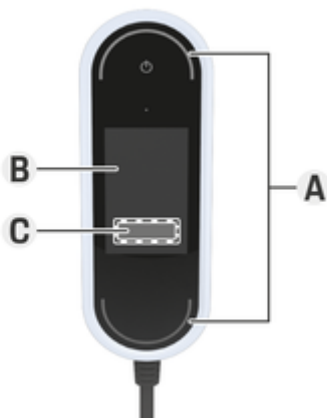


图 272: 连接控制单元

1. 打开充电盒的门板。
2. 将电源电缆从电源插座上断开。
3. 将车辆电缆从充电盒上完全解开。
4. 通过按压解锁开关（箭头），将控制单元从支座上分离并拆下。

## 故障



- A 状态 LED 亮起红色  
 B 错误信息和原因  
 C 修复

以下概览包含有关处理限制或阻止车辆充电的故障的建议。

发生故障时，充电器的显示屏上将显示相应信息。状态 LED 和电源按钮亮起红色。所显示的信息提供了错误的详情、原因和补救措施。

- ▶ 请按照针对补救措施所提供的说明执行。

## 提示

充电器损坏

- ▶ 如果故障持续存在或重复出现，请将充电器与电源断开连接，并联系有资质的电工。保时捷建议您选择经认证的保时捷服务合作伙伴。

图 273: 故障显示

情况	推荐的操作
显示屏（屏幕、状态 LED、电源按钮）已完全停止工作。	<ul style="list-style-type: none"> <li>▶ 将充电器与电源断开连接并予以更换。</li> <li>▶ 请有资质的电工检查家用装置。</li> </ul>
显示屏空白，状态 LED 未改变颜色并且电源按钮亮起红色。	<ul style="list-style-type: none"> <li>▶ 充电器过热。断开充电器与市电电源的连接，让它自行缓慢冷却。</li> <li>▶ 如果错误仍存在，请更换充电器。</li> </ul>
操作受限或无法充电（显示屏上的信息）。	<ul style="list-style-type: none"> <li>▶ 确保电源电缆和车辆电缆连接到控制单元的正确一端，并且正确插入接口中。</li> <li>▶ 确保充电器保持在允许的温度范围内。               <ul style="list-style-type: none"> <li>▷ 请参阅第 559 页的“技术数据”一章。</li> </ul> </li> <li>▶ 确认出现的任何错误信息。</li> <li>▶ 重启充电器。按住电源按钮至少 10 秒钟进行重启。</li> </ul>
充电电流过低（显示屏上显示相关信息）。	<ul style="list-style-type: none"> <li>▶ 家庭网络过载。关闭其他较高的电负荷。</li> </ul>



情况	推荐的操作
电源电压过高（显示屏上显示相关信息）。	<ul style="list-style-type: none"><li>▶ 请有资质的电工检查家用装置。</li></ul>
充电器不在允许的温度范围内（显示屏上显示相关信息）。	<ul style="list-style-type: none"><li>▶ 设备过热关闭：避免阳光直射，让充电器自行缓慢冷却。</li><li>▶ 低温关闭：在使用前，让充电器在温暖的环境中升温。</li><li>▶ 设备温度传感器有故障：更换充电器。</li></ul>
触发了家用装置中的断路器（显示屏上显示相关信息）。	<ul style="list-style-type: none"><li>▶ 在充电器的设置中减小充电电流。</li><li>▶ 确认出现的任何错误信息。</li></ul>
显示充电中断： <ul style="list-style-type: none"><li>▶  电源按钮亮起白色。</li><li>▶  状态 LED 闪烁蓝色。</li><li>▶ 显示屏开启。</li></ul>	<ul style="list-style-type: none"><li>▶ 请等待，直至车辆自动再次开始充电。</li><li>▶ 在车辆上可以停止充电。</li></ul>

### 运输



**警告**

未经固定的装载物品

在车辆制动、加速、转向或发生事故时，未固定、未正确固定或放置不当的充电器可能会滑出并危及车辆乘员的安全。

- ▶ 切勿在未固定的情况下运输充电器。
- ▶ 请务必将充电器放在行李厢内，切勿放在乘客舱内（例如座椅上或座椅前方）。

#### 固定充电器以便于运输

根据车辆类型，充电器配备有或不配备便携包。

- ▶ 如果配备便携包：务必将充电器存放在便携包中运输。用钩子将便携包连接到前后捆扎环上。

有关行李厢中的捆扎环的信息：

- ▷ 请参考《驾驶手册》。
- ▶ 如果未配备便携包：请将充电器放在后行李厢中进行运行。
- ▶ 根据车辆类型，在危险情况下不会危及任何乘员的方式存放充电器。

## 清洁和保养

定期检查充电器有无损坏和沾污，并在必要时予以清洁。



**危险**

触电、起火

存在因起火或电击而造成严重或致命伤害的风险。

- ▶ 切勿将充电器或插头浸在水中或直接对它们喷洒水（例如使用高压清洗设备或花园浇水软管进行喷洒）。
- ▶ 仅当控制单元完全从电源或车辆断开时才清洁充电器。请使用干燥的布进行清洁。

### 弃置

必须将电气/电子设备交给收集站或废弃物管理设施。

- ▶ 不要将电气/电子设备与家庭废弃物一起丢弃。
- ▶ 应根据适用的环境保护法规对电气/电子设备进行弃置。
- ▶ 如果您有弃置方面的任何疑问，请联系保时捷中心。

## 技术数据

<b>电气数据 9Y0.971.675...</b>	<b>BK MCC22C3 A<sup>1)</sup></b>
功率	22 kW
额定电流	32 A
电源电压	380 V
相	3
电源频率	50 Hz
过电压类别 (IEC 60664)	II
一体式残余电流设备	A 型 (AC: 30 mA)+ DC: 6 mA
保护等级	I
防护等级	IP55 (美国: 编码 3R)
传输频带	2.4 GHz、5 GHz
传输功率	20 dBm
<b>机械数据 9Y0.971.675...</b>	<b>BK MCC22C3 A<sup>1)</sup></b>
控制单元重量	2,54 kg
车辆电缆长度	2.5 m 或 7.5 m
电源电缆长度	0,9 m

<sup>1)</sup> A 代表即将进行的设计更改，并且可能是任意字母。

基本壁挂支架的机械数据 9Y0.971.675...	BK MCC22C3 A <sup>1)</sup>
基本壁挂支架尺寸	385 mm x 135 mm x 65 mm (长 x 宽 x 高)
基本壁挂支架的重量	约 0.45 kg
电缆线路导件尺寸	127 mm x 115 mm x 139 mm (长 x 宽 x 高)
电缆线路导件的重量	约 0.42 kg
接头固定器尺寸	136 mm x 50 mm x 173 mm (长 x 宽 x 高)
接头固定器的重量	约 0.14 kg
整个基本壁挂支架的重量	约 1 kg
充电盒的机械数据 9Y0.971.675...	BK MCC22C3 A <sup>1)</sup>
充电盒尺寸	373 mm x 642 mm x 232 mm (宽 x 高 x 深)
充电盒的重量	约 9.7 kg
环境和存放条件 9Y0.971.675...	BK MCC22C3 A <sup>1)</sup>
环境温度	-30°C 至 +50°C
空气湿度	5%– 95% 非凝结状态
海拔高度	最高 5,000 m (海平面上)

<sup>1)</sup> A 代表即将进行的设计更改，并且可能是任意字母。

## 标识牌

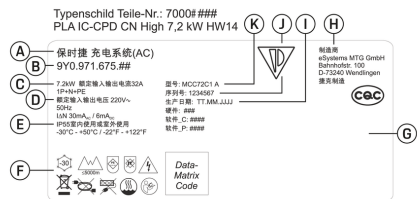


图 274: 铭牌 (示例)

- A** 产品名称
- B** 商品编号
- C** 功率和额定电流
- D** 电源电压
- E** 防护等级
- F** 操作象形图
- G** 认证信息
- H** 制造商
- I** 制造日期
- J** 序列号
- K** 型号名称

## 生产信息

### 制造日期

充电器的制造日期可以在铭牌上的缩写“EOL i.O.”后找到。

制造日期按以下格式显示：生产日.生产月份.生产年份

### 充电器制造商

eSystems MTG GmbH  
Bahnhofstraße 100  
73240 Wendlingen  
德国

## 电气测试

如果对充电基础设施（如 VDE 0702）的定期电气测试有任何疑问，请参阅 <https://www.porsche.com/international/accessoriesandservice/porscheservice/vehicleinformation/documents/> 或联系保时捷合作伙伴。

## 符合性声明

充电器具有无线电系统。这些无线电系统的制造商声明，根据第 2014/53/EU 号指令，该系统符合其使用的技术规范。

欧盟符合性声明的完整文本可在以下网址中找到：

► <http://www.porsche.com/international/accessoriesandservice/porscheservice/vehicleinformation/documents>

## 索引

## A

安全指南.....	530
安装充电盒	
不使用厚垫片安装.....	539
使用厚垫片安装.....	538
安装基本壁挂支架.....	537
安装接头固定器.....	537

## B

保时捷 ID.....	533
保养.....	557
本《驾驶手册》中的符号.....	527
标识牌.....	561

## C

参阅《驾驶手册》	
更多信息.....	529
数据隐私信息.....	529
操作说明.....	544
车辆充电电缆	
电缆和插头类型.....	540
车辆充电口.....	544
充电	
结束.....	545
启动.....	544
暂停.....	545
充电电缆	
电缆和插头类型.....	540
充电电流限制.....	545
充电功率	
查看.....	543
充电过程	
查看.....	547
耗电量.....	547
充电过程中的耗电量.....	543

充电盒.....	552
打开.....	552
关闭.....	552
解锁.....	552
锁止.....	552

## 充电器

充电功率.....	543
充电状态.....	543
初始密码.....	532
连接.....	546
设备状态.....	543
图标.....	529
充电器的商品编号.....	559
充电器的序列号.....	533
充电时间.....	544
充电状态.....	543
从充电盒上取下控制单元.....	552

## D

当前充电过程.....	543
导出充电历史记录.....	547
登录到充电器.....	543
电缆	
断开.....	540
固定.....	541
电气固定连接.....	559
电源管理器.....	542
调节充电电流.....	542
配对.....	549
添加.....	549
调节充电电流.....	542
丢失访问数据.....	532

## F

访问数据.....	532
充电器的序列号.....	533
网页应用程序.....	532
符合性声明.....	561

## G

更多信息.....	529
更换电源电缆或车辆电缆.....	540
工具.....	537
故障.....	554

## H

环境和存放条件.....	559
--------------	-----

## I

IP 地址.....	547
------------	-----

## J

## 技术数据

充电盒机械数据.....	559
电气数据.....	559
机械数据.....	559
基本壁挂支架机械数据.....	559
家庭网络.....	541
主机名.....	547
IP 地址.....	547

## 建立网络连接

电力线通信 (PLC).....	548
热点.....	548
WiFi.....	548

将控制单元连接到充电盒.....	552
------------------	-----

交货范围.....	532
-----------	-----

## 接地监控器

禁用.....	545
启用.....	546
警告通知的结构.....	527

## K

控制单元.....	533
固定到壁挂支架上.....	538
连接概览.....	533
显示.....	534
控制选项.....	535



**L**

- 连接
  - 电源管理器..... 542
  - 热点..... 542
  - PLC 安全码..... 541
  - PLC 配对按钮..... 541
  - WiFi..... 541

**P**

- 配对保时捷 ID..... 542
- 配对用户配置文件..... 542, 549
- 配置 DNS 服务器..... 548
- 配置 IPv4 地址..... 547
- PIN 和 PUK 码
  - 丢失..... 532
  - 修改密码..... 532

**Q**

- 启动..... 541
- 弃置..... 558
- 清洁..... 557

**R**

- 热点
  - 设置..... 548
- 软件更新..... 541

**S**

- 设备保护..... 542
- 设置 PIN 提示..... 542
- 设置向导..... 543
- 生产信息..... 561
- 输入帐户..... 549
- 数据传输..... 541
- 数据隐私信息..... 529
- 所需工具..... 537

**T**

- 图标..... 529

**W**

- 网络应用程序
  - 初始密码..... 532
  - 丢失密码..... 532
  - 修改密码..... 532
- 网页应用程序
  - 打开..... 546
  - 调试..... 542
  - 热点..... 546
  - WiFi..... 546
- WiFi 网络
  - 断开..... 548
  - 管理..... 548
  - 连接..... 548
  - 未知网络..... 548

**X**

- 显示
  - 菜单栏..... 534
  - 导航..... 535
  - 语言和国家/地区..... 541
  - 状态栏..... 534
- 序列号..... 561
- 选择安装位置..... 536
- 选择网络..... 541

**Y**

- 语言和国家/地区..... 541
- 运输..... 556

**Z**

- 正确使用..... 531
- 制造日期..... 561
- 制造商..... 561
- 主机名..... 547
- 转售充电器..... 533

## 总耗电量

- 当前充电过程..... 543

## 關於本車主手冊

### 警示和符號

本車主手冊包含各種不同類型的警示和符號。



危險

嚴重傷亡

如果未遵守「危險」章節的警告事項，將導致嚴重傷亡。



警告

可能導致嚴重傷亡

如果未遵守「警告」章節的警告事項，可能導致嚴重傷亡。



注意

可能導致中度或輕微的傷害

如果未遵守「注意」章節的警告事項，可能導致中度或輕微的傷害。

### 注意事項

可能損壞車輛

如果未遵守「注意事項」章節的警告事項，可能會導致車輛損壞。



資訊

其他資訊以「資訊」字樣表示。

- ✓ 若要使用功能，必須滿足的條件。
  - ▶ 必須遵守的指示。
  - 1. 如果指示包含多個步驟，將會依序編號。
  - 2. 中央顯示幕上必須遵守的指示。
- ▶ 告訴您如何找到主題的重要詳細資訊。

## Deutsch

請參閱車主手冊	
圖像文字索引.....	566
資料保護聲明.....	566
更多資訊.....	566
<b>安全</b>	
安全指示.....	567
正確用途.....	568
<b>零配件</b>	
存取資料.....	569
<b>概觀</b>	
操作裝置上的接頭.....	570
充電器操作裝置.....	570
顯示器面板的顯示和控制項目.....	571
<b>選擇安裝位置</b> .....	573
<b>必要工具</b> .....	574
<b>安裝</b>	
安裝壁掛座.....	574
不使用墊片安裝.....	575
使用墊片安裝.....	576
<b>設定</b>	
車輛充電纜線和電源線.....	576
初始操作和設定.....	581
使用網頁應用程式啟動.....	582
登入充電器.....	583
開始設定充電器.....	583
概觀.....	583
<b>操作</b>	
操作說明.....	584
充電.....	584
登入網頁應用程式.....	586
使用網頁應用程式.....	587
充電座.....	592
<b>失效</b> .....	594
<b>運送</b> .....	596
<b>清潔及保養</b> .....	597
<b>廢棄處理</b> .....	598
<b>技術資料</b>	
汽車牌照.....	601
產品資訊.....	601
<b>索引</b> .....	602

## 請參閱車主手冊 圖像文字索引

視國家/地區而定，充電器上可能會附有各種圖像。



充電器可在 -30 °C 到 +50 °C 的溫度範圍內運作。



請在海平面上方高度 5,000 m 以內操作充電器。



充電器配備非切換式防護導體。



充電器配備切換式防護導體。



請遵照所有適用的處置法規棄置充電器。



請勿使用延長線或電線捲盤。



請勿使用 (旅行用) 轉接頭。



請勿使用多孔電源插座。



請勿使用電氣設備故障或是纜線故障的充電器。



不當使用有觸電的風險。



請遵守隨附的車主手冊，尤其是警告和安全指示。



充電器的表面可能會變得很燙。



請勿在未接地的主電源系統 (例如 IT 網路) 中操作充電器。僅限在已接地的主電源系統中操作充電器。



充電器必須使用交流電。



指示電壓範圍  $\leq 250$  VAC 的類型 1 插頭。



指示電壓範圍  $\leq 480$  VAC 的類型 2 插頭。

### 資料保護聲明

為了確保 Porsche 座車的充電設備通訊無誤且保持為最新版本，Porsche 會定期從充電設備中收集並處理以下與裝置相關的加密資料：裝置 ID、品牌、裝置版本、裝置類型與軟體版本。

若您也想使用充電設備的其他保時捷互聯系統 (Porsche Connect) 服務，請務必將充電設備與您的 Porsche ID 帳號配對，此帳號可由所選市場的保時捷互聯系統 (Porsche Connect) 經銷商提供。使用保時捷互聯系統 (Porsche Connect) 服務時，

Porsche 會收集並處理以下個人資料及其他與裝置相關的資料，以便提供這些服務：客戶身分、統計資料、充電程序資訊、狀態、連線狀態與上一次建立通訊時的時間戳記。關於商業的一般條款和條件及資料隱私政策的詳細資訊，請參閱 [www.porsche.com/connect-store](http://www.porsche.com/connect-store) 中的內容。

充電設備的一般資料傳輸可能會產生需支付網路服務供應商的額外費用。您可透過 My Porsche 將儲存在 Porsche 的資料永久刪除。由於技術或法律限制，Porsche 充電設備的部分保時捷互聯系統 (Porsche Connect) 服務並非所有國家/地區都適用。

### 更多資訊

您可以前往 <https://www.porsche.com>，在「E-Performance」區域中找到有關充電器和網頁應用程式的更多資訊。

## 安全 安全指示

### ⚠ 危險

觸電、短路、起火、爆炸

使用受損或故障的充電器及受損或故障的電源插座，以及不當使用充電器或不遵照安全指示，皆會導致短路、觸電、爆炸、火災或燙傷。

- ▶ 只能使用經 Porsche 認可和提供的配件，例如：電源線和車載充電電源線。
- ▶ 請勿使用受損和/或髒汙的充電器。請先檢查連接線和插頭連接是否損壞和髒汙，再行使用。
- ▶ 務必將充電器連接至正確安裝且未受損的電源插座，以及無故障情形的用電設施。
- ▶ 請勿使用延長線、纜線收捲器、多孔電源插座或(旅行用)轉接器。
- ▶ 雷雨時請將充電器和主電源斷開。
- ▶ 請勿修改或維修任何電氣組件。
- ▶ 僅可由專家檢修故障並進行修護。

### ⚠ 危險

觸電、起火

使用充電端口為高壓電池充電時，錯誤安裝電源插座可能導致觸電或起火。

- ▶ 電源測試與安裝，以及充電器電源插座的初始操作作業務必由合格的電氣技師操作。此人應負起全責，確保遵守相關標準和規範。Porsche 建議您選用通過認證的 Porsche 服務合作夥伴。
- ▶ 電源插座電源纜線的截面積必須根據電線長度以及當地適用法規和標準規定。
- ▶ 充電用的電源插座必須連接至具備獨立保險絲的電路，以符合當地法律及規範。
- ▶ 充電器適用於私人 and 半公開場所(例如私人房地產或公司停車場)。部分國家/地區(例如：義大利和紐西蘭)禁止在公共場所使用第 2 模式充電。
- ▶ 在無人看管的狀態下進行充電時，未經授權的人員(如嬉戲的孩童)或動物不得接近充電器和車輛。
  - ▷ 請務必詳閱安裝手冊和車主手冊中的安全指示。

### ⚠ 危險

觸電、起火

錯誤處理插頭接點可能導致觸電或起火。

- ▶ 請勿碰觸充電端口和充電器的接點。
- ▶ 請勿將任何物件插入充電端口或充電器。
- ▶ 防止電源插座和插頭連接與濕氣、水和其他液體接觸。

### ⚠ 警告

可燃或爆炸性氣體

充電器的零組件可能產生火花，並點燃可燃或爆炸性氣體。

- ▶ 若要降低爆炸風險，特別是在車庫中，充電時，請確定操作裝置至少離地 50 cm。
- ▶ 不得將充電器安裝於具潛在爆炸危險的環境中。

僅限印尼



禁止更改可能對周圍環境造成物理和或磁干擾的規格

為了符合電磁波暴露限制(1999/519/EC)的相關規定，充電器的安裝位置至少應與所有人保持 20 cm 的距離。

## 低功率射頻電機技術規範

低功率 0002 (LP0002)

修訂日期：107 年 1 月 10 日

禁制啟動裝置 智慧型旅程 智慧型旅程:

第十二條雙門跑車認證認證套件 - 世界其他地區，非各種形式，經認證的認證認證認證認證版  
第十四條 低性能認證 門牌干擾，經認證 前防護，無線電 低性能 智慧認證

4.7.9.1 字樣: 冰島

## 4.7.9.2 高強化版,天窗,俯視影像中心位置

為了確保充電器連續充電，請遵循下列指示和建議：

- 安裝新電源插座時，請選擇具最高使用動力率的工業電源插座 (適用家用電氣安裝)，並應由合格電氣技師執行。Porsche 建議您選用通過認證的 Porsche 服務合作夥伴。
- 在技術可行且法律允許的情況下，進行電氣安裝時，請確定使用的電源插座最大額定功率值可供車輛充電。
- 安裝前請先確認目前的生活用電設施可連續提供車輛充電所需的必要動力率。視需要使用能源管理系統來保護生活用電設施。
- 盡可能在已接地的交流電源系統中操作充電器。防護導體必須正確安裝。
- 如果不確定如何進行家用電氣安裝，請洽合格的電氣技師。Porsche 建議您選用通過認證的 Porsche 服務合作夥伴。
- 如果您想搭配光電系統來使用充電器，請洽保時捷合格授權的專業維修廠。
- 為了充分利用充電器，並確保車輛快速充電，請使用 NEMA 電源插座搭配適用最高額定電流的電源插頭或符合 IEC 60309 的工業電源插座。
- 當透過家用/工業電源插座對高壓電池進行充電時，用電設施可能會達到最大容量負載。Porsche 建議您定期請合格電氣技師檢查用於充電的用電設施。請詢問合格電氣技師適合您設施的檢查週期。Porsche 建議您選用通過認證的 Porsche 服務合作夥伴。
- 充電時的充電電流會自動受限，以免用電設施過熱。請合格的電氣技師操作充電器，並設定符合家用設施的充電電流限制。
  - ▷ 請參閱第 585 頁的「充電電流限制」章節。

## 正確用途

充電器內含適用於第 2 模式充電的控制與保護機制，可為配備高壓電池的車輛充電，符合電動車一般適用標準和指令。

- ▶ 請一律使用適用於當地主電源的裝置版本。
  - ▷ 請參閱第 599 頁的「技術資料」章節。

充電器只能用作電源線、控制單元和車載充電電源線的組合。

此裝置可於室外使用。

## 零配件



圖 275: 零配件

- A** 電源線 (可從操作裝置拆下)
- B** 連接主電源的電源插頭
- C** 操作裝置
- D** 車載充電插頭 (車輛接頭)
- E** 車載充電電源線 (可拆式或固定在操作裝置上，視國家/地區而定)
- F** 密碼函

**i** 資訊

選配組件：視國家/地區而定，充電器可搭配多種壁掛座使用，如壁掛基座或充電座。

## 存取資料

您的裝置隨附密碼函，其中包含充電器與網頁應用程式所需的 Web Application 完整資料。

- ▶ 請將密碼函存放於安全處。

**i** 資訊

如果遺失裝置隨附的存取資料，如預設 PIN 碼及初始密碼，請洽保時捷合格授權的專業維修廠。

- 請備妥充電器序號。  
▶ 請參閱第 570 頁的「充電器序號」章節。

密碼函包含以下內容：

名稱	意義
序列號	充電器序號
WiFi MAC	WiFi 介面的 MAC 地址
電網 MAC	家用 PLC 介面的 MAC 地址
車輛 MAC	車輛 PLC 介面的 MAC 地址
WiFi SSID	- WiFi 存取點的 SSID - 主機名稱
WiFi PSK	網路金鑰
家庭使用者密碼	網頁應用程式的初始家庭使用者密碼
客戶服務密碼	網頁應用程式的初始客戶服務密碼
PIN 碼	個人識別碼
PUK 碼	個人解鎖金鑰

**i** 資訊

主機名稱由以下項目組成：

充電器 + 序號 (範例：  
MobileChargerConnect-1234567)

**i** 資訊

安全欄位包含了所需的存取代碼 (PIN 碼和 PUK 碼)。這些代碼在此欄位中有特殊墨水覆蓋。必須用水沾濕這個欄位，油墨才會褪色，進而讓代碼顯現出來。

沾濕時請勿在欄位上擦拭或刮擦，否則代碼可能會損毀。

## PIN 碼和 PUK 碼

PIN 碼和 PUK 碼可用來解鎖充電器。

- ▶ 如果遺失或忘記自己設定的 PIN 碼，請輸入 PUK 碼並設定新的 PIN 碼即可解鎖充電器。
- ▶ 如果遺失或忘記 PUK 碼，請洽保時捷合格授權的專業維修廠。

## 網頁應用程式密碼

變更登入網頁應用程式的密碼 Web Application。

使用初始密碼時：

- ▶ 如果遺失或忘記初始密碼，請洽保時捷合格授權的專業維修廠。

使用自行設定的密碼時：

- ▶ 如果遺失或忘記自行設定的密碼，可將充電器恢復為出廠設定並重新啟用初始密碼 (設定 ▶ 原廠設定)。

## 充電器序號

您可在以下位置找到充電器序號：

- 密碼函中「Serial NumberSerial Number」的後方
- 識別牌 (操作裝置背面) 上「SNSN」縮寫的後方
- 充電器上：設定 ⚙️ ▶ 服務 ▶ 裝置資訊
- 網頁應用程式中 Web Application：設定 ▶ 服務 ▶ 資訊

## 保時捷 ID

充電器與您的 Porsche ID 配對完成後，充電器資訊與充電程序可顯示在 My Porsche 和 Porsche Connect App 中。

如果您不想再使用充電器，例如出售充電器時：

1. 取消 Porsche ID 與充電器的配對 (設定 ⚙️ ▶ 使用者設定檔)。
2. 將充電器恢復為原廠設定 (設定 ⚙️ ▶ 原廠設定)。

## 概觀

### 操作裝置上的接頭



圖 276: 操作裝置上的接頭

- A 電源線
- B 車載充電電源線

電源線 A 可移除並插入操作裝置頂部。

已移除車載充電電源線 B 並插入操作裝置底部。

## 充電器操作裝置

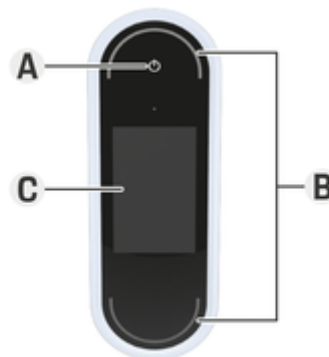


圖 277: 操作裝置

- A 電源按鈕 ⏻
- B 狀態 LED ○
- C 顯示

充電器可使用電源按鈕 A (圖 277) 開啟和關閉。

狀態 LED B (圖 277) 會顯示充電器的狀態。

與充電器的通訊會透過資訊和錯誤訊息形式顯示在顯示器 C (圖 277) 上。



## 顯示器面板的顯示和控制項目

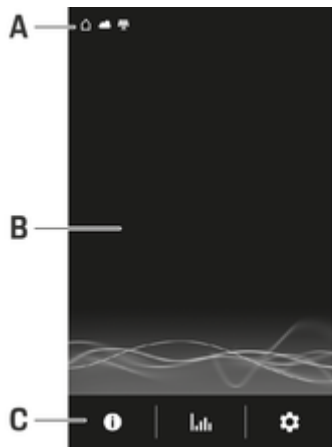


圖 278: 充電器顯示器

- A** 狀態列  
**B** 資訊區域  
**C** 主選單列

顯示器的亮度會由亮度感應器控制。亮度會根據環境照明自動調整。

## 狀態列

狀態列會顯示多種符號。  
 下方將概要說明狀態列符號的意義。

符號	意義
	有可用的 WiFi 連線
	有可用的伺服器連線
	正在下載軟體
	有可用的 PLC 網路連線
	熱點已啟用
	已在車內啟用充電設定檔。此設定檔已根據設定載入。
	已連接光電系統

## 狀態列

狀態列會顯示多種符號。  
 下方將概要說明狀態列符號的意義。

符號	意義
	有可用的 WiFi 連線
	有可用的伺服器連線
	正在下載軟體
	有可用的 PLC 網路連線

符號	意義
	熱點已啟用
	接地監視器已停用 (加拿大、墨西哥)
	充電器已連接至電源管理器
	已在車內啟用充電設定檔。此設定檔已根據設定載入。
	已連接光電系統

## i 資訊

某些符號會根據其重要性而重疊，因此看不到 (優先順序遞增的符號，例如 PLC 網路 < WiFi 連線 < 電源管理器)。

## 主選單列

主選單列會顯示多種符號。  
 下方將概要說明主選單列符號的意義。

符號	意義
	顯示目前充電期間的資訊
	顯示充電記錄
	配置設定
	有可用的軟體更新。

控制選項

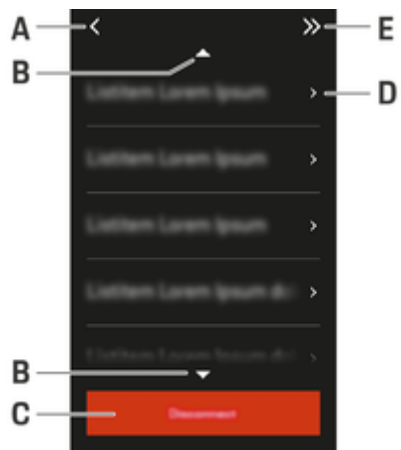


圖 279: 控制選項

- A 返回
- B 向上/向下
- C 活動
- D 詳細資訊
- E 略過

## 選擇安裝位置

**危險**

觸電、起火

不當使用充電器或未遵守安全指示，可能導致短路、觸電、爆炸、火災或燙傷。

- ▶ 不得將壁掛基座或充電座安裝於具潛在爆炸危險的區域中。
- ▶ 安裝壁掛基座或充電座前，請務必確認固定架的孔洞附近沒有任何電線。
- ▶ 若要降低爆炸風險，特別是在車庫中，充電時，請確定操作裝置至少離地 50 cm。
- ▶ 遵守當地現行電氣安裝法規、消防措施、防災法規和逃生路徑。

壁掛基座和充電座的設計可安裝於室內和室外。選擇適當的安裝位置時，請考量下列標準：

- 理想情況下，將電源插座和供電線路、壁掛基座或充電座安裝在室內區域內 (如車庫裡)，避免陽光直射及雨淋。
- 決定電源插座與地面和天花板的距離時，請遵循國家/地區法規和規範，以便正常使用。
- 不得將壁掛基座或充電座安裝於懸掛或吊掛物體的下方。
- 請勿將壁掛基座或充電座安裝於馬廄、獸舍或是會產生氨氣的地點。
- 請在平滑表面安裝壁掛基座或充電座。
- 為了確實固定，請先檢查牆壁的狀況再進行安裝。
- 盡量將壁掛基座或充電座安裝在最接近所偏好停車位置的地方。請考量車輛的停放方向。
- 將壁掛基座或充電座安裝於遠離通道和電源線不會橫跨任何通道的位置。
- 安裝壁掛基座或充電座時，電源插頭與電源插座的距離不得超過可用的電源線長度。

## 必要工具

- 水平儀
- 電鑽或錘鑽
- 螺絲起子

## 安裝 安裝壁掛座 安裝壁掛基座

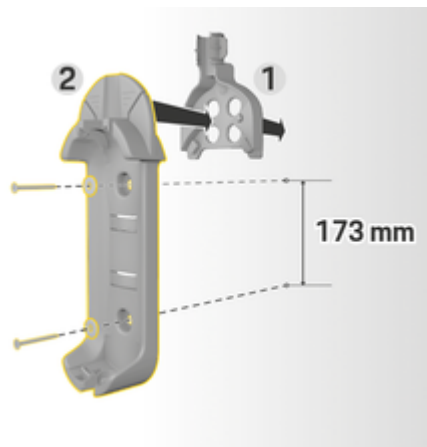


圖 280: 鑽孔尺寸

1. 在牆壁上標記鑽孔。
2. 鑽出固定架的孔洞，然後插入壁架塞。
3. 將壁掛基座 2 (圖 280) 從正面壓入導線板 1 (圖 280)。
4. 將壁掛基座用螺絲旋在牆壁上。

## 安裝接頭固定器

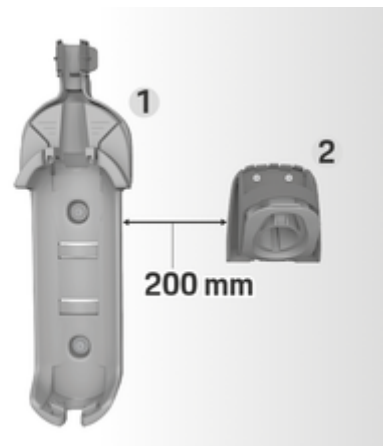


圖 281: 壁掛座與接頭固定器之間的距離

安裝接頭固定器時，請務必與壁掛基座保持 200 mm 的距離。

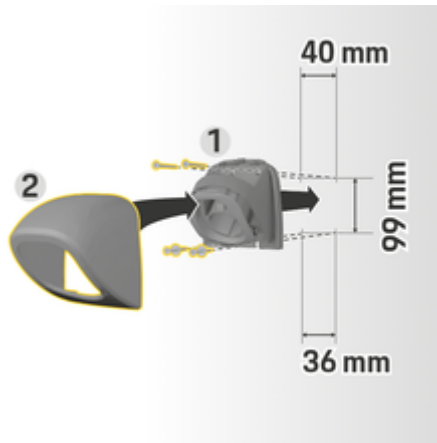


圖 282: 鑽孔尺寸

1. 從外蓋 2 (圖 282) 拆下接頭固定器 1 (圖 282)。
2. 在牆壁上標記鑽孔。
3. 鑽出固定架的孔洞，然後插入壁架塞。
4. 將接頭固定器 1 (圖 282) 用螺絲旋在牆壁上。
5. 將外蓋 2 (圖 282) 從下方裝到接頭固定器 1 (圖 282) 上，再向上推。

### 將操作裝置固定至壁掛座



圖 283: 固定操作裝置

1. 將車載充電電源線穿過壁掛底座下方開口，將操作裝置底部裝於鎖定卡榫，並朝後方推以接合。
2. 將電源線穿過壁掛基座的上方開口，並將扣環向左推加以鎖定。
3. 將車載充電插頭插入接頭固定器。

### 不使用墊片安裝

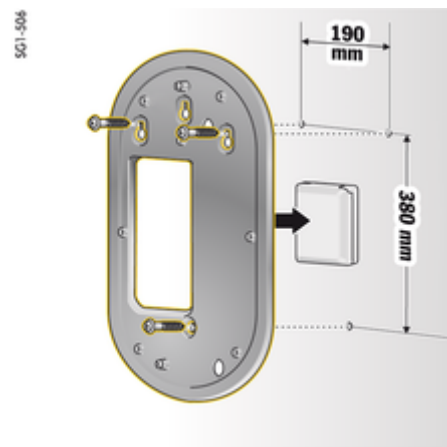


圖 284: 鑽孔尺寸

1. 在牆壁上標記鑽孔。
2. 鑽出固定架的孔洞，然後插入壁架塞。
3. 將裝配板用螺絲旋在牆壁上。

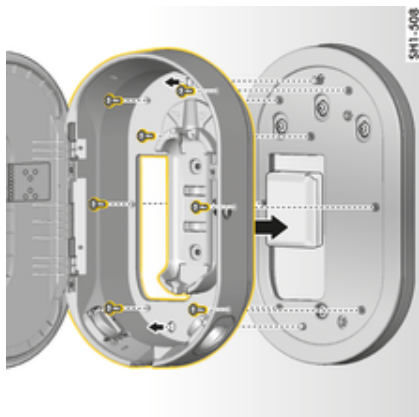


圖 285: 將充電座用螺絲旋在裝配板上

4. 將充電座用螺絲旋在裝配板上。

### 使用墊片安裝

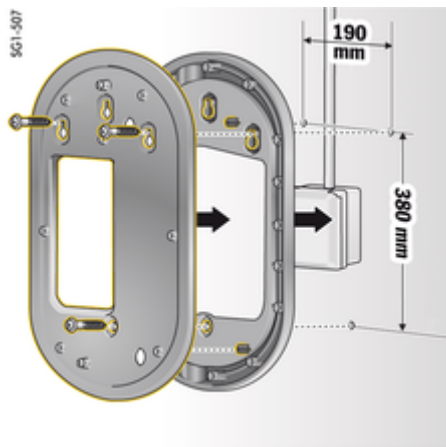


圖 286: 鑽孔尺寸

1. 在牆壁上標記鑽孔。
2. 鑽出固定架的孔洞，然後插入壁架塞。
3. 將裝配板和墊片用螺絲旋在牆壁上。

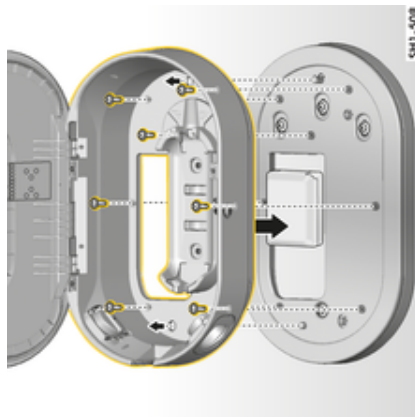


圖 287: 將充電座用螺絲旋在裝配板上

4. 將充電座用螺絲旋在裝配板上。

## 設定

### 車輛充電纜線和電源線

#### 有關車輛充電纜線和插頭的資訊

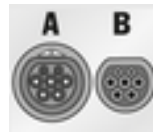
視車輛配備而定，提供不同的充電端口 **A** 和車載充電插頭 **B**。



IEC 62196-2/  
SAE-J1772-2009  
類型 1 UL/IEC



IEC 62196-2/  
SAE-J1772-2009  
類型 1



IEC 62196-2  
類型 2



GB/T 20234.2  
類型 GB

### 選擇電源線

若要以最佳充電速度穩定充電，僅可使用下列電源線。最大充電功率可達到 22 kW (視裝置類型、電源/家用插頭和車載充電器而定)。行駛於國外時，請務必攜帶合適的電源線，以便在前往的國家/地區使用。

**注意事項**

僅可使用國家/地區認可的電源線。下表列出了各國家/地區核准的電源線，及其相關定義。

國家/地區	電源線
俄羅斯、烏克蘭	5、6、7、8、C
阿布達比、以色列、新加坡	5, 6, 7, 8

不同國家/地區核准的電源線 (範例)  
視情況而定，車載充電電源線長度可為 2.5 或 7.5 公尺。部分國家/地區會對電源線、操作裝置與車載充電電源線的總長做出限制，例如瑞士為 5 公尺，以色列與美國則為 7.5 公尺<sup>1</sup>。

1. 截至印刷時間有效。詳細資訊請洽詢保時捷合格授權的專業維修廠或當地電力供應商。

### 工業電源插座專用電源線



**1**  
NEMA 14-30



**2**  
NEMA 14-50



**3**  
NEMA 6-30



**4**  
NEMA 6-50



**5**  
IEC 60309-2  
CEE 230 V/16 A  
6 h



**6**  
IEC 60309-2  
CEE 230 V/32 A  
6 h



**7**  
IEC 60309-2  
CEE 400 V/16 A  
6 h



**8**  
IEC 60309-2  
CEE 400 V/32 A  
6 h



**9**  
WCZ8 20 A

### 家用電源插座專用電源線

如果沒有可用的工業電源插座，也可使用下列電源線，以較低的充電功率充電。

- ▶ 部分國家/地區，例如阿布達比、以色列、新加坡與印度<sup>1</sup>，禁止使用家用電源插座充電。



**A**  
NEMA 5-15  
類型 B



**B**  
WCZ8 15 A



**C**  
CEE 7/5 ; CEE 7/7  
類型 E / 類型 F  
Schuko



**D**  
BS 1363  
類型 G



**E**  
AS 3112  
類型 I



**F**  
SEV 1011  
類型 J



**G**  
DS 60884-2-D1  
類型 K

1. 截至印刷時間有效。詳細資訊請洽詢保時捷合格授權的專業維修廠或當地電力供應商。





**H**  
CEI 23-16-VII  
類型 L 16 A (5 mm)



**I**  
IA6A3 (BS 546)  
類型 M

### NEMA 6-50/NEMA 14-50 (其他資訊)

#### ❶ 資訊

##### 範圍

這項使用建議僅適用於採用 NEMA 6-50/NEMA 14-50 標準的地區。

為車輛充電可能會產生高電流。因此，基於安全考量，必須使用經過認可的專用組件並且由專業人員安裝整個充電裝置。

##### 一般安全指示

#### ⚠ 危險

觸電和火災！

充電設備使用方式不正確以及不遵守安裝和安全指示，都可能導致短路、觸電、爆炸、火災或燙傷。

- ▶ 請留意充電設備手冊中的安裝指示。
- ▶ 請特別留意所有安全和警示注意事項。
- ▶ 交由經過必要電氣訓練且具備專業知識的人員進行安裝。
- ▶ 同時遵守有關執行電氣安裝的國家規定。

### 對主電源插座的要求

#### ⚠ 危險

不適合的主電源插座

不適合的主電源插座可能會導致短路、觸電、爆炸、火災或燙傷。

- ▶ 僅可使用適合此安裝的主電源插座類型 (請參閱適合的主電源插座/電源插頭類型)。
- ▶ 僅可使用符合接點表面和固定品質要求的主電源插座 (請參閱對主電源插座品質的要求)。
- ▶ 避免端子螺絲與接線之間的直接接觸。最好使用線端套圈。
- ▶ 避免將纜線卡在絕緣層上。

### 適合的主電源插座/電源插頭類型

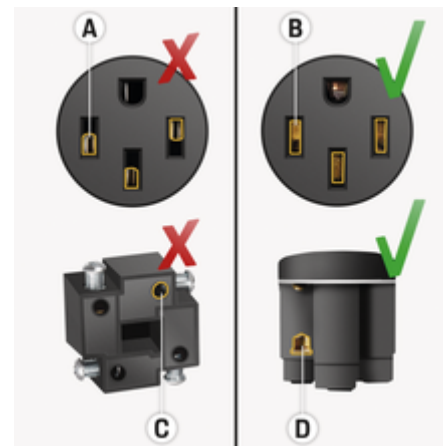


NEMA 6-50  
插座/插頭



NEMA 14-50  
插座/插頭

### 對主電源插座品質的要求



- A** 接點表面僅插頭接點高度的一半。
- B** 接點表面涵蓋插頭接點的完整高度。
- C** 端子螺絲與接線之間的接點表面很小。
- D** 端子板與接線之間的接點表面很寬。

### 對纜線安裝的要求

#### ⚠ 危險

不適合的電源線

使用不適合的電源線或電流過大可能會導致短路、觸電、爆炸、火災或燙傷。

- ▶ 纜線必須具有 50 安培的保險絲。
- ▶ 僅可使用最小截面積為 8 AWG (最好是 6 AWG) 的銅芯纜線。

## 對室外安裝的要求

**⚠ 危險** 直接接觸雨水

如果充電設備是在室外使用，直接接觸雨水可能會導致短路、觸電、爆炸、火災或燙傷。

- ▶ 請防止充電設備直接接觸雨水。
- ▶ 可使用 NEMA 3R 防雨機殼。

## 更換電源線與車載充電電源線

**⚠ 危險** 觸電

觸電可能會造成嚴重傷亡。

- ▶ 更換電源線前，請務必將電源線從電源插座拔下，並從充電端口拔下車載充電電源線。
- ▶ 僅在乾燥環境下更換纜線。
- ▶ 只能使用 Porsche 認可的纜線。

▶ 請參閱第 569 頁的「零配件」章節。

在部分國家/地區，如挪威、義大利、葡萄牙與西班牙<sup>1</sup>，僅有合格的電氣技師可以變更電源線。Porsche 建議您選用通過認證的 Porsche 服務合作夥伴。

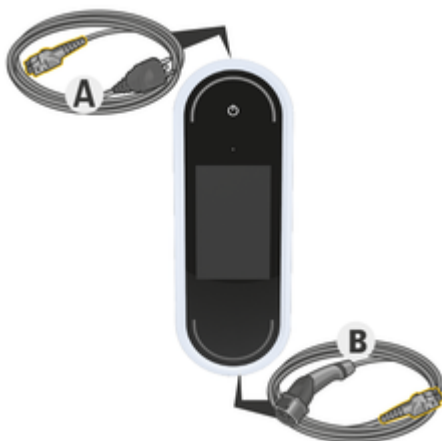


圖 288: 操作裝置上的接頭

電源線 A 可移除並插入操作裝置頂部。

已移除車載充電電源線 B 並插入操作裝置底部。

## 斷開纜線

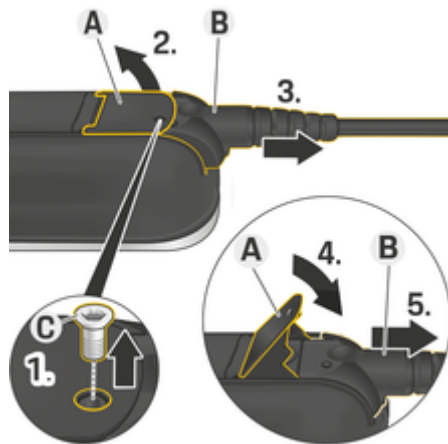


圖 289: 斷開纜線

✓ 高壓電池的充電作業已經結束，並已從充電端口拔掉車載充電插頭。

✓ 插頭已從電源插座拔下。

1. 使用適當工具拆下螺絲 C (圖 289)。

2. 抬起蓋板 A (圖 289)。

3. 拉出插頭 B (圖 289)，直到第一次感覺到阻力為止。

4. 關閉蓋板 A (圖 289)。

5. 完全拉出插頭 B (圖 289)。

1. 截至印刷時間有效。詳細資訊請洽詢保時捷合格授權的專業維修廠或當地電力供應商。

固定纜線

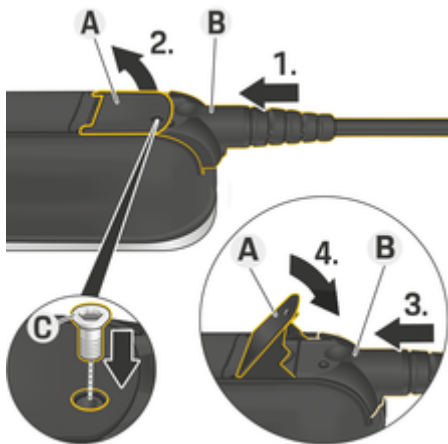


圖 290: 接上纜線並固定插頭

✓ 蓋板 A (圖 290) 已關閉。

1. 將插頭 B (圖 290) 插入操作裝置，直到第一次感覺到阻力為止。
2. 抬起蓋板 A (圖 290)。
3. 完全推入插頭 B (圖 290)。
4. 關閉蓋板 A (圖 290)。
5. 使用螺絲 C (圖 290) 將插頭 B (圖 290) 固定在操作裝置上。

## 初始操作和設定

### 啟動

初次著手使用充電器前，請先完成下列設定。

#### ❶ 資訊

- 標記為跳過的選項可略過。遭到略過的選項將不會進行配置。
- 您隨時都可以在顯示幕中變更設定 (⚙️)。

### 語言與國家/地區

1. 從清單中選取所需的語言，確認選擇。
2. 從清單中選取所需的國家/地區。
3. 確認選取的語言與國家/地區。

### 資料傳輸

- ▶ 閱讀並確認傳輸資料說明。

### 軟體更新

若要確保充電器可靠運作並能正常執行所有功能，請務必安裝最新軟體。

- ▶ 選擇並確認自動軟體更新設定。

**開啟** 充電器會檢查是否有可用的軟體更新並自動下載。

接著就可以直接開始安裝，也可以延後安裝。

**關閉** 充電器會檢查是否有可用的軟體更新並顯示相關訊息。接著就可以手動開始下載。

下載完成後即可直接開始安裝，也可以延後安裝。

如果無法建立與充電器的網際網路連線，也可以至 <https://www.porsche.com> 經由 **E-Performance** 區塊中的網址手動下載軟體更新，然後透過網頁應用程式安裝。

### 選擇網路

選擇連接家用網路的選項。此選項可使用跳過來略過。這樣就不會建立家用網路連線。如果充電器已連接至現有的家用網路，就可以提供進階功能與資訊。您可以透過 WiFi 或電力線通訊網路 (PLC 網路) 建立連線。如果沒有可用的家用網路，可在充電器上設定熱點。

#### ❶ 資訊

不支援且無法使用不受密碼保護的公共 WiFi 網路。

### 透過 WiFi 連線

1. 選取 WiFi。
2. 從偵測到的 WiFi 網路清單中選擇家用網路。
3. 輸入您的密碼並確認。

### 透過 PLC 配對按鈕連線

1. 選取 PLC 配對按鈕。
2. 啟動 PLC 數據機上的連線程序。按一下充電器上的 OK 以確認。

連接設定後，請使用連線進行確認。

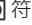
- ➔ PLC 網路連線已啟動。

如果已建立 PLC 網路連線，狀態列將顯示 ☑ 符號。

### 透過 PLC 安全碼連線

如果選擇此方法，就必須使用裝有 PLC 網路控制軟體的裝置。

- 若要使用安全碼建立 PLC 網路連線，請選擇 **PLC 安全碼**。  
➔ 顯示幕上會出現安全碼。
- 在 PLC 網路控制軟體的相關選單中輸入安全碼，將充電器整合至 PLC 網路中。  
➔ PLC 網路連線已啟動。

如果已建立 PLC 網路連線，狀態列將顯示  符號。

#### 資訊

PLC 特性：

- 車輛與基礎設施的介面各自獨立
- PLC 至 IEEE P1901
- 家用插頭 AV
- 加密：128 位元 AES
- 頻段：2-30 MHz

### 使用者設定檔 (配對 Porsche ID)

充電器與您的 Porsche ID 配對完成後，充電器資訊與充電程序可顯示在 My Porsche 和保時捷互聯 (Porsche Connect) 應用程式中。

### 使用 Porsche ID 配對充電器：

- ▶ 在裝置瀏覽器上開啟充電器顯示幕顯示的網站，然後輸入使用者代碼。  
- 或 -  
掃描充電器顯示的 QR 碼。掃描 QR 碼的方式如下：
  - 使用保時捷互聯 (Porsche Connect) 應用程式 (我的帳戶 > 充電纜線與裝置 > 掃描 QR 碼)。
  - 使用裝置上的相機 (iOS 11 或更新版本，Android 則不同)。
  - 使用掃描 QR 碼的應用程式。

如果充電器配對成功，安裝精靈會進入下一個步驟。

### 連接電源管理器

如果有可用的電源管理器，您可以建立其連線。之後，電源管理器會負責控制充電程序。

- ▶ 如需連接的相關指示，請參閱電源管理程式操作手冊。

如果沒有可用的電源管理器，則會使用輸入至充電器的充電電流為車輛充電：


- ▶ **設定**  ▶ **調整充電電流**

▶ 請參閱第 582 頁的「調整充電電流」章節。

### 熱點

如果無法整合至家用網路中，充電器可以啟用熱點，然後用來建立充電器網頁應用程式的連線。

- ▶ 若要建立熱點，請按一下 **啟用熱點**。

建立熱點之後，狀態列就會出現  符號。

#### 資訊

如果您使用的是 Android 系統，可能需要另外確認連線是否已建立，以便建立熱點連線。

### 調整充電電流

如果家用網路中沒有可用的電源管理器，可在此設定充電器的許可充電電流上限。

所顯示的最大值是依據連接的纜線類型而定。

- ▶ 將充電電流設定為充電器所用主電源的最大值。請用 + 和 - 進行設定。

▶ 請參閱第 585 頁的「充電電流限制」章節。

### 裝置保護

您可以設定 PIN 碼提示，以預防未經授權的車輛連接充電器。

- 若要啟用 PIN 碼提示，請選擇 **開啟**。
- 輸入四位數的 PIN 碼，然後確認。
- 再次輸入 PIN 碼並確認。  
➔ 已確認啟用 PIN 碼提示。

### 完成安裝

- ▶ 使用 **摘要** 檢查輸入的設定，然後完成安裝。

### 使用網頁應用程式啟動：

在開始使用充電器與 Web Application 網頁應用程式前，必須先設定好充電器。接著，必須在充電器與裝置 (電腦、平板或智慧型手機) 間建立連線。

## 在網頁應用程式中初次啟動的條件

首次使用 Web Application 網頁應用程式時請備妥以下資訊：

- Porsche Mobile Charger Connect 的密碼函用於登入充電器的 Web Application 網頁應用程式
- 家用網路的存取資料
- 使用者設定檔 (與您的 Porsche ID 連結) 的存取資料

網頁應用程式支援以下瀏覽器：

- Google Chrome 版本 57 或更新版本 (建議使用)
- Mozilla Firefox 版本 52 或更新版本 (建議使用)
- Microsoft Internet Explorer 版本 11 或更新版本
- Microsoft Edge
- Apple Safari 版本 10 或更新版本

## 登入充電器

### ❶ 資訊

您會在隨附的密碼函找到用於登入充電器的資料。安全欄位包含了存取代碼 (PIN 碼和 PUK 碼)。這些代碼在此欄位中有特殊墨水覆蓋。

必須先使用自來水將此欄位弄濕，代碼才會變得清楚可見。

弄濕時請勿在欄位上擦拭或刮擦，否則代碼可能會損毀。

- ✓ 充電器已開啟。
  - ✓ 準備好密碼函。
1. 從密碼函中找出 PIN 碼。請將安全欄位用水弄濕，即可看到 PIN 碼。
  2. 輸入 PIN 碼。

## 開始設定充電器

請使用設定精靈設定充電器。設定精靈會引導您完成安裝步驟。完成設定後才能正常使用充電器。

▶ 如需設定充電器的詳細資訊，請參閱保時捷行動充電互聯裝置操作手冊。

## 概觀

網頁應用程式提供比充電器更多的設定選項。

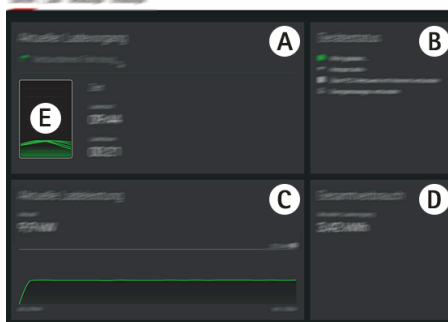


圖 291: 網頁應用程式概覽

### A 目前充電期間

顯示目前充電程序的資訊，如開始時間及充電時間長度。

### B 裝置狀態

顯示裝置的資訊，例如：

- 目前充電狀態
- 使用的網路連線
- 與電源管理器 (若有) 的連線狀態
- 是否有可用的軟體更新
- 接地監視器的停用狀態

### C 電流充電容量

從充電器到負載的電流 [單位為千瓦]。  
特性：曲線顯示充電開始後的充電功率進展，以及總耗電量 [單位為千瓦]。  
在曲線上選一個時間，查看該時間的充電點。

### D 耗能

目前充電程序的總耗電量 [單位為度]。

### E 充電狀態

概覽所用的顏色代表充電器的充電狀態：

- 紅色：錯誤訊息
- 藍色：充電已暫停
- 綠色：車輛充電中
- 白色：沒有車輛接上充電器

## 操作

### 操作說明

在部分國家/地區，連接電動車充電設備時必須告知相關主管機關。

- ▶ 連接充電設備前，請先查明向主管機關報備的任何義務以及法令規範。

#### 注意事項

#### 充電器損壞

- ▶ 充電時，務必將充電器放置在堅硬的表面上。
- ▶ Porsche 建議在壁掛基座或充電座上操作充電器。在部分國家/地區，例如瑞士<sup>1</sup>，充電器只能在壁掛基座或充電座中使用。
- ▶ 請勿將充電器浸入水中。
- ▶ 請勿使充電器積雪和結冰。
- ▶ 小心對待充電器，並避免充電器因車輛輾過、掉落、拉扯、彎曲或碾壓而損壞。
- ▶ 請勿掀開充電器外殼。

#### 注意事項

#### 充電器損壞

在  $-30^{\circ}\text{C}$  至  $+50^{\circ}\text{C}$  的溫度範圍內才可以操作充電器。

- ▶ 為了防止在操作期間過熱，請避免持續讓充電器受陽光直射。如果發生過熱情況，充電將自動中斷，直到溫度降回正常範圍內為止。
- ▶ 如果充電器過熱或過冷，請讓其緩慢回復至工作溫度範圍，並避免主動加以冷卻或加熱（例如使用冷水進行冷卻，或使用吹風機加熱）。

## 充電

### 充電說明

#### 充電端口

如需將車載充電電源線連接至充電端口和從充電端口斷開，以及充電端口的充電和連接狀態的相關資訊：

- ▶ 請參閱車主手冊。



危險

觸電、起火

因起火或觸電而重傷或死亡的風險。

- ▶ 進行充電程序時請務必遵守規定順序。
- ▶ 請勿在充電期間將車載充電電源線從充電端口拔下。
- ▶ 將車載充電電源線從充電端口拔下前，請先結束充電程序。
- ▶ 在充電期間，請勿從電源插座拔下充電器。

顯示幕會顯示錯誤並以紅色狀態 LED 表示。錯誤訊息、原因與補救措施也會一併顯示。

- ▶ 請參閱第 594 頁的「失效」章節。

### 充電時間

充電持續時間可能因下列因素而異：

- 所用的電源插座（家用電源插座或工業電源插座）
- 各國家/地區的交流電源電壓和電流
- 充電器上充電電流限制設定
- 主電源電壓波動
- 車輛和充電器的環境溫度。如果溫度接近允許的環境溫度限制值，充電時間可能會拉長。

1. 截至印刷時間有效：如需更多資訊，請洽保時捷合格授權的專業維修廠。

▶ 請參閱第 586 頁的「啟用與停用接地監視器」章節。

- 高壓電池和操作裝置的溫度
- 啟用座艙預冷/預熱
- 電源插頭和車載充電插頭的電流負載容量

### **i** 資訊

因為各國家/地區的主電源系統不同，故提供多種纜線版本。這可能導致無法使用完全的充電功率。如需更多資訊，請洽保時捷合格授權的專業維修廠。

## 開始、暫停和結束充電

### 開始充電

1. 將插頭插入電源插座。

- ☉ 電源按鈕亮白燈。
- 狀態 LED 亮白燈。
- ➔ 開啟顯示器。

2. 將車載充電插頭插入充電端口。

- ☉ 電源按鈕亮白燈。
- 狀態 LED 閃白燈。

如需將車載充電電源線連接至充電端口的相關資訊：

▶ 請參閱車主手冊。

- ➔ 連線建立且自行測試成功後，狀態 LED 會亮白燈。

3. 充電自動開始。

- ☉ 電源按鈕亮白燈。
- 狀態 LED 閃綠燈。

4. 數分鐘後，充電器會切換為待命模式。

- ➔ 車輛開始充電。

### **i** 資訊

- 充電由車輛控制。僅能於車輛上停止充電。
- 除非充電器處於待命模式，否則顯示幕都會顯示充電狀態。按下電源按鈕 ☉，即可再次開啟顯示器。
- 過熱關閉功能可防止充電時發生過熱情形。

### 暫停充電

充電由車輛控制，而且有時可能會暫停充電（例如為了讓電力消耗最佳化）。

操作裝置會顯示暫停充電情形：

- ☉ 電源按鈕亮白燈。
- 狀態 LED 閃藍燈。
- 開啟顯示器。

車輛會自動再次開始充電。可於車輛上停止充電。

### 停止充電

- ✓ 已成功完成充電。
- ☉ 電源按鈕亮白燈。
- 狀態 LED 亮綠燈。
- 顯示器開啟，並顯示所完成充電程序的相關資訊。數分鐘後，充電器會切換為待命模式。
- ▶ 從充電端口斷開車載充電插頭。

### 充電電流限制

操作裝置自動偵測電壓和可用電流。充電所用的充電功率可使用充電電流限制進行設定。已儲存最近一次的充電電流設定。為了防止用電設施過熱，使用家用電源插座時，輸送的充電電流會自動限制在 50%。

如果充電器已連接電源管理器，充電電流就會以電源管理器的預設值為限。充電電流上限也有可能因家用網路中的其他耗電裝置（例如電熱器或熱水器）而降低。設定的充電功率不得高於所用電路的功率上限。如果您對此有疑慮，請洽詢合格電氣技師。

### 隨插即用

使用 Plug & Charge，車輛可以在住家和公共區域使用合適的充電基礎設施充電，不需手動初始化充電站或充電器的充電程序。充電程序會自動依充電服務供應商合約計費。

- ✓ 車輛的智慧充電功能已啟用。
- ✓ 適用 Plug & Charge 的充電基礎設施。
- ✓ 充電服務供應商的合約包括 Plug & Charge。

### Private Plug & Charge

如果 Mobile Charger Connect 裝置保護已啟用，僅可以 PIN 碼輸入開始充電 ▶ 請參閱第 582 頁的「裝置保護」章節。可防止外部存取。

### 車輛清單 (登記車輛)

輸入 PIN 碼後，系統會提示車輛是否要進入車輛清單 Mobile Charger Connect。經過同意後 Mobile Charger Connect 車輛的一次性配對會在插入充電纜線後立即偵測車輛並啟動充電程序。因此在此車輛上所有其他充電程序無需輸入 PIN 碼。

### 喚出車輛清單

可於 Mobile Charger Connect 登記車輛。每輛車都會單獨列在車輛清單中。

- ▶ 設定 ⚙ ▶ 選取車輛清單。

可從此清單再次將車輛刪除。



## 啟用與停用接地監視器



**危險**

觸電、短路、起火、爆炸

若在未啟動接地監視器的情況下使用充電器，可能會導致觸電、短路、火災、爆炸或燙傷。

- ▶ 盡可能在已接地的交流電源系統中操作充電器。
- ▶ 請只在使用未接地主電源系統時停用接地監視器。
- ▶ 請在使用接地主電源系統時啟用接地監視器。
  - ▷ 請參閱第 586 頁的「啟動接地監視器」章節。

## 停用接地監視器

- ✓ 顯示器會顯示中斷或缺少防護導體的錯誤訊息。
- ✓ 接地監視器已中斷充電程序，或阻止程序啟動。
  - ⊙ 電源按鈕亮紅燈。
  - 狀態 LED 亮紅燈。
 顯示器出現錯誤訊息。
- 1. 若要停用接地監視器，請選擇**確認**以確認錯誤訊息。
- 2. 按住電源按鈕 ⊙ 3 秒鐘。
- 3. 選擇**確認**以確認停用接地監視器。
  - ➔ 後續的充電程序都將停用監控。

## 啟動接地監視器

如果在已接地主電源系統下操作充電器，請啟動接地監視器。

1. 開啟**接地監視器**選單 (設定 ⚙️ ▶ **接地監視器**)。
2. 選擇**啟用**以啟用接地監視器。  
啟用接地監視器後，**接地監視器**選單項目就不會出現在**設定** ⚙️ 選單中。

## 登入網頁應用程式

若選擇網頁應用程式的標準使用類型，使用者類型請選取住家使用者。客戶服務使用者具有額外的設定選項，主要是由保時捷合格授權的專業維修廠進行服務時所使用。

- ✓ 準備好存取資料。
- 1. 在**使用者**欄位中選取適當的使用者。
- 2. 輸入密碼函中的密碼。

### **i** 資訊

若超過 25 分鐘沒有任何動作，使用者會自動登出網頁應用程式。

## 開啟網頁應用程式

其他配置選項和現有充電程序的詳細資訊，皆可透過專為各款充電器設計的網頁應用程式取得。

### **i** 資訊

- 根據您所使用的瀏覽器，網頁應用程式可能不會立即開啟，而是先顯示瀏覽器安全設定的相關通知。
- 開啟網頁應用程式時，您可能必須輸入網路金鑰。這要視裝置的作業系統而定。

## 透過熱點開啟網頁應用程式

您可透過充電器建立的熱點，於裝置上 (個人電腦、平板電腦或智慧型手機) 開啟網頁應用程式。

設定熱點：

- ▶ 請參閱第 582 頁的「熱點」章節。
- ▶ 若要在啟用熱點時開啟網頁應用程式，請於瀏覽器的網址列輸入以下 IP 位址：  
192.168.0.1

## 透過 WiFi 開啟網頁應用程式

您可以利用裝置 (個人電腦、平板電腦或智慧型手機) 登入與充電器相同的家用網路，在瀏覽器中開啟網頁應用程式。

- 在瀏覽器的網址列輸入充電器的目前 IP 位址。您可以在**設定** ⚙️ ▶ **網路** ▶ **網路資訊** 中找到 IP 位址。  
- 或 -  
在瀏覽器的網址列輸入充電器的主機名稱。主機名稱請參閱密碼函。

▶ 有關網頁應用程式的詳細資訊，請參閱手冊：  
<https://www.porsche.com/international/aboutporsche/e-performance/help-and-contact/>



## 使用網頁應用程式

### 開啟網頁應用程式


#### 建立與充電器的連線

如果在設定時已將充電器整合至現有的家用網路 (WiFi 或 Powerline Communication) · 就可以使用指定的 IP 位址存取網頁應用程式。

有關建立網路連線的資訊 · 請參閱第 588 頁的「連線」章節。


#### 透過 WiFi 開啟網頁應用程式

✓ 您的裝置與充電器位於同一個 WiFi 網路。

1. 開啟瀏覽器。
2. 在瀏覽器的網址列上：輸入設定時指定的 IP 位址 (在充電器的設定  ► 網路 ► 網路資訊 中) · 或充電器的主機名稱 (在密碼函裡)。

#### 透過電力線通訊開啟網頁應用程式

✓ 裝置與充電器透過 PLC 連線位於同一個網路。

1. 開啟瀏覽器。
2. 在瀏覽器的網址列上：輸入設定時指定的 IP 位址 (在充電器的設定  ► 網路 ► 網路資訊 中)。

#### 透過熱點開啟網頁應用程式

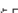
此外 · 可透過熱點來建立連線。充電器具有無線存取點 (熱點) · 由密碼保護且需要手動登入。具備 WiFi 功能的裝置可連線至熱點 · 然後存取充電器的網頁應用程式。您可隨時在網頁應用程式中將充電器整合至家用網路。

- ✓ 充電器已開啟。充電器會自動啟用 WiFi 熱點。
- 1. 在裝置的工具列或通知面板上 · 按一下網路或 WiFi 圖示。
- 2. 從清單中選取 WiFi 網路。WiFi 網路的名稱與密碼函中的 SSID 相同 · 會以 **ICCPD-#####** 的字樣顯示。
- 3. 按下「連線」按鈕。
- 4. 在**安全金鑰**欄位中 · 輸入安全碼 (在密碼函裡顯示為 **WiFi PSK**)。
  - ➔ 隨即建立 WiFi 網路連線。

注意：如果您使用 Windows 10 作業系統 · 必須先輸入路由器 PIN 碼。這時請選取使用網路安全碼連線連結 · 接著輸入安全碼。
- 5. 開啟瀏覽器。
- 6. 在瀏覽器的網址列輸入下列 IP 位址：  
**192.168.0.1**。

#### 資訊

如果您的裝置位於家用網路中 · 則無法再透過熱點 IP 位址 (192.168.0.1) 存取網頁應用程式 · 僅能透過自動指定的 IP 位址或充電器的主機名稱存取。

- 現有的 IP 位址項目：
  - 網頁應用程式：服務 ► 裝置資訊
  - 充電器：設定  ► 網路 ► 網路資訊
- 現有的主機名稱項目：
  - 密碼函
  - 網頁應用程式：服務 ► 裝置資訊

## 重新導向至網頁應用程式

#### 資訊

根據您所使用的瀏覽器 · 網頁應用程式可能不會立即開啟 · 而是先顯示瀏覽器安全設定的相關通知。

1. 在顯示的瀏覽器警示訊息中 · 選取**進階**。
2. 在下一個對話框中 · 選取**新增例外**。
  - ➔ 確認 SSL 憑證 · 並開啟網頁應用程式。

## 充電記錄

充電器的各個充電程序會依時間先後順序在此列出。每個充電程序均會提供下列資訊：

- 時間
- 充電時間
- 耗能
- 費用 (若有連接電源管理器)
- 使用的帳號 (若在啟用充電時有選取帳號)

網頁應用程式有提供選項 · 可讓您將充電記錄匯出為 Excel 檔案。

1. 選取匯出**充電記錄**。
2. 前往想使用的儲存位置後儲存檔案。

#### 資訊

針對每個進行中的充電程序 · 您可選擇使用**工作**與**個人**帳號 · 以進行評估作業。您可以在充電器上 · 於目前**充電程序**的資訊中 (選單列的 **i** 符號) · 選取帳號。下個充電程序也會套用這次的選擇 · 若有需要的話就必須更改。

## 連線

若要存取充電器網頁應用程式、其資訊及設定，您的裝置及充電器都必須位於家用網路中 (透過 WiFi 或 PLC 連線)。網頁應用程式的所有功能都可以透過家用網路的網際網路連線來使用。

如果使用地點沒有家用網路可用，您的裝置 (個人電腦、平板電腦或智慧型手機) 可以透過 WiFi 熱點直接登入充電器。不過如此一來就無網際網路連線，而只能使用安裝於本機的功能。

### **i** 資訊

如果您的裝置位於家用網路中，則無法再透過熱點 IP 位址 [192.168.0.1] 存取網頁應用程式，僅能透過自動指定的 IP 位址或充電器的主機名稱存取。

- 現有的 IP 位址項目：
  - 網頁應用程式：服務 ▶ 裝置資訊
  - 充電器：設定 ⚙ ▶ 網路 ▶ 網路資訊
- 現有的主機名稱項目：
  - 密碼函
  - 網頁應用程式：服務 ▶ 裝置資訊

### **i** 資訊

如果在設定時將熱點模式變更成 WiFi 網路連線 (反之亦然)，就需要再登入一次。

啟用熱點連線而未重新啟動時，您可以用 Powerline Communication 變更到家用網路。

### **i** 資訊

如果您使用網頁應用程式，只有在家用網路可連線時，才應該停用熱點連線。

- ▶ 選取想使用的網路連線 (熱點、WiFi、電力線通訊)。

## 熱點

您的裝置可透過其內建 WiFi 熱點，直接與充電器連線。

1. 選取設定熱點。
2. 在設定中，輸入熱點的網路名稱和安全碼。
  - ▶ 有關建立熱點連線的資訊，▶ 請參閱第 587 頁的「開啟網頁應用程式」章節。

## WiFi

### **i** 資訊

如果充電器已經透過熱點連線至裝置，您就無法同時連線至 WiFi 網路。您必須先停用熱點。

1. 啟用 WiFi。
2. 選擇選項 **連線至網路**。
3. 從清單中選取網路並輸入安全金鑰。不同網路：如果清單中沒有您使用的網路，請選取這個選項。
4. 選擇是否要自動指定 IP 位址 (建議使用)。
  - ➔ 與網路連線完成後就會顯示 IP 位址。清單中的網路名稱旁會顯示 **已連線** 狀態。

## 管理 WiFi 網路

選項	說明
不同網路	▶ 如果清單中沒有您的網路，請選取這個選項。
管理已知網路	▶ 選取刪除將已儲存的網路移除。這麼一來充電器就會連線到正確的網路。

## 與網路中斷連線

1. 選取目前連接的網路。
2. 選取 **中斷連線**，以中斷與 WiFi 網路的連線。

## 設定網路連線

1. 選取目前連接的網路。
2. 選取設定來變更 IPv4 位址和 DNS 伺服器的設定。

### **i** 資訊

網路連線會使用 2.4-GHz 頻帶。連線出現問題時，請停用網路路由器的 5-GHz 頻帶。

## 電力線通訊

您的充電器可透過 PLC 連線 (替代 WiFi) 與家用網路連線。選擇這種方式，必須使用現有的主電源來設定資料傳輸的區域網路。PLC 網路會將充電器註冊為用戶端。

如果要建立連線，充電器和 PLC 數據機可以透過配對按鈕相互連線。此時充電器會自動和 PLC 數據機配對。另一種連線方式為在 PLC 數據機上輸入充電器的安全碼。

- 啟用電力線通訊 (PLC)。
- 將充電器新增到 PLC 網路：
  - 選項 1：使用配對按鈕：
    - 在網頁應用程式中，選取以 **PLC 按鈕連線**。
    - 選取**開始配對**。
    - 如果要建立連線，請在 2 分鐘內按下 PLC 數據機上的配對按鈕。
    - 選取**連線**按鈕確認配對。
  - 選項 2：藉由輸入 PLC 安全碼：
    - 選取選項以 **PLC 安全金鑰建立連線**。安全碼隨即顯示。
    - 在 PLC 數據機的設定中輸入安全碼。

➔ 充電器會整合至 PLC 網路，同時建立連線。

#### 車輛的 PLC 連線

只有**客戶服務**使用者能看到並設定這項功能。如果 PLC 連線已停用，資料就不會再透過連接線傳輸到車輛。

特定的測量方式會要求您使用這種模式，例如：啟用資料傳輸功能時，充電作業預設會使用充電通訊協定 (高階通訊)。

停用資料傳輸功能時，充電作業以電子參數 (脈衝寬度調變) 為基準。

#### 新增電源管理器

若由電源管理器進行充電控制，充電器 (EEBus 裝置) 與電源管理器必須先相互連線。在電源管理器網頁應用程式及充電器網頁應用程式中 (或直接在充電器上) 都可建立連線。

#### 在電源管理器建立與充電器的連線

▶ 與充電器建立連線的程序記載於保時捷住家電源管理器網頁應用程式說明的「新增 EEBus 裝置」章節中。

#### 在充電器建立與電源管理器的連線

- ✓ 充電器與電源管理器位於同一個網路。
- 在充電器網頁應用程式中，前往**連線** ▶ **電源管理器**。
    - ➔ 電源管理器會顯示在**可用的電源管理器清單**中。
  - 選取並展開**電源管理器**。
  - 選取**配對裝置**。
    - ➔ 連線則查核完成。
  - 在**建立連線**對話框中，使用識別碼 (SKI) 再次檢查電源管理器身分，然後選取**連線**。
    - ➔ 電源管理器已成功連線，並顯示**電源管理器已連線**狀態。

充電器會採用電源管理器設定 (例如充電電流、過載保護、最佳化充電及費率設定的資訊)。

#### 中斷與電源管理器的連線：

- 在充電器網頁應用程式中，前往**連線** ▶ **電源管理器**。
  - ➔ 隨即顯示已連線的電源管理器，而且狀態為**電源管理器已連線**。
- 選取**中斷連線**。
  - ➔ 充電器就會與電源管理器中斷連線。

#### 配對使用者設定檔

##### 資訊

如要將資料傳輸到您的 Porsche ID 帳號，裝置必須連線到網際網路。

您也可以**在 Porsche ID 帳號中**擷取充電程序資訊。若要這樣做，必須將充電器與 Porsche ID 配對。

- 選取**連結使用者帳號**按鈕。
  - ➔ **連結使用者帳號**對話框隨即開啟。
- 視是否有網際網路連線而定，選取下列選項 (請參閱「網際網路連線選項」)。
- 在 Porsche ID 帳號網站中，輸入您的登入資料 (Porsche ID 和密碼)。

#### 網際網路連線選項

選項	說明
前往 <b>My Porsche</b>	<ul style="list-style-type: none"> <li>✓ 網頁應用程式已連線至網際網路。</li> <li>▶ 系統會直接將您導向至您的 Porsche ID 帳號。</li> </ul>
其他選項	<ul style="list-style-type: none"> <li>✓ 網頁應用程式未連線至網際網路。</li> <li>▶ 如果您的行動裝置有網際網路連線，可以掃描所顯示的 QR 碼，或是在瀏覽器中手動輸入所顯示的 URL。</li> </ul>

#### 設定

##### 系統

##### 展示模式

只有**客戶服務**使用者能看到這項設定。在展示模式中，會貼心顯示充電器的功能並模擬充電程序。在展示模式所做的設定並不會被套用。

✓ **客戶服務**使用者已登入。

▶ 啟用功能。

下次登入網頁應用程式時，展示模式會再次停用。

### 變更密碼

您可以變更網頁應用程式的登入密碼。選擇的新密碼會覆寫密碼函中的初始密碼。

- ▶ 選取變更並輸入新密碼。

### 啟用裝置保護

PIN 碼提示可保護您的充電器，預防未經授權的人員將您的充電器連接上車輛。

1. 啟用功能。
2. 輸入四位數的 PIN 碼，然後確認。
3. 再次輸入 PIN 碼並確認。
  - ▶ 已確認啟用 PIN 碼提示。

輸入這個 PIN 碼以解鎖充電器。

### 啟用訪客 PIN 碼

此外，您可以為其他使用者建立訪客 PIN 碼。

- ▶ 程序則與您指定 PIN 碼以保護裝置時相同。

### 資訊

訪客使用者無法設定充電器。

### 控制耗電量

啟用待命模式可節省電力。充電完成後就立即進入待命模式。

- ▶ 啟用待機模式。  
裝置需要一段時間才能退出待命模式，並再次開始使用。

### 資訊

長時間未使用後，充電器會自動切換為待命模式。首先，顯示幕的亮度會變暗，接著顯示幕會關閉。按下電源按鈕以再次啟動。

### 輸入語言與國家/地區

欄位	說明
語言	選取網頁應用程式的語言。
國家/地區	使用國家/地區。配置設定因國家/地區而異。如果您輸入的國家/地區不是實際使用地點，可能無法使用某些設定。

### 輸入日期與時間

欄位	說明
日期與時間	在有網路連線時，會自動套用日期與時間。 時區：可手動選擇。 設定時間：若無網路時間可供參考，請輸入時間。

### 單位

選取充電器要使用的參數和單位。

### 裝置顯示幕

這項設定可決定充電器的顯示幕亮度。

### 充電

#### 電網狀態

只有客戶服務使用者能看到這項設定。充電器會自動偵測此處顯示的電網狀態資訊。

顯示	說明
電網相位	電源線的相位數。
纜線類型	車輛充電纜線的類型。纜線類型提供設定最大充電電流時需要的重要資訊。
有限的操作	這個數字代表因過熱而受限的充電功率感應器： <ul style="list-style-type: none"> <li>- 0: 微控制器過熱</li> <li>- 1: 繼電器過熱</li> <li>- 2: 內部過熱</li> <li>- 3: 基礎設施纜線感應器 1 過熱</li> <li>- 4: 基礎設施纜線感應器 2 過熱</li> </ul>

### 接地監視器

 **危險** 觸電、短路、起火、爆炸

若在未啟動接地監視器的情況下使用充電器，可能會導致觸電、短路、火災、爆炸或燙傷。

- ▶ 盡可能在已接地的交流電源系統中操作充電器。
- ▶ 請只在使用未接地主電源系統時停用接地監視器。
- ▶ 請在使用接地主電源系統時啟用接地監視器。

若要啟用與停用接地監視器，請參閱第 586 頁的「啟用與停用接地監視器」章節。

## 調整充電電流

如果車輛的充電電流過高，可能會傷害保險絲，導致該保險絲涵蓋範圍發生斷電。

如果電源管理器已連接充電器，過載保護會監控充電器的充電電流。如果家用網路中沒有可用的電源管理器，就必須定義充電器的最大電流。

您輸入的充電電流不得超過電力設施可負荷的最大充電電流。

定義最大充電電流時需注意以下項目：

- 連接到充電器的纜線類型
- 連接到這條纜線或保險絲的其他負載

有關電源線及在其他國家/地區使用電源線的相關資訊，請參閱第 576 頁的「選擇電源線」章節。

### **i** 資訊

設定的充電功率不得高於電路的功率上限。

如果您對此有疑慮，請洽詢合格電氣技師。

### **i** 資訊

如果連接了電源管理器，您輸入的數值會被電源管理器的設定覆蓋。

- ✓ 車載充電電源線已接上充電器。
- ▶ 在網頁應用程式中使用控制器設定最小與最大充電電流。

## 服務

### 顯示裝置資訊

此資訊是根據充電器資料提供，例如：版本編號、序號和主機名稱。

出現錯誤訊息時，您的 Porsche 服務合作夥伴會需要這些資料。

## 顯示總運作時間資訊

顯示	說明
總耗電量	顯示此充電器所有先前充電程序的總耗電量。
總充電時間	顯示此充電器所有先前充電程序的總充電時間。

### 顯示事件日誌

只有**客戶服務**使用者能看到這項設定。此處顯示的事件日誌資訊與系統測試期間出現的錯誤訊息有關。會顯示主動和被動事件日誌。不同於被動事件，主動事件或錯誤目前仍持續存在。

- ▶ 選擇適當的記錄以檢視系統測試的錯誤訊息和結果。

### 安裝軟體更新

充電器預設會搜尋可用的軟體更新並下載。此設定會決定要自動或手動安裝軟體更新。**軟體版本**：顯示目前安裝的軟體版本。

### **i** 資訊

充電器必須連上網際網路才能找到軟體更新並下載。

### 自動更新

啟用這項功能時，充電器會自動安裝軟體更新。

- ▶ 選取**自動軟體更新**。

### 手動更新

當推出新的軟體版本時，概覽中的裝置狀態會顯示通知。

- ✓ **自動軟體更新**已停用。
- ▶ 選取**執行軟體更新**以開始安裝。

## 儲存設定

您的配置設定與先前輸入的資料可儲存成備份。有了這項備份後，就可以在必要時 (例如：重設為出廠設定後) 回復這些設定。您可以在網頁應用程式中手動建立備份。

密碼或個人資料 (例如充電記錄) 不會儲存在備份中。

### 建立備份

進行手動備份後，資料會儲存在裝置中。

- ✓ 您的裝置與充電器位於同一個網路。

1. 選取**匯出**。
2. 找出儲存位置。
3. 儲存備份檔案。

**指定密碼**：輸入密碼。

密碼會保護您的資料，在您匯入或回復備份時必須輸入密碼。

### 回復備份

您可以將儲存在裝置的備份檔案匯入充電器。

- ✓ 您的裝置與充電器位於同一個網路。

1. 選取**匯入**按鈕。
2. 找出備份檔案後選取該檔案。
3. 輸入儲存檔案時所用的密碼。

## 重設為原廠設定

如果啟用此功能，將刪除所有個人資料和設定，例如：充電記錄和網路設定。此外，所有密碼會重設為密碼函中的初始密碼。

- ▶ 啟用**重設為出廠設定**。  
若要建立備份，請參閱第 591 頁的「服務」章節。

## ❶ 資訊

如果設定重設為出廠狀態，下次啟動時設定精靈會協助您設定最重要的充電器設定。

## 充電座

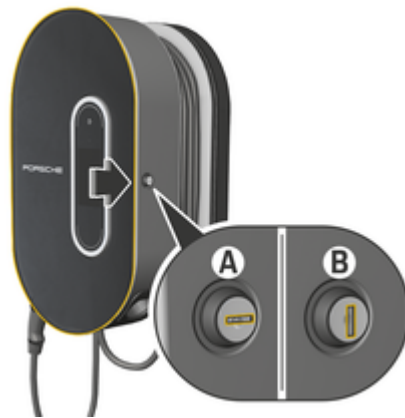


圖 292: 充電座

### 開啟充電座

- ▶ 依箭頭方向按壓充電座門板。門板自動開啟。

### 關閉充電座

- ▶ 關閉充電座門板並依箭頭方向壓入。

### 將充電座上鎖

- ▶ 將鎖孔轉至位置 A (圖 292)。

### 解鎖充電座

- ▶ 將鎖孔轉至位置 B (圖 292)。

## 將操作裝置固定在充電座上，以及從充電座拆下操作裝置

### 注意事項

充電器損壞

- ▶ 緊閉門板。
- ▶ 請勿將物體放在門板或充電座上。

### 將操作裝置固定在充電座上

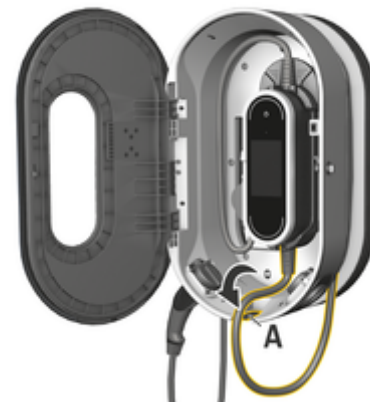


圖 293: 固定操作裝置

1. 開啟充電座門板。
2. 將操作裝置放入充電座的鎖定片底下，並在後方接合。
3. 將車載充電電源線穿過開口 A (圖 293)，並將任何多餘纜線纏繞在充電座周圍。
4. 將電源線插入電源插座。
5. 關閉充電座門板。

## 從充電座拆下操作裝置

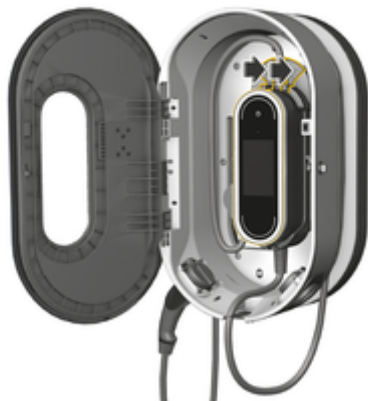


圖 294: 固定操作裝置

1. 開啟充電座門板。
2. 將電源線從電源插座斷開。
3. 將車載充電電源線完全從充電座解開。
4. 按下釋放開關(箭頭)·將操作裝置從充電座拆開並拆下。

## 失效

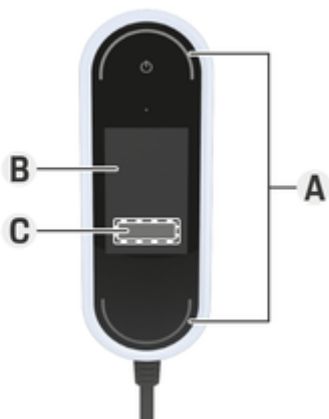


圖 295: 故障顯示

- A** 狀態 LED 亮紅燈  
**B** 錯誤訊息與原因  
**C** 補救措施

下列概觀會提供相關建議，協助您處理限制或造成車輛無法充電的故障情況。

發生故障或失效時，充電器會於顯示器上顯示對應的訊息。狀態 LED 與電源按鈕亮紅燈。錯誤訊息會顯示錯誤詳細資訊、發生錯誤的原因，以及補救措施。

- ▶ 請依照補救措施提供的指示操作。

#### 注意事項

#### 充電器損壞

- ▶ 如果故障依舊存在或是再度出現，請將充電器從主電源拔起，並洽詢合格的電氣技師。Porsche 建議您選用通過認證的 Porsche 服務合作夥伴。

情況	建議的動作
顯示幕 (螢幕、狀態 LED、電源按鈕) 完全停止運作。	<ul style="list-style-type: none"> <li>▶ 將充電器從主電源拔起並更換。</li> <li>▶ 請合格電氣技師檢查家用設施。</li> </ul>
顯示幕為空白，狀態 LED 顏色不變而電源按鈕亮紅燈。	<ul style="list-style-type: none"> <li>▶ 充電器過熱。將充電器與主電源斷開，讓充電器自行緩慢冷卻。</li> <li>▶ 若錯誤依舊存在，請更換充電器。</li> </ul>
作業受限或無法充電 (根據顯示器上的訊息)。	<ul style="list-style-type: none"> <li>▶ 確認電源線與車載充電電源線是否已連接至操作裝置上的正確位置，並正確插入接頭。</li> <li>▶ 確認充電器溫度在許可範圍內。 <ul style="list-style-type: none"> <li>▷ 請參閱第 599 頁的「技術資料」章節。</li> </ul> </li> <li>▶ 確認所顯示的任何錯誤訊息。</li> <li>▶ 重新啟動充電器。按下電源按鈕至少 10 秒鐘重新啟動。</li> </ul>
充電電流過低 (根據顯示器上的訊息)。	<ul style="list-style-type: none"> <li>▶ 家用網路發生過載。請關閉其他較高的電力負載。</li> </ul>



情況	建議的動作
主電源電壓過高 (根據顯示器上的訊息)。	<ul style="list-style-type: none"><li>▶ 請合格電氣技師檢查家用設施。</li></ul>
充電器並未處於允許的溫度範圍內 (根據顯示器上的訊息)。	<ul style="list-style-type: none"><li>▶ 關閉裝置溫度：避免陽光直接照射，讓充電器自行緩慢冷卻。</li><li>▶ 關閉低溫：待充電器於溫暖環境中回溫後，再加以使用。</li><li>▶ 裝置溫度感應器故障：請更換充電器。</li></ul>
已觸發家用設施的電路斷路器 (根據顯示幕上的訊息)。	<ul style="list-style-type: none"><li>▶ 降低充電器設定的充電電流。</li><li>▶ 確認所顯示的任何錯誤訊息。</li></ul>
顯示充電中斷： <ul style="list-style-type: none"><li>▶  電源按鈕亮白燈。</li><li>▶  狀態 LED 閃藍燈。</li><li>▶ 開啟顯示器。</li></ul>	<ul style="list-style-type: none"><li>▶ 等到車輛自動再次開始充電為止。</li><li>▶ 可於車輛上停止充電。</li></ul>

## 運送



警告

未固定負載

沒有固定、沒有正確固定或沒有正確擺放的充電器，在車輛煞車、加速、轉彎或意外事故中會滑動並且危害車上的乘員。

- ▶ 禁止在未固定充電器的情況下進行運送。
- ▶ 只能使用行李廂裝載充電器，請勿放在座艙（例如座椅上方或前方）。

### 固定充電器以進行運送

視車輛類型而定，充電器可能會隨附或未隨附攜行盒。

- ▶ 若有隨附攜行盒：請一律使用攜行盒存放和運送充電器。請將攜行盒用掛鉤固定在前後固定環上。

有關行李廂固定環的資訊：

▶ 請參閱車主手冊。

- ▶ 若未隨附攜行盒：將充電器放入後方行李廂運送。
- ▶ 請根據車型存放充電器，以免在危險狀態下危及乘員。

## 清潔及保養

定期檢查充電器是否有損壞或髒污，並視需要清潔。



**危險**

觸電、起火

因起火或觸電而重傷或死亡的風險。

- ▶ 請勿將充電器或插頭浸入水中或直接噴水 (例如：高壓清洗設備或園藝水管)。
- ▶ 請務必將操作裝置完全從主電源和車輛斷開，才能進行充電器的清潔作業。使用乾布進行清潔。

### 廢棄處理

請務必將電氣/電子裝置交予回收點或廢棄物管理設施。

- ▶ 請勿以一般居家廢棄物方式處理電氣/電子裝置。
- ▶ 請依適用環保法規棄置電氣/電子裝置。
- ▶ 若有與廢棄處理相關的問題，請洽保時捷合格授權的專業維修廠。

## 技術資料

電氣資料 9Y0.971.675...	BE MCC72E2 A <sup>1)</sup>	BG MCC11E3 A <sup>1)</sup>	BJ MCC22E3 A <sup>1)</sup>
動力	<b>7.2 kW</b>	<b>11 kW</b>	<b>22 kW</b>
額定電流	16 A, 2 相 32 A · 1 相	16 A, 3 相	32 A · 3 相
交流電源電壓	100 – 240 V/400 V	100 – 240/400 V	100 – 240/400 V
相位	2/1	3	3
交流電源頻率	50 Hz/60 Hz	50 Hz/60 Hz	50 Hz/60 Hz
過電壓類別 (IEC 60664)	II	II	II
整合剩餘電流裝置	類型 A (AC : 30 mA) + DC : 6 mA	類型 A (AC : 30 mA) + DC : 6 mA	類型 A (AC : 30 mA) + DC : 6 mA
保護等級	I	I	I
防護等級	IP55 (美國: 分類 3R)	IP55 (美國: 分類 3R)	IP55 (美國: 分類 3R)
傳輸頻帶	2.4 GHz, 5 GHz	2.4 GHz, 5 GHz	2.4 GHz, 5 GHz
傳輸功率	20 dBm	20 dBm	20 dBm
機械資料 9Y0.971.675...	BE MCC72E2 A <sup>1)</sup>	BG MCC11E3 A <sup>1)</sup>	BJ MCC22E3 A <sup>1)</sup>
操作裝置重量	2.54 kg	2.54 kg	2.54 kg
車載充電電源線長度	2.5 m 或 7.5 m	2.5 m 或 7.5 m	2.5 m 或 7.5 m
電源線長度	0.9 m	0.3 m	0.3 m

<sup>1)</sup> A 表示即將發生的設計變更,並且可能是字母字元。

壁掛座基座機械資料 9Y0.971.675...	BE MCC72E2 A <sup>1)</sup>	BG MCC11E3 A <sup>1)</sup>	BJ MCC22E3 A <sup>1)</sup>
壁掛座基座尺寸	385 x 135 x 65 mm (長度 x 寬度 x 高度)		
壁掛座基座重量	約 0.45 kg		
導線板尺寸	127 x 115 mm x 139 mm (長度 x 寬度 x 高度)		
導線板重量	約 0.42 kg		
接頭固定器尺寸	136 x 50 x 173 mm (長度 x 寬度 x 高度)		
接頭固定器重量	約 0.14 kg		
整個壁掛座基座重量	約 1 kg		
環境與儲放條件 9Y0.971.675...	BE MCC72E2 A <sup>1)</sup>	BG MCC11E3 A <sup>1)</sup>	BJ MCC22E3 A <sup>1)</sup>
環境溫度	-30 °C 到 +50 °C	-30 °C 到 +50 °C	-30 °C 到 +50 °C
空氣濕度	5% – 95% 非凝結狀態	5% – 95% 非凝結狀態	5% – 95% 非凝結狀態
海拔高度	最大海平面以上 5,000 m	最大海平面以上 5,000 m	最大海平面以上 5,000 m

<sup>1)</sup> A 表示即將發生的設計變更,並且可能是字母字元。

03725-21-12707

Este equipamento opera em caráter secundário, isto é, não tem direito à proteção contra interferência prejudicial, mesmo de estações do mesmo tipo, e não pode causar interferência a sistemas operando em caráter primário. Para maiores informações, consulte o site da ANATEL [www.anatel.gov.br](http://www.anatel.gov.br)



## 汽車牌照

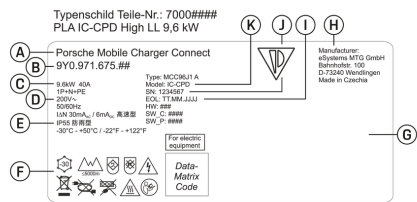


圖 296: 識別牌 (範例)

- A 產品名稱
- B 項目編號
- C 動力率和額定電流
- D 交流電源電壓
- E 防護等級
- F 操作圖像
- G 認證資訊
- H 製造商
- I 製造日期
- J 序號
- K 類型名稱

## 產品資訊

### 製造日期

充電器的製造日期如識別牌上「EOL i.O.」縮寫後之標示。

以下列格式顯示：生產日.生產月.生產年

### 充電器製造商

eSystems MTG GmbH  
Bahnhofstraße 100  
73240 Wendlingen  
德國

## 電氣測試

如果對充電基礎設施 (例如 VDE 0702) 的定期電氣測試有疑問，請參閱 <https://www.porsche.com/international/accessoriesandservice/porscheservice/vehicleinformation/documents/> 或洽詢保時捷合格授權的專業維修廠。

## 法規遵循聲明

充電器配備無線電系統。  
這些音響系統製造商聲明音響系統均符合 2014/53/EU 指令的使用規格。  
下列網址提供歐盟符合性聲明的全文：  
▶ <http://www.porsche.com/international/accessoriesandservice/porscheservice/vehicleinformation/documents>

## 索引

## 3 劃

工具..... 574

## 5 劃

主機名稱..... 588

## 充電

  啟動..... 585

  結束..... 585

  暫停..... 585

## 充電功率

  檢視..... 583

充電狀態..... 583

充電座..... 592

  上鎖..... 592

  解開..... 592

  解鎖..... 592

  關閉..... 592

充電時間..... 584

充電期間的耗電量..... 583

## 充電程序

  耗電量..... 587

  檢視..... 587

充電電流限制..... 585

## 充電電纜

  纜線和接頭類型的充電纜線..... 576

充電端口..... 584

## 充電器

  充電功率..... 583

  充電狀態..... 583

  初始密碼..... 569

  連接..... 587

  裝置狀態..... 583

  圖解..... 566

充電器序號..... 570

充電器項目編號..... 599

出售充電器..... 570

失效..... 594

必要工具..... 574

本車主手冊中的符號..... 564

正確用途..... 568

目前充電程序..... 583

## 6 劃

## 存取資料

  網頁應用程式..... 569

存取資料..... 569

  充電器序號..... 570

安全指示..... 567

## 安裝充電座

  安裝墊片..... 575

安裝接頭固定器..... 574

安裝壁掛基座..... 574

## 7 劃

序號..... 601

## 技術資料

  電子資料..... 599

  機械資料..... 599

  環境和軸承條件..... 599

更多資訊..... 566

更換電源線與車載充電電源線..... 580

汽車牌照..... 601

## 車載充電纜

  電纜和接頭類型..... 576

## 8 劃

固定以進行運送..... 596

法規遵循聲明..... 601

## 9 劃

保時捷 ID..... 570

保養..... 597

## 建立網路連線

  電力線通訊 (PLC)..... 588

  熱點..... 588

  WiFi..... 588

## 10 劃

家用網路..... 581

  主機名稱..... 588

  IP 位址..... 588

配對 Porsche ID..... 582

配對使用者設定檔..... 582, 589

## 11 劃

將操作裝置固定在充電座上..... 592

從充電座拆下操作裝置..... 592

## 接地監視器

  停用..... 586

  啟動..... 586

控制選項..... 572

啟動..... 581

  網頁應用程式..... 582

清潔..... 597

產品資訊..... 601

設定 DNS 伺服器..... 588

設定 IPv4 位址..... 588

設定 PIN 碼提示..... 582

設定精靈..... 583

軟體更新..... 581

## 連線

  電源管理器..... 582

  熱點..... 582

  PLC 安全碼..... 581

  PLC 配對按鈕..... 581

  WiFi..... 581

## 12 劃

登入充電器..... 583

## 13 劃

匯出充電記錄..... 587

## 裝上充電座

  不含墊片..... 576

裝置保護..... 582



- 資料保護聲明..... 566
- 資料傳輸..... 581
- 運送：固定充電器..... 596
- 零配件..... 569
- 電源管理器..... 582
- 配對..... 589
- 新增..... 589
- 調整充電電流..... 582
- 電源線..... 576
- 電源纜線
- 工業插座..... 578
- 家用插座..... 578
- 14 劃**
- 圖像..... 566
- 網頁應用程式
- 初始密碼..... 569
- 解開..... 586
- 熱點..... 586
- 遺失密碼..... 569
- WiFi..... 586
- 製造日期..... 601
- 製造商..... 601
- 語言與國家/地區..... 581
- 15 劃**
- 廢棄處理..... 598
- 熱點..... 582
- 設定..... 588
- 調整充電電流..... 582
- 請參閱車主手冊
- 更多資訊..... 566
- 資料保護聲明..... 566
- 16 劃**
- 操作裝置..... 570
- 固定至壁掛座..... 575
- 接頭概觀..... 570
- 顯示..... 571
- 操作說明..... 584
- 輸入帳號..... 589
- 選擇安裝位置..... 573
- 選擇網路..... 581
- 遺失存取資料..... 569
- 17 劃**
- 總耗電量
- 目前充電程序..... 583
- 20 劃**
- 警示注意事項的結構..... 564
- 23 劃**
- 變更網頁應用程式
- 密碼..... 569
- 顯示
- 主選單列..... 571
- 狀態列..... 571
- 語言與國家/地區..... 581
- 瀏覽..... 572
- 27 劃**
- 纜線
- 固定..... 581
- 斷開..... 580
- I**
- IP 位址..... 588
- P**
- PIN 碼和 PUK 碼
- 遺失..... 569
- 變更密碼..... 569
- W**
- WiFi 網路
- 未知的網路..... 588
- 連接..... 588
- 管理..... 588
- 斷開..... 588

## เกี่ยวกับคู่มือผู้ขับขี่นี้

### คำเตือนและสัญลักษณ์

คู่มือผู้ขับขี่เล่มนี้มีคำเตือนและสัญลักษณ์หลายประเภท  
บาดเจ็บสาหัสหรือถึงแก่ชีวิต



**อันตราย**

การไม่ปฏิบัติตามคำเตือนที่จัดอยู่ในประเภท "อันตราย"  
จะทำให้ได้รับบาดเจ็บสาหัสหรือถึงแก่ชีวิต



**คำเตือน**

อาจได้รับบาดเจ็บสาหัส-  
หรือถึงแก่ชีวิต

การไม่ปฏิบัติตามคำเตือนที่จัดอยู่ในประเภท "คำเตือน"  
อาจทำให้ได้รับบาดเจ็บสาหัสหรือถึงแก่ชีวิต



**ข้อควรระวัง**

อาจได้รับบาดเจ็บปานกลาง-  
หรือเล็กน้อย

การไม่ปฏิบัติตามคำเตือนที่จัดอยู่ในประเภท "ข้อควร  
ระวัง" อาจทำให้ได้รับบาดเจ็บปานกลางหรือเล็กน้อย

### คำแนะนำ

อาจเกิดความเสียหายกับรถ

การไม่ปฏิบัติตามคำเตือนที่จัดอยู่ในประเภท "ข้อควรจำ"  
อาจทำให้เกิดความเสียหายกับรถ



**ข้อมูล**

ข้อมูลเพิ่มเติมจะระบุโดยใช้คำว่า "ข้อมูล"

- ✓ การใช้งานฟังก์ชันต้องมีลักษณะตรงตามเงื่อนไข
- ▶ คำแนะนำที่ต้องปฏิบัติตาม
- 1. หากคำแนะนำมีหลายขั้นตอน จะมีการใส่หมายเลข-  
กำกับไว้
- 2. คำแนะนำที่ต้องปฏิบัติตามจะแสดงผลกลาง
- ▶ หมายเลขระบุตำแหน่งที่คุณจะพบข้อมูลสำคัญเพิ่มเติม-  
เกี่ยวกับหัวข้อนั้นๆ

## Deutsch

### สำหรับคู่มือผู้ขับขี่

คำอธิบายสัญลักษณ์.....	606
ข้อมูลความเป็นส่วนตัวของข้อมูล.....	606
ข้อมูลเพิ่มเติม.....	606

### การรักษาความปลอดภัย

คำแนะนำเพื่อความปลอดภัย.....	607
การใช้งานที่เหมาะสม.....	608

### อุปกรณ์ที่ให้มา

ข้อมูลการเข้าใช้งาน.....	609
--------------------------	-----

### ภาพรวม

การเชื่อมต่อกับหน่วยควบคุม.....	610
หน่วยควบคุมอุปกรณ์ชาร์จ.....	611
หน้าจอแสดงผลและส่วนควบคุม.....	611

การเลือกตำแหน่งการติดตั้ง.....	613
--------------------------------	-----

เครื่องมือที่จำเป็น.....	614
--------------------------	-----

### ติดตั้ง

การติดตั้งอุปกรณ์ชาร์จติดผนัง.....	614
การติดตั้งโดยไมโซลเปเซอร์.....	615
การติดตั้งโดยโซลเปเซอร์.....	616

### การตั้งค่า

สายชาร์จและสายที่ให้มา.....	616
การใช้งานและการกำหนดค่าเบื้องต้น.....	621
การเปิดด้วยเว็บแอปพลิเคชัน.....	623
การล็อกอินเข้าอุปกรณ์ชาร์จ.....	623
การเริ่มตั้งตามอุปกรณ์ชาร์จ.....	623
ภาพรวม.....	623

### การใช้งาน

คำแนะนำในการใช้งาน.....	624
การชาร์จ.....	625
การล็อกอินเข้าเว็บแอปพลิเคชัน.....	627

การใช้เว็บแอปพลิเคชัน.....	627
แทนชาร์จ.....	634

ความผิดปกติ.....	635
------------------	-----

การขนส่ง.....	637
---------------	-----

การทำความสะอาดและบำรุงรักษา.....	638
----------------------------------	-----

การกำจัด.....	639
---------------	-----

### ข้อมูลทางเทคนิค


แผ่นป้ายชื่อ.....	642
ข้อมูลการผลิต.....	642
ผู้นำเข้า.....	642

ดัชนี.....	644
------------	-----

## สำหรับคู่มือผู้ขับขี่

### คำอธิบายสัญลักษณ์

อาจมีสัญลักษณ์หลายรูปแบบติดอยู่บนอุปกรณ์ชาร์จ ทั้งนี้ขึ้นอยู่กับแต่ละประเทศ


 ใช้งานอุปกรณ์ชาร์จเมื่ออยู่ในช่วงอุณหภูมิตั้งแต่ -30 °C ถึง +50 °C

 ไม่ควรใช้งานอุปกรณ์ชาร์จเมื่ออยู่บนระดับความสูงเกิน 5,000 เมตรเหนือระดับน้ำทะเล

 อุปกรณ์ชาร์จประกอบด้วยสายดินแบบไม่มีสวิตช์


 อุปกรณ์ชาร์จประกอบด้วยสายดินแบบมีสวิตช์



 กำจัดอุปกรณ์ชาร์จตามกฎหมายการกำจัดขยะที่กำหนด



 อย่าใช้สายต่อพ่วงหรืออุปกรณ์ฉนวนเก็บสาย


 อย่าใช้อะแดปเตอร์ (เดินทาง)


 ห้ามใช้เต้ารับหลายตัว


 ห้ามใช้อุปกรณ์ชาร์จที่มีระบบอิเล็กทรอนิกส์หรือสายต่อผิดปกติ

  มีความเสี่ยงที่จะเกิดไฟดูดเนื่องจากใช้งานไม่เหมาะสม

  ปฏิบัติตามคู่มือผู้ขับขี่ที่หามา โดยเฉพาะคำเตือนและคำแนะนำเพื่อความปลอดภัย


   พื้นผิวของอุปกรณ์ชาร์จอาจร้อนมาก

 ห้ามใช้งานอุปกรณ์ชาร์จในระบบจ่ายไฟหลักที่ไม่ได้ต่อสายดิน เช่น เครื่องขยาย ไอที ควรใช้งานอุปกรณ์ชาร์จในระบบจ่ายไฟหลักที่ต่อสายดินเท่านั้น

 ควรใช้งานอุปกรณ์ชาร์จในเครื่องขยายเฟสเดียวเท่านั้น

 เครื่องชาร์จจำเป็นต้องใช้แหล่งจ่ายไฟ AC

 ระบุว่าเป็นปลั๊กประเภท 1 โดยมีช่วงแรงดันไฟฟ้า ≤ 250 VAC

 ระบุว่าเป็นปลั๊กประเภท 2 โดยมีช่วงแรงดันไฟฟ้า ≤ 480 VAC

## ข้อมูลความเป็นส่วนตัวของข้อมูล

เพื่อให้แน่ใจว่าอุปกรณ์ชาร์จของ Porsche สือสารได้อย่างถูกต้อง และอัปเดตอยู่เสมอ Porsche จึงรวบรวมและประมวลผลข้อมูลเฉพาะของเครื่องที่ชาร์จแล้วจัดส่งไปนี้จากอุปกรณ์ชาร์จเป็นประจำ: ID อุปกรณ์, ยี่ห้อ, รุ่น, ประเภทอุปกรณ์ และเวอร์ชันซอฟต์แวร์

หากคุณต้องการมีตัวเลือกการใช้บริการ Porsche Connect อื่นๆ สำหรับอุปกรณ์ชาร์จ คุณจะต้องจับคู่อุปกรณ์ชาร์จของคุณเข้ากับบัญชี Porsche ID ของคุณ ซึ่งขอได้จากผู้จัดจำหน่าย Porsche Connect ในบางประเทศ ขณะใช้บริการ Porsche Connect Porsche จะรวบรวมและประมวลผลรายละเอียดส่วนบุคคลต่อไปนี้และข้อมูลเฉพาะของอุปกรณ์อื่นๆ เพื่อให้และแสดงบริการเหล่านี้: การระบุตัวตนลูกค้า สถิติ ข้อมูลกระบวนการชาร์จ สถานะการเชื่อมต่อ และเวลาที่บันทึกไว้เมื่อมีการเชื่อมต่อครั้งล่าสุด คุณสามารถดูข้อมูลเพิ่มเติมเกี่ยวกับข้อกำหนดและเงื่อนไขทั่วไปของธุรกิจและนโยบายความเป็นส่วนตัวที่ [www.porsche.com/connect-store](http://www.porsche.com/connect-store)

การถ่ายโอนข้อมูลตามปกติจากอุปกรณ์ชาร์จของคุณอาจมีค่าใช้จ่ายเพิ่มเติมจากผู้ให้บริการอินเทอร์เน็ตของคุณ คุณสามารถลบข้อมูลที่จัดเก็บไว้ที่ Porsche อย่างถาวรโดยใช้ My Porsche เนื่องจากข้อจำกัดทางเทคนิคหรือทางกฎหมาย บริการ Porsche Connect บางอย่างของอุปกรณ์ชาร์จของ Porsche จะไม่มีให้บริการในบางประเทศ

## ข้อมูลเพิ่มเติม

คุณจะได้รับข้อมูลเพิ่มเติมเกี่ยวกับอุปกรณ์ชาร์จและ Web Application ในหัวข้อ "E-Performance" ที่ <https://www.porsche.com>

## การรักษาความปลอดภัย

### คำแนะนำเพื่อความปลอดภัย

#### ⚠️ อันตราย

ไฟดูด ไฟฟ้าลัดวงจร ไฟไหม้ ระเบิด

การใช้อุปกรณ์ชาร์จที่ชำรุดหรือบกพร่องหรือตัวรับไฟฟ้าที่ชำรุด การใช้อุปกรณ์ชาร์จที่ไม่เหมาะสมหรือไม่ปฏิบัติตามคำแนะนำเพื่อความปลอดภัยอาจก่อให้เกิดไฟฟ้าลัดวงจร ไฟดูด การระเบิด ไฟไหม้ หรือการลุกไหม้

- ▶ ใช้อุปกรณ์เสริม เช่น สายไฟและสายสำหรับรถ ที่ผ่านการรับรองและได้รับจาก Porsche เท่านั้น
- ▶ ห้ามใช้อุปกรณ์ชาร์จที่ชำรุดและ/หรือเปราะบาง ตรวจสอบการเชื่อมต่อสายและปลั๊กว่ามีความเสียหายและสกปรกก่อนที่จะใช้งาน
- ▶ เชื่อมต่ออุปกรณ์เข้ากับตัวรับไฟฟ้าที่ไม่ชำรุดและติดตั้งไว้อย่างเหมาะสมและมีการติดตั้งระบบไฟฟ้าอย่างไว้ชอบกพร่องเท่านั้น
- ▶ ห้ามใช้สายต่อเพิ่ม อุปกรณ์ม้วนเก็บสาย ตัวรับหลายอัน หรืออะแดปเตอร์ (อเนกประสงค์)
- ▶ ปลดอุปกรณ์ชาร์จออกจากแหล่งจ่ายไฟหลักระหว่างเกิดพายุฟ้าคะนอง
- ▶ ห้ามตัดแปลงหรือซ่อมแซมอุปกรณ์ไฟฟ้าใดๆ
- ▶ ต้องให้ผู้เชี่ยวชาญเป็นผู้แก้ไขข้อบกพร่องและซ่อมแซมเท่านั้น

#### ⚠️ อันตราย

ไฟดูด, ไฟไหม้

ตัวรับไฟฟ้าที่ติดตั้งไว้ไม่เหมาะสมอาจเป็นสาเหตุให้เกิดไฟดูดหรือไฟไหม้เมื่อมีการชาร์จแบตเตอรี่ไฟฟ้าแรงดันสูงโดยใช้พอร์ตชาร์จรถ

- ▶ การติดตั้งและการทดสอบแหล่งจ่ายไฟ และการทำงานตัวรับไฟฟ้าครั้งแรกสำหรับอุปกรณ์ชาร์จจะต้องดำเนินการโดยช่างไฟฟ้าที่ผ่านการรับรองเท่านั้น บุคคลนี้จะต้องเป็นผู้รับผิดชอบให้มีการดำเนินการตามกฎหมายและมาตรฐานที่เกี่ยวข้อง Porsche ขอแนะนำให้คุณใช้ศูนย์บริการของ Porsche ที่ผ่านการรับรอง
  - ▶ ส่วนตัดขวางของสายไฟสำหรับเต้าเสียบไฟฟ้าต้องกำหนดตามความยาวของสายและกฎระเบียบและมาตรฐานที่ใช้ในประเทศ
  - ▶ ตัวรับไฟฟ้าที่ใช้สำหรับชาร์จจะต้องเชื่อมต่อกับวงจรไฟฟ้าที่มีฟิวส์แยกต่างหากและตรงตามกฎหมายและมาตรฐานที่ใช้ในประเทศ
  - ▶ อุปกรณ์ชาร์จนี้มีไว้สำหรับใช้งานในพื้นที่ส่วนตัวและกึ่งสาธารณะ เช่น สถานที่ส่วนบุคคลหรือลานจอดรถของบริษัท ในบางประเทศ เช่น อิตาลีและนิวซีแลนด์ จะ**ห้ามใช้**การชาร์จโหมด 2 ในที่สาธารณะ
  - ▶ ผู้ที่ไม่ได้รับอนุญาต (เช่น เด็กๆ ที่กำลังเล่นกัน) หรือสัตว์ต่างๆ จะต้องไม่สามารถเข้าถึงอุปกรณ์ชาร์จและระยะระหว่างที่ชาร์จรถอยู่โดยไม่มีคนดูแล
- ▶ อ่านคำแนะนำเพื่อความปลอดภัยในคู่มือการติดตั้งและคู่มือผู้ขับขี่เสมอ

#### ⚠️ อันตราย

ไฟดูด, ไฟไหม้

การใช้งานหน้าสัมผัสที่ ไม่เหมาะสมอาจทำให้เกิดไฟดูดหรือไฟไหม้ได้

- ▶ ห้ามแตะที่หน้าสัมผัสตรงพอร์ตชาร์จรถและอุปกรณ์ชาร์จ
- ▶ ห้ามเสียบวัตถุใดๆ เข้าในพอร์ตชาร์จรถหรืออุปกรณ์ชาร์จ
- ▶ ป้องกันตัวรับไฟฟ้าและจุดต่อปลั๊กไม่ให้โดนความชื้น น้ำ และของเหลวอื่นๆ

#### ⚠️ คำเตือน

ไอระเหยไวไฟหรือระเบิด

ส่วนประกอบของอุปกรณ์ชาร์จสามารถก่อให้เกิดประกายไฟและทำให้ไอระเหยที่ไวไฟหรือระเบิดได้เกิดการติดไฟ

- ▶ เพื่อลดความเสี่ยงที่จะเกิดการระเบิด – โดยเฉพาะในที่จอดรถ – ต้องตรวจสอบให้แน่ใจว่าหน่วยควบคุมอยู่เหนือพื้นอย่างน้อย 50 ซม. ระหว่างการชาร์จ
- ▶ ห้ามติดตั้งอุปกรณ์ชาร์จในสภาพบรรยากาศที่อาจเกิดการระเบิดได้

สำหรับอินโดนีเซียเท่านั้น



Dilarang melakukan perubahan spesifikasi yang dapat menimbulkan gangguan fisik dan/atau elektromagnetik terhadap lingkungan sekitar

เพื่อให้สอดคล้องกับข้อกำหนดด้านการจำกัดการรับรังสีแม่เหล็กไฟฟ้า (1999/519/EC) ต้องติดตั้งอุปกรณ์ชาร์จโดยให้มีระยะห่างจากผู้คนอย่างน้อย 20 ซม.

ปฏิบัติตามคำแนะนำต่อไปนี้เพื่อชาร์จด้วยอุปกรณ์ชาร์จได้อย่างต่อเนื่อง:

- ขณะติดตั้งเต้ารับไฟฟ้าอันใหม่ ให้เลือกเต้ารับไฟฟ้าที่ใช้ในอุตสาหกรรมโดยมีกำลังไฟสูงสุดเท่าที่จะเป็นไปได้ (ปรับให้เข้ากับการติดตั้งไฟฟ้าสำหรับใช้ในบ้าน) และดำเนินการโดยช่างไฟฟ้าที่ผ่านการรับรอง Porsche ขอแนะนำให้คุณใช้ศูนย์บริการของ Porsche ที่ผ่านการรับรอง
- การติดตั้งไฟฟ้าจะต้องมีระยะที่เต้ารับไฟฟ้าสามารถจ่ายกระแสไฟฟ้าสูงสุดเพื่อใช้ในการชาร์จรถได้ โดยที่ถูกต้องตามหลักเทคนิคและกฎหมายอนุญาต
- ก่อนที่จะติดตั้ง ตรวจสอบว่าสามารถจ่ายกำลังไฟที่จำเป็นสำหรับการชาร์จได้อย่างต่อเนื่องด้วยการติดตั้งภายในบ้านตามสภาพปัจจุบัน หากจำเป็น ให้ป้องกันการติดตั้งระบบไฟบ้านด้วยระบบจัดการพลังงาน
- การใช้งานอุปกรณ์ชาร์จในระบบจ่ายไฟหลักที่ต่อสายดิน ต้องติดตั้งสายดินอย่างเหมาะสม
- หากคุณไม่แน่ใจเกี่ยวกับการติดตั้งระบบไฟฟ้าในบ้าน โปรดติดต่อช่างไฟที่ผ่านการรับรอง Porsche ขอแนะนำให้คุณใช้ศูนย์บริการของ Porsche ที่ผ่านการรับรอง
- หากคุณต้องการใช้อุปกรณ์ด้วยระบบเซลล์สุริยะ โปรดติดต่อตัวแทน Porsche
- เพื่อให้สามารถใช้งานรถขณะของอุปกรณ์ชาร์จได้เต็มที่และเพื่อให้แน่ใจได้ว่าการยนต์ของคุณจะชาร์จไฟได้อย่างรวดเร็ว ให้ใช้เต้ารับไฟฟ้า NEMA ซึ่งมีกระแสไฟฟ้าสูงสุดเท่าที่เป็นไปได้ที่เหมาะสมกับปลั๊กไฟหรือเต้ารับไฟฟ้าที่ใช้ในอุตสาหกรรมตามมาตรฐาน IEC 60309
- ขณะชาร์จแบตเตอรี่ไฟฟ้าแรงดันสูงผ่านเต้ารับไฟฟ้าที่ใช้ในบ้าน/เต้ารับไฟฟ้าที่ใช้ในอุตสาหกรรม การติดตั้งทางไฟฟ้าอาจได้รับภาระหนักเพิ่มพิกัด Porsche ขอแนะนำให้ช่างไฟฟ้าที่ผ่านการรับรองหมั่นตรวจสอบการติดตั้งทางไฟฟ้าที่ใช้สำหรับชาร์จรถสลับกันช่างไฟฟ้าที่ผ่านการรับรองถึงช่วงเวลาการ

ตรวจสอบที่เหมาะสมกับการติดตั้งของคุณ Porsche ขอแนะนำให้คุณใช้ศูนย์บริการของ Porsche ที่ผ่านการรับรอง

- กระแสไฟฟ้าสำหรับชาร์จจะจำกัดไว้โดยอัตโนมัติในวันที่ลมมรกด เพื่อป้องกันไม่ให้เกิดติดตั้งทางไฟฟ้าเกิดความร้อนสูงเกินไป ให้ช่างไฟฟ้าที่ผ่านการรับรองเป็นผู้ใช้งานอุปกรณ์ชาร์จ และตั้งขีดจำกัดกระแสไฟฟ้าสำหรับชาร์จตามที่จำเป็นสำหรับการติดตั้งระบบไฟฟ้าในบ้าน
  - ▶ โปรดดูบท "การจำกัดกระแสไฟฟ้าในการชาร์จ" ที่หน้า 626

### การใช้งานที่เหมาะสม

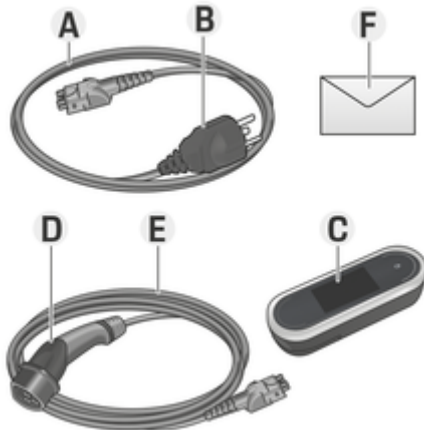
อุปกรณ์ชาร์จที่มีระบบควบคุมและป้องกันสำหรับการชาร์จโหมด 2 สำหรับชาร์จรถยนต์ที่ใช้แบตเตอรี่แรงดันไฟฟ้าสูง ซึ่งตรงตามมาตรฐานและข้อบังคับทั่วไปที่เกี่ยวข้องกับรถยนต์พลังงานไฟฟ้า

- ▶ ใช้อุปกรณ์รุ่นที่เหมาะสมสำหรับแหล่งจ่ายไฟหลักในบ้าน
  - ▶ โปรดดูบท "ข้อมูลทางเทคนิค" ที่หน้า 640

ควรใช้อุปกรณ์ชาร์จที่เป็นชุด ซึ่งประกอบด้วยสายไฟหน่วยควบคุม และสายของรถ

เหมาะสำหรับใช้งานภายนอกอาคาร

## อุปกรณ์ที่ใหม่



รูป . 297: อุปกรณ์ที่ใหม่

- A** สายไฟ (ถอดจากหน่วยควบคุมได้)  
**B** ปลั๊กไฟสำหรับเชื่อมต่อกับแหล่งจ่ายไฟ  
**C** หน่วยควบคุม  
**D** ปลั๊กกรด (ปลั๊กที่ต่อกับกรด)  
**E** สายของกรด (ถอดได้หรือยึดอยู่กับหน่วยควบคุม ขึ้นอยู่กับแต่ละประเทศ)  
**F** เอกสารข้อมูลการเข้าใช้งาน

**i** ข้อมูล

อุปกรณ์เสริม: มีอุปกรณ์ติดตั้งหลากหลายสำหรับ-  
 อุปกรณ์ชาร์จ ขึ้นอยู่กับแต่ละประเทศ เช่น อุปกรณ์ชาร์จ-  
 ติดผนังพื้นฐานหรือแท่นชาร์จ

## ข้อมูลการเข้าใช้งาน

เอกสารที่มีข้อมูลการเข้าใช้งานซึ่งมีข้อมูลทั้งหมดที่คุณ-  
 ต้องใช้สำหรับอุปกรณ์ชาร์จและ Web Application จะมีให้-  
 มาพร้อมกับอุปกรณ์ของคุณ

- ▶ เก็บรักษาเอกสารที่มีข้อมูลการเข้าใช้งานไว้ในที่-  
 ปลอดภัย

**i** ข้อมูล

หากคุณทำข้อมูลการเข้าใช้งานที่ถูกต้องหายไปเมื่อมี-  
 การส่งมอบรถของคุณ เช่น PIN ที่ตั้งไว้และรหัสผ่านเริ่ม-  
 ต้น โปรดติดต่อตัวแทน Porsche

- เตรียมหมายเลขซีเรียลของอุปกรณ์ชาร์จให้พร้อม  
 ▶ โปรดดูที่ "หมายเลขซีเรียลของอุปกรณ์ชาร์จ" ที่-  
 หน้า 610

เอกสารข้อมูลการเข้าใช้งานที่มีข้อมูลต่อไปนี้:

หน้าที่ที่กำหนด	ความหมาย
หมายเลขซีเรียล	หมายเลขซีเรียลของ- อุปกรณ์ชาร์จ
WiFi MAC	ที่อยู่ MAC ของ- อินเทอร์เน็ตเพลส WiFi
GRID MAC	ที่อยู่ MAC ของ- อินเทอร์เน็ตเพลส PLC ใน- เครื่อง
MAC ของกรด	ที่อยู่ MAC ของ- อินเทอร์เน็ตเพลส PLC ในกรด
WiFi SSID	- SSID ของจุดเข้าใช้- งาน WiFi - ชื่อโฮสต์
WiFi PSK	รหัสเครือข่าย

หน้าที่ที่กำหนด	ความหมาย
รหัสผ่านของ Home user	รหัสผ่านเริ่มต้นสำหรับ- เข้าสู่ระบบเว็บ- แอปพลิเคชันของ Home user
รหัสผ่านของ Customer service	รหัสผ่านเริ่มต้นสำหรับ- เข้าสู่ระบบเว็บ- แอปพลิเคชันของ Customer service
PIN	หมายเลข ID ส่วนตัว
PUK	รหัสปลดล็อคส่วนตัว

**i** ข้อมูล

**ชื่อโฮสต์** ประกอบด้วยองค์ประกอบต่อไปนี้:

ที่ชาร์จ+หมายเลขซีเรียล (ตัวอย่าง:  
 MobileChargerConnect-1234567)

**i** ข้อมูล

ขอความปลอดภัยจะมีรหัสเข้าใช้งานที่จำเป็น (PIN และ  
 PUK) ของนี้จะมีสี่ที่พิเศษที่ปิดรหัสเหล่านี้ไว้ ต้องทำของนี้-  
 ให้เปียกโดยการเปิดน้ำไหลผ่าน จะทำให้สี่นี้จึงจางมอง-  
 เห็นรหัส

ห้ามถูหรือขีดข่วนของนี้ขณะที่ขมมน้ำเพราะอาจทำให้รหัสเกิด-  
 ความเสียหายได้

## PIN และ PUK

รหัส PIN และ PUK ใช้สำหรับปลดล็อกอุปกรณ์ชาร์จ

- ▶ หากคุณหายหรือลืมรหัส PIN ที่คุณตั้งไว้เอง ให้ปลดล็อกอุปกรณ์ชาร์จโดยป้อนรหัส PUK และตั้งรหัส PIN อันใหม่
- ▶ หากคุณทำรหัส PUK หายหรือลืม โปรดติดต่อตัวแทน Porsche ของคุณ

## รหัสผ่านสำหรับเว็บแอปพลิเคชัน

รหัสผ่านใช้สำหรับเข้าสู่ระบบ Web Application

เมื่อใช้รหัสผ่านเริ่มต้น

- ▶ หากคุณทำรหัสผ่านเริ่มต้นหายหรือลืม โปรดติดต่อตัวแทน Porsche ของคุณ

เมื่อใช้รหัสผ่านที่คุณตั้งเอง:

- ▶ หากคุณลืมหรือทำรหัสผ่านที่คุณตั้งเองสูญหาย โปรดรีเซ็ตอุปกรณ์ชาร์จเป็นการตั้งค่าโรงงาน จากนั้นเปิดใช้งานรหัสผ่านเริ่มต้นอีกครั้ง (Settings ⚙️ ▶ การตั้งค่าจากโรงงาน)

## หมายเลขซีเรียลของอุปกรณ์ชาร์จ

หมายเลขซีเรียลของอุปกรณ์ชาร์จมีอยู่ในจุดต่างๆ ดังนี้:

- ในเอกสารข้อมูลการเข้าใช้งานหลัง "Serial Number/Serial Number"
- บนแผ่นป้ายเลขประจำตัว (ด้านหลังหน่วยควบคุม) หลังตัวย่อ "SNSN"
- บนอุปกรณ์ชาร์จ: Settings ⚙️ ▶ Maintenance ▶ Device information
- ในเว็บแอปพลิเคชัน Web Application: Settings ▶ Maintenance ▶ Information

## Porsche ID

เมื่อจับคู่อุปกรณ์ชาร์จกับ Porsche ID ของคุณ ข้อมูลเกี่ยวกับอุปกรณ์ชาร์จและกระบวนการชาร์จอาจแสดงขึ้นใน My Porsche และใน Porsche Connect App

หากคุณไม่ได้ใช้อุปกรณ์ชาร์จแล้ว เช่น หากคุณขาย:

1. ยกเลิกการจับคู่อุปกรณ์ชาร์จกับ Porsche ID ของคุณ (Settings ⚙️ ▶ โพรไฟล์ผู้ใช้)
2. รีเซ็ตอุปกรณ์ชาร์จเป็นการตั้งค่าจากโรงงาน (Settings ⚙️ ▶ การตั้งค่าจากโรงงาน)

## ภาพรวม

### การเชื่อมต่อกับหน่วยควบคุม



รูป . 298: การเชื่อมต่อกับหน่วยควบคุม

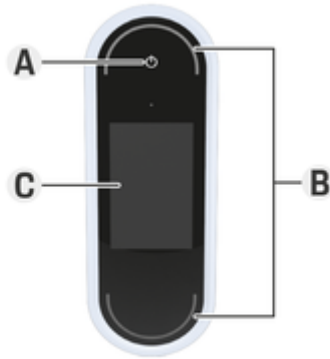
- |   |          |
|---|----------|
| A | สายไฟ    |
| B | สายของรถ |

คุณสามารถถอดและเสียบสายไฟ A ที่ด้านบนสุดของหน่วยควบคุม

ถอดและเสียบสายของรถ B ที่ด้านล่างสุดของหน่วยควบคุม



## หน่วยควบคุมอุปกรณ์ชาร์จ



รูป . 299: หน่วยควบคุม

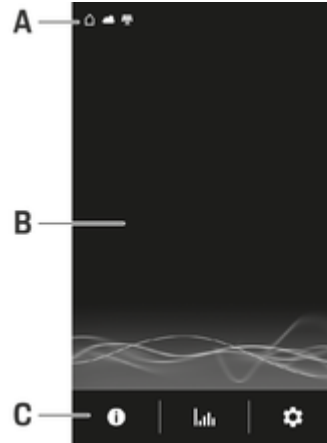
- A** ปุ่มเพาเวอร์ ☺  
**B** LED แสดงสถานะ ○  
**C** ตัวแสดงผล

คุณสามารถเปิดปิดอุปกรณ์ชาร์จโดยใช้ปุ่มเปิดปิด **A** (รูป 299)

LED แสดงสถานะ **B** (รูป 299) แสดงสถานะของอุปกรณ์ชาร์จ

การสื่อสารกับอุปกรณ์ชาร์จจะแสดงบนจอแสดงผล **C** (รูป 299) ในรูปแบบข้อมูลและข้อความแสดงข้อผิดพลาด

## หน้าจอแสดงผลและส่วนควบคุม







รูป . 300: จอแสดงผลของอุปกรณ์ชาร์จ

- A** แถบสถานะ  
**B** พื้นที่แสดงข้อมูล  
**C** แถบเมนู

เซ็นเซอร์ตรวจจับความสว่างควบคุมความสว่างของการแสดงผล ความสว่างจะปรับอัตโนมัติตามสภาพของแสงโดยรอบ

## แถบสถานะ

อาจมีสัญลักษณ์หลากหลายแสดงขึ้นในแถบสถานะ ภาพรวมต่อไปนี้แสดงความหมายของสัญลักษณ์ในแถบสถานะ

สัญลักษณ์	ความหมาย
	สามารถเชื่อมต่อกับ WiFi ได้
	สามารถเชื่อมต่อกับเซิร์ฟเวอร์ได้
	กำลังดาวน์โหลดซอฟต์แวร์
	มีการเชื่อมต่อข้อมูลกับเครื่องช่วย PLC
	เปิดใช้ซอตสปอตอยู่
	มีการเปิดใช้งานโปรไฟล์การชาร์จในรถ โปรไฟล์นี้โหลดมาตามการตั้งค่า
	เชื่อมต่อระบบเซลล์สุริยะ

## แถบสถานะ


อาจมีสัญลักษณ์หลากหลายแสดงขึ้นในแถบสถานะ ภาพรวมต่อไปนี้แสดงความหมายของสัญลักษณ์ในแถบสถานะ

สัญลักษณ์	ความหมาย
	สามารถเชื่อมต่อกับ WiFi ได้
	สามารถเชื่อมต่อกับเซิร์ฟเวอร์ได้
	กำลังดาวน์โหลดซอฟต์แวร์
	มีการเชื่อมต่อข้อมูลกับเครื่องช่วย PLC
	เปิดใช้ซอตสปลดอยู่
	ปิดใช้งานการตรวจสอบสายดิน (แกนดาเม็กซิโก)
	อุปกรณ์ชาร์จเชื่อมต่ออยู่กับ Energy manager
	มีการเปิดใช้งานโปรไฟล์การชาร์จในรถ โปรไฟล์นี้ไหลตามตามการตั้งค่า
	เชื่อมต่อระบบเซลล์สุริยะ
 ข้อมูล	สัญลักษณ์บางตัวทับซ้อนกันจึงทำให้มองไม่เห็นทั้งนี้ขึ้นอยู่กับความสำคัญ (สัญลักษณ์ที่มีลำดับความสำคัญเพิ่มขึ้น เช่น เครื่องช่วย PLC < การเชื่อมต่อ WiFi < Energy manager)

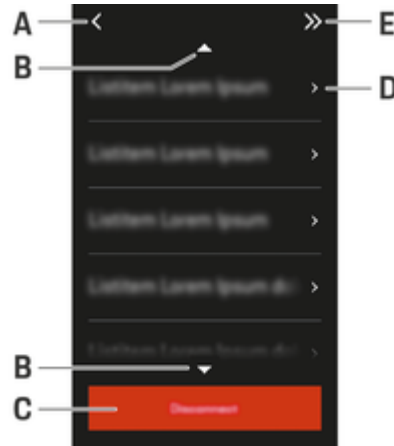
**แถบเมนู**

อาจมีสัญลักษณ์หลากหลายแสดงขึ้นในแถบเมนู

ภาพรวมต่อไปนี้จะแสดงความหมายของสัญลักษณ์ในแถบเมนู

สัญลักษณ์	ความหมาย
	แสดงข้อมูลเกี่ยวกับกระบวนการชาร์จในปัจจุบัน
	แสดงประวัติการชาร์จ
	การกำหนดค่าการตั้งค่า
	มีการอัปเดตซอฟต์แวร์

**ตัวเลือกการควบคุม**



รูป. 301: ตัวเลือกการควบคุม

- A ด้านหลัง
- B สูง/ต่ำ

- C กิจกรรม
- D รายละเอียด
- E ข้าม

## การเลือกตำแหน่งการติดตั้ง

### ⚠️ อันตราย

ไฟดูด, ไฟไหม้

การใช้อุปกรณ์ชาร์จที่ไม่เหมาะสมหรือไม่ปฏิบัติตามคำแนะนำเพื่อความปลอดภัยอาจทำให้เกิดไฟฟ้าลัดวงจร ไฟดูด การระเบิด ไฟไหม้ หรือการลัดวงจรได้

- ▶ ห้ามติดตั้งอุปกรณ์ชาร์จติดผนังพื้นฐานหรือแท่นชาร์จในบริเวณที่อาจเกิดการระเบิดได้
- ▶ ก่อนที่จะติดตั้งอุปกรณ์ชาร์จติดผนังพื้นฐานหรือแท่นชาร์จ ตรวจสอบให้แน่ใจว่าไม่มีสายไฟในบริเวณที่ถนนจะเจาะรูสำหรับติดตั้ง
- ▶ เพื่อลดความเสี่ยงที่จะเกิดการระเบิด โดยเฉพาะในจุดจอดรถ ต้องตรวจสอบให้แน่ใจว่าหน่วยควบคุมอยู่เหนือพื้นอย่างน้อย 50 ซม. ระหว่างการชาร์จ
- ▶ ปฏิบัติตามกฎระเบียบในประเทศสำหรับการติดตั้งทางไฟฟ้าที่เกี่ยวข้อง มาตรการป้องกันไฟไหม้ กฎระเบียบการป้องกันอุบัติเหตุ และเส้นทางหนีไฟ

อุปกรณ์ชาร์จติดผนังพื้นฐานและแท่นชาร์จออกแบบมาเพื่อติดตั้งไว้ภายในและภายนอกอาคาร ต้องพิจารณาหลักเกณฑ์ต่อไปนี้ขณะเลือกตำแหน่งการติดตั้งที่เหมาะสม:

- โดยหลักการแล้ว ควรติดตั้งเต้ารับ ไฟฟ้าและสายไฟ อุปกรณ์ชาร์จติดผนังพื้นฐานหรือแท่นชาร์จในบริเวณที่มีการป้องกันจากแสงอาทิตย์ส่องตรงและฝน (เช่น ในที่จอดรถ)
- ควรเลือกระยะห่างของเต้ารับ ไฟฟ้าจากพื้นและเพดานตามกฎหมายและมาตรฐานในประเทศเพื่อให้สามารถใช้งานได้อย่างสะดวก
- ห้ามติดตั้งอุปกรณ์ชาร์จติดผนังพื้นฐานหรือแท่นชาร์จไว้ใต้สิ่งของที่ห้อยหรือแขวนอยู่
- ห้ามติดตั้งอุปกรณ์ชาร์จติดผนังพื้นฐานหรือแท่นชาร์จในคอกปศุสัตว์ หรือในที่อาจมีก๊าซแอมโมเนีย
- ติดตั้งอุปกรณ์ชาร์จติดผนังพื้นฐานหรือแท่นชาร์จบนพื้นผิวที่เรียบ

- เพื่อให้แน่ใจว่ามีการยึดแน่น ให้ตรวจสอบสภาพของผนังก่อนติดตั้ง
- ติดตั้งอุปกรณ์ชาร์จติดผนังพื้นฐานหรือแท่นชาร์จให้อยู่ใกล้กับตำแหน่งที่จะจอดรถให้มากที่สุด โดยคำนึงถึงทิศทางของรถด้วย
- ติดตั้งอุปกรณ์ชาร์จติดผนังพื้นฐานหรือแท่นชาร์จโดยให้อยู่ห่างจากทางเดินและสายไฟไม่ขวางทางเดิน
- ติดตั้งอุปกรณ์ชาร์จติดผนังพื้นฐานหรือแท่นชาร์จโดยที่ระยะห่างระหว่างปลั๊กไฟและเต้ารับ ไฟฟ้าไม่ไกลเกินกว่าความยาวของสายไฟ

## เครื่องมือที่จำเป็น

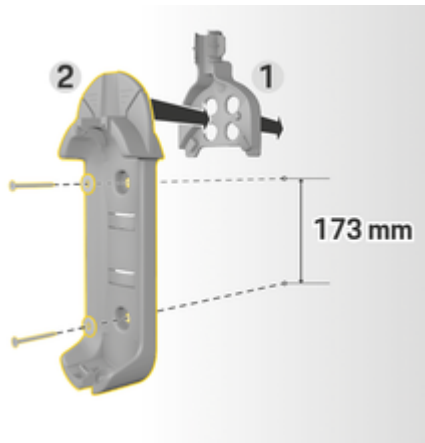
### เครื่องมือที่จำเป็น

- เครื่องวัดระดับ
- สว่านไฟฟ้าหรือสว่านเจาะกระแทก
- ไขควง

### ติดตั้ง

#### การติดตั้งอุปกรณ์ชาร์จติดผนัง

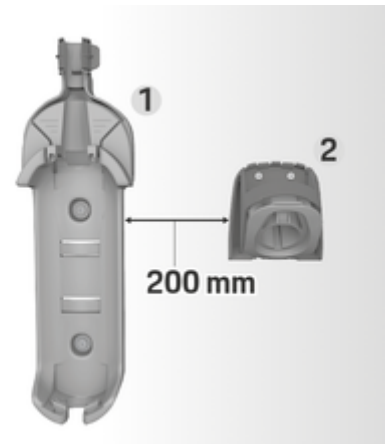
#### การติดตั้งอุปกรณ์ชาร์จติดผนังพื้นฐาน



รูป . 302: ระยะในการเจาะ

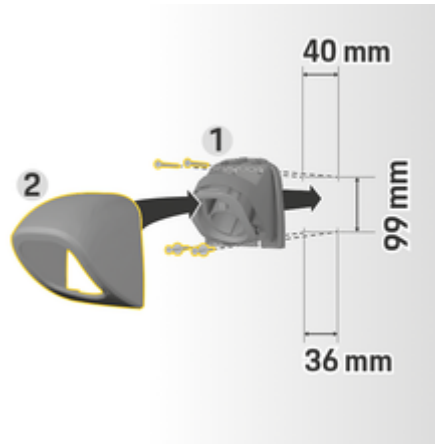
1. ทำเครื่องหมายรูเจาะบนผนัง
2. เจาะรูสำหรับยึดและเสียบปลั๊กติดผนัง
3. กดรูอุปกรณ์ชาร์จติดผนังพื้นฐาน 2 (รูป 302) ลงไปที่ตัวนำสายไฟ 1 (รูป 302) จากทางด้านหน้า
4. ยึดอุปกรณ์ชาร์จติดผนังพื้นฐานเข้ากับผนังด้วยสกรู

### การติดตั้งสายรัดข้อต่อ



รูป . 303: ระยะห่างระหว่างอุปกรณ์ชาร์จติดผนังและสายรัดข้อต่อ

ขณะติดตั้งสายรัดข้อต่อ แน่ใจว่าได้เว้นระยะห่างจากอุปกรณ์ชาร์จติดผนังพื้นฐาน 200 มม.



รูป . 304: ระยะเวลาในการเจาะ

1. ถอดสายรัดข้อต่อ 1 (รูป 304) ออกจากฝาครอบ 2 (รูป 304)
2. ทำเครื่องหมายรูเจาะบนผนัง
3. เจาะรูสำหรับยึดและเสียบปลั๊กติดผนัง
4. ยึดสายรัดข้อต่อ 1 (รูป 304) เข้ากับผนังด้วยสกรู
5. ใส่ฝาครอบ 2 (รูป 304) เข้ากับสายรัดข้อต่อ 1 (รูป 304) จากทางด้านล่างแล้วดันขึ้นด้านบน

### การต่อหน่วยควบคุมเข้ากับอุปกรณ์ชาร์จจติดผนัง

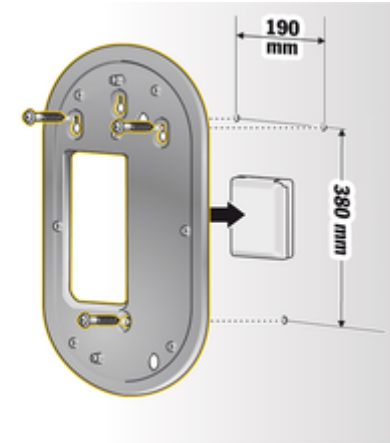


รูป . 305: การต่อหน่วยควบคุม

1. เดินสายของรถผ่านช่องด้านล่างของอุปกรณ์ชาร์จจติดผนังพื้นฐาน ให้ส่วนล่างของหน่วยควบคุมอยู่บนแท็บล็อกและดันเข้าเพื่อยึด
2. เดินสายไฟผ่านช่องด้านบนของอุปกรณ์ชาร์จจติดผนังพื้นฐาน และล็อกหุ้มโดยดันไปทางซ้าย
3. เสียบปลั๊กรถในสายรัดข้อต่อ

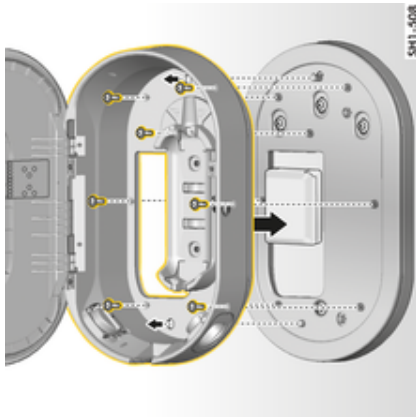
### การติดตั้งโดยไมใช้สเปเซอร์

905-105



รูป . 306: ระยะเวลาในการเจาะ

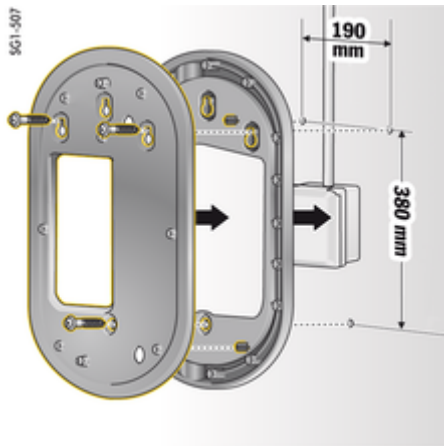
1. ทำเครื่องหมายรูเจาะบนผนัง
2. เจาะรูสำหรับยึดและเสียบปลั๊กติดผนัง
3. ยึดแผ่นประกอบด้วยสกรูเข้ากับผนัง



รูป . 307: การยึดแท่นชาร์จเข้ากับแผ่นประกอบด้วยสกรู

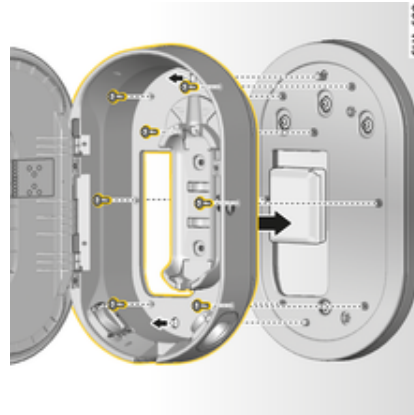
4. ยึดแท่นชาร์จเข้ากับแผ่นประกอบด้วยสกรู

### การติดตั้งโดยใช้สเปเซอร์



รูป . 308: ระยะในการเจาะ

1. ทำเครื่องหมายรูเจาะบนผนัง
2. เจาะรูสำหรับยึดและเสียบปลั๊กติดผนัง
3. ยึดแผ่นประกอบและสเปเซอร์ด้วยสกรูเข้ากับผนัง



รูป . 309: การยึดแท่นชาร์จเข้ากับแผ่นประกอบด้วยสกรู

4. ยึดแท่นชาร์จเข้ากับแผ่นประกอบด้วยสกรู

### การตั้งค่า

#### สายชาร์จรถและสายที่ให้มา

#### ข้อมูลเกี่ยวกับสายชาร์จรถและปลั๊ก

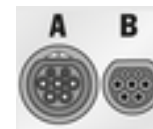
พอร์ตชาร์จรถ A และปลั๊ก B ที่ให้มาจะมีรูปร่างแตกต่างกันไปตามอุปกรณ์ของรถ



IEC 62196-2/  
SAE-J1772-2009  
ประเภท 1 UL/IEC



IEC 62196-2/  
SAE-J1772-2009  
ประเภท 1



IEC 62196-2  
ประเภท 2



GB/T 20234.2  
ประเภท GB

### การเลือกสายไฟ

สำหรับการชาร์จแบบปกติที่มีความเร็วการชาร์จอย่างเหมาะสม ให้ใช้สายไฟตามที่ระดับต่ำลงมา กำลังไฟในการชาร์จสูงสุดที่ทำได้คือ 22 kW (ขึ้นอยู่กับประเภทของอุปกรณ์ แหล่งจ่ายไฟ/การเชื่อมต่อระบบไฟฟ้าบ้าน และ-

อุปกรณ์ชาร์จเจอร์) ขณะขับรถไปต่างประเทศ ต้องนำสายไฟที่เหมาะสมไปด้วยเสมอเพื่อใช้ในประเทศที่คุณไป

### คำแนะนำ

ใช้เฉพาะสายไฟที่ผ่านการรับรองสำหรับใช้งานในประเทศของคุณ สายไฟต่อไปนี้ได้รับการรับรองสำหรับประเทศที่ระบุอยู่ในตารางด้านล่าง

ประเทศ	สายไฟ
รัสเซีย, ยูเครน	5, 6, 7, 8, C
อาบูดาบี, อิสราเอล, สิงคโปร์	5, 6, 7, 8

การอนุมัติสายไฟในประเทศต่างๆ (ตัวอย่าง) สายของรถอาจมีความยาว 2.5 หรือ 7.5 เมตร ขึ้นอยู่กับสถานการณ์ ในบางประเทศ ความยาวโดยรวมของสายไฟหน่วยควบคุม และสายของรถอาจถูกจำกัด เช่น 5 เมตรในสวีตเซอร์แลนด์ และ 7.5 เมตรในอิสราเอลและสหรัฐอเมริกา<sup>1)</sup>.

1. ณ เวลาที่พิมพ์ ขอทราบข้อมูลเพิ่มเติมได้จากตัวแทน Porsche ของคุณหรือองค์กรไฟฟ้าในพื้นที่ของคุณ

สายไฟสำหรับเตารับไฟฟ้าที่ใช้ในอุตสาหกรรม



1  
NEMA 14-30



2  
NEMA 14-50



3  
NEMA 6-30



4  
NEMA 6-50



5  
IEC 60309-2  
CEE 230 V/16 A  
6 h



6  
IEC 60309-2  
CEE 230 V/32 A  
6 h



7  
IEC 60309-2  
CEE 400 V/16 A  
6 h



8  
IEC 60309-2  
CEE 400 V/32 A  
6 h



9  
WCZ8 20 A

สายไฟสำหรับเตารับไฟฟ้าที่ใช้ภายในบ้าน

หากไม่มีเตารับไฟฟ้าที่ใช้ในอุตสาหกรรม คุณสามารถใช้สายไฟที่ระบุไว้ด้านล่างมาชาร์จได้แต่กำลังไฟในการชาร์จจะลดลง

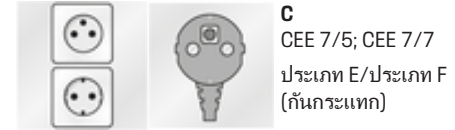
▶ ในบางประเทศ เช่น ในอาบูดาบี อิสราเอล สิงคโปร์ และอินเดีย<sup>1</sup> ห้ามชาร์จจากเตารับไฟฟ้าภายในบ้าน



A  
NEMA 5-15  
ประเภท B



B  
WCZ8 15 A



C  
CEE 7/5; CEE 7/7  
ประเภท E/ประเภท F  
(กันกระแทก)



D  
BS 1363  
ประเภท G



E  
AS 3112  
ประเภท I



F  
SEV 1011  
ประเภท J



G  
DS60884-2-D1  
ประเภท K

1. ณ เวลาที่พิมพ์ ขอบرابข้อมูลเพิ่มเติมได้จากตัวแทน Porsche ของคุณหรือองค์กรไฟฟ้าในพื้นที่ของคุณ





**H**  
CEI23-16-VII  
ประเภท L 16 A (5 มม.)



**I**  
IA6A3 (BS 546)  
ประเภท M

### NEMA 6-50/NEMA 14-50 (ข้อมูลเพิ่มเติม)

#### **i** ข้อมูล

ขอช่วย

คำแนะนำการใช้งานนี้ใช้กับภูมิภาคที่มีมาตรฐาน NEMA 6-50/NEMA 14-50 เท่านั้น

การชาร์จรถยนต์ของคุณสามารถสร้างกระแสไฟฟ้าได้สูงด้วยเหตุผลด้านความปลอดภัย จึงจำเป็นต้องมีการใช้ส่วนประกอบที่ได้ รับอนุมัติเฉพาะและติดตั้งอุปกรณ์ชาร์จทั้งหมดอย่างมืออาชีพ

### คำแนะนำเพื่อความปลอดภัยทั่วไป

#### **⚠** อันตราย

ไฟดูดและไฟไหม้

การใช้อุปกรณ์ชาร์จอย่างไม่ถูกต้องและการไม่ปฏิบัติตามคำแนะนำในการติดตั้งและความปลอดภัยอาจนำไปสู่ไฟฟ้าลัดวงจร ไฟดูด การระเบิด ไฟไหม้ หรือการลัดวงจรได้

- ▶ โปรดใส่ใจต่อคำแนะนำในการติดตั้งในคู่มืออุปกรณ์ชาร์จ
- ▶ โปรดใส่ใจเป็นพิเศษเกี่ยวกับประกาศด้านความปลอดภัยและคำเตือนทั้งหมด
- ▶ การติดตั้งดำเนินการโดยบุคคลที่มีการฝึกอบรมด้านไฟฟ้าที่จำเป็นและมีความรู้เฉพาะทาง
- ▶ ปฏิบัติตามระเบียบข้อบังคับต่างๆ ที่ใช้ในประเทศสำหรับการติดตั้งระบบไฟฟ้าด้วย

### ข้อกำหนดสำหรับเต้ารับไฟฟ้าหลัก

#### **⚠** อันตราย

เต้ารับไฟฟ้าหลักที่ไม่เหมาะสม

เต้ารับไฟฟ้าหลักที่ไม่เหมาะสมอาจทำให้เกิดไฟฟ้าลัดวงจร ไฟดูด การระเบิด ไฟไหม้ หรือการลัดวงจรได้

- ▶ ใช้เฉพาะเต้ารับไฟฟ้าหลักที่เหมาะสมกับการติดตั้งนี้เท่านั้น (ดูประเภทของเต้ารับไฟฟ้าหลัก/ปลั๊กไฟที่เหมาะสม)
- ▶ ใช้เต้ารับไฟฟ้าหลักที่ตรงตามข้อกำหนดด้านคุณภาพของหน้าสัมผัสและการยึดเท่านั้น (ดูข้อกำหนดสำหรับคุณภาพของเต้ารับไฟฟ้าหลัก)
- ▶ หลีกเลี่ยงการสัมผัสโดยตรงระหว่างสกรูหัวต่อกับสายไฟ ควรใช้ปลอกหุ้มปลายสายไฟ
- ▶ หลีกเลี่ยงการพันสายไฟบนฉนวน

### ประเภทของเต้ารับไฟฟ้าหลัก/ปลั๊กไฟที่เหมาะสม

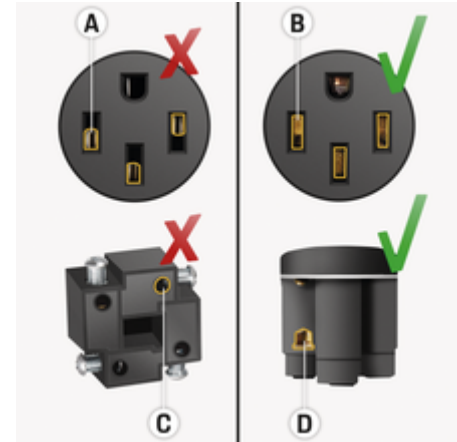


NEMA 6-50  
เต้ารับ/ปลั๊ก



NEMA 14-50  
เต้ารับ/ปลั๊ก

### ข้อกำหนดด้านคุณภาพของเต้ารับไฟฟ้าหลัก



- A** พื้นผิวหน้าสัมผัสมีความสูงเพียงครึ่งเดียวของหน้าสัมผัสปลั๊กอื่น
- B** พื้นผิวหน้าสัมผัสครอบคลุมความสูงทั้งหมดของหน้าสัมผัสปลั๊กอื่น
- C** พื้นผิวหน้าสัมผัสขนาดเล็กระหว่างสกรูหัวต่อและสายไฟ
- D** พื้นผิวหน้าสัมผัสกว้างระหว่างแผ่นหัวต่อและสายไฟ

## ข้อกำหนดสำหรับการติดตั้งสายไฟ

### ⚠️ อันตราย

สายไฟไม่เหมาะสม

การใช้สายไฟที่ไม่เหมาะสมหรือกระแสไฟฟ้าที่มากเกินไปอาจทำให้เกิดไฟฟ้าลัดวงจร ไฟดูด การระเบิด ไฟไหม้ หรือการลวกไหม้ได้

- ▶ สายไฟต้องมีฟิวส์ 50 แอมป์
- ▶ ใช้เฉพาะสายทองแดงที่มีหน้าตัดขั้นต่ำ 8 AWG หรือควรมีขนาด 6 AWG

## ข้อกำหนดสำหรับการติดตั้งภายนอกอาคาร

### ⚠️ อันตราย

สัมผัสโดยตรงกับฝน

หากใช้อุปกรณ์ชาร์จกลางแจ้ง การโดนฝนโดยตรงอาจทำให้เกิดไฟฟ้าลัดวงจร ไฟดูด การระเบิด ไฟไหม้ หรือการลวกไหม้ได้

- ▶ ป้องกันไม่ให้อุปกรณ์ชาร์จสัมผัสกับฝนโดยตรง
- ▶ ใช้กล่องหุ้มกันฝน NEMA 3R

## การเปลี่ยนสายไฟและสายขอรถ

### ⚠️ อันตราย

ไฟดูด

มีความเสี่ยงที่จะได้รับบาดเจ็บสาหัสหรือถึงแก่ชีวิตจากไฟฟ้าช็อต

- ▶ ก่อนที่จะเปลี่ยนสายไฟ ให้ปลดสายไฟออกจากตัวรับไฟฟ้า และปลดสายขอรถออกจากพอร์ตชาร์จจริง
  - ▶ เปลี่ยนสายในสภาพแวดล้อมที่แห้งเท่านั้น
  - ▶ ใช้เฉพาะสายที่ได้รับการรับรองจาก Porsche เท่านั้น
- ▶ โปรดดูบท "อุปกรณ์ที่นำมา" ที่หน้า 609

ในบางประเทศ เช่น ในนอร์เวย์ อิตาลี โปรตุเกส และสเปน<sup>1</sup> ต้องให้ช่างไฟฟ้าที่ผ่านการรับรองเป็นผู้เปลี่ยนสายไฟเท่านั้น Porsche ขอแนะนำให้คุณใช้บริการของ Porsche ที่ผ่านการรับรอง

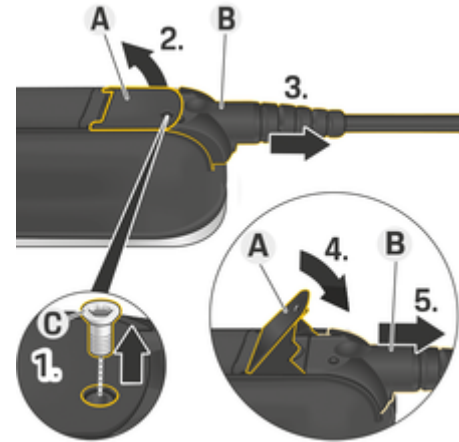


รูป. 310: การเชื่อมต่อกับหน่วยควบคุม

คุณสามารถถอดและเสียบสายไฟ A ที่ด้านบนสุดของหน่วยควบคุม

ถอดและเสียบสายขอรถ B ที่ด้านล่างสุดของหน่วยควบคุม

## การถอดสาย



รูป. 311: การถอดสาย

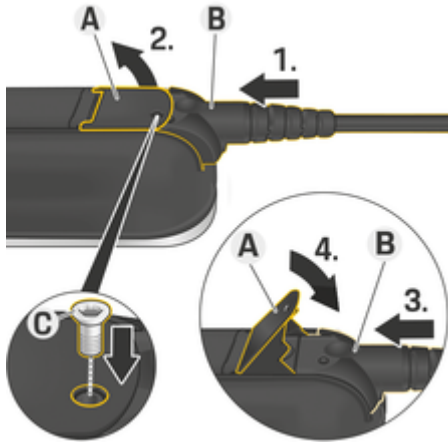
✓ การชาร์จแบตเตอรี่ไฟฟ้าแรงดันสูงเสร็จแล้ว และถอดปลั๊กออกจากพอร์ตชาร์จจริงแล้ว

✓ ถอดปลั๊กออกจากตัวรับไฟฟ้าแล้ว

1. ถอดสลัก C (รูป 311) โดยใช้เครื่องมือที่เหมาะสม
2. ยกฝา A (รูป 311)
3. ดึงปลั๊ก B (รูป 311) ออกจากแรงต้านแรก
4. ปิดฝา A (รูป 311)
5. ดึงปลั๊ก B (รูป 311) ออกจากสุด

1. ณ เวลาที่พิมพ์ ขอทราบข้อมูลเพิ่มเติมได้จากตัวแทน Porsche ของคุณหรือองค์กรไฟฟ้าในพื้นที่ของคุณ

## การยึดสายไฟ



รูป . 312: การต่อสายไฟและยึดปลั๊ก

✓ ฝา A (รูป 312) ปิดอยู่

1. เสียบปลั๊ก B (รูป 312) เข้ากับหน่วยควบคุมจนถึงแรงต้านแรก
2. ยกฝา A (รูป 312)
3. ดันปลั๊ก B (รูป 312) เข้าจนสุด
4. ปิดฝา A (รูป 312)
5. ยึดปลั๊ก B (รูป 312) เข้ากับหน่วยควบคุมโดยใช้สกรู C (รูป 312)

การใช้งานและการกำหนดค่าเบื้องต้น  
เริ่ม

กำหนดค่าการตั้งค่าต่อไปนี้ก่อน เริ่มใช้อุปกรณ์ชาร์จในครั้งแรก

## ❶ ข้อมูล

- คุณสามารถข้ามตัวเลือกที่มีสัญลักษณ์ **Skip** กำกับ จะไม่มีการตั้งค่าในกรณีนี้
- คุณสามารถเปลี่ยนการตั้งค่าได้เสมอบนหน้าจอ (⚙)

## ภาษาและประเทศ

1. เลือกภาษาที่ต้องการจากรายการ ยืนยันการเลือก
2. เลือกประเทศที่ต้องการจากรายการ
3. ยืนยันภาษาและประเทศที่เลือกไว้

## การส่งข้อมูล

- ▶ อ่านและยืนยันคำแนะนำสำหรับการส่งข้อมูล

## การอัปเดตซอฟต์แวร์

เพื่อรับประกันการทำงานอย่างเต็มรูปแบบและเชื่อถือได้ของอุปกรณ์ชาร์จ จะต้องติดตั้งซอฟต์แวร์ล่าสุดเสมอ

- ▶ เลือกและยืนยันการตั้งค่าสำหรับการอัปเดตซอฟต์แวร์อัตโนมัติ

**On** อุปกรณ์ชาร์จจะตรวจสอบว่ามีการอัปเดตซอฟต์แวร์หรือไม่ และดาวน์โหลดโดยอัตโนมัติ จากนั้นสามารถเริ่มการติดตั้งได้โดยตรงหรือเลือกเพื่อติดตั้งในภายหลัง

**Off** อุปกรณ์ชาร์จจะตรวจสอบว่ามีการอัปเดตซอฟต์แวร์หรือไม่ และแสดงข้อความที่เกี่ยวข้อง คุณสามารถเริ่มการดาวน์โหลดด้วยตัวเอง

เมื่อดาวน์โหลดเสร็จแล้ว สามารถเริ่มการติดตั้งได้โดยตรงหรือเลือกเพื่อติดตั้งในภายหลัง

หากไม่สามารถเชื่อมต่ออินเทอร์เน็ตกับอุปกรณ์ชาร์จได้ คุณสามารถดาวน์โหลดการอัปเดตซอฟต์แวร์ด้วยตัวเองผ่านที่อยู่เว็บในส่วน **E-Performance** ที่ <https://www.porsche.com> และติดตั้งผ่านเว็บแอปพลิเคชัน

## การเลือกเครือข่าย

เลือกตัวเลือกสำหรับเชื่อมต่อกับเครือข่ายภายในบ้าน คุณสามารถข้ามตัวเลือกนี้โดยใช้ **Skip** ในกรณีนี้ จะไม่มีการเชื่อมต่อกับเครือข่ายภายในบ้าน หากอุปกรณ์ชาร์จเชื่อมต่อกับเครือข่ายภายในบ้านที่มีอยู่ จะมีฟังก์ชันขั้นสูงและข้อมูลให้ใช้งาน การเชื่อมต่อสามารถทำได้ผ่าน WiFi หรือเครือข่าย Powerline Communication (เครือข่าย PLC) หากไม่มีเครือข่ายในบ้าน คุณสามารถตั้งค่าฮอตสปอตบนอุปกรณ์ชาร์จได้

## ❶ ข้อมูล


อุปกรณ์ไม่รองรับเครือข่าย WiFi สาธารณะที่ไม่มีการป้องกันด้วยรหัสผ่านและไม่สามารถใช้ได้

## การเชื่อมต่อผ่าน WiFi

1. เลือก WiFi
2. เลือกเครือข่ายภายในบ้านจากรายการเครือข่าย WiFi ตรวจสอบ
3. ป้อนและยืนยันรหัสผ่านของคุณ

## การเชื่อมต่อผ่านปุ่มจับคู่ PLC


1. เลือก PLC linking button
  2. เริ่มกระบวนการเชื่อมต่อบนโมเด็ม PLC ยืนยันด้วยการกดปุ่ม **OK** บนแท่นชาร์จ
- เมื่อเชื่อมต่อการตั้งค่าแล้ว ให้ยืนยันด้วย **Connect**
- ➔ การเชื่อมต่อกับเครือข่าย PLC ทำงาน

หากมีการเชื่อมต่อกับเครือข่าย PLC สัญลักษณ์  จะแสดงขึ้นในแถบสถานะ

### การเชื่อมต่อผ่าน PLC security code

ต้องใช้อุปกรณ์ที่มีซอฟต์แวร์ควบคุมสำหรับเครือข่าย PLC สำหรับวิธีนี้

1. หากต้องการเชื่อมต่อกับเครือข่าย PLC โดยใช้รหัสรักษาความปลอดภัย ให้เลือก **PLC security code**
  - ➔ รหัสรักษาความปลอดภัยจะปรากฏบนจอแสดงผล
2. ป้อนรหัสรักษาความปลอดภัยในเมนูที่เกี่ยวข้องของซอฟต์แวร์ควบคุมสำหรับเครือข่าย PLC เพื่อผสมผสานรวมอุปกรณ์ชาร์จลงในเครือข่าย PLC
  - ➔ การเชื่อมต่อกับเครือข่าย PLC ทำงาน

หากมีการเชื่อมต่อกับเครือข่าย PLC สัญลักษณ์  จะแสดงขึ้นในแถบสถานะ

#### ข้อมูล

คุณลักษณะ PLC:

- แยกอินเทอร์เฟซเป็นและโครงสร้างพื้นฐาน
- PLC ถึง IEEE P1901
- ปลั๊กบ้าน AV
- การเข้ารหัส: 128-bit AES
- ย่านความถี่: 2-30 MHz

### โปรไฟล์ผู้ใช้ (การจับคู่ Porsche ID)

เมื่อจับคู่อุปกรณ์ชาร์จกับ Porsche ID ของคุณ ข้อมูลเกี่ยวกับอุปกรณ์ชาร์จและกระบวนการชาร์จอาจแสดงขึ้นใน My Porsche และในแอป Porsche Connect

### หากจับคู่อุปกรณ์ชาร์จด้วย Porsche ID ของคุณ:

- ▶ เปิดเว็บไซต์ที่แสดงอยู่บนหน้าจอของอุปกรณ์ชาร์จในเบราว์เซอร์ของอุปกรณ์ แล้วป้อนรหัสผู้ใช้
  - หรือ -
  - สแกนรหัส QR ที่แสดงอยู่บนอุปกรณ์ชาร์จ คุณสามารถสแกนรหัส QR ด้วยวิธีต่อไปนี้:
    - การใช้แอป Porsche Connect (**My Account > Charging cables & devices > Scan QR code**)
    - การใช้กล้องในอุปกรณ์ของคุณ (iOS11 สูงกว่า ส่วน Android จะต่างออกไป)
    - การใช้แอปสำหรับสแกนรหัส QR


หากจับคู่อุปกรณ์ชาร์จสำเร็จ Installation assistant จะพาไปยังขั้นตอนถัดไป

### การเชื่อมต่อกับ Energy manager

หากมี Energy manager คุณสามารถเชื่อมต่อกับ Energy manager ได้ Energy manager จะเข้าควบคุมกระบวนการชาร์จ

- ▶ สำหรับคำแนะนำในการเชื่อมต่อ โปรดดูคู่มือการใช้งานของ Energy manager


หากไม่มี Energy manager รถจะถูกชาร์จตามกระแสไฟฟ้าในการชาร์จที่เข้าสู่อุปกรณ์ชาร์จ:

- ▶ **Settings**  ▶ **Adapt charging current**
- ▶ โปรดดูบท "การปรับกระแสไฟฟ้าในการชาร์จ" ที่หน้า 622

### ขอตลปอด

หากไม่สามารถผสมผสานรวมกับเครือข่ายภายในบ้านได้ อุปกรณ์ชาร์จสามารถเปิดใช้งานขอตลปอดและใช้เชื่อมต่อกับเว็บแอปพลิเคชันของอุปกรณ์ชาร์จ

- ▶ หากต้องการเชื่อมต่อขอตลปอด ให้คลิก **Activate hotspot**

เมื่อเชื่อมต่อขอตลปอดได้แล้ว สัญลักษณ์  จะปรากฏขึ้นในแถบสถานะ

#### ข้อมูล

หากคุณใช้ระบบ Android คุณอาจต้องยืนยันแยกต่างหากว่ามีการเชื่อมต่อแล้ว เพื่อให้สามารถเชื่อมต่อขอตลปอดได้

### การปรับกระแสไฟฟ้าในการชาร์จ

หากไม่มี Energy manager ในเครือข่ายภายในบ้าน คุณสามารถตั้งค่ากระแสไฟฟ้าในการชาร์จสูงสุดที่อนุญาตสำหรับอุปกรณ์ชาร์จได้จากที่นี่

ค่าสูงสุดที่แสดงจะถูกกำหนดตามประเภทของสายที่เชื่อมต่อ

- ▶ ตั้งค่ากระแสไฟฟ้าในการชาร์จเป็นค่าสูงสุดที่ใช้ในแหล่งจ่ายไฟสำหรับอุปกรณ์ชาร์จ ใช้ปุ่ม **Plus** และ **Minus** เพื่อตั้งค่ากระแสการชาร์จ

▶ โปรดดูบท "การจำกัดกระแสไฟฟ้าในการชาร์จ" ที่หน้า 626

### การป้องกันอุปกรณ์

เพื่อป้องกันไม่ให้รถที่ไม่ได้รับอนุญาตเชื่อมต่อกับอุปกรณ์ชาร์จของคุณ คุณสามารถตั้งค่าการเตือนให้ป้อน PIN ได้

1. หากต้องการเปิดใช้งานการเตือนให้ป้อน PIN ให้เลือก **On**
2. ป้อนรหัส PIN 4 หลักและยืนยัน
3. ป้อนรหัส PIN อีกครั้งและยืนยัน
  - ➔ ยืนยันการเปิดใช้งานการเตือนให้ป้อน PIN

### ทำการติดตั้งให้สมบูรณ์

- ▶ ใช้ **Review** ตรวจสอบการตั้งค่าที่เลือกและติดตั้งให้เสร็จสมบูรณ์

## การเปิดด้วยเว็บแอปพลิเคชัน:

ก่อนที่จะนำอุปกรณ์ชาร์จและ Web Application มาใช้ใน ชีวิตประจำวัน ต้องตั้งค่าอุปกรณ์ชาร์จขึ้นต้นก่อน จากนั้น ต้องเชื่อมต่ออุปกรณ์ของคุณ (พีซี แท็บเล็ต หรือสมาร์ตโฟน) เข้ากับอุปกรณ์ชาร์จ

## ข้อกำหนดสำหรับการเริ่มต้นการใช้งานในเว็บแอปพลิเคชัน

เตรียมข้อมูลต่อไปนี้ให้พร้อมเมื่อใช้งาน Web Application ในครั้งแรก:

- เอกสารข้อมูลการเข้าใช้งานของ Porsche Mobile Charger Connect สำหรับเข้าสู่ Web Application ของอุปกรณ์ชาร์จ
- ข้อมูลการเข้าใช้งานสำหรับเครือข่ายในบ้านของคุณ
- ข้อมูลการเข้าใช้งานสำหรับโปรไฟล์ผู้ใช้ของคุณ (เพื่อเชื่อมโยงกับ Porsche ID ของคุณ)

เว็บแอปพลิเคชันรองรับเบราว์เซอร์ต่อไปนี้:

- Google Chrome เวอร์ชัน 57 ขึ้นไป (แนะนำ)
- Mozilla Firefox เวอร์ชัน 52 ขึ้นไป (แนะนำ)
- Microsoft Internet Explorer เวอร์ชัน 11 ขึ้นไป
- Microsoft Edge
- Apple Safari เวอร์ชัน 10 ขึ้นไป

## การล็อกอินเข้าอุปกรณ์ชาร์จ

### ข้อมูล

คุณสามารถดูข้อมูลสำหรับล็อกอินเข้าอุปกรณ์ชาร์จในเอกสารที่นำมาซึ่งจะมีข้อมูลการเข้าใช้งาน ช่องความปลอดภัยจะมีรหัสเข้าใช้งาน (PIN และ PUK) ช่องนี้จะมีหมึกพิเศษที่ปิดรหัสเหล่านี้ไว้

เราสามารถมองเห็นรหัสนี้ได้ก็ต่อเมื่อทำให้ช่องนี้เป็ยกขึ้น-ผ่นน้ำที่ไหลอยู่

ห้ามถูหรือขีดข่วนนี้ขณะที่ทำให้เป็ยก เพราะอาจทำให้รหัสเกิดความเสียหายได้

- ✓ เปิดอุปกรณ์ชาร์จ
- ✓ มีเอกสารข้อมูลการเข้าใช้งาน

1. หารหัส PIN จากเอกสาร ในการทำเช่นนั้น ให้ใช้น้ำปาดของความปลอดภัยไว้เล็กน้อยเพื่อให้รหัส PIN แสดงขึ้น
2. ป้อนรหัส PIN

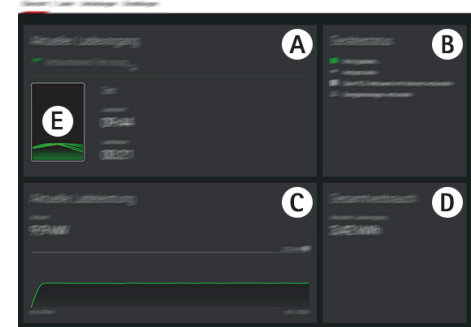
## การเริ่มตั้งค่าบนอุปกรณ์ชาร์จ

ตัวช่วยการตั้งค่าจะช่วยให้คุณในการตั้งค่าอุปกรณ์ชาร์จ ซึ่งจะแนะนำขั้นตอนที่ใช้ในการติดตั้ง ต้องตั้งค่าอุปกรณ์ชาร์จให้เสร็จก่อนจึงจะสามารถใช้งาน ได้อย่างเหมาะสม

▶ โปรดดูคู่มือการใช้งาน Porsche Mobile Charger Connect สำหรับรายละเอียดเกี่ยวกับการตั้งค่าอุปกรณ์ชาร์จ

## ภาพรวม

เว็บแอปพลิเคชันมีตัวเลือกการตั้งค่าที่ครอบคลุมกว่าอุปกรณ์ชาร์จ



รูป . 313: แดชบอร์ดของเว็บแอปพลิเคชัน

### A Current charging process

แสดงข้อมูลเกี่ยวกับกระบวนการชาร์จในปัจจุบัน เช่น เวลาเริ่มต้นและระยะเวลาของการชาร์จ

### B Device status

แสดงข้อมูลเกี่ยวกับอุปกรณ์ เช่น:

- สถานะการชาร์จปัจจุบัน
- การเชื่อมต่อเครือข่ายที่ใช้งาน
- สถานะการเชื่อมต่อกับ Energy manager (หากมี)
- มีการอัปเดตซอฟต์แวร์หรือไม่
- การปิดใช้งานการตรวจสอบสายดิน

### C Current charging performance

การไหลของกระแสไฟฟ้า [เป็นกิโลวัตต์] จากอุปกรณ์ชาร์จ ไปที่โหลด  
คุณลักษณะ เส้นโค้งแสดงความคืบหน้าของกำลังไฟในการชาร์จ ตั้งแต่ช่วงเริ่มต้นของการชาร์จและการใช้พลังงานทั้งหมด [เป็นกิโลวัตต์]  
เลือกเวลาในเส้นโค้งเพื่อดูจุดชาร์จของช่วงเวลานี้

### D Consumption

การใช้พลังงานทั้งหมดของกระบวนการชาร์จในปัจจุบัน [เป็นชั่วโมงกิโลวัตต์]

## E Charge status

สีที่ใช้ในแดชบอร์ดแสดงสถานะในการชาร์จของอุปกรณ์:

- สีแดง: ข้อความแสดงข้อผิดพลาด
- สีน้ำเงิน: การชาร์จหยุดชั่วคราว
- สีเขียว: รถกำลังชาร์จ
- สีขาว: ไม่มีรถเชื่อมต่อกับอุปกรณ์ชาร์จ

## การใช้งาน คำแนะนำในการใช้งาน

ในบางประเทศ จะต้องแจ้งเจ้าหน้าที่ที่เกี่ยวข้องเมื่อคุณเชื่อมต่ออุปกรณ์ชาร์จสำหรับรถยนต์ไฟฟ้า

- ▶ ตรวจสอบข้อบังคับเพื่อแจ้งเจ้าหน้าที่และข้อกำหนดทางกฎหมายสำหรับการใช้งานก่อนเชื่อมต่ออุปกรณ์ชาร์จ

### คำแนะนำ

ความเสียหายที่เกิดกับอุปกรณ์ชาร์จ

- ▶ ต้องวางอุปกรณ์ชาร์จไว้บนพื้นผิวที่แข็งแรงเสมอ-ขลและชาร์จ
- ▶ Porsche ขอแนะนำให้ใช้อุปกรณ์ชาร์จกับอุปกรณ์ชาร์จติดตั้งพื้นฐานหรือแท่นชาร์จ ในบางประเทศ เช่น ในสวีตเซอร์แลนด์<sup>1</sup> อุปกรณ์ชาร์จจะใช้งานได้ก็ต่อเมื่ออยู่ในอุปกรณ์ชาร์จติดตั้งพื้นฐานหรือในแท่นชาร์จเท่านั้น
- ▶ ห้ามให้อุปกรณ์ชาร์จจุ่มลงในน้ำ
- ▶ ป้องกันอุปกรณ์ชาร์จไม่ให้โดนหิมะและน้ำแข็ง
- ▶ ใช้งานอุปกรณ์ชาร์จอย่างระมัดระวัง และป้องกันไม่ให้เกิดความเสียหายจากรถเหยียบทับ ทำตก ดึง งอ หรือกระแทก
- ▶ ห้ามเปิดกล่องหุ้มอุปกรณ์ชาร์จ

### คำแนะนำ

ความเสียหายที่เกิดกับอุปกรณ์ชาร์จ

ต้องใช้งานอุปกรณ์ชาร์จเมื่ออยู่ในช่วงอุณหภูมิตั้งแต่ -30 °C ถึง +50 °C เท่านั้น

- ▶ เพื่อป้องกันไม่ให้เกิดความร้อนสูงขณะใช้งาน หลีกเลี่ยงไม่ให้อุปกรณ์ชาร์จถูกแสงแดดส่องตรงเป็นเวลานาน หากอุปกรณ์ชาร์จมีความร้อนสูง การชาร์จจะถูกขัดจังหวะโดยอัตโนมัติจนกว่าอุณหภูมิจะเย็นลงถึงช่วงปกติ
- ▶ หากอุปกรณ์ชาร์จร้อนหรือเย็นเกินไป ปล่อยให้-อุณหภูมิกลับลงมายังช่วงอุณหภูมิใช้งานอย่างช้าๆ และอย่าพยายามทำให้อุปกรณ์ชาร์จเย็นลงหรือร้อนขึ้น เช่น ใช้น้ำเย็นเพื่อให้เย็นลง หรือใช้เครื่องเป่าลมเพื่อให้อุ่นขึ้น

1. วันที่พิมพ์: ขอทราบข้อมูลเพิ่มเติมได้จากตัวแทน Porsche ของคุณ

## การชาร์จ

### คำแนะนำการชาร์จ

#### พอร์ตชาร์จรถ

สำหรับข้อมูลเกี่ยวกับการเชื่อมต่อและการถอดสายของรถ-เข้ากับและออกจากพอร์ตชาร์จรถ และสถานการณ์การชาร์จ-และการเชื่อมต่อที่พอร์ตชาร์จรถ:

▶ โปรดอ้างอิงจากคู่มือผู้ขับขี่



**อันตราย**

ไฟดูด, ไฟไหม้

มีความเสี่ยงที่จะได้รับบาดเจ็บสาหัสหรือถึงแก่ชีวิตจากไฟไหม้หรือไฟดูด

- ▶ ปฏิบัติตามลำดับขั้นตอนที่กำหนดเสมอขณะชาร์จ
- ▶ ห้าม ถอดสายของรถออกจากพอร์ตชาร์จรถในระหว่างการชาร์จ
- ▶ ทำตามขั้นตอนการชาร์จให้เสร็จสิ้นก่อนถอดสายของรถออกจากพอร์ตชาร์จรถ
- ▶ ห้ามถอดอุปกรณ์ชาร์จออกจากเต้ารับไฟฟ้าในระหว่างการชาร์จ

ข้อผิดพลาดจะแสดงบนหน้าจอและระบบเป็น LED แสดงสถานะสีแดง ข้อความแสดงข้อผิดพลาด สาเหตุและวิธีการแก้ไขจะแสดงขึ้น

▶ โปรดดูบท "ความผิดปกติ" ที่หน้า 635

### ระยะเวลาในการชาร์จ

ระยะเวลาการชาร์จอาจแตกต่างกันไปขึ้นอยู่กับปัจจัยต่อไปนี้:

- เต้ารับไฟฟ้าที่ใช้ (เต้ารับไฟฟ้าที่ใช้ในบ้านหรือที่ใช้ในอุตสาหกรรม)
- แรงดันไฟฟ้าหลักและกระแสไฟฟ้าของแต่ละประเทศ
- การตั้งค่าการจำกัดกระแสไฟฟ้าในการชาร์จบนอุปกรณ์ชาร์จ
- ความผันผวนในแรงดันไฟฟ้าหลัก

- อุณหภูมิโดยรอบของตัวรถและอุปกรณ์ชาร์จ ระยะเวลาในการชาร์จอาจนานขึ้นหากอุณหภูมิอยู่ที่ค่าจำกัดของอุณหภูมิแวดล้อมที่กำหนด
- ▶ โปรดดูบท "การเปิดและปิดใช้งานการตรวจสอบสายดิน" ที่หน้า 626
- อุณหภูมิของแบตเตอรี่ไฟฟ้าแรงดันสูงและหน่วยควบคุม
- การเปิดระบบทำความเย็น/ความร้อนห้องโดยสารล่วงหน้า
- ความสามารถในการรับกระแสไฟฟ้าของปลั๊กไฟและปลั๊กรถยนต์



#### ข้อมูล

เนื่องจากระบบการจ่ายไฟหลักของแต่ละประเทศนั้นแตกต่างกัน เรามีหลายรูปแบบต่างๆ ให้ใช้งาน ดังนั้น อาจส่งผลให้ไม่สามารถทำการชาร์จได้เต็มกำลัง ขอทราบข้อมูลเพิ่มเติมได้จากตัวแทน Porsche ของคุณ

### การเริ่ม หยุดชั่วคราว และสิ้นสุดการชาร์จ การเริ่มชาร์จ

1. เสียบปลั๊กเข้ากับเต้ารับไฟฟ้า
  - ☉ ปุ่มเพาเวอร์สว่างขึ้นเป็นสีเขียว
  - LED แสดงสถานะสว่างขึ้นเป็นสีเขียว
  - ➔ จอแสดงผลเปิดขึ้น
2. เสียบปลั๊กเข้ากับพอร์ตชาร์จรถ
  - ☉ ปุ่มเพาเวอร์สว่างขึ้นเป็นสีเขียว
  - LED แสดงสถานะกะพริบช้าเป็นสีเขียว

สำหรับข้อมูลเกี่ยวกับการเชื่อมต่อสายของรถเข้ากับพอร์ตชาร์จรถ:

▶ โปรดอ้างอิงจากคู่มือผู้ขับขี่

- ➔ หลังจากการทดสอบในตัวเสร็จแล้ว และเมื่อทำการเชื่อมต่อแล้ว LED แสดงสถานะจะสว่างขึ้นเป็นสีเขียว

3. การชาร์จจะเริ่มโดยอัตโนมัติ
  - ☉ ปุ่มเพาเวอร์สว่างขึ้นเป็นสีเขียว
  - LED แสดงสถานะกะพริบช้าเป็นสีเขียว
4. หลังจากผ่านไปชั่วคราว อุปกรณ์ชาร์จจะสลับเป็นโหมดสแตนด์บาย
  - ➔ รถจะเริ่มชาร์จ



#### ข้อมูล

- การชาร์จจะถูกควบคุมจากรถ สามารถหยุดการชาร์จจากในรถยนต์เท่านั้น
- สถานะการชาร์จจะแสดงขึ้นบนหน้าจอเว้นแต่อุปกรณ์ชาร์จอยู่ในโหมดสแตนด์บาย คุณสามารถเปิดจอแสดงผลอีกครั้งโดยการกดปุ่มเพาเวอร์ ☉
- ฟังก์ชันปิดเมื่ออุณหภูมิสูงเกินไปจะป้องกันการเกิดความร้อนสูงขณะชาร์จ

### การหยุดชาร์จชั่วคราว

การชาร์จจะได้รับการควบคุมจากรถ และอาจหยุดชั่วคราวได้เป็นบางครั้ง เช่น เพื่อการใช้พลังงานได้อย่างเหมาะสม

การหยุดชาร์จชั่วคราวจะแสดงขึ้นบนหน่วยควบคุม:

- ☉ ปุ่มเพาเวอร์สว่างขึ้นเป็นสีเขียว
- LED แสดงสถานะจะกะพริบเป็นสีน้ำเงิน
- จอแสดงผลเปิดขึ้น

รถจะเริ่มชาร์จอีกครั้งโดยอัตโนมัติ สามารถหยุดการชาร์จจากในรถยนต์

### การหยุดชาร์จ

- ✓ การชาร์จเสร็จสมบูรณ์
  - ☉ ปุ่มเพาเวอร์สว่างขึ้นเป็นสีเขียว
  - LED แสดงสถานะสว่างขึ้นเป็นสีเขียว
- หน้าจอจะเปิดขึ้นและแสดงข้อมูลเกี่ยวกับกระบวนการชาร์จที่เสร็จสมบูรณ์ หลังจากผ่านไปชั่วคราว อุปกรณ์ชาร์จจะสลับเป็นโหมดสแตนด์บาย

- ▶ ปลดปลั๊กการออกจากพอร์ตชาร์จรถ

## การจำกัดกระแสไฟฟ้าในการชาร์จ

หน่วยควบคุมจะตรวจพบแรงดันไฟฟ้าและกระแสไฟฟ้าที่มีอยู่โดยอัตโนมัติ คุณสามารถตั้งค่าการใช้กำลังชาร์จโดยใช้การจำกัดกระแสไฟฟ้าในการชาร์จ กระแสไฟฟ้าสำหรับชาร์จที่ตั้งไว้ล่าสุดจะถูกบันทึกค่าเพื่อป้องกันไม่ให้เกิดติดตั้งระบบไฟฟ้ามีความร้อนสูงเกินไป กระแสไฟฟ้าในการชาร์จจะถูกจำกัดโดยอัตโนมัติที่ 50% ขณะสวมเมือใช้เต้ารับไฟฟ้าในบ้าน

หากเชื่อมต่ออุปกรณ์ชาร์จกับ Energy manager กระแสไฟฟ้าในการชาร์จจะถูกจำกัดตามค่าที่ตั้งไว้ใน Energy manager กระแสไฟฟ้าในการชาร์จจะลดลงตามอุปกรณ์ไฟฟ้าอื่นที่อยู่ในเครือข่ายภายในบ้านเดียวกัน เช่น จากฮีตเตอร์ไฟฟ้าหรือเครื่องทำน้ำอุ่น กำลังในการชาร์จจะต้องไม่สูงกว่าค่าพลังงานสูงสุดของวงจรไฟฟ้าที่ใช้ หากคุณไม่แน่ใจเกี่ยวกับสิ่งนี้ โปรดติดต่อช่างไฟที่ผ่านการรับรอง

## เสียบปลั๊ก

ด้วย Plug & Charge รถจะได้รับการชาร์จโดยใช้โครงสร้างพื้นฐานการชาร์จที่เหมาะสมในพื้นที่ส่วนตัวและสาธารณะ โดยไม่ต้องเริ่มกระบวนการชาร์จในสถานี E-charging หรือเครื่องชาร์จด้วยตัวเอง ขั้นตอนการชาร์จจะถูกเรียกเก็บเงินโดยอัตโนมัติตามสัญญาที่ทำกับผู้ให้บริการการชาร์จ

- ✓ เปิดใช้งานฟังก์ชันการชาร์จอัจฉริยะในรถยนต์แล้ว
- ✓ โครงสร้างพื้นฐานการชาร์จเหมาะสำหรับ Plug & Charge.
- ✓ สัญญาที่ทำร่วมกับผู้ให้บริการการชาร์จ ได้แก่ Plug & Charge.

## Private Plug & Charge

หากเปิดใช้งานการป้องกันอุปกรณ์ Mobile Charger Connect แล้ว กระบวนการชาร์จสามารถเริ่มต้นได้ เพียงป้อน PIN เท่านั้น ▶ โปรดดูบท “การป้องกันอุปกรณ์” ที่หน้า 622 จะทำหน้าที่ป้องกันการเข้าถึงโดยไม่ได้รับอนุญาต

## รายชื่อรถ (ลงทะเบียนรถ)

หลังจากป้อน PIN แล้ว ระบบจะถามคุณว่า ต้องการให้บันทึกรถในรายชื่อรถของ Mobile Charger Connect หรือไม่ หากอนุญาต ระบบจะจดจำรถผ่านการจับคู่รถยนต์กับ Mobile Charger Connect ในครั้งแรกซึ่งทำให้สามารถตรวจพบรถยนต์ได้ทันทีเมื่อเสียบสายชาร์จ และเริ่มกระบวนการชาร์จ ดังนั้น จึงไม่จำเป็นต้องป้อน PIN อีกสำหรับกระบวนการชาร์จในครั้งต่อไปของรถคันนี้

## เรียกดูรายชื่อรถ

อาจมีรถหลายคันได้รับการจดทะเบียนที่ Mobile Charger Connect รถแต่ละคันเรียงลำดับแยกกันในรายชื่อรถ

- ▶ **Settings** เลือก **รายชื่อรถ**

สามารถลบรถยนต์ออกจากรายชื่อนี้ได้

## การเปิดและปิดใช้งานการตรวจสอบสายดิน

**⚠️ อันตราย**

 ไฟดูด ไฟฟ้าลัดวงจร ไฟไหม้ ระเบิด

ใช้อุปกรณ์ชาร์จโดยที่ไม่มีการตรวจสอบสายดินอาจทำให้เกิดไฟดูด ไฟฟ้าลัดวงจร ไฟไหม้ การระเบิด หรือการถูกไหม้ได้

- ▶ ควรใช้งานอุปกรณ์ชาร์จในระบบจ่ายไฟหลักที่ต่อสายดิน
- ▶ ยกเลิกการตรวจสอบสายดินในระบบจ่ายไฟหลักที่ไม่ได้ต่อสายดินเท่านั้น
- ▶ เปิดใช้งานการตรวจสอบสายดินในระบบจ่ายไฟหลักที่ต่อสายดินเท่านั้น

▶ โปรดดูบท “การเปิดใช้งานการตรวจสอบสายดิน” ที่หน้า 627

## การปิดใช้งานการตรวจสอบสายดิน

- ✓ ข้อความแสดงข้อผิดพลาดที่ระบบเกี่ยวกับสายดินถูกขัดขวางหรือหายไปแสดงขึ้นบนหน้าจอ
  - ✓ การตรวจสอบสายดินขัดขวางกระบวนการชาร์จหรือป้องกันไม่ให้เริ่มทำงาน
    - ⊙ ปุ่มเพาเวอร์สว่างขึ้นเป็นสีแดง
    - LED แสดงสถานะสว่างขึ้นเป็นสีแดง
- ข้อความแสดงข้อผิดพลาดปรากฏขึ้นบนจอแสดงผล
1. เพื่อปิดใช้งานการตรวจสอบสายดิน กรุณารับทราบข้อความแสดงข้อผิดพลาดด้วย **Confirm**
  2. กดปุ่มเพาเวอร์ ค้างไว้ 3 วินาที
  3. รับทราบการปิดใช้งานการตรวจสอบสายดินด้วย **Confirm**
    - ➡ การตรวจสอบยังคงปิดการใช้งานสำหรับกระบวนการชาร์จถัดมา



## การเปิดใช้งานการตรวจสอบสายดิน

หากใช้งานอุปกรณ์ชาร์จในระบบจ่ายไฟหลักที่ต่อสายดิน ให้เปิดใช้งานการตรวจสอบสายดิน

1. เปิดเมนู **Ground monitoring (Settings) ▶ Ground monitoring)**
2. เปิดการตรวจสอบสายดินด้วย **Activate**

ขณะเปิดใช้งานการตรวจสอบสายดิน รายการเมนู **Ground monitoring** จะไม่ปรากฏภายในเมนู **Settings**

## การล็อกอินเข้าเว็บแอปพลิเคชัน

สำหรับการใช้เว็บแอปพลิเคชันเป็นมาตรฐาน ให้เลือกประเภทผู้ใช้เป็น Home user ผู้ใช้ Customer service มีตัวเลือกการตั้งค่าเพิ่มเติม และมีไว้เพื่อให้ตัวแทน Porsche ทำการซ่อมบำรุงเท่านั้น

✓ มีข้อมูลการเข้าใช้งาน

1. เลือกผู้ใช้ที่เหมาะสมในช่อง **User**
2. ป้อนรหัสผ่าน (จากเอกสารข้อมูลการเข้าใช้งาน)

### ❗ ข้อมูล

หลังจาก 25 นาทีที่ไม่มีการใช้งานใดๆ ผู้ใช้จะถูกให้ออกจากเว็บแอปพลิเคชันโดยอัตโนมัติ

## การเปิดเว็บแอปพลิเคชัน

ตัวเลือกการกำหนดค่าเพิ่มเติมและข้อมูลรายละเอียดเกี่ยวกับกระบวนการชาร์จที่มีอยู่ สามารถดูได้โดยใช้เว็บแอปพลิเคชันที่ออกแบบมาสำหรับอุปกรณ์ชาร์จแต่ละเครื่องโดยเฉพาะ

### ❗ ข้อมูล

- เว็บแอปพลิเคชันอาจไม่เปิดทันที ทั้งนี้ขึ้นอยู่กับเบราว์เซอร์ที่คุณใช้ แต่อาจแสดงการแจ้งเตือนเกี่ยวกับการตั้งค่าความปลอดภัยของเบราว์เซอร์ก่อน
- คุณอาจต้องป้อนรหัสเครือข่ายเมื่อเปิดเว็บแอปพลิเคชัน ทั้งนี้ขึ้นอยู่กับระบบปฏิบัติการของอุปกรณ์

## การเปิดเว็บแอปพลิเคชันผ่านทางฮอตสปอต

เว็บแอปพลิเคชันสามารถเปิดโดยใช้อุปกรณ์ (พีซี แท็บเล็ต หรือสมาร์ตโฟน) ผ่านฮอตสปอตที่ตั้งค่าบนอุปกรณ์ชาร์จ การตั้งค่าฮอตสปอต:

- ▶ โปรดดูที่ "ฮอตสปอต" ที่หน้า 622
- ▶ การเปิดเว็บแอปพลิเคชันขณะฮอตสปอตทำงาน ให้ป้อนที่อยู่ IP ต่อไปนี้ในช่องที่อยู่ของเบราว์เซอร์: 192.168.0.1

## การเปิดเว็บแอปพลิเคชันผ่านทาง WiFi

เว็บแอปพลิเคชันสามารถเปิดในเบราว์เซอร์บนอุปกรณ์ (พีซี แท็บเล็ต หรือสมาร์ตโฟน) ซึ่งจะล็อกอินเข้าในเครือข่ายภายในบ้านเดียวกันกับอุปกรณ์ชาร์จ

- ป้อนที่อยู่ IP ปัจจุบันของอุปกรณ์ชาร์จลงในช่องที่อยู่ของเบราว์เซอร์ ที่อยู่ IP จะอยู่ใน **Settings ▶ Network ▶ Network information** - หรือ - ป้อนชื่อโฮสต์ของอุปกรณ์ชาร์จในช่องที่อยู่ของเบราว์เซอร์ คุณจะพบชื่อโฮสต์ในเอกสารข้อมูลการเข้าใช้งาน

▶ สำหรับข้อมูลเพิ่มเติมเกี่ยวกับเว็บแอปพลิเคชัน โปรดดูคู่มือได้ที่ <https://www.porsche.com/international/aboutporsche/e-performance/help-and-contact/>

## การใช้เว็บแอปพลิเคชัน

### การเปิดเว็บแอปพลิเคชัน

#### การเชื่อมต่อเข้ากับอุปกรณ์ชาร์จ

หากมีการผสานรวมอุปกรณ์ชาร์จเข้ากับเครือข่ายที่มีอยู่ภายในบ้านของคุณ (WiFi หรือ Powerline Communication) ระหว่างการตั้งค่า คุณสามารถเข้าใช้งานเว็บแอปพลิเคชันโดยใช้ที่อยู่ IP ที่กำหนดสำหรับข้อมูลเกี่ยวกับการเชื่อมต่อเครือข่าย ▶ โปรดดูที่ "การเชื่อมต่อ" ที่หน้า 628

#### การเปิดเว็บแอปพลิเคชันผ่านทาง WiFi

✓ อุปกรณ์ของคุณและอุปกรณ์ชาร์จอยู่ในเครือข่าย WiFi เดียวกัน

1. เปิดเบราว์เซอร์
2. ในช่องที่อยู่ของเบราว์เซอร์: ป้อนที่อยู่ IP ที่กำหนดไว้ระหว่างการกำหนดค่า (ใน **Settings ▶ Networks ▶ Network information** บนอุปกรณ์ชาร์จ) หรือชื่อโฮสต์ของอุปกรณ์ชาร์จ (ในเอกสารที่มีข้อมูลการเข้าใช้งานของคุณ)

#### การเปิดเว็บแอปพลิเคชันผ่านทาง Powerline Communication

✓ อุปกรณ์และอุปกรณ์ชาร์จอยู่ในเครือข่ายเดียวกันผ่านการเชื่อมต่อ PLC

1. เปิดเบราว์เซอร์
2. ในช่องที่อยู่ของเบราว์เซอร์: ป้อนที่อยู่ IP ที่กำหนดไว้ระหว่างการกำหนดค่า (ใน **Settings ▶ Networks ▶ Network information** บนอุปกรณ์ชาร์จ)

#### การเปิดเว็บแอปพลิเคชันผ่านทางฮอตสปอต

อีกวิธีหนึ่งคือการเชื่อมต่อผ่านฮอตสปอต อุปกรณ์ชาร์จมีจุดเข้าใช้งานแบบไร้สาย (ฮอตสปอต) ซึ่งจะป้องกันด้วยรหัสผ่านและต้องล็อกอินด้วยตัวเอง อุปกรณ์ที่ใช้งาน WiFi ได้สามารถเชื่อมต่อกับฮอตสปอตและสามารถเข้าใช้งาน

เว็บแอปพลิเคชันของอุปกรณ์ชาร์จ ในเว็บแอปพลิเคชัน คุณสามารถดูสถานะรวมอุปกรณ์ชาร์จเข้ากับเครือข่ายภายในบ้านได้ตลอดเวลา

- ✓ เปิดอุปกรณ์ชาร์จ อุปกรณ์ชาร์จจะเปิดซอตสปอต WiFi โดยอัตโนมัติ
- 1. กดไอคอนเครือข่ายหรือ WiFi บนแถบงานหรือแผงการแจ้งเตือนจากอุปกรณ์ของคุณ
- 2. เลือกเครือข่าย WiFi ของคุณจากรายการ ชื่อเครือข่าย WiFi เป็นชื่อเดียวกับ SSID ในเอกสารที่มีข้อมูลการเข้าใช้งาน และแสดงเป็น ICCPD-#####
- 3. กดปุ่ม Connect อีกครั้ง
- 4. ในช่อง **Security code** ป้อนรหัสความปลอดภัย (แสดงขึ้นเป็น **WiFi PSK** ในเอกสารที่มีข้อมูลการเข้าใช้งานของคุณ)
  - ➔ มีการเชื่อมต่อกับเครือข่าย WiFi

หมายเหตุ: ในระบบปฏิบัติการ Windows 10 ระบบจะขอให้ป้อนรหัส PIN ของเราเตอร์ เลือกลิงก์ Connect using a network security code instead แล้วป้อนรหัส
- 5. เปิดเบราว์เซอร์
- 6. ป้อนที่อยู่ IP ต่อไปนี้ลงในช่องที่อยู่ของเบราว์เซอร์: **192.168.0.1**.

### **i** ข้อมูล

หากอุปกรณ์ของคุณอยู่ในเครือข่ายภายในบ้าน คุณจะไม่สามารถเข้าใช้งานเว็บแอปพลิเคชันผ่านทางที่อยู่ IP ของซอตสปอต (192.168.0.1) ได้อีกต่อไป แต่จะเข้าใช้งานผ่านทางที่อยู่ IP ที่กำหนดโดยอัตโนมัติหรือชื่อโฮสต์ของอุปกรณ์ชาร์จเท่านั้น

- รายการที่อยู่ IP ที่มีอยู่:
  - Web Application: **Maintenance** ▶ **Device information**
  - อุปกรณ์ชาร์จ: **Settings** ⚙ ▶ **Networks** ▶ **Network information**
- รายการชื่อโฮสต์ที่มีอยู่:
  - เอกสารข้อมูลการเข้าใช้งาน
  - Web Application: **Maintenance** ▶ **Device information**

### การกลับไปที่เว็บแอปพลิเคชัน

### **i** ข้อมูล

เว็บแอปพลิเคชันอาจไม่เปิดทันที ทั้งนี้ขึ้นอยู่กับเบราว์เซอร์ที่คุณใช้ แต่อาจแสดงการแจ้งเตือนเกี่ยวกับการตั้งค่าความปลอดภัยของเบราว์เซอร์ก่อน

1. ในข้อความเตือนของเบราว์เซอร์ที่แสดงขึ้น ให้เลือก **Advanced**
2. ในกล่องโต้ตอบถัดไป เลือก **Add exception**
  - ➔ ยืนยันใบรับรอง SSL และเว็บแอปพลิเคชันเปิดขึ้น

### ประวัติการชาร์จ

กระบวนการชาร์จของอุปกรณ์ชาร์จจะแสดงตามลำดับเวลาที่นี้ ข้อมูลต่อไปนี้จะแสดงขึ้นในทุกกระบวนการชาร์จ:

- Time (เวลา)
- ระยะเวลาการชาร์จ
- อัตราการสิ้นเปลือง

- ค่าใช้จ่าย (หากเชื่อมต่อกับ Energy manager)
- บัญชีที่ใช้ (หากมีการเลือกบัญชีระหว่างการชาร์จ)

เว็บแอปพลิเคชันมีตัวเลือกการส่งออกข้อมูลประวัติการชาร์จเป็นไฟล์ Excel

1. เลือก **Export charging history**
2. ระบบตำแหน่งที่ต้องการจัดเก็บและบันทึกไฟล์

### **i** ข้อมูล

สำหรับกระบวนการชาร์จแต่ละครั้ง จะมีบัญชี **Work** และ **Private** ให้เลือกเพื่อใช้สำหรับการประเมิน คุณสามารถเลือกบัญชีในข้อมูลเกี่ยวกับ **Charging process** ในปัจจุบัน (สัญลักษณ์ i ในแถบเมนู) บนอุปกรณ์ชาร์จ ตัวเลือกของคุณจะถูกนำไปใช้ในกระบวนการชาร์จครั้งถัดไป ดังนั้นคุณต้องเปลี่ยน หากจำเป็น

### การเชื่อมต่อ

หากต้องการเข้าใช้งานเว็บแอปพลิเคชันของอุปกรณ์ชาร์จ ข้อมูลและการตั้งค่า อุปกรณ์ของคุณและอุปกรณ์ชาร์จจะต้องอยู่ในเครือข่ายภายในบ้าน (ผ่านการเชื่อมต่อ WiFi หรือ PLC) ฟังก์ชันทั้งหมดของเว็บแอปพลิเคชันสามารถใช้ได้ผ่านการเชื่อมต่ออินเทอร์เน็ตของเครือข่ายภายในบ้าน

หากไม่มีเครือข่ายภายในบ้านในสถานที่ใช้งาน อุปกรณ์ของคุณ (พีซี แท็บเล็ต หรือสมาร์ตโฟน) สามารถล็อกอินเข้าอุปกรณ์ชาร์จได้โดยตรงผ่านซอตสปอต WiFi อย่างไรก็ตาม ในกรณีนี้จะไม่มีการเชื่อมต่อกับอินเทอร์เน็ต และไม่สามารถใช้ได้เฉพาะฟังก์ชันที่ติดตั้งอยู่ในเครื่องเท่านั้น

**i** ข้อมูล

หากอุปกรณ์ของคุณอยู่ในเครือข่ายภายในบ้าน คุณจะไม่สามารถเข้าใช้งานเว็บแอปพลิเคชันผ่านทางที่อยู่ IP ของฮอตสปอต (192.168.0.1) ได้อีกต่อไป แต่จะเข้าใช้งานผ่านทางที่อยู่ IP ที่กำหนดโดยอัตโนมัติหรือชื่อโฮสต์ของอุปกรณ์ชาร์จ์เท่านั้น

- รายการที่อยู่ IP ที่มีอยู่:
  - Web Application: **Maintenance** ▶ **Device information**
  - อุปกรณ์ชาร์จ์: **Settings** ⚙️ ▶ **Networks** ▶ **Network information**
- รายการชื่อโฮสต์ที่มีอยู่:
  - เอกสารข้อมูลการเข้าใช้งาน
  - Web Application: **Maintenance** ▶ **Device information**

**i** ข้อมูล

หากคุณเปลี่ยนจากโหมดฮอตสปอตเป็นการเชื่อมต่อเครือข่าย WiFi และในทางกลับกัน ระหว่างที่อยู่ในกระบวนการตั้งค่า คุณจำเป็นต้องเลือกอินใหม่

คุณสามารถเปลี่ยนเป็นเครือข่ายภายในบ้านด้วย Powerline Communication ขณะที่ยังมีการเชื่อมต่อฮอตสปอตโดยไม่จำเป็นต้องรีสตาร์ท

**i** ข้อมูล

หากคุณใช้เว็บแอปพลิเคชัน ปิดเฉพาะการเชื่อมต่อฮอตสปอตหากสามารถเชื่อมต่อกับเครือข่ายภายในบ้านได้

- ▶ เลือกการเชื่อมต่อเครือข่ายที่ต้องการ (ฮอตสปอต, WiFi, PowerLine Communication)

**ฮอตสปอต**

อุปกรณ์ของคุณสามารถเชื่อมต่อกับอุปกรณ์ชาร์จ์ได้โดยตรงผ่านฮอตสปอต WiFi ที่ผสานรวมอยู่

1. เลือก **Configure hotspot**

2. ในการตั้งค่า ป้อนชื่อเครือข่ายและรหัสความปลอดภัยด้วยของฮอตสปอต
- ▶ สำหรับข้อมูลเกี่ยวกับการเชื่อมต่อฮอตสปอต ▶ ไปรุดดูบท "การเปิดเว็บแอปพลิเคชัน" ที่หน้า 627

**WiFi****i** ข้อมูล

หากอุปกรณ์ชาร์จ์เชื่อมต่อกับอุปกรณ์ของคุณผ่านทางฮอตสปอตอยู่แล้ว คุณจะไม่สามารถเชื่อมต่อกับเครือข่าย WiFi ได้ในเวลาเดียวกัน คุณต้องปิดการใช้งานฮอตสปอตก่อน

1. เปิดใช้งาน WiFi
2. เลือกตัวเลือก **Connect to network**
3. เลือกเครือข่ายของคุณจากรายการ และป้อน **Security code** ▶ **Other network**: เลือกตัวเลือกนี้หากคุณกำลังใช้เครือข่ายที่ไม่มีอยู่ในรายการ
4. เลือกว่าควรกำหนดที่อยู่ IP โดยอัตโนมัติหรือไม่ (แนะนำ)
  - ➔ ที่อยู่ IP จะแสดงขึ้นเมื่อมีการเชื่อมต่อกับเครือข่าย
  - สถานะ **Connected** จะปรากฏขึ้นโดยเครือข่ายในรายการ

**การจัดการเครือข่าย WiFi**

ตัวเลือก	คำบรรยาย
<b>Other network</b>	▶ เลือกตัวเลือกนี้หากเครือข่ายของคุณไม่มีอยู่ในรายการ
<b>Manage known networks</b>	▶ เลือก <b>Delete</b> เพื่อลบเครือข่ายที่บันทึกไว้ ด้วยวิธีนี้ อุปกรณ์ชาร์จ์จะอยู่ในเครือข่ายที่ถูกต้อง

**การยกเลิกการเชื่อมต่อจากเครือข่าย**

1. เลือกเครือข่ายที่เชื่อมต่ออยู่ในปัจจุบัน
2. เลือก **Disconnect** เพื่อยกเลิกการเชื่อมต่อจากเครือข่าย WiFi

**การกำหนดค่าการเชื่อมต่อเครือข่าย**

1. เลือกเครือข่ายที่เชื่อมต่ออยู่ในปัจจุบัน
2. เลือก **Configure** เพื่อเปลี่ยนการตั้งค่าที่อยู่ IPv4 และเซิร์ฟเวอร์ DNS

**i** ข้อมูล

มีการใช้ย่านความถี่ 2.4 GHz สำหรับการเชื่อมต่อเครือข่าย ในกรณีที่มีปัญหาการเชื่อมต่อ ให้ยกเลิกการเข้าใช้งานความถี่ 5 GHz ที่เราเตอร์เครือข่าย

**PowerLine Communication**

นอกเหนือจาก WiFi อุปกรณ์ชาร์จ์ของคุณสามารถเชื่อมต่อกับเครือข่ายภายในบ้านผ่านการเชื่อมต่อ PLC ด้วยเหตุนี้ จึงใช้สายเมนที่มีอยู่ในการเชื่อมต่อเครือข่ายภายใน สำหรับการรับส่งข้อมูล อุปกรณ์ชาร์จ์จะได้รับการลงทะเบียนเป็นโกลเอ็นต์ในเครือข่าย PLC

ในการเชื่อมต่อ อุปกรณ์ชาร์จและโมเด็ม PLC สามารถเชื่อมต่อถึงกันได้ผ่านปุ่มจับคู่ ในกรณีนี้ อุปกรณ์ชาร์จจะจับคู่กับโมเด็ม PLC โดยอัตโนมัติ การเชื่อมต่ออีกวิธีคือการป้อนรหัสความปลอดภัยของอุปกรณ์ชาร์จลงในโมเด็ม PLC

## 1. เปิดใช้งาน Powerline Communication (PLC)

### 2. เพิ่มอุปกรณ์ชาร์จลงในเครือข่าย PLC:

- **ตัวเลือกที่ 1:** ด้วยปุ่มจับคู่:

a. ในเว็บแอปพลิเคชัน เลือก **Establish connection with PLC push method**

b. เลือก **Start pairing**

c. กดปุ่มจับคู่บนโมเด็ม PLC ภายใน 2 นาที เพื่อทำการเชื่อมต่อ

d. เลือกปุ่ม **Connect** เพื่อยืนยันการจับคู่

- **ตัวเลือกที่ 2:** โดยการป้อนรหัสความปลอดภัย PLC:

a. เลือกตัวเลือก **Establish connection with PLC security code** รหัสความปลอดภัยจะปรากฏขึ้น

b. ป้อนรหัสความปลอดภัยลงในกรตั้งค่าของโมเด็ม PLC

➔ อุปกรณ์ชาร์จผสมผสานรวมอยู่ในเครือข่าย PLC และทำการเชื่อมต่อ

## การเชื่อมต่อ PLC กับรถ

ฟังก์ชันนี้จะมองเห็นได้และกำหนดค่าได้เฉพาะผู้ใช้ที่เป็น **Customer service** เท่านั้น หากยกเลิกการเชื่อมต่อ PLC จะไม่มีข้อมูลส่งผ่านสายเคเบิลไปทีไร

โหมดนี้จำเป็นต้องใช้ ตัวอย่างเช่น ระหว่างการวัดค่าจำเพาะ

เมื่อมีการรับส่งข้อมูล การชาร์จจะใช้โปรโตคอลการชาร์จ (การสื่อสารระดับสูง) เป็นค่ามาตรฐาน

เมื่อปิดการรับส่งข้อมูล การชาร์จจะขึ้นอยู่กับพารามิเตอร์ทางไฟฟ้า (การปรับความกว้างพัลส์)

## การเพิ่ม Energy manager

สำหรับการควบคุมการชาร์จโดย Energy manager ต้องเชื่อมต่ออุปกรณ์ชาร์จ (อุปกรณ์ EEBus) กับ Energy manager ก่อน คุณสามารถเชื่อมต่อทั้งในเว็บแอปพลิเคชันของ Energy manager และเว็บแอปพลิเคชันของอุปกรณ์ชาร์จ (หรือกับอุปกรณ์ชาร์จโดยตรง)

### การเชื่อมต่อกับอุปกรณ์ชาร์จจาก Energy manager

➤ คำอธิบายกระบวนการเชื่อมต่อกับอุปกรณ์ชาร์จมีอยู่ในบท "การเพิ่มอุปกรณ์ EEBus" ในคู่มือเว็บแอปพลิเคชันสำหรับ Porsche Home Energy Manager

### การเชื่อมต่อกับ Energy manager จากอุปกรณ์ชาร์จ

✓ อุปกรณ์ชาร์จและ Energy manager อยู่ในเครือข่ายเดียวกัน

### 1. ในเว็บแอปพลิเคชันของอุปกรณ์ชาร์จ ไปที่

#### Connections ▶ Energy manager

➔ Energy manager จะแสดงอยู่ในรายการ **Available energy managers**

### 2. เลือกและขยาย Energy manager

### 3. เลือก **Pair device**

➔ ระบบจะตรวจสอบการเชื่อมต่อ

### 4. ในกล่องโต้ตอบ **Establish connection** ให้ตรวจสอบตัวตนของ Energy manager อีกครั้งโดยใช้หมายเลข ID (SKI) จากนั้นเลือก **Connect**

➔ Energy manager เชื่อมต่อสำเร็จ และสถานะ **Energy manager connected** จะแสดงขึ้น

การตั้งค่า Energy manager (เช่น การตั้งค่าข้อมูลเกี่ยวกับกระแสไฟฟ้าในการชาร์จ การป้องกันการโอเวอร์โวลต์ การชาร์จอย่างเหมาะสม และค่าไฟ) จะนำมาจากอุปกรณ์ชาร์จ

## การยกเลิกการเชื่อมต่อจาก Energy manager:

### 1. ในเว็บแอปพลิเคชันของอุปกรณ์ชาร์จ ไปที่

#### Connections ▶ Energy manager

➔ Energy manager ที่เชื่อมต่อจะแสดงขึ้นพร้อมสถานะ **Energy manager connected**

### 2. เลือก **Disconnect**

➔ อุปกรณ์ชาร์จถูกตัดการเชื่อมต่อจาก Energy manager

## การจับคู่โปรไฟล์ผู้ใช้

### **i** ข้อมูล

หากต้องการถ่ายโอนข้อมูลไปยังบัญชี Porsche ID ของคุณ อุปกรณ์จะต้องเชื่อมต่อกับอินเทอร์เน็ต

ในบัญชี Porsche ID ของคุณ คุณยังสามารถเรียกดูข้อมูลเกี่ยวกับกระบวนการชาร์จได้ ในการทำเช่นนี้ อุปกรณ์ชาร์จจะต้องจับคู่กับ Porsche ID

### 1. เลือกปุ่ม **Link user profile**

➔ กล่องโต้ตอบ **Link user profile** เปิดขึ้น

### 2. ขึ้นอยู่กับว่าการเชื่อมต่ออินเทอร์เน็ตหรือไม่ ให้เลือกตัวเลือกต่อไปนี้ (ดู "ตัวเลือกการเชื่อมต่ออินเทอร์เน็ต")

### 3. ป้อนข้อมูลล็อกอิน (Porsche ID, รหัสผ่าน) บนเว็บไซต์สำหรับบัญชี Porsche ID

ตัวเลือกการเชื่อมต่ออินเทอร์เน็ต

ตัวเลือก	คำบรรยาย
<b>To My Porsche</b>	<ul style="list-style-type: none"> <li>✓ เว็บแอปพลิเคชันเชื่อมต่อกับอินเทอร์เน็ต</li> <li>▶ คุณจะถูกพาไปยังบัญชี Porsche ID ของคุณ</li> </ul>
<b>More options</b>	<ul style="list-style-type: none"> <li>✓ เว็บแอปพลิเคชันไม่ได้เชื่อมต่อกับอินเทอร์เน็ต</li> <li>▶ หากอุปกรณ์เคลื่อนที่ของคุณมีการเชื่อมต่ออินเทอร์เน็ตให้สแกนรหัส QR ที่แสดงขึ้นมาหรือป้อน URL ด้วยตัวเองในเบราว์เซอร์ของคุณ</li> </ul>

การตั้งค่าระบบ

โหมดสแตนด์บาย

การตั้งค่านี้จะมองเห็นได้เฉพาะผู้ใช้ที่เป็น Customer service เท่านั้น ในโหมดสแตนด์บายฟังก์ชันของอุปกรณ์ชาร์จจะแสดงได้อย่างสะดวก และจำลองกระบวนการชาร์จ การตั้งค่าที่ทำในโหมดสแตนด์บายไม่มีการนำไปใช้งาน

✓ ผู้ใช้ **Customer service** ล็อกอิน

▶ เปิดใช้งานฟังก์ชันนี้

ครั้งถัดไปที่คุณล็อกอินเข้าเว็บแอปพลิเคชัน โหมดสแตนด์บายจะปิดทำงานอีกครั้ง

การเปลี่ยนรหัสผ่าน

คุณสามารถเปลี่ยนรหัสผ่านสำหรับเข้าสู่ระบบเว็บแอปพลิเคชัน รหัสผ่านที่เลือกไว้อันใหม่จะเขียนทับรหัสผ่านเริ่มต้นจากเอกสารที่มีข้อมูลการใช้งาน

▶ เลือก **Change** และป้อนรหัสผ่านใหม่

การเปิดใช้งานการป้องกันอุปกรณ์

การเตือนให้ป้อน PIN จะปกป้องอุปกรณ์ชาร์จของคุณและป้องกันไม่ให้บุคคลที่ไม่ได้รับอนุญาตเชื่อมต่ออุปกรณ์ชาร์จของคุณ

1. เปิดใช้งานฟังก์ชันนี้
2. ป้อนรหัส PIN 4 หลักและยืนยัน
3. ป้อนรหัส PIN อีกครั้งและยืนยัน
  - ➔ ยืนยันการเปิดใช้งานการเตือนให้ป้อน PIN ป้อนรหัส PIN เพื่อปลดล็อกอุปกรณ์ชาร์จ

การเปิดใช้งาน PIN ของผู้รับเชิญ

นอกจากนี้ คุณสามารถสร้างรหัส PIN ของผู้รับเชิญให้กับผู้ใช้คนอื่นได้

▶ กระบวนการจะเป็นแบบเดียวกับเมื่อคุณกำหนดรหัส PIN สำหรับการปกป้องอุปกรณ์

**i** ข้อมูล

ผู้ใช้ที่เป็นผู้รับเชิญ ไม่สามารถกำหนดค่าอุปกรณ์ชาร์จได้

การควบคุมการใช้พลังงาน

เปิดใช้งานโหมดสแตนด์บายเพื่อประหยัดไฟฟ้า โหมดสแตนด์บายจะเริ่มขึ้นทันทีที่การชาร์จสิ้นสุด

▶ เปิดใช้งาน **Standby mode**

อุปกรณ์ใช้เวลาครู่หนึ่งในการออกจากโหมดสแตนด์บาย และจะพร้อมใช้งานอีกครั้ง

**i** ข้อมูล

อุปกรณ์ชาร์จจะสลัปเป็นโหมดสแตนด์บายโดยอัตโนมัติหลังจากที่ไม่ได้ใช้งานเป็นระยะเวลาสั้น โดยในขั้นแรก ความสว่างของการแสดงผลของอุปกรณ์จะลดลง จากนั้นหน้าจอจะดับ กดปุ่ม Power เพื่อเริ่มทำงานอีกครั้ง

การระบุภาษาและประเทศ

ข้อมูล	คำบรรยาย
<b>Language</b>	เลือกภาษาสำหรับเว็บแอปพลิเคชัน
<b>Country</b>	ประเทศที่ใช้งาน การตั้งค่าจะแตกต่างกันไปตามแต่ละประเทศ หากคุณระบุประเทศที่ไม่ได้เป็นสถานที่ที่ใช้งานจริง การตั้งค่าบางอย่างอาจใช้งานไม่ได้

การระบุวันที่และเวลา

ข้อมูล	คำบรรยาย
<b>Date and time</b>	เมื่อมีการเชื่อมต่อกับเครือข่าย วันที่และเวลาจะแสดงโดยอัตโนมัติ
<b>Time zone</b>	สามารถเลือกเองได้
<b>Set time</b>	ระยะเวลา หากเวลาของเครือข่ายไม่มีให้อ้างอิง

Units

เลือกพารามิเตอร์และหน่วยที่จะใช้สำหรับอุปกรณ์ชาร์จ

Equipment display

การตั้งค่านี้จะกำหนดความสว่างของจอแสดงผลของอุปกรณ์ชาร์จ

**การชาร์จ**

**Mains status**

การตั้งค่านี้จะมีมองเห็นได้เฉพาะผู้ใช้ที่เป็น **Customer service** เท่านั้น อุปกรณ์ชาร์จจะตรวจพบข้อมูลเกี่ยวกับสถานะหลักที่แสดงอยู่ที่นี้โดยอัตโนมัติ

ตัวแสดงผล	คำบรรยาย
<b>Mains phases</b>	จำนวนเฟสในสายไฟ
<b>Cable type</b>	ประเภทของสายชาร์จรถประเภทของสายจะให้ข้อมูลสำคัญสำหรับการตั้งค่ากระแสไฟฟ้านในการชาร์จสูงสุด
<b>Restricted operation</b>	ตัวเลขนี้แสดงให้ทราบว่าเซ็นเซอร์กำลังไฟในการชาร์จตัวใดที่ถูกจำกัดการทำงานเนื่องจากมีความร้อนสูงเกินไป: - 0: ไมโครคอนโทรลเลอร์มีอุณหภูมิสูงเกินไป - 1: รีเลย์มีอุณหภูมิสูงเกินไป - 2: อุณหภูมิภายในเครื่องสูงเกินไป - 3: เซ็นเซอร์สายโคจรสร้างภายใน 1 มีอุณหภูมิสูงเกินไป - 4: เซ็นเซอร์สายโคจรสร้างภายใน 2 มีอุณหภูมิสูงเกินไป

**Ground monitoring**



ไฟดูด ไฟฟ้าลัดวงจร ไฟไหม้ ระเบิด

ใช้อุปกรณ์ชาร์จโดยที่ไม่มีการตรวจสอบสายดินอาจทำให้เกิดไฟดูด ไฟฟ้าลัดวงจร ไฟไหม้ การระเบิด หรือการลัดไหม้ได้

- ▶ ควรใช้งานอุปกรณ์ชาร์จในระบบจ่ายไฟหลักที่ต่อสายดิน
- ▶ ยกเลิกการตรวจสอบสายดินในระบบจ่ายไฟหลักที่ไม่ได้ต่อสายดินเท่านั้น
- ▶ เปิดใช้งานการตรวจสอบสายดินในระบบจ่ายไฟหลักที่ต่อสายดินเท่านั้น

การเปิดและปิดใช้งานการตรวจสอบสายดิน ▶ โปรดดูบท "การเปิดและปิดใช้งานการตรวจสอบสายดิน" ที่หน้า 626

**Adapting the charging current**

หากกระแสไฟฟ้านในการชาร์จที่เข้ารถสูงเกินไป ฟิวส์อาจขาด ทำให้เกิดไฟดับในบริเวณที่ฟิวส์นั้นควบคุมอยู่

หาก Energy manager เชื่อมต่อกับอุปกรณ์ชาร์จ การป้องกันการโอเวอร์โหลดจะตรวจสอบกระแสไฟฟ้านในการชาร์จที่ส่งไปยังอุปกรณ์ชาร์จ หากไม่มี Energy manager ในเครือข่ายภายในบ้าน คุณจะต้องกำหนดกระแสไฟฟ้าสูงสุดสำหรับอุปกรณ์ชาร์จ

กระแสไฟฟ้านในการชาร์จที่คุณระบุไว้ต้องไม่เกินค่าสูงสุดของกระแสไฟฟ้านในการชาร์จที่การติดตั้งทางไฟฟ้างรองรับได้

ต้องคำนึงถึงข้อมูลต่อไปนี้เมื่อจะกำหนดกระแสไฟฟ้านในการชาร์จสูงสุด:

- ประเภทของสายที่เชื่อมต่อกับอุปกรณ์ชาร์จ
- โหลดอื่นๆ ที่เชื่อมต่อกับสายไฟนี้หรือฟิวส์

ข้อมูลเกี่ยวกับสายไฟและการใช้งานในประเทศต่างๆ โปรดดูบท "การเลือกสายไฟ" ที่หน้า 616

**ข้อมูล**

ห้ามตั้งค่ากำลังไฟในการชาร์จสูงกว่าค่าพลังงานสูงสุดของวงจรไฟฟ้า

หากคุณไม่แน่ใจเกี่ยวกับสิ่งนี้ โปรดปรึกษาช่างไฟฟ้าผ่านการรับรอง

**ข้อมูล**

หากเชื่อมต่อ Energy manager การตั้งค่าของ Energy manager จะเขียนทับค่าที่คุณป้อนไว้

- ✓ สายของรถเชื่อมต่อกับอุปกรณ์ชาร์จ
- ▶ ในเว็บแอปพลิเคชัน ใช้ตัวควบคุมในการตั้งค่าค่าต่ำสุดและค่าสูงสุดสำหรับกระแสไฟฟ้าในการชาร์จ

**การบำรุงรักษา**

**การแสดงผลข้อมูลอุปกรณ์**

ข้อมูลนี้จะเป็นไปตามข้อมูลของอุปกรณ์ชาร์จ เช่น หมายเลขเวอร์ชัน หมายเลขซีเรียล และชื่อโฮสต์

ศูนย์บริการของ Porsche ต้องการข้อมูลนี้ในกรณีที่มีความผิดปกติ

**การแสดงผลเวลาที่ใช้ทั้งหมด**

ตัวแสดงผล	คำบรรยาย
<b>Total energy consumption</b>	แสดงการใช้พลังงานทั้งหมดของอุปกรณ์ชาร์จเครื่องนี้สำหรับกระบวนการชาร์จก่อนหน้านี้ทั้งหมด
<b>Total charging time</b>	แสดงระยะเวลาในการชาร์จทั้งหมดของอุปกรณ์ชาร์จเครื่องนี้สำหรับกระบวนการชาร์จก่อนหน้านี้ทั้งหมด

### การแสดงความจำเริญการณั

การตั้งค่านี้จะมองเห็นได้เฉพาะผู้ใช้ที่เป็น **Customer service** เท่านั้น ข้อมูลหน่วยความจำเหตุการณ์จะแสดงขึ้นที่ใดจะเกี่ยวกับข้อความแสดงข้อผิดพลาดที่เกิดขึ้นระหว่างการทดสอบระบบ หน่วยความจำเหตุการณ์ทั้งแบบแอคทีฟและพาสซีฟจะแสดงขึ้น เหตุการณ์แบบแอคทีฟหรือข้อผิดพลาดจะยังคงดำเนินอยู่ ซึ่งจะแตกต่างจากเหตุการณ์แบบพาสซีฟ

- ▶ เลือกบันทึกที่เหมาะสมเพื่อดูข้อความแสดงข้อผิดพลาดและผลการทดสอบระบบ

### การติดตั้งการอัปเดตซอฟต์แวร์

อุปกรณ์ชาร์จันหากการอัปเดตซอฟต์แวร์ตามค่ามาตรฐานและดาวน์โหลด การตั้งค่านี้จะกำหนดว่าจะติดตั้งการอัปเดตซอฟต์แวร์โดยอัตโนมัติหรือติดตั้งด้วยตนเอง **Software version:** แสดงเวอร์ชันของซอฟต์แวร์ที่ติดตั้งในปัจจุบัน

#### **i** ข้อมูล

หากต้องการค้นหาและดาวน์โหลดการอัปเดตซอฟต์แวร์ อุปกรณ์ชาร์จันต้องมีการเชื่อมต่ออินเทอร์เน็ต

### อัปเดตโดยอัตโนมัติ

เมื่อเปิดใช้งานฟังก์ชันนี้ อุปกรณ์ชาร์จันจะติดตั้งการอัปเดตซอฟต์แวร์โดยอัตโนมัติ

- ▶ เลือก **Automatic software updates**

### อัปเดตด้วยตนเอง

เมื่อมีซอฟต์แวร์เวอร์ชันใหม่ให้ใช้งาน ข้อความแจ้งเตือนจะปรากฏในสถานะของอุปกรณ์ในแดชบอร์ด

- ✓ **Automatic software updates** ปิดการทำงาน
- ▶ เลือก **Perform software update** เพื่อเริ่มการติดตั้ง

### การบันทึกการตั้งค่า

การกำหนดค่าของคุณและข้อมูลที่ป้อนเข้าไปก่อนหน้านั้นสามารถบันทึกไว้ได้โดยใช้การสำรองข้อมูล จากการสำรองข้อมูลนี้ คุณสามารถเรียกคืนการตั้งค่าเหล่านี้ได้ หากจำเป็น เช่น หลังจากรีเซ็ตเป็นการตั้งค่าจากโรงงาน คุณสามารถสำรองข้อมูลด้วยตนเองในเว็บแอปพลิเคชัน จะไม่มีการจัดเก็บรหัสผ่านหรือข้อมูลส่วนตัว เช่น ประวัติการชาร์จ ไว้ในข้อมูลสำรอง

### การสร้างข้อมูลสำรอง

ด้วยการสำรองข้อมูลด้วยตนเอง ข้อมูลจะถูกจัดเก็บลงในอุปกรณ์ของคุณ

- ✓ อุปกรณ์ของคุณและอุปกรณ์ชาร์จันอยู่ในเครือข่ายเดียวกัน

1. เลือก **Export**
2. ไปยังตำแหน่งที่จัดเก็บข้อมูล
3. บันทึกไฟล์ข้อมูลสำรอง

#### **Assign password:** ป้อนรหัสผ่าน

รหัสผ่านช่วยป้องกันข้อมูลของคุณและต้องป้อนรหัสเมื่อคุณนำเข้าหรือเรียกคืนข้อมูลสำรอง

### การเรียกคืนข้อมูลสำรอง

คุณสามารถนำเข้าไฟล์ข้อมูลสำรองที่บันทึกไว้จากอุปกรณ์ของคุณลงในอุปกรณ์ชาร์จัน

- ✓ อุปกรณ์ของคุณและอุปกรณ์ชาร์จันอยู่ในเครือข่ายเดียวกัน
1. เลือกปุ่ม **Import**
  2. ระบุตำแหน่งไฟล์ข้อมูลสำรอง แล้วเลือกไฟล์ดังกล่าว
  3. ป้อนรหัสผ่านที่คุณใช้ในการบันทึกไฟล์ข้อมูลสำรอง

### การรีเซ็ตเป็นการตั้งค่าจากโรงงาน

หากคุณเปิดใช้ฟังก์ชันนี้ ข้อมูลส่วนตัวและการกำหนดค่าทั้งหมด เช่น ประวัติการชาร์จและการตั้งค่าเครือข่าย จะถูกลบออก ยิ่งไปกว่านั้น รหัสผ่านทั้งหมดจะถูกรีเซ็ตเป็นรหัสผ่านเริ่มต้นตามเอกสารข้อมูลการเข้าใช้งานของคุณ

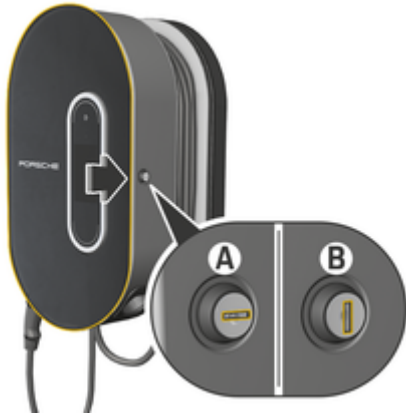
- ▶ เปิดใช้งาน **Reset to factory settings**

เพื่อสร้างการสำรองข้อมูล โปรดดูที่ "การบำรุงรักษา" ที่หน้า 632

#### **i** ข้อมูล

หากรีเซ็ตการตั้งค่าเป็นสถานะโรงงาน ตัวช่วยการตั้งค่าจะช่วยตั้งค่าอุปกรณ์ชาร์จันที่สำคัญที่สุดในครั้งต่อไปที่เปิดใช้งาน

## แท่นชาร์จ



รูป . 314: แท่นชาร์จ

### การเปิดแท่นชาร์จ

- ▶ กดฝาแท่นชาร์จตาม**ทิศทางลูกศร** ฝาจะเปิดออกโดยอัตโนมัติ

### การปิดแท่นชาร์จ

- ▶ ปิดฝาแท่นชาร์จและกดเข้าตาม**ทิศทางลูกศร**

### การถอดแท่นชาร์จ

- ▶ หมุนตัวล็อกไปที่ตำแหน่ง **A** (รูป 314)

### การปลดล็อกแท่นชาร์จ

- ▶ หมุนตัวล็อกไปที่ตำแหน่ง **B** (รูป 314)

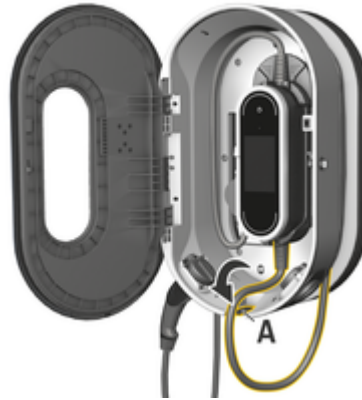
## การต่อหน่วยควบคุมเข้ากับแท่นชาร์จและถอดออกจากแท่นชาร์จ

### คำแนะนำ

ความเสียหายที่เกิดกับอุปกรณ์ชาร์จ

- ▶ ปิดฝาไว้เสมอ
- ▶ ห้ามวางสิ่งของไว้บนฝาหรือบนแท่นชาร์จ

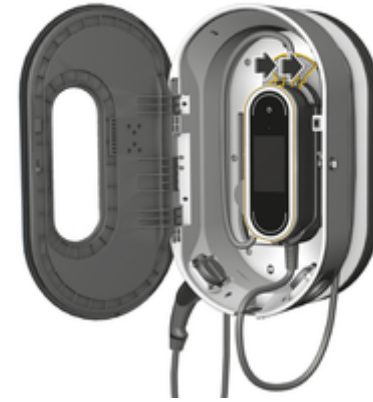
### การต่อหน่วยควบคุมเข้ากับแท่นชาร์จ



รูป . 315: การต่อหน่วยควบคุม

1. เปิดฝาแท่นชาร์จ
2. วางหน่วยควบคุมไว้ใต้แท็บล็อกของแท่นชาร์จ แล้วยึดเข้าที่ด้านหลัง
3. สอดสายของรถผ่านช่อง **A** (รูป 315) และพันสายส่วนเกินไว้รอบๆ แท่นชาร์จ
4. เสียบสายไฟเข้าที่เต้ารับไฟฟ้า
5. ปิดฝาแท่นชาร์จ

### การถอดหน่วยควบคุมออกจากแท่นชาร์จ

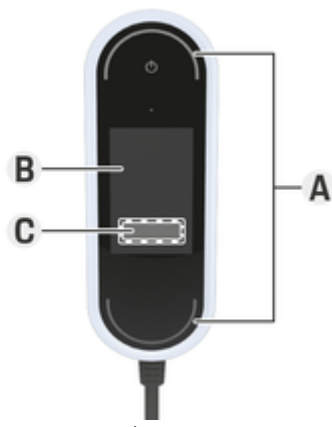


รูป . 316: การต่อหน่วยควบคุม

1. เปิดฝาแท่นชาร์จ
2. ถอดสายไฟออกจากเต้ารับไฟฟ้า
3. นำสายของรถออกจากแท่นชาร์จให้หมด
4. ปลดหน่วยควบคุมออกจากตัวยึดโดยกดสวิตช์ปลดล็อก (ลูกศร) แล้วถอดออก



## ความผิดปกติ



- A LED แสดงสถานะสว่างขึ้นเป็นสีแดง
- B ข้อความแสดงข้อผิดพลาดและสาเหตุ
- C การแก้ไข

ในกรณีที่เกิดข้อผิดพลาดหรือความผิดปกติ อุปกรณ์ชาร์จจะแสดงข้อความที่เกี่ยวข้องบนหน้าจอ LED แสดงสถานะและปุ่มเปิดปิดจะสว่างขึ้นเป็นสีแดง ข้อความจะแสดงรายละเอียดของข้อผิดพลาด ข้อมูลเกี่ยวกับสาเหตุและวิธีการแก้ไข

- ▶ โปรดปฏิบัติตามคำแนะนำสำหรับวิธีการแก้ไข

### คำแนะนำ

ความเสียหายที่เกิดกับอุปกรณ์ชาร์จ

- ▶ หากข้อผิดพลาดยังไม่หายไปหรือเกิดขึ้นอีก โปรดถอดอุปกรณ์ชาร์จออกจากแหล่งจ่ายไฟหลักและตัดต่อช่างไฟฟ้าที่ผ่านการรับรอง Porsche ขอแนะนำให้คุณใช้ศูนย์บริการของ Porsche ที่ผ่านการรับรอง

ภาพรวมต่อไปนี้จะมีความแนะนำสำหรับวิธีการจัดการกับความผิดปกติที่จำกัดหรือป้องกันไม่ให้เกิดการชาร์จรถ

รูป . 317: การแสดงความผิดปกติ

สถานการณ์	วิธีการที่แนะนำ
การแสดงผล (หน้าจอ LED แสดงสถานะ ปุ่มเปิดปิด) หยุดทำงานโดยสิ้นเชิง	<ul style="list-style-type: none"> <li>▶ ปลดอุปกรณ์ชาร์จออกจากแหล่งจ่ายไฟหลักและเปลี่ยนใหม่</li> <li>▶ ให้ช่างไฟฟ้าที่ผ่านการรับรองตรวจสอบการติดตั้งระบบไฟบ้าน</li> </ul>
จอแสดงผลไม่แสดงข้อมูลใด LED แสดงสถานะไม่เปลี่ยนสี และปุ่มเปิดปิดสว่างขึ้นเป็นสีแดง	<ul style="list-style-type: none"> <li>▶ อุปกรณ์ชาร์จมีความร้อนสูง ถอดอุปกรณ์ชาร์จออกจากแหล่งจ่ายไฟหลักและปล่อยให้เครื่องเย็นลงอย่างช้าๆ</li> <li>▶ หากยังมีข้อผิดพลาดอยู่ ให้เปลี่ยนอุปกรณ์ชาร์จ</li> </ul>
ทำงานอย่างจำกัดหรือไม่สามารถชาร์จได้ (ข้อความแสดงขึ้นบนหน้าจอ)	<ul style="list-style-type: none"> <li>▶ ตรวจสอบให้แน่ใจว่าสายไฟและสายของรถเชื่อมต่อกับหน่วยควบคุมถูกต้องและเสียบอย่างถูกต้อง</li> <li>▶ ตรวจสอบให้แน่ใจว่าอุปกรณ์ชาร์จอยู่ในช่วงอุณหภูมิที่กำหนด                             <ul style="list-style-type: none"> <li>▷ โปรดดูที่ "ข้อมูลทางเทคนิค" ที่หน้า 640</li> </ul> </li> <li>▶ รับทราบข้อความแสดงข้อผิดพลาดที่ปรากฏขึ้น</li> <li>▶ รีสตาร์ทอุปกรณ์ชาร์จ กดปุ่มเปิดปิดอย่างน้อย 10 วินาทีเพื่อรีสตาร์ท</li> </ul>

สถานการณ์	วิธีการที่แนะนำ
กระแสไฟฟ้าในการชาร์จต่ำเกินไป (ข้อความแสดงขึ้นบนหน้าจอ)	▶ เครื่องชาร์จในบ้านโอเวอร์โหลด ปิดโหลดไฟฟ้าอื่นๆ ที่สูงกว่า
แรงดันไฟฟ้าหลักสูงเกินไป (ข้อความแสดงขึ้นบนหน้าจอ)	▶ ให้ช่างไฟฟ้าที่ผ่านการรับรองตรวจสอบการติดตั้งระบบไฟฟ้าบ้าน
อุปกรณ์ชาร์จไม่อยู่ในช่วงอุณหภูมิที่กำหนด (ข้อความแสดงขึ้นบนหน้าจอ)	▶ ปิดเครื่องตามอุณหภูมิของอุปกรณ์: หลีกเลี่ยงไม่ให้โดนแสงแดดโดยตรงและปล่อยให้อุปกรณ์ชาร์จเย็นลงอย่างช้าๆ ▶ ปิดเครื่องเมื่ออุณหภูมิต่ำ: ปล่อยให้อุปกรณ์ชาร์จมีอุณหภูมิสูงขึ้นในสภาพแวดล้อมที่อุ่นก่อนการใช้งาน ▶ เซ็นเซอร์อุณหภูมิของอุปกรณ์เกิดข้อผิดพลาด: เปลี่ยนอุปกรณ์ชาร์จ
เบรกเกอร์ในการติดตั้งระบบไฟฟ้าบ้านทำงาน (ข้อความแสดงขึ้นบนหน้าจอ)	▶ ลดกระแสไฟฟ้าในการชาร์จในการตั้งค่าบนอุปกรณ์ชาร์จ ▶ รับทราบข้อความแสดงข้อผิดพลาดที่ปรากฏขึ้น
การหยุดชะงักของการชาร์จจะแสดงขึ้น: ▶ <input checked="" type="radio"/> ปุ่มเพาเวอร์สว่างขึ้นเป็นสีขาว ▶ <input type="radio"/> LED แสดงสถานะจะกะพริบเป็นสีน้ำเงิน ▶ จอแสดงผลเปิดขึ้น	▶ รอจนกว่ารถจะเริ่มชาร์จอีกครั้งโดยอัตโนมัติ ▶ สามารถหยุดการชาร์จจากในรถยนต์

## การขนส่ง

### ⚠ คำเตือน

สัมภาระที่ไม่ได้ยึดไว้

อุปกรณ์ชาร์จที่ไม่ได้ผูกยึด ผูกยึดหรือจัดวางไว้ไม่ถูกต้อง อาจเลื่อนออกจากตำแหน่งและทำให้ผู้ที่อยู่ในรถเป็นอันตรายได้ในระหว่างการเบรก การเร่งเครื่อง การเปลี่ยนทิศทางหรือขณะเกิดอุบัติเหตุ

- ▶ ห้ามขนย้ายอุปกรณ์ชาร์จที่ไม่ได้ผูกยึดไว้
- ▶ ขนย้ายอุปกรณ์ชาร์จไว้ในห้องเก็บสัมภาระเสมอ ห้ามเก็บไว้ในห้องโดยสาร (เช่น บนเบาะนั่งหรือด้านหน้าเบาะนั่ง)

### การยึดอุปกรณ์ชาร์จสำหรับขนย้าย

อุปกรณ์ชาร์จอาจมีหรือไม่มีกล่องขนย้ายให้มา ขึ้นอยู่กับประเภท

- ▶ หากมีกล่องขนย้ายให้มา: ผูกยึดหรือขนย้ายอุปกรณ์ชาร์จไว้ในกล่องเสมอ ยึดกล่องขนย้ายเข้ากับห่วงมัดด้านหน้าและด้านหลังด้วยตะขอ สำหรับข้อมูลเกี่ยวกับห่วงมัดในห้องเก็บสัมภาระ:
  - ▷ โปรดอ้างอิงจากคู่มือผู้ขับขี่
- ▶ หากไม่มีกล่องขนย้ายให้มา: เก็บอุปกรณ์ชาร์จไว้ในห้องเก็บสัมภาระด้านหลังเพื่อขนย้าย
- ▶ เก็บอุปกรณ์ชาร์จในลักษณะที่ไม่ทำอันตรายต่อผู้โดยสารเมื่ออยู่ในสถานการณ์อันตราย ขึ้นอยู่กับประเภท

### การทำความสะอาดและบำรุงรักษา

ตรวจสอบอุปกรณ์ชาร์จเพื่อหาความเสียหายและสิ่งสกปรกอย่างสม่ำเสมอและทำความสะอาดตามความจำเป็น

**⚠️ อันตราย**

ไฟดูด, ไฟไหม้

มีความเสี่ยงที่จะได้รับบาดเจ็บสาหัสหรือถึงแก่ชีวิตจากไฟไหม้หรือไฟดูด

- ▶ ห้ามให้อุปกรณ์ชาร์จหรือปลั๊กจุ่มลงในน้ำหรือฉีดน้ำเข้าใส่โดยตรง (เช่น อุปกรณ์ทำความสะอาดแรงดันสูง หรือสายยางรดน้ำต้นไม้)
- ▶ ทำความสะอาดอุปกรณ์ชาร์จเฉพาะเวลาที่ถอดหน่วยควบคุมออกจากแหล่งจ่ายไฟและออกจากกรงแล้วเท่านั้น ใช้ผ้าแห้งในการเช็ดทำความสะอาด

## การกำจัด

ต้องนำอุปกรณ์ไฟฟ้า/อิเล็กทรอนิกส์ส่งไปที่จุดรวบรวมหรือหน่วยจัดการขยะ

- ▶ อย่าทิ้งอุปกรณ์ไฟฟ้า/อิเล็กทรอนิกส์รวมกับขยะในครัวเรือนทั่วไป
- ▶ กำจัดอุปกรณ์ไฟฟ้า/อิเล็กทรอนิกส์ตามข้อบังคับด้านการปกป้องสิ่งแวดล้อมที่เกี่ยวข้อง
- ▶ หากมีข้อสงสัยเกี่ยวกับการกำจัด โปรดติดต่อตัวแทน Porsche

## ข้อมูลทางเทคนิค

ข้อมูลด้านไฟฟ้า 9Y0.971.675...	BE MCC72E2 A <sup>1)</sup>	BG MCC11E3 A <sup>1)</sup>	BJ MCC22E3 A <sup>1)</sup>
กำลังไฟ	7.2 กิโลวัตต์	11 กิโลวัตต์	22 กิโลวัตต์
อัตรากระแสไฟฟ้า	16 A, 2 เฟส 32 A, 1 เฟส	16 A, 3 เฟส	32 A, 3 เฟส
แรงดันไฟฟ้าหลัก	100 – 240V/400V	100 – 240/400V	100 – 240/400V
เฟส	2/1	3	3
ความถี่ไฟฟ้า	50 Hz/60 Hz	50 Hz/60 Hz	50 Hz/60 Hz
หมวดหมู่ของแรงดันไฟฟ้าเกิน (IEC 60664)	II	II	II
เครื่องตัดไฟรั่วที่ผสมรวม	ประเภท A (AC: 30mA) + DC: 6mA	ประเภท A (AC: 30mA) + DC: 6mA	ประเภท A (AC: 30mA) + DC: 6mA
ระดับการป้องกัน	I	I	I
ระดับการป้องกัน	IP55 (USA: Enclosure 3R)	IP55 (USA: Enclosure 3R)	IP55 (USA: Enclosure 3R)
ย่านความถี่ของการรับส่งสัญญาณ	2.4 GHz, 5 GHz	2.4 GHz, 5 GHz	2.4 GHz, 5 GHz
กำลังในการรับส่งสัญญาณ	20 dBm	20 dBm	20 dBm
ข้อมูลเชิงกล 9Y0.971.675...	BE MCC72E2 A <sup>1)</sup>	BG MCC11E3 A <sup>1)</sup>	BJ MCC22E3 A <sup>1)</sup>
น้ำหนักของหน่วยควบคุม	2.54 กก.		
ความยาวสายของรถ	2.5 ม. หรือ 7.5 ม.		
ความยาวสายไฟ	0.9 เมตร		

ข้อมูลเชิงกลสำหรับอุปกรณ์ชาร์จติดตั้ง- พื้นฐาน 9Y0.971.675...	BE MCC72E2 A <sup>1)</sup>	BG MCC11E3 A <sup>1)</sup>	BJ MCC22E3 A <sup>1)</sup>
ขนาดของอุปกรณ์ชาร์จติดตั้งพื้นฐาน	385 มม. x 135 มม. x 65 มม. (ยาว x กว้าง x สูง)		
น้ำหนักของอุปกรณ์ชาร์จติดตั้งพื้นฐาน	ประมาณ 0.45 กก.		
คู่มือสายเคเบิลขนาด	127 มม. x 115 มม. x 139 มม. (ยาว x กว้าง x สูง)		
น้ำหนักของตัวนำสาย	ประมาณ 0.42 กก.		
ขนาดสายรัดข้อต่อ	136 มม. x 50 มม. x 173 มม. (ยาว x กว้าง x สูง)		
น้ำหนักของสายรัดข้อต่อ	ประมาณ 0.14 กก.		
น้ำหนักของอุปกรณ์ชาร์จติดตั้งพื้นฐาน- หิ้งชุด	ประมาณ 1 กก.		
<p><sup>1)</sup> A หมายถึง การเปลี่ยนแปลงการออกแบบที่รอดำเนินการ และสามารถเป็นตัวอักษรใดก็ได้</p>			
ข้อมูลเชิงกลสำหรับแท่นชาร์จ 9Y0.971.675...	BE MCC72E2 A <sup>1)</sup>	BG MCC11E3 A <sup>1)</sup>	BJ MCC22E3 A <sup>1)</sup>
ขนาดของแท่นชาร์จ	373 มม. x 642 มม. x 232 มม. (กว้าง x ยาว x ลึก)		
น้ำหนักของแท่นชาร์จ	ประมาณ 9.7 กก.		
สภาพแวดล้อมและสภาพการจัดเก็บ 9Y0.971.675...	BE MCC72E2 A <sup>1)</sup>	BG MCC11E3 A <sup>1)</sup>	BJ MCC22E3 A <sup>1)</sup>
อุณหภูมิแวดล้อม	-30 °C ถึง +50 °C		
ความชื้น	5% – 95% ไม่ควบแน่น		
ระดับความสูง	สูงสุด 5,000 ม. เหนือระดับน้ำทะเล		

## ข้อมูลทางเทคนิค

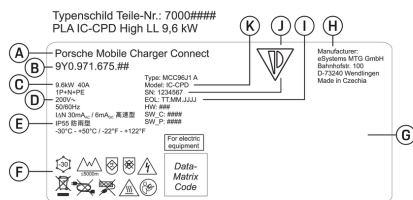
1) A หมายถึง การเปลี่ยนแปลงการออกแบบที่รอดำเนินการ และสามารถเป็นตัวอักษรใดก็ได้



03725-21-12707

Este equipamento opera em caráter secundário, isto é, não tem direito à proteção contra interferência prejudicial, mesmo de estações do mesmo tipo, e não pode causar interferência a sistemas operando em caráter primário. Para maiores informações, consulte o site da ANATEL [www.anatel.gov.br](http://www.anatel.gov.br)

## แผ่นป้ายชื่อ



รูป. 318: แผ่นป้ายเลขประจำตัว (ตัวอย่าง)

- A ชื่อผลิตภัณฑ์
- B หมายเลขรายการ
- C กำลังไฟและอัตรากระแสไฟฟ้า
- D แรงดันไฟฟ้าหลัก
- E ระดับการป้องกัน
- F สัญลักษณ์สำหรับการทำงาน
- G ข้อมูลการรับรอง
- H บริษัทผู้ผลิต

- I วันที่ผลิต
- J หมายเลขซีเรียล
- K การกำหนดประเภท

## ข้อมูลการผลิต

### วันที่ผลิต

วันที่ผลิตอุปกรณ์ชาร์จจะอยู่บนแผ่นป้ายเลขประจำตัวหลังตัวย่อ "EOL i.O."  
โดยจะแสดงในรูปแบบต่อไปนี้: วันที่ผลิต.เดือนที่ผลิต.ปีที่ผลิต

## บริษัทผู้ผลิตอุปกรณ์ชาร์จ

eSystems MTG GmbH  
Bahnhofstraße 100  
73240 Wendlingen  
เยอรมนี

## การทดสอบทางไฟฟ้า

ในกรณีที่มึคำถามเกี่ยวกับการทดสอบระบบไฟฟ้าตามปกติของโครงสร้างพื้นฐานการชาร์จ (เช่น VDE 0702) สามารถหาข้อมูลได้ที่ <https://www.porsche.com/international/accessoriesandservice/porscheservice/vehicleinformation/documents/> หรือติดต่อตัวแทน Porsche

## คำประกาศเรื่องความปลอดภัย

อุปกรณ์ชาร์จมีระบบวิหตุ  
โดยผู้ผลิตอุปกรณ์วิหตุนี้ประกาศว่าอุปกรณ์ดังกล่าวสอดคล้องกับข้อกำหนดด้านการใช้งานตาม Directive 2014/53/EU  
สามารถอ่านประกาศความปลอดภัยของสหภาพยุโรปฉบับสมบูรณ์ได้ที่เว็บไซต์:

▶ <http://www.porsche.com/international/accessoriesandservice/porscheservice/vehicleinformation/documents>

## ผู้นำเข้า

### Abu Dhabi: Ali & Sons Co. L.L.C

Porsche Centre Abu Dhabi  
Zayed 2nd Street  
Abu Dhabi  
United Arab Emirates  
P.O. Box 915  
โทรศัพท์: +971 2 619 3911

### Dubai: Al Nabooda Automobiles L.L.C

Porsche Centre Dubai  
Sheikh Zayed Road E11  
Dubai  
United Arab Emirates  
P.O. Box 10773  
โทรศัพท์: +971 4 305 8555



**Great Britain**

Singapore 069046

**UK  
CA**

Porsche Cars Great Britain Ltd.

Bath Road

Calcot, Reading, Berkshire

RG31 7SE

United Kingdom

**Russland**

Porsche Russia

Ленинградское шоссе дом 71А, строение 10

125445, Москва, Россия

โทรศัพท์: +7-495-580-9911

**Singapur: Porsche Singapore**

Porsche Asia Pacific Pte Ltd

20 McCallum Street #12-01

Tokyo Marine Centre

## ดัชนี

## ก

กระบวนการชาร์จ	
การใช้พลังงาน.....	628
กำลังดู.....	628
กระบวนการชาร์จในปัจจุบัน.....	623
การกำจัด.....	639
การกำหนดค่าเซิร์ฟเวอร์ DNS.....	629
การกำหนดค่าที่อยู่ IPv4.....	628
การขायอุปกรณ์ชาร์จ.....	610
การจับคู่โปรไฟล์ผู้ใช้.....	622, 630
การจับคู่ Porsche ID.....	622
การจำกัดกระแสไฟในการชาร์จ.....	626
การชาร์จ	
การสตาร์ท.....	625
การหยุดชั่วคราว.....	625
สิ้นสุด.....	625
การเชื่อมต่อ	
ปุ่มจับคู่ PLC.....	621
รหัสรักษาความปลอดภัย PLC.....	621
ฮอตสปอต.....	622
Energy manager.....	622
WiFi.....	621
การเชื่อมต่อเครือข่าย	
ฮอตสปอต.....	629
Powerline Communication (PLC).....	629
WiFi.....	629
การใช้งานที่เหมาะสม.....	608
การใช้พลังงานทั้งหมด	
กระบวนการชาร์จในปัจจุบัน.....	623
การใช้พลังงานระหว่างกระบวนการชาร์จ.....	623
การตรวจสอบสายดิน	
การปิดใช้งาน.....	626
การเปิดใช้งาน.....	627
การต่อหน่วยควบคุมเข้ากับแท่นชาร์จ.....	634
การตั้งค่าการเตือนให้ป้อน PIN.....	622
การติดตั้งสายรัดข้อต่อ.....	614
การติดตั้งอุปกรณ์ชาร์จติดตั้งผนังพื้นฐาน.....	614

การถอดหน่วยควบคุมออกจากแท่นชาร์จ.....	634
การทำความสะอาด.....	638
การบำรุงรักษา.....	638
การปรับกระแสไฟในการชาร์จ.....	622
การป้องกันอุปกรณ์.....	622
การป้องกันเบาะซี.....	630
การเปลี่ยนสายไฟและสายของรถ.....	620
การยึดสำหรับการขนย้าย.....	637
การล็อกอินเข้าอุปกรณ์ชาร์จ.....	623
การเลือกเครือข่าย.....	621
การเลือกตำแหน่งการติดตั้ง.....	613
การส่งข้อมูล.....	621
การส่งออกข้อมูลประวัติการชาร์จ.....	628
การอัปเดตซอฟต์แวร์.....	621
กำลังไฟในการชาร์จ	
กำลังดู.....	623

## ข

ขนย้าย การยึดอุปกรณ์ชาร์จ.....	637
ข้อมูลการเข้าใช้งาน.....	609
เว็บแอปพลิเคชัน.....	610
หมายเลขซีเรียลของเครื่องชาร์จ.....	610
ข้อมูลการเข้าใช้งานสูญหาย.....	609
ข้อมูลการผลิต.....	642
ข้อมูลความเป็นส่วนตัวของข้อมูล.....	606
ข้อมูลทางเทคนิค	
ข้อมูลต้นกลไก.....	640
ข้อมูลต้นไฟฟ้า.....	640
สภาพแวดล้อมและการเก็บรักษา.....	640
ข้อมูลเพิ่มเติม.....	606

## ค

ความผิดปกติ.....	635
คำแนะนำในการใช้งาน.....	624
คำแนะนำเพื่อความปลอดภัย.....	607
คำประกาศเรื่องความปลอดภัย.....	642
เครือข่ายภายในบ้าน.....	621
ชื่อโฮสต์.....	628
ที่อยู่ IP.....	628

## เครือข่าย WiFi

การจัดการ.....	629
การถอด.....	629
กำลังเชื่อมต่อ.....	629
เครือข่ายที่ไม่รู้จัก.....	629
เครื่องชาร์จ	
รหัสผ่านเริ่มต้น.....	609
สัญลักษณ์.....	606
เครื่องมือ.....	614
เครื่องมือที่จำเป็น.....	614
โครงสร้างของประกาศแจ้งเตือน.....	604

## จ

จากคู่มือผู้ขับขี่	
ข้อมูลความเป็นส่วนตัวของข้อมูล.....	606
ข้อมูลเพิ่มเติม.....	606

## ช

ชื่อโฮสต์.....	628
----------------	-----

## ด

ตัวเลือกการควบคุม.....	612
ตัวแสดงผล	
แถบเมนู.....	612
แถบสถานะ.....	611
นำทาง.....	612
ภาษาและประเทศ.....	621
ติดตั้งแท่นชาร์จ	
การติดตั้งโดยใช้สเปเซอร์.....	615
การติดตั้งโดยไม่ใช้สเปเซอร์.....	616

## ท

ที่อยู่ IP.....	628
แท่นชาร์จ.....	634
การปลดล็อก.....	634
การปิด.....	634
การเปิด.....	634
ล็อก.....	634

**บ**

บริษัทผู้ผลิต..... 642

**ป**

ผู้ช่วยการตั้งค่า..... 623

ผู้นำเข้า..... 642

แผ่นป้ายชื่อ..... 642

**พ**

พอร์ตชาร์จรถ..... 625

**ภ**

ภาษาและประเทศ..... 621

**ร**

ระยะเวลาในการชาร์จ..... 625

เริ่ม..... 621

**ว**

วันที่ผลิต..... 642

เว็บแอปพลิเคชัน

การเปิด..... 627

การเริ่มใช้งาน..... 623

เปลี่ยนรหัสผ่าน..... 610

รหัสผ่านเริ่มต้น..... 610

รหัสผ่านสูญหาย..... 610

ซอตสปอต..... 627

WiFi..... 627

**ส**

สถานะในการชาร์จ..... 623

สัญลักษณ์..... 606

สัญลักษณ์ในคู่มือผู้ขับขี่..... 604

สายชาร์จ

ประเภทสายเคเบิลและขั้วต่อ..... 616

สายชาร์จรถ

ประเภทสายเคเบิลและขั้วต่อ..... 616

สายไฟ..... 616

การถอด..... 620

การยึด..... 621

เต้ารับไฟฟ้าที่ใช้ในอุตสาหกรรม..... 618

เต้ารับไฟฟ้าที่ใช้ภายในบ้าน..... 618

**ห**

หน่วยควบคุม..... 611

ตัวแสดงผล..... 611

ภาพรวมการเชื่อมต่อ..... 610

ยึดติดกับผนัง..... 615

หมายเลขซีเรียล..... 642

หมายเลขซีเรียลของอุปกรณ์ชาร์จ..... 610

หมายเลขรายการของอุปกรณ์ชาร์จ..... 640

**อ**

อุปกรณ์ชาร์จ

กำลังเชื่อมต่อ..... 627

กำลังไฟในการชาร์จ..... 623

สถานะของอุปกรณ์..... 623

สถานะในการชาร์จ..... 623

อุปกรณ์ที่ให้มา..... 609

**ซ**

ซอตสปอต..... 622

การตั้งค่า..... 629

**E**

Energy manager..... 622

การเติม..... 630

การปรับกระแสไฟฟ้าในการชาร์จ..... 622

จับคู่..... 630

**P**

PIN และ PUK

การสูญเสีย..... 610

เปลี่ยนรหัสผ่าน..... 610

Porsche ID..... 610